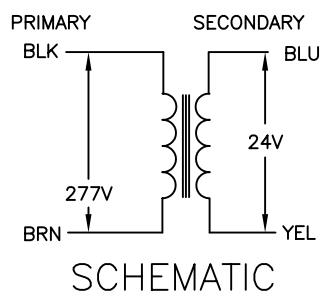
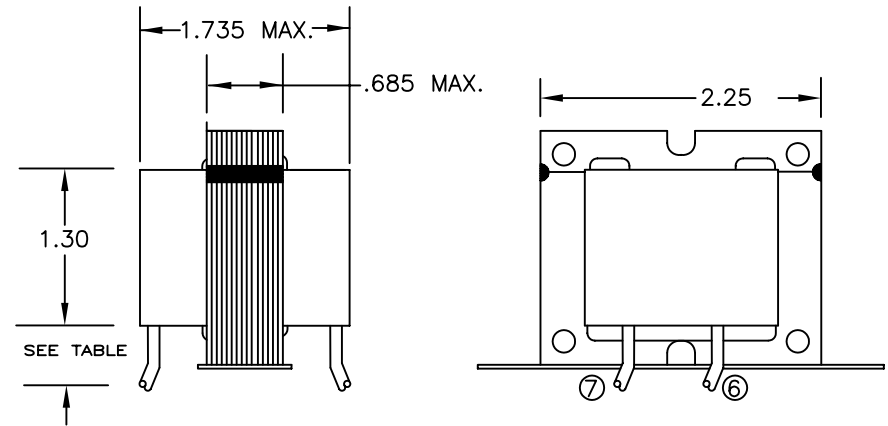
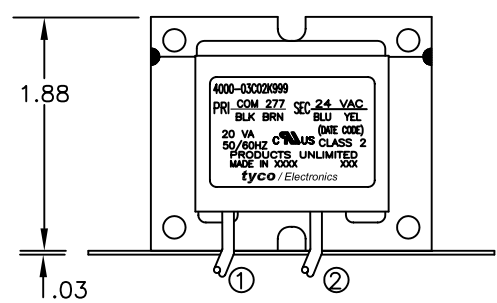


ALL LEADS 18AWG—UNLESS OTHERWISE SPECIFIED						NOTES		CERTIFICATION:UL/CUL FILE NO E87824				
PRIMARY						1. DIMENSIONS FOR REFERENCE ONLY.		SECONDARY				
LEAD NO.						2. WINDING PROTECTION—INHERENTLY LIMITING		LEAD NO.	6	7	8	9
VOLTAGE	1	2	3	4	5		VOLTAGE	24	VAC			
COLOR	COM	277					COLOR	BLU	YEL			
LENGTH	12.0	12.0					LENGTH	12.0	12.0			
STRIP LENGTH	.50	.50					STRIP LENGTH	.50	.50			



TYCO PART NUMBER
 6-1672104-1

THIS DRAWING IS A CONTROLLED DOCUMENT.		DWN	K.H.	13AUG03	 Tyco Electronics Corporation Harrisburg, PA 17105-3608	
DIMENSIONS: INCHES		CHK	DH	13AUG03		
TOLERANCES UNLESS OTHERWISE SPECIFIED:		APVD	HT	13AUG03		
0 PLC ± - 1 PLC ± - 2 PLC ± - 3 PLC ± - 4 PLC ± - ANGLES ± -		NAME		PRODUCT SPEC		
MATERIAL		FINISH		APPLICATION SPEC	TRANSFORMER OUTLINE P.U. STOCK	
-		-		WEIGHT		
		CUSTOMER DRAWING		SCALE	1:1	
		SIZE		A3	CAGE CODE	00779
		DRAWING NO		C=4000-03C02K999		RESTRICTED TO
		SHEET		1	OF	1
		REV		0		