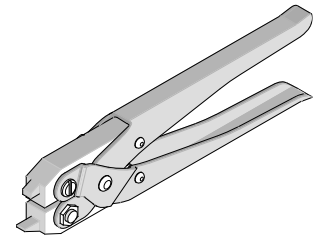


**VHDM® and \*HDM®  
Joiner / Ground  
Insertion Tool**



**Application Tooling  
Specification Sheet**



**Order No. 62100-3800**

**FEATURES**

A pliers-type tool used in the insert joiner and ground modules, which reduces replacement costs  
Lightweight manual tool that is easy to use

**SCOPE**

Products 2.00mm (.079") Pitch, VHDM® and VHDM-HSD™\* Joiner and Ground Modules, 5, 6 and 8 Row,  
\*HDM® Joiner and Ground Modules.

\*Note VHDM® and VHDM-HSD™ are registered trademarks of Amphenol Corporation.

**Product List**

The following is a partial list of the product order numbers and their specifications this tool is designed to run.  
Updates to this list are available on [www.molex.com](http://www.molex.com).

Order No.	Description
73773-0010	HDM® Joiner Module
73773-0020	HDM® Joiner Module
73773-1000	HDM® Daughtercard Ground
74039-0003	VHDM-GbX® Joiner Left Joiner Module
74039-0004	VHDM-GbX® Right Joiner Module
74039-1000	VHDM® RA Male Grounded Guide Module
74039-1200	VHDM® RA Male Grounded Guide Module
74039-1500	VHDM® 6 Row Right Angle Male Joiner
74039-2008	VHDM® Joiner For EMC
74039-2108	VHDM® 6 Row 8mm Die Cast
74039-5008	HSD 5 Row 8mm Ground
74039-5010	HSD 5 Row 10mm Joiner
74039-5011	HSD 5 Row 10mm Joiner
74039-5208	HSD 5 Row 8mm Die Cast Guide Module
74039-5218	HSD 5 Row 8mm Die Cast Guide Module
74039-5228	HSD 5 Row 8mm Die Cast Guide Module
74039-5238	HSD 5 Row 8mm Die Cast Guide Module
74039-5248	HSD 5 Row 8mm Die Cast Guide Module
74039-5258	HSD 5 Row 8mm Die Cast Guide Module
74039-5268	HSD 5 Row 8mm Die Cast Guide Module
74039-5278	HSD 5 Row 8mm Die Cast Guide Module
74039-5288	HSD 5 Row 8mm Die Cast Guide Module
74039-5308	HSD 5 Row Die cast Guide Module
74039-5318	HSD 5 Row Die cast Guide Module
74039-5328	HSD 5 Row Die cast Guide Module
74039-5338	HSD 5 Row Die cast Guide Module
74039-5348	HSD 5 Row Die cast Guide Module
74039-5358	HSD 5 Row Die cast Guide Module

Order No.	Description
74039-5368	HSD 5 Row Die cast Guide Module
74039-5378	HSD 5 Row Die cast Guide Module
74039-5388	HSD 5 Row Die cast Guide Module
74039-5908	HSD 5 Row 8mm Ground Module
74039-5909	HSD 5 Row 8mm Ground Module
74039-6006	VHDM®6 Row 6mm Joiner
74039-6008	VHDM/HSD™ Guide/Ground Die Cast
74039-6010	VHDM® 6 Row 10mm Joiner
74039-6011	VHDM® 6 Row 10mm Joiner
74039-6014	VHDM® DC 6 Row 14mm Joiner
74039-6015	VHDM® 6 Row 14mm Joiner
74039-6110	VHDM® 6 Row 10mm Joiner
74039-6111	VHDM 6Row 10mm Joiner
74039-6210	VHDM® 6 Row 10mm Joiner
74039-6211	VHDM® 6 Row 10mm Joiner
74039-6506	VHDM® 6 Row 6mm Ground
74039-6606	VHDM® 6 Row Joiner/Ground Module
74039-6806	VHDM® 6 Row 6mm Ground Module
74039-6906	VHDM® 6 Row 6mm Ground Assy
74039-6908	VHDM/HSD™ 6 Row 8mm Ground Assy
74039-8006	VHDM® 8 Row 6mm Joiner/Ground Module
74039-8010	VHDM® DC Joiner 8 Row 10mm
74039-8011	VHDM® 8 Row Joiner
74039-8014	VHDM® 8 Row 14mm Joiner
74039-8015	VHDM® 8 Row 14mm Joiner
74039-8506	VHDM® 8 Row 6mm Joiner/Ground Module
74039-8606	VHDM® 8 Row Joiner/Ground Module
74039-8708	VHDM® 8 Row DC Self Ground Module

Order No.	Description
74039-8808	VHDM® 8 Row DC Self Ground Module
74039-8906	VHDM® 8 Row 6mm Ground Assy
74039-8907	VHDM® 8 Row 6mm Ground Module

Order No.	Description
74039-8908	VHDM® 8 Row 8mm Ground Assy
74039-8978	VHDM® 8 Row 8mm Ground Assy

**Description:**

The VHDM® and \*HDM® Joiner / Ground Insertion Tool is a simple pliers type tool for loading HDM® joiner and ground modules (73773 Series) or VHDM® joiner/ground modules (74039- Series) into stiffener rails.

It measures approximately 203mm (8 in.) long by 76mm (3 in.) wide (closed) by 25mm (1 in.) thick and weighs .48 kg (1 lb).

**OPERATION:**

**For Short and Medium Length HDM® and VHDM® Modules Assemblies:**

1. Place the desired joiner or ground module into the proper location on the HDM® or VHDM® stiffener.
2. Squeezing lightly with your fingers, press into position.
3. Position the Insertion Tool over the module and stiffener assembly with the long jaw of the tool over the module and the short jaw over the stiffener. See Figure 1.
4. Squeeze the grips of the insertion tool firmly until the module is completely seated.
5. See the VHDM® and VHDM-HSD™ Operation Manual (Order No. TM-622010999), for additional information and repair tools.

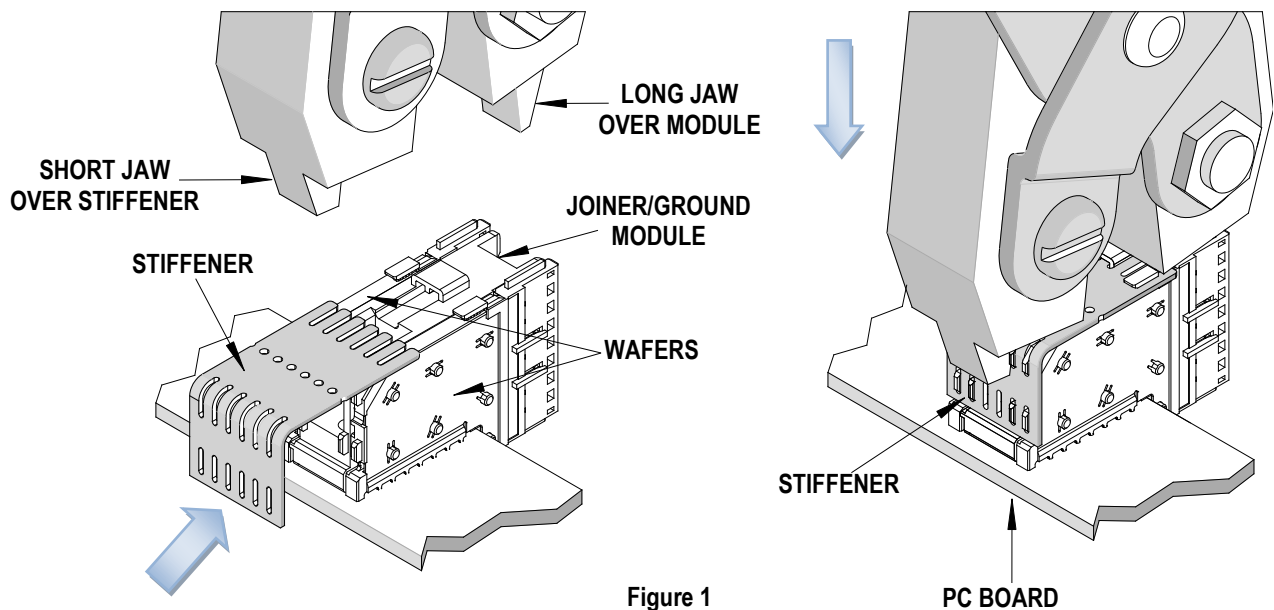


Figure 1

**For Longer VHDM® Modules Assemblies:**

1. Locate the desired joiner or ground module into the proper location on the HDM® or VHDM® stiffener.
2. Squeezing lightly with your fingers, press into position.
3. Position the Insertion Tool over the module and stiffener assembly with the long jaw of the tool against the back of the stiffener and the short jaw against the top portion of the module where it attaches to the stiffener. See Figure 1.

4. Keeping the tool parallel to the assembly, squeeze the grips of the insertion tool firmly to seat the module.
5. See the VHDM® and VHDM-HSD™ Operation Manual (Order No. TM-622010999), for additional information and repair tools.

## Maintenance

It is recommended that each operator of the tool be made aware of, and responsible for, the following maintenance steps:

1. Remove dust, moisture, and other contaminants with a clean brush, or soft, lint free cloth.
2. Do not use any abrasive materials that could damage the tool.
3. Make certain all pins; pivot points and bearing surfaces are protected with a thin coat of high quality machine oil. Do not oil excessively.
4. When tool is not in use, store in a clean, dry area.
5. There are no repair parts available for this tool. Should the tool be damaged a new tool is required.

**CAUTION:** Molex specifications are valid only when used with Molex connectors and tooling.

## Contact Information

For more information on Molex application tooling please contact Molex at 1-800-786-6539.

Visit our Web site at <http://www.molex.com>