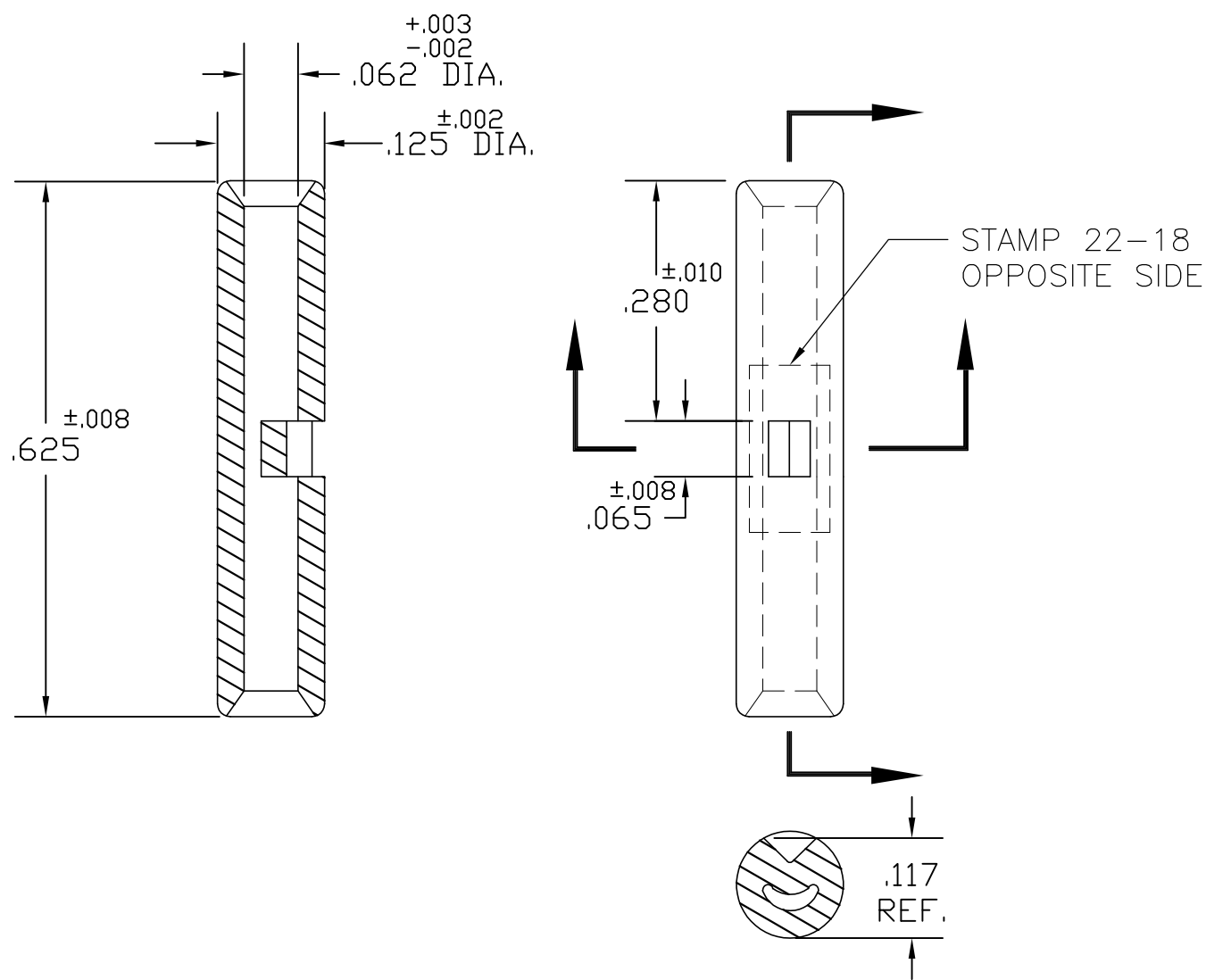


THIS DRAWING IS UNPUBLISHED. RELEASED FOR PUBLICATION
 © COPYRIGHT - BY TYCO ELECTRONICS CORPORATION. ALL RIGHTS RESERVED.

LOC	DIST	REVISIONS			
P	LTR	DESCRIPTION	DATE	DWN	APVD
G	86	B	REVISED PER ECR-09-012883	25JUN09	HMR TM



ACTIVE	18B-003	STD	TIN PLATE	1527488-2
-	-	-	-	-
STATUS	AET P/N	PACKAGING	FINISH	PART NUMBER

THIS DRAWING IS A CONTROLLED DOCUMENT.		DWN JR RUTH 22FEB02	Tyco Electronics Corporation Harrisburg, PA 17105-3608	
DIMENSIONS: INCHES		CHK MJ SPICER 22FEB02	NAME SEAMLESS BUTT CONNECTOR 22-18 BARREL	
TOLERANCES UNLESS OTHERWISE SPECIFIED:		APVD MJ SPICER 22FEB02	PRODUCT SPEC -	
0 PLC ± -		APPLICATION SPEC -		
1 PLC ± -		SIZE A3		
2 PLC ± -		CAGE CODE 00779		
3 PLC ± -		DRAWING NO C-1527488		
4 PLC ± -		RESTRICTED TO -		
ANGLES ± -		WEIGHT -		
MATERIAL COPPER ASTM B-152	FINISH SEE TABLE	CUSTOMER DRAWING		
		SCALE 1:1		SHEET 1 OF 1
				REV B