

# Type LPC-02 In-Line Fuse Holder 5 x 20mm Fuses



www.optifuse.com (619) 593-5050

**Ratings:**

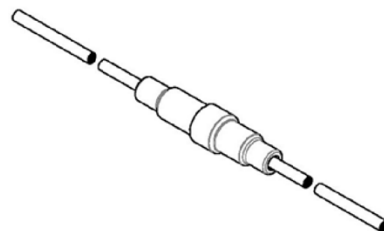
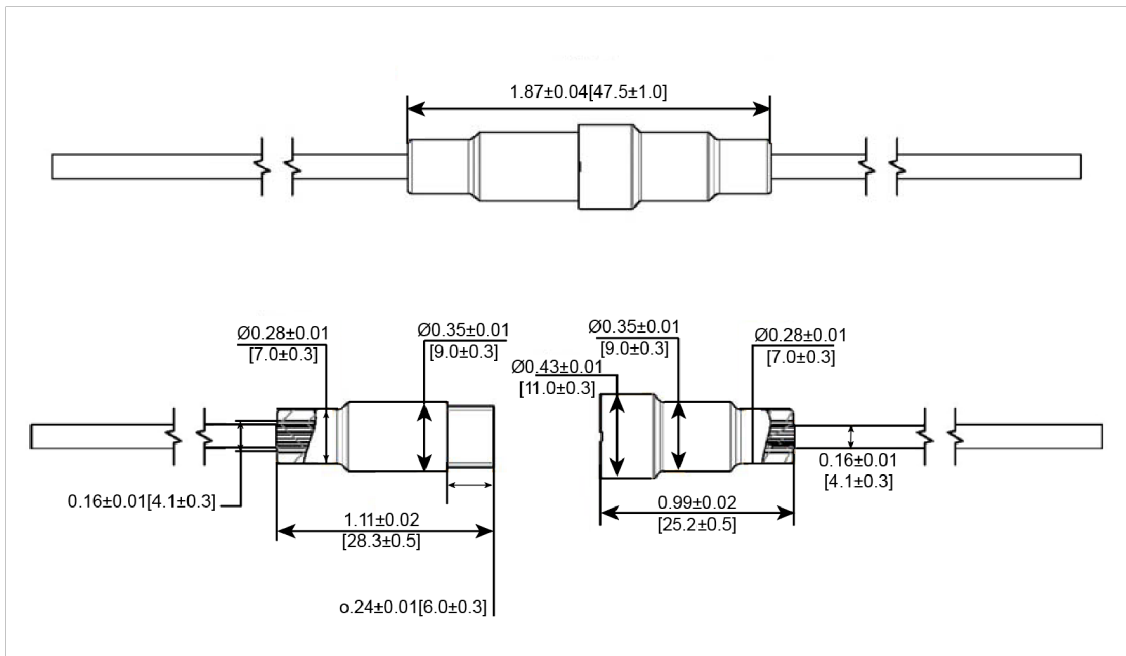
- Fuse Type:** 5 x 20mm
- Electrical Rating:** 10A 250VAC, 10A 32VDC
- Body:** Nylon
- Contacts:** Brass
- Standard Wire Sizes:** #16 AWG (UL1015)
- Standard Wire Colors:** Red
- Standard Body colors:** Black
- Standard Wire Length:** 13 inches (331mm)

**Part number format**

**LPC-02B-##R**  
where ## = Wire gauge

Available in various wire gauges and lengths, and body and wire colors.  
Contact factory for those not listed above.

**Mechanical Dimensions: Inches [mm]**



	<p><b>Warning:</b> -Operation beyond the specified maximum ratings or improper use may result in damage and possible electrical arcing and/or flame.</p>
	<p>-Avoid contact of device with chemical solvent. Prolonged contact may damage the device performance.</p>