

# CKCN27X5R0J104M045BK

TDK Item Description : CKCN27X5R0J104MT\*\*\*S

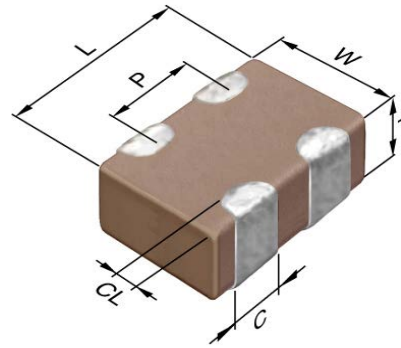


## Application & Main Feature

Commercial Grade ( 2 in 1 Array )

## Series

CKCN27



## Dimensions

L	0.90mm +/-0.05mm
W	0.60mm +/-0.05mm
T	0.45mm +/-0.05mm
C	0.25mm Nom.
P	0.45mm Nom.

## Temperature Characteristic

X5R (-55 to 85 degC +/-15%)

## Rated Voltage

0J (6.3Vdc)

## Capacitance

100nF

## Capacitance Tolerance

M (+/-20%)

## Dissipation Factor

10% Max.

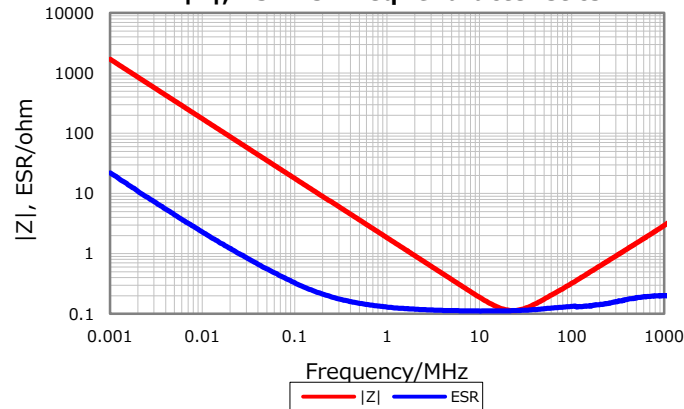
## Insulation Resistance

1Gohm Min

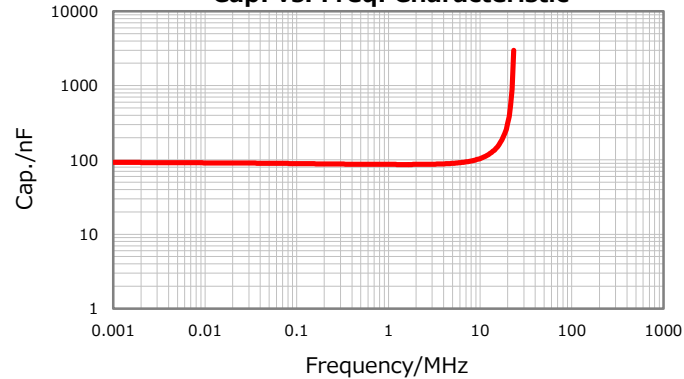
## AEC-Q200

Not Applicable

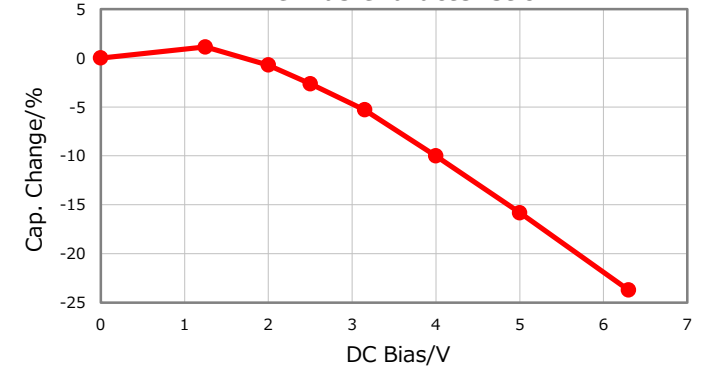
## |Z|, ESR vs. Freq. Characteristics



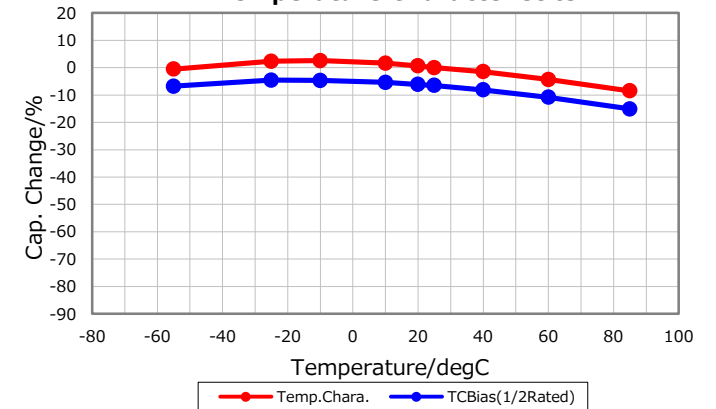
## Cap. vs. Freq. Characteristic



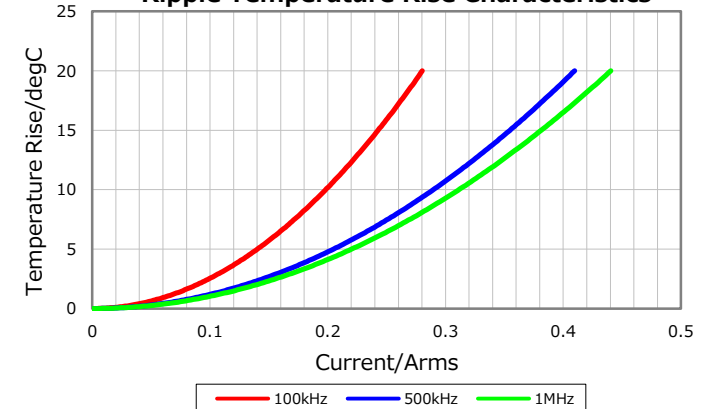
## DC Bias Characteristic



## Temperature Characteristics



## Ripple Temperature Rise Characteristics



Characterization Sheet ( Multilayer Ceramic Chip Capacitors )



All specifications are subject to change without notice.

July 6, 2016