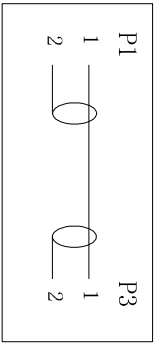
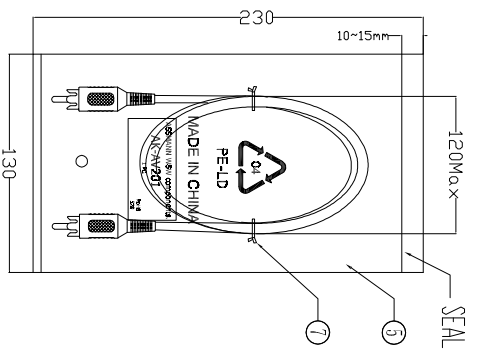


PIN ASSIGNMENT:



Electrical test:  
 1. 100% short, open, miss wire test  
 2. Conduct resistance: 2 Ohm(max)  
 3. Insulation resistance: 5Mohm(min)  
 4. Dielectric test: DC 300V



NO.	NAME	QTY	SPECIFICATION
①	CABLE	1	T.C (100.12+280.12)*1C OD3.0MM JACKET PVC COLOR BLACK
②	CONN	2	RCA PLUG MALE BLOSSOM TYPE NPLATED INSULATOR COLOR: BROWN
③	IN JACKET	1.6g	CLEAR LD-PE (Mould NO.:NM-006)
④	OUT JACKET	6.6g	PVC-40P RED(RED-35)(Mould NO. WM-009)
⑤	TUBE	2	HEAT SHRINK TUBE BLACK OD1.5*10MM
⑥	PE BAG	1	CLEAR PRINT BLACK/MADE IN CHINA *1PC"
⑦	TIE	2	BLACK L=80mm

RoHS compliant  
 Unit: mm

Scale	Free	Id.	Modification	Date	Name	Date	Name	Customer-No.
TOLERANCE		①	Drawn	15.03.2017	Tom	15.03.2017	Tom	ASSMANN WSW-No.
								AK-AV201
DIM	TOL							
Angle	TOL							

**ASSMANN**  
 WSW components

Drawing-No. ASS 8221 CA rev00  
 Replace Sheet

1	2	3	4	5	6	7
1	2	3	4	5	6	7
H	G	F	E	D	C	B