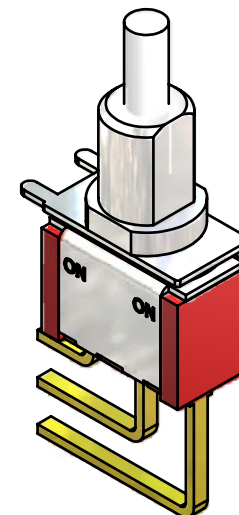
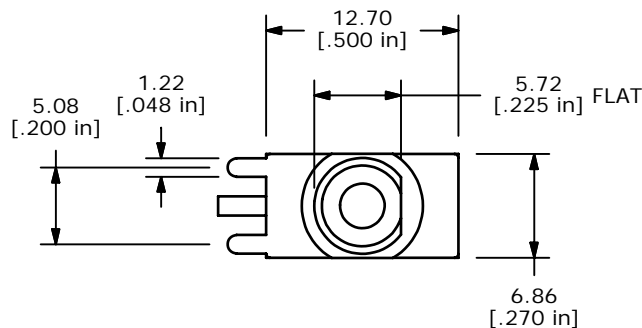
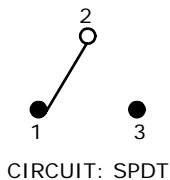
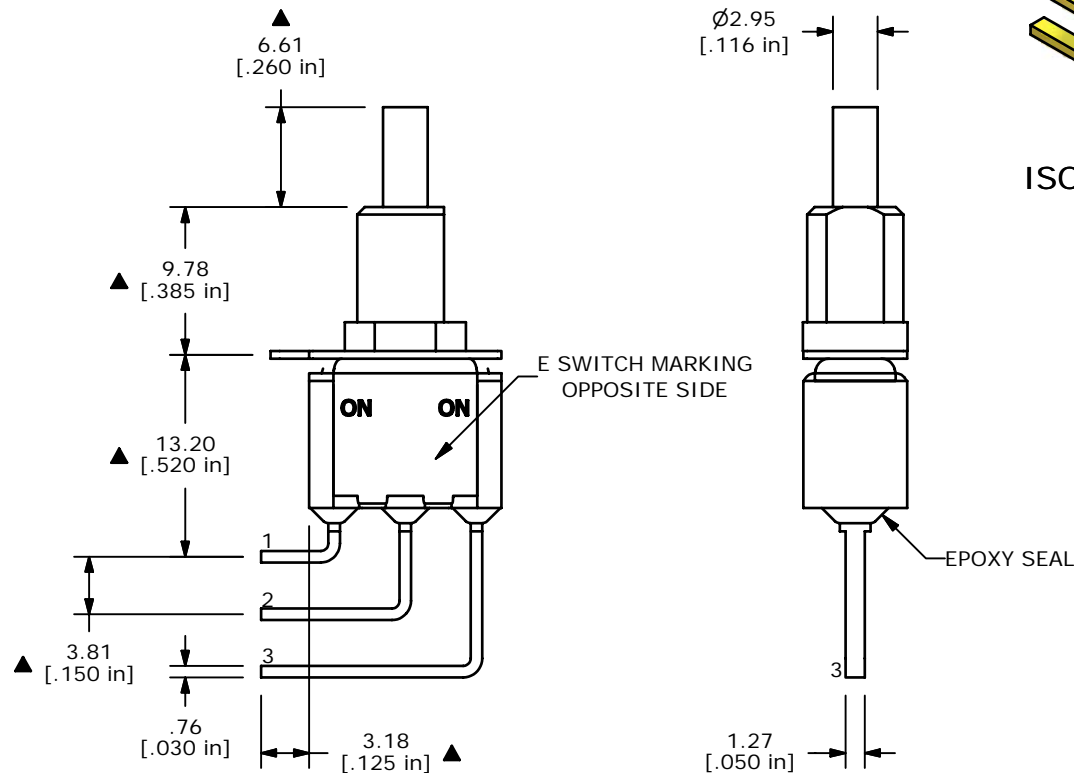


P.C. MOUNTING

SWITCH FUNCTION	
POS. 1	POS. 2
ON	ON
1-2	2-3



ISOMETRIC



NOTE:

1. ALL DIMENSIONS IN MM [INCH]
2. GENERAL TOLERANCE: X.X=±0.4
X.XX=±0.25
3. TERMINAL NUMBERS FOR REF ONLY
- ▲4. PLATING MATERIAL: SILVER
5. RATING: 3A @120VAC OR 28VDC
1A @250VAC
6. ELECTRIC LIFE: 50,000 MAKE-AND-BREAK CYCLES.
7. INSULATION RESISTANCE: 1,000 MEGA-OHM MIN.
8. DIELECTRIC STRENGTH: 1,000 V RMS @SEA LEVEL.
9. OPERATING TEMP.: -30°C to 85°C
10. ▲ DENOTES CRITICAL PARAMETER.
11. 2002/95/EC (ROHS) COMPLIANT
12. PACKAGE: TRAY/ 108 PIECES PER



TITLE 700CSP7B71M7QE

A	17109	RELEASED FOR PRODUCTION	3/16/07	TN
REV	PCR NO	DESCRIPTION	DATE	BY

THE INFORMATION CONTAINED IN THIS DOCUMENT IS PROPRIETARY TO E-SWITCH AND IS NOT TO BE COPIED OR TRANSFERRED

SCALE	DATE	DR	DWG	REV
2:1	3/16/2007	TN	T711075	A