

NOTES:

1. MATERIALS AND FINISHES:
 BODY, WASHER & SHELL - BRASS, SILVER PLATING
 CONTACT - BRASS, GOLD PLATING
 INSULATOR - PTFE, NATURAL
 SPRING - BeCu, NICKEL PLATING
 GASKET - SILICONE RUBBER, RED
 FERRULE - COPPER, SILVER PLATING

2. ELECTRICAL:
 A. IMPEDANCE: 50 OHM

3. MECHANICAL:
 A. DURABILITY: 500 CYCLES MIN.
 B. TEMPERATURE RANGE: -65° C TO +165° C

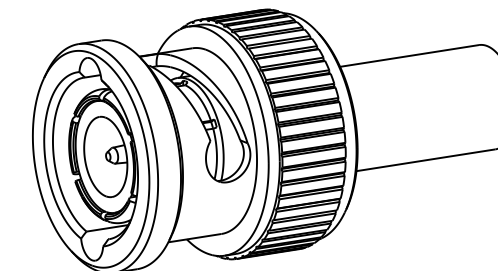
4. PACKAGING:
 A. QUANTITY: SINGLE PACK
 B. MARKING: BAG TO BE MARKED
 "AMPHENOL RF, 31-4427, AND DATE CODE"
5. CABLE ASSEMBLY INSTRUCTIONS:
 A. TRIM CABLE AS SHOWN.
 B. SLIDE FERRULE ON TO THE CABLE.
 C. INSERT CABLE CENTER CONDUCTOR TO CONTACT.
 D. SOLDER CABLE CENTER CONDUCTOR TO CENTER CONTACT.
 E. WHEN CRIMPING CONTACT TO CABLE, CRIMP WITH AMPHENOL TOOL 227-944 (M22520/5-01) AND DIE SET 227-1221-11, CAVITY 'B' (M22520/5-11 CLOSURE 'B'), (0.068" HEX).
 F. INSERT CABLE INTO CONNECTOR WITH BRAID OVER KNURL UNTIL IT BOTTOMS.
 G. CRIMP FERRULE WITH AMPHENOL TOOL 227-944 (M22520/5-01) AND DIE SET 227-1221-11, CAVITY 'A' (M22520/5-11, CLOSURE 'A'), (0.213" HEX).

6. SHOWS CABLE ENTRY DIMENSIONS

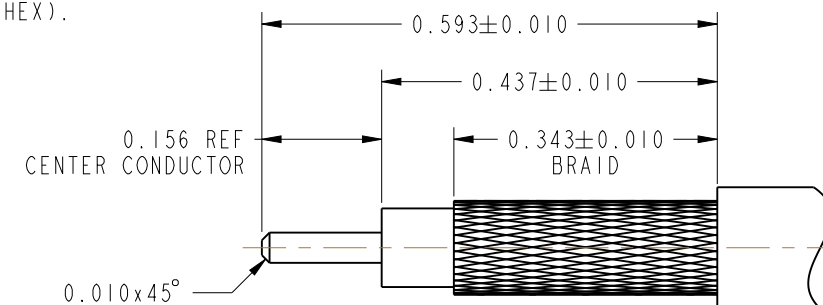
THIRD ANGLE PROJ.

REVISIONS

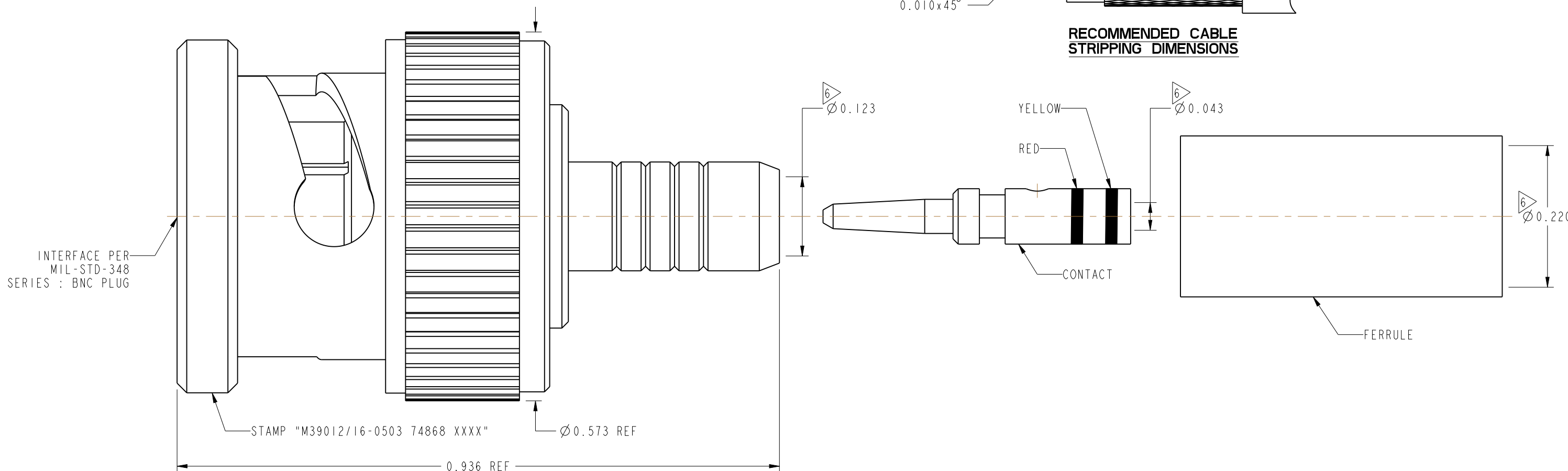
REV	DESCRIPTION	DATE	ECO	APPR
--	RELEASE TO MFG.	--	--	--
W	REDRAWN IN PRO-E, NOTES UPDATED & COD SHEET ADDED	20-Sep-13	49679	RV
Y	FORMAT UPDATED	09-May-16	00562	AAP
AA	INSULATOR UPDATED	6/1/16	00883	MR



SCALE 2.200



RECOMMENDED CABLE STRIPPING DIMENSIONS



CUSTOMER OUTLINE DRAWING

ALL OTHER SHEETS ARE FOR INTERNAL USE ONLY

THIS CONNECTOR IS COVERED BY U.S. PATENT 3,336,563.

MIL-C-39012 INSPECTION

UNLESS OTHERWISE SPECIFIED, DIMENSIONS ARE IN INCHES AND TOLERANCES ARE: 2 PLACE DECIMAL ±.015 (0,381 mm) 3 PLACE DECIMAL ±.005 (0,127 mm) ANGLES ± 1°	MATERIAL	DRAWN	DATE	TITLE BNC STR PLUG MIL-CRIMP (CATEGORY D) FOR RG 142 & 400/U CABLE	Amphenol RF www.amphenolrf.com	
	SEE NOTES	RAJAVIJAYAN S	09-Aug-13			
NOTICE - These drawings, specifications, or other data (1) are, and remain the property of Amphenol corp. (2) must be returned upon request; and (3) are confidential and not to be disclosed to any person other than those to whom they are given by Amphenol Corp. the furnishing of these drawings, specifications, or other data by Amphenol Corp., or to any other person to anyone for any purpose is not to be regarded by implication or otherwise in any manner licensing, granting rights to permitting such holder or any other person to manufacture, use or sell any product, process or design, patented or otherwise, that may in any way be related to or disclosed by said drawings, specifications, or other data.	REFERENCE	ENGINEER	DATE	SCALE: 6.4:1.0 SHEET 2 OF 2	DRAWING NO.31-4427 ITEM NO.31-4427	
	MIL-C-39012/16-0503	D.ROYCE	28-Mar-91			
	CONFIGURATION LEVEL: In Work	APPROVED	DATE		DWG SIZE	REV
FINISH	K. CAPOZZI	6/1/16		B	AA	
						PART NO.31-4427