



CUSTOMER : \_\_\_\_\_  
DESCRIPTION: AC ADAPTOR  
MODEL NO. : DP48-1201000  
DAVID NO. : C169-75  
ISSUE DATE : 2010/04/08  
ISSUE EDITON : A1

## FOR APPROVAL SHEET

<p>1. According to our ISO-9002 system, We cannot process your P.O before you approve this specification by signing, stamping and returning the “Declaration of approval” Section of this page.</p> <p>2. This document is property of System Connection Inc is prepared for the use of _____. Disclosure or distribution of part or whole of this document without the written permission of System Connection Inc is strictly prohibited.</p>	
<p>The whole specification including this and the following pages have been carefully studied and accepted and approved by us with no query.</p> <p>Page 2: Electrical Specification Page 3: Mechanical drawing Page 4: Construction Drawing Page 5: Materials List Page 6: Label specification Page 7: Package Page 8: Sample test report</p>	<p><u>Client's Declaration of Approval</u></p>
	<p>Authorized Signature &amp; Company</p>
	<p>Name :</p>
	<p>Title :</p>
	<p>Date :</p>

**System Connection Inc.**

441 EAST BAY BLVD. PROVO, UT 84606 USA

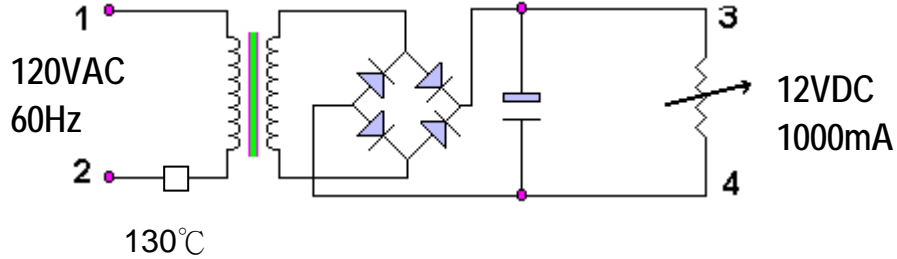
TEL: +001 801-765-9849

# System Connection Inc.

MODEL NO.	DESCRIPTION	DAVID NO.	ISSUE DATE
DP48-1201000	AC ADAPTOR	C169-75	2010/04/08

1. Part: EI-48

2. Current Diagram:



3. Construction:

- 3.1 Surface: Damage. Rusting. Foam (Flow or Air) not Permitted.
- 3.2 Lead tension test: Lead must be withstand a pull 1.5 kg for 30 seconds.

4. Characteristics:

- 4.1 Primary rated voltage and frequency: 120 VAC 60 Hz
- 4.2 Secondary rating :with Tolerance ,At Input Voltage 120 VAC, 60 Hz

TEST POINT	Rated Voltage	Rated Current	Voltage Regulation	No Load Voltage
3-4	12VDC $\pm 5\%$	DC 1000mA		17.5VDC MAX

- 4.3 Exciting Current: Input Primary 120 V 60 Hz 80 mA MAX.(No Load)
- 4.4 Hi-Pot test: Apply 1500 VAC 3 mA 60 Seconds between the Primary to Secondary and between Primary to Core.  
Apply 500 VAC , 3 mA 60 Seconds between Secondary to core. .  
Insulation test: 500 V DC 100 M $\Omega$  min, between winding to winding and core.
- 4.5 Humidity test: Temp 25  $\pm$  5 °C relative humidity 91~95 % RH for 6 hours. After Keeping 30 minutes following insulation must be larger than 5.0 M $\Omega$ .
- 4.6 Temperature test: Less than 75 °C for rated test with Resistance method.

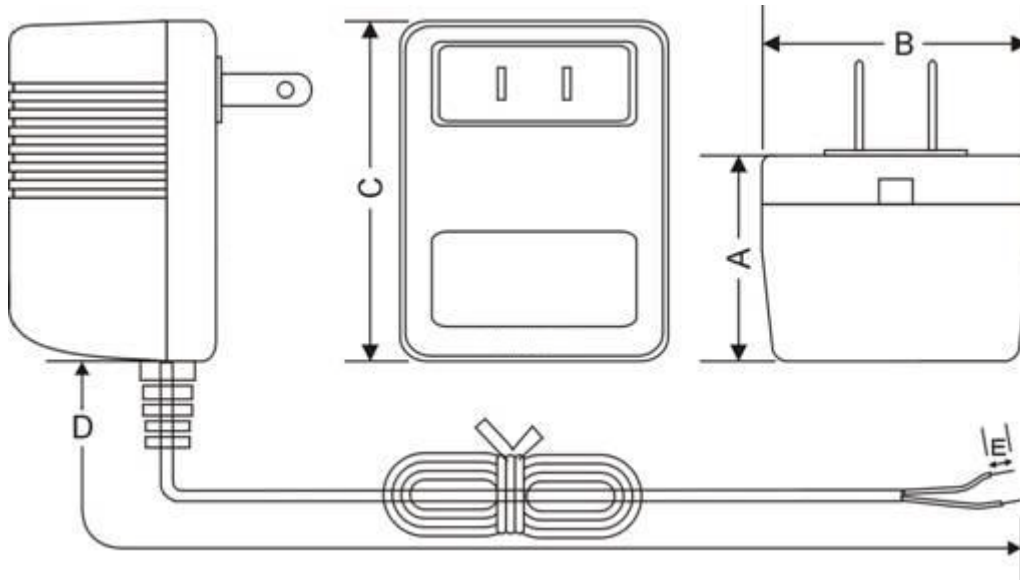
5. Adequate Standard: UL/CUL

APPROVED BY		<p style="font-size: 1.2em; margin: 0;"><b>System Connection Inc.</b></p> <p style="margin: 0;">441 EAST BAY BLVD. PROVO, UT 84606 USA</p> <p style="margin: 0;">TEL: +001 801-765-9849</p>
RECHECKED BY		
CHECKED BY		
REPORTED BY		

# System Connection Inc.

MODEL NO.	DESCRIPTION	DAVID NO.	ISSUE DATE
DP48-1201000	AC ADAPTOR	C169-75	2010/04/08

Enclosure Colour : Black  
 DC Cord Colour : Black



**NOTE:**

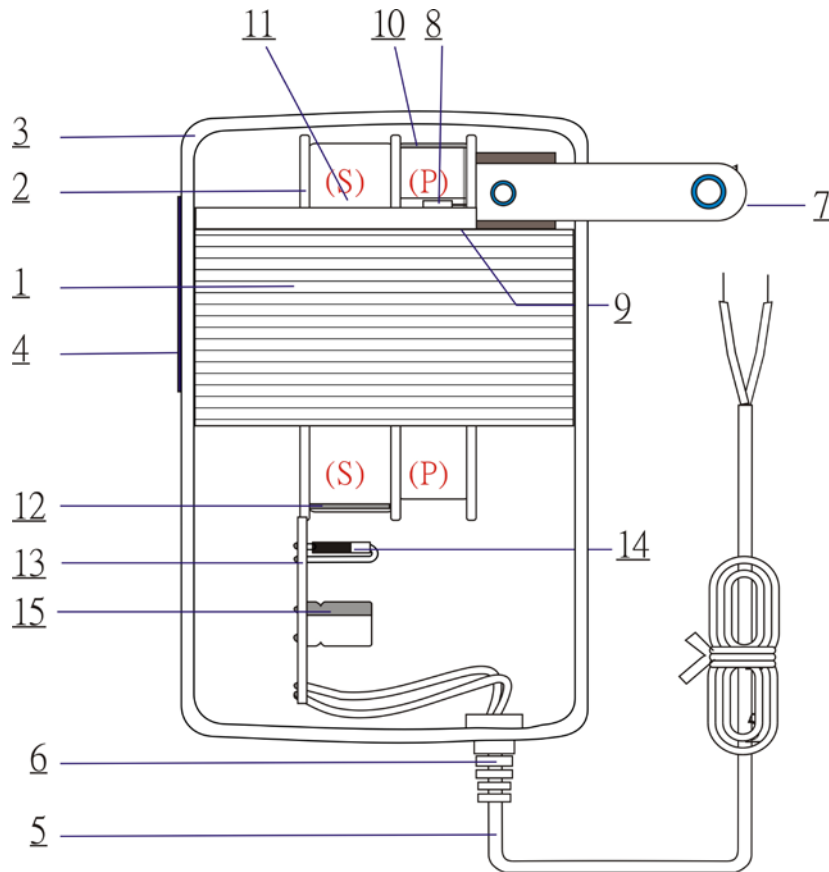
1. YY Provides Production Year.
2. MM Provides Production Month.

A	47.5±2	B	57.8±2	C	73.8±2	D	1800±100
E	10±0.5						

DRAWING NAME	CROSS-SECTION	<h2 style="margin: 0;">System Connection Inc.</h2> <p style="margin: 0;">441 EAST BAY BLVD. PROVO, UT 84606 USA</p> <p style="margin: 0;">TEL: +001 801-765-9849</p>
DRAWING NO.	A	
UNIT	mm	
SCALE		

# System Connection Inc.

MODEL NO.	DESCRIPTION	DAVID NO.	ISSUE DATE
DP48-1201000	AC ADAPTOR	C169-75	2010/04/08

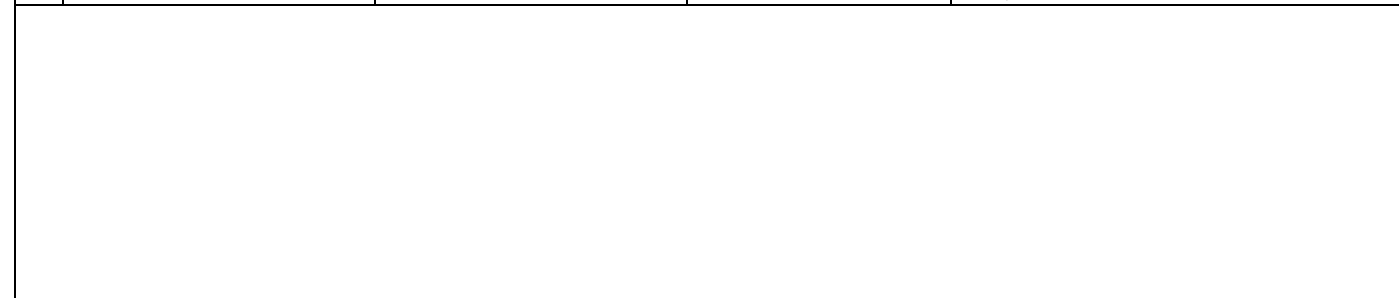


DRAWING NAME	CROSS-SECTION	<h2 style="margin: 0;">System Connection Inc.</h2> <p style="margin: 0;">441 EAST BAY BLVD. PROVO, UT 84606 USA</p> <p style="margin: 0;">TEL: +001 801-765-9849</p>
DRAWING NO.	B	
UNIT	mm	
SCALE		

# System Connection Inc.

MODEL NO.	DESCRIPTION	DAVID NO.	ISSUE DATE
DP48-1201000	AC ADAPTOR	C169-75	2010/04/08

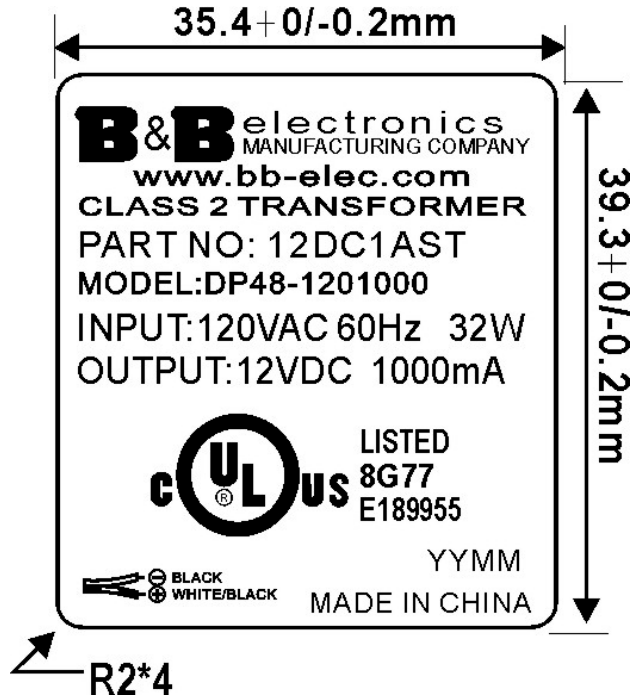
NO	DESCRIPTION	MATERIAL	SPEC & Q'TY	MANUFACTURER
01	Core	Silicon Steel	<u>  2  </u> H50	SHEN ZHEN CHUN YUAN STEEL INC (CERTIFICATE No.: 99PC 100616) OR EQUIVALENT SON KON Plastic & METAL MANUFAC TURIN OR EQUIVALENT. As Item 2. Chi Yang Printing Mtg. OR EQUIV. TAHENG ELECTRONICS WIRE & CABLE CO., LTD. (E50032) OR EQUIVALENT As Item 5. As Item 1. JOINT FORCE METAL RESEARCH & Co., LTD. (E142267) OR EQUIVALENT FENG CHING METAL CORP. (E172395) OR EQUIVALENT KA SHING ENTERPRISE Co., LTD. OR EQUIVALENT As Item 9. As Item 10. HUA SHENG ELECTRONICS Co., LTD. OR EQUIVALENT BYTESONIC CORPORATION OR EQUIVALENT TAY JYE ELECTRONICS FACTORY OR EQUIVALENT
02	Bobbin	N66	<u>  1  </u> PCS.	
03	Enclosure	ABS or PPO	<u>  1  </u> SET.	
04	Nameplate	PVC (UL/CSA) 0.27mm Thick	<u>  1  </u> PCS.	
05	Output Cord	UL2468(UL/CSA) AWG22 Plug: S&T 10mm	<u>  1  </u> PCS.	
06	Strain Relief	PVC.	<u>  1  </u> PCS.	
07	Blade	Nickel plating Copper 1.45mm Thick	<u>  1  </u> PCS.	
08	Thermal Cutoff Fuse.	130°C 250V 2A	<u>  1  </u> PCS.	
09	The Primary Winding	Polyurethane Enameled Copper Wire	0.05mm <u>  2  </u> Turns.	
10	The Primary Insulation.	Polyester Tape. Press Board		
11	The Secondary Winding	Polyurethane Enameled Copper Wire.	0.05mm <u>  2  </u> Turns. 0.25mm <u>  1  </u> PCS.	
12	The Secondary Insulation	Polyester Tape.		
13	Rectifier Board.	P.C.B (94V-0)	<u>  1  </u> PCS	
14	Diode	1N5391	<u>  4  </u> PCS.	
15	Capacitor.	2200µF/25V 85°C	<u>  1  </u> PCS.	



DRAWING NAME	CROSS-SECTION	<h2 style="margin: 0;">System Connection Inc.</h2> <p style="margin: 0;">441 EAST BAY BLVD. PROVO, UT 84606 USA</p> <p style="margin: 0;">TEL: +001 801-765-9849</p>
DRAWING NO.		
UNIT	mm	
DRAWING NAME		

# System Connection Inc.

MODEL NO.	DESCRIPTION	DAVID NO.	ISSUE DATE
DP48-1201000	AC ADAPTOR	C169-75	2010/04/08



1. Material: P.V.C 0.27mm Thickness, UL/CSA certificate and fireproof.
2. Color: White Word and Black Under Plate.
3. UNIT : mm

<b>APPROVED BY</b>		<b>System Connection Inc.</b>  441 EAST BAY BLVD. PROVO, UT 84606 USA  TEL: +001 801-765-9849
<b>RECHECKED BY</b>		
<b>CHECKED BY</b>		
<b>REPORTED BY</b>		

# System Connection Inc.

MODEL NO.	DESCRIPTION	DAVID NO.	ISSUE DATE							
DP48-1201000	AC ADAPTOR	C169-75	2010/04/08							
I T E M	S P E C	S A M P L E								
		1	2	3	4	5	6	7	8	
PRIMARY EXCITING CURRENT I/P <b>120</b> VAC <b>60</b> Hz	<b>90</b> mA MAX									
PRIMARY LOAD CURRENT I/P <b>120</b> VAC <b>60</b> Hz	mA MAX									
SECONDARY VOLTAGE NO LOAD :	<b>DC 17.5</b> V MAX									
SECONDARY VOLTAGE LOAD : <b>DC 1000</b> mA	<b>DC 12</b> V ±5%									
PRIMARY EXCITING CURRENT I/P VAC Hz										
PRIMARY LOAD CURRENT I/P VAC Hz										
SECONDARY VOLTAGE NO LOAD :										
RIPPLE V <sub>p-p</sub>										
HI-POT	PRI. TO SEC-CORE	AC 1500 V								
	SEC. TO CORE	AC 500 V								
APPROVED BY		<p style="font-size: 1.2em; margin: 0;"><b>System Connection Inc.</b></p> <p>441 EAST BAY BLVD. PROVO, UT 84606 USA</p> <p>TEL: +001 801-765-9849</p>								
RECHECKED BY										
CHECKED BY										
REPORTED BY										