

SUMMARY



Image is for illustrative purpose only

Wires

Low	0
High	0
Coax	1
Triax	0
Quad	0
Fiber	0
Fluidic	0

Download

[Request a quote](#)

[Catalog](#)

Series	01
Termination type	Male solder
IP rating	50
Cable Ø	0.00 - 0.00 mm
Matching parts	ECP.01.250.DLL
Status	
Alternative part	

TECHNICAL DETAILS

Mechanics

Shell Style/Model	FFS*: Straight plug for cable crimping
Keying	Circular (can rotate)
Housing Material	Brass (gold plated) shell, collet nut, brass latch sleeve and mid pieces
Cable Fixing	∅ 0 - 0 mm
Variant	

Performance

Configuration	0.25 : 1 Coax (50 Ohm)
Insulator	
Rated Current	

Specifications

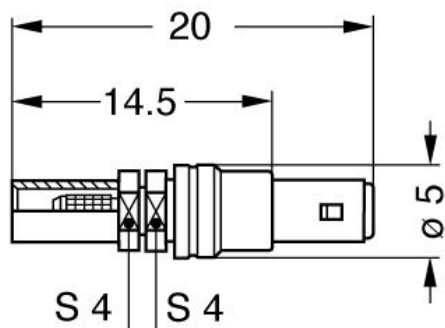
Contact Type: Solder

Others

IP Rating: 50

DRAWINGS

Draws



Dimensions

	A	L	M	S1	S2
mm.	5	20	14.5	4	4
in.	0,20	0,79	0,57	0,16	0,16

RECOMMENDED BY LEMO

Tools

None

Cables