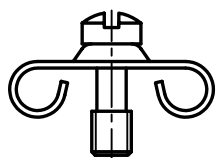
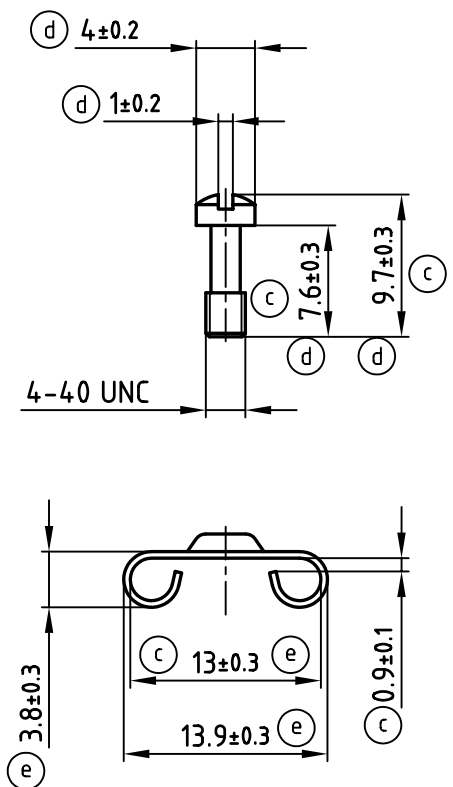


used for: D-SUB



1 SET CONSISTS OF :  
2 CLAMPS  
2 SCREWS

Directive 2002/95/EC  
"RoHS"  
Compliant

PART-NO.	BULK QUANTITY
160X10259X	1 SET
160X00949A	100 SETS

THIS DRAWING MAY NOT BE COPIED OR REPRODUCED IN ANY WAY, AND MAY NOT BE PASSED ON TO A THIRD PARTY WITHOUT WRITTEN PERMISSION.  
OWNERSHIP AND COPYRIGHT OF CONEC GmbH  
DO NOT ALTER CAD DRAWING BY HAND

rev.	description	date	name	tolerance
1 x f	Ä 2441	10.02.2006	Lehmen	2001
3 x e	Ä 2228	11.05.2005	HS	drawn 21.08. Parei
5 x d	Ä 2210	21.04.2005	HS	appd. 21.08. E. Mickenbecker
4 x c	Ä 2156	04.02.2005	Lehmen	norm
2 x b	Ä 1819	16.07.2003	Lehmen	d-old



scale:	2:1
material:	(b) (f) STEEL; NICKEL PLATED
title:	CLAMP 9-37pos.
dwg no:	AutoCAD 2000 16K1A274A
part no:	SEE TABLE

DIN-A  
4 (d)  
sh:1/2

4

3

2

1

used for: D-SUB

F

F

E

E

D

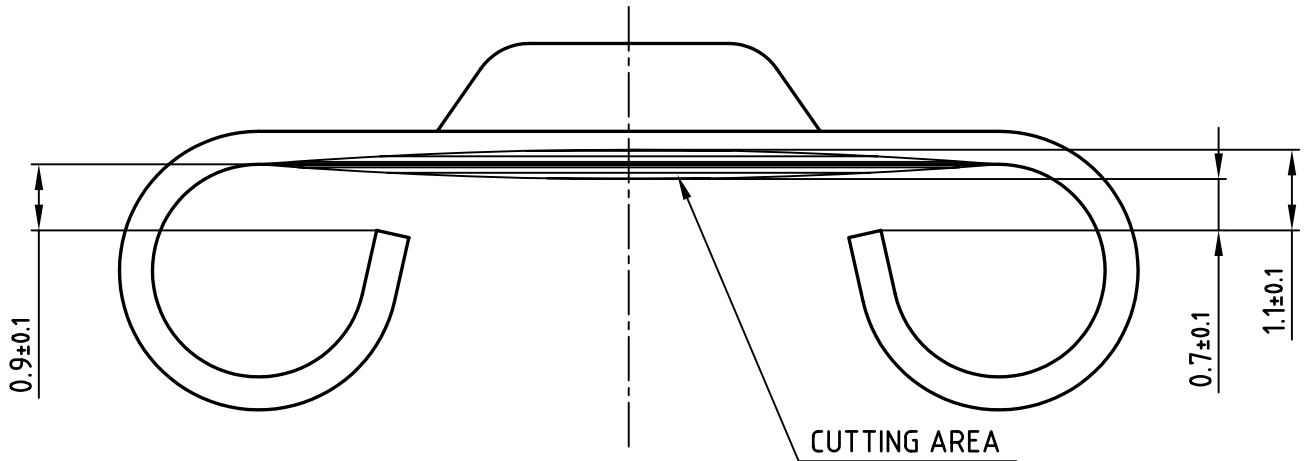
D

C

C

B

B



THIS DRAWING MAY NOT BE COPIED OR REPRODUCED IN ANY WAY, AND MAY NOT BE PASSED ON TO A THIRD PARTY WITHOUT WRITTEN PERMISSION.  
 OWNERSHIP AND COPYRIGHT OF CONEC GmbH  
 DO NOT ALTER CAD DRAWING BY HAND

1x d	Ä 2210	21.04.2005	HS
rev.	description	date	name

tolerance		
2005	date	
drawn	21.04.	name
appd.	21.04.	Labus
norm		
d-old		

scale:	10:1
material:	SEE SHEET 1
title:	CLAMP 9-37pos.
dwg no:	AutoCAD 2004
part no:	SEE SHEET 1
DIN-A	4 (d)
sh:	2/2

4

3

2

1

A

A