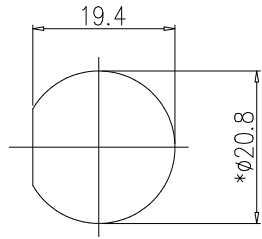
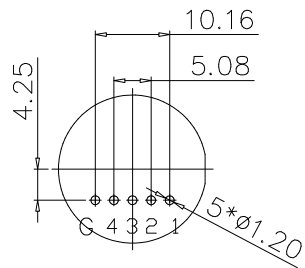


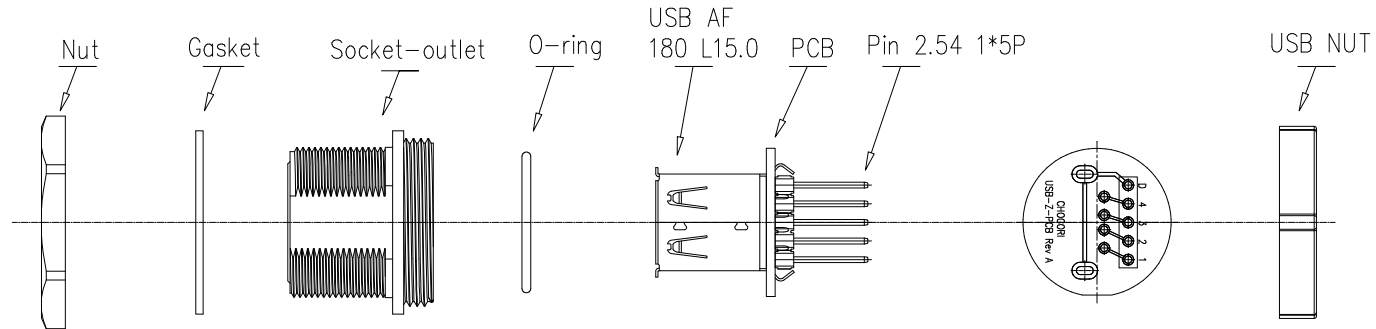
REV.	ECN NO.	DESCRIPTION	SIGN	DATE
C1	N/A	Initial Drawing	Xinkunfu	2019/08/13



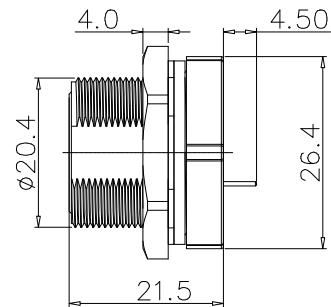
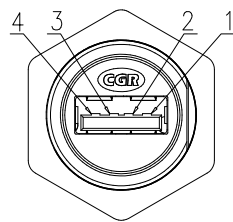
Panel Cut-Out



PCB Layout



Panel Thickness ≤ 4.0mm



NOTE:

- Contact Resistance: ≤ 30mΩ
- Breakdown Voltage: > 500V/1Minute
- Insulation Resistance: > 1000MΩ
- Temperature Rating: -45°C ~ +85°C
- Nut: Nylon+GF
- Gasket: Silicon
- Socket-outlet: Nylon+GF
- O-ring: Silicon
- PCB: FR-4
- NUT: Nylon+GF
- Waterproof Rate: IP67(Mated)
- RoHS Compliant

UNIT: mm	
TOLERANCE	
.X	±0.25
.XX	±0.15
.XXX	±0.05
ANGLES	±1°

DESCRIPTION	
USB A Type Female Conn.(Screw Type)	
Panel Front Mount, PCB	
SCALE: 1:1	SHEET 1 OF 1
REV. C1	SIZE A4
* : Inspection Item	

CHOGORI

PART NO	34000000-03	DRAWN BY	Xinkunfu	DATE	2019/08/13
DWG NO		CHECKED BY	Allen	DATE	2019/08/13
CUSTOMER		APPROVED BY	Panson	DATE	2019/08/13

THIS INFORMATION IS CONFIDENTIAL AND IS DISCLOSED TO YOU ON CONDITION THAT NO FURTHER DISCLOSURE IS MADE BY YOU TO OTHER THAN CHOGORI PERSONNEL WITHOUT AUTHORIZATION FROM CHOGORI CORP.