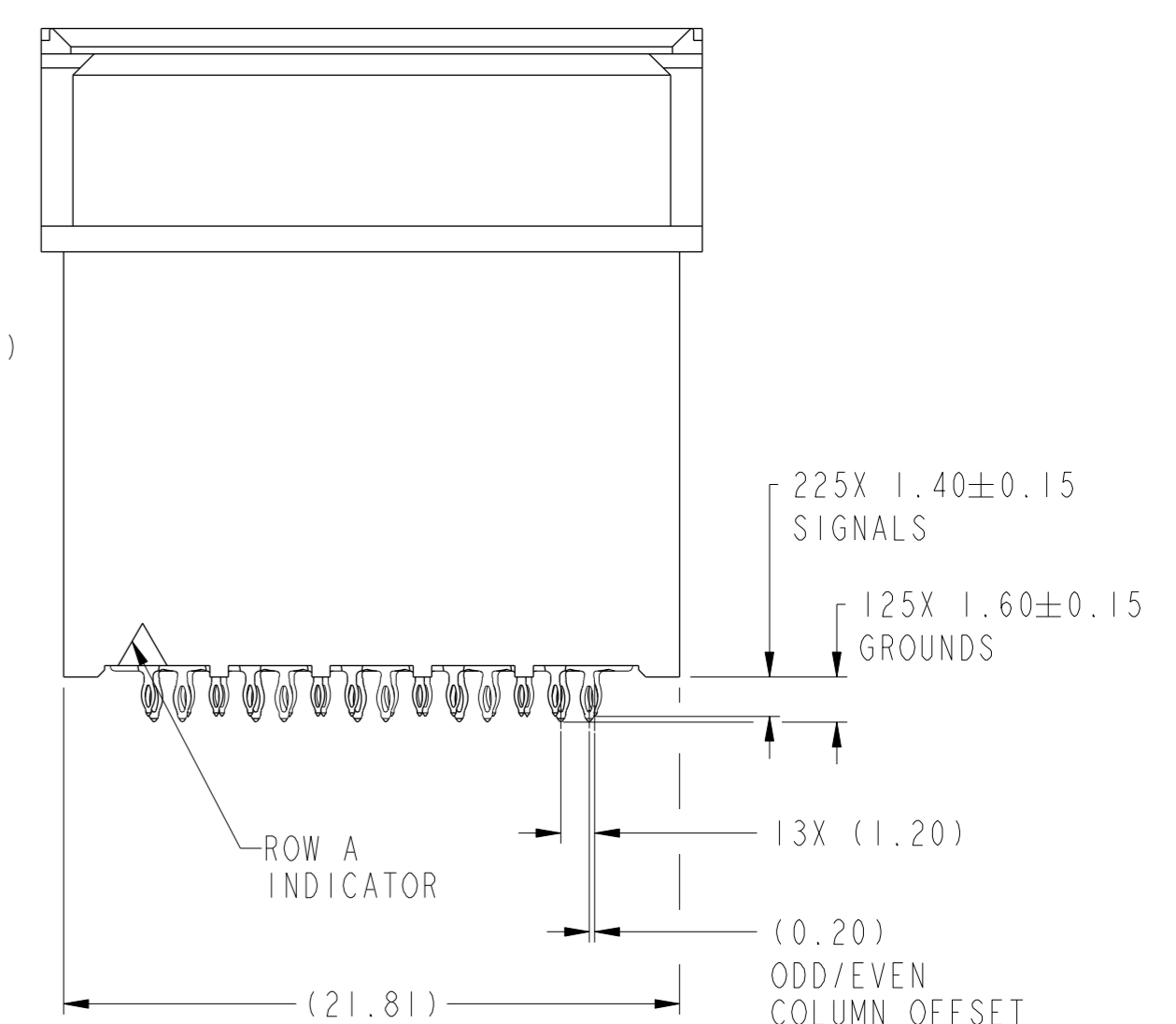
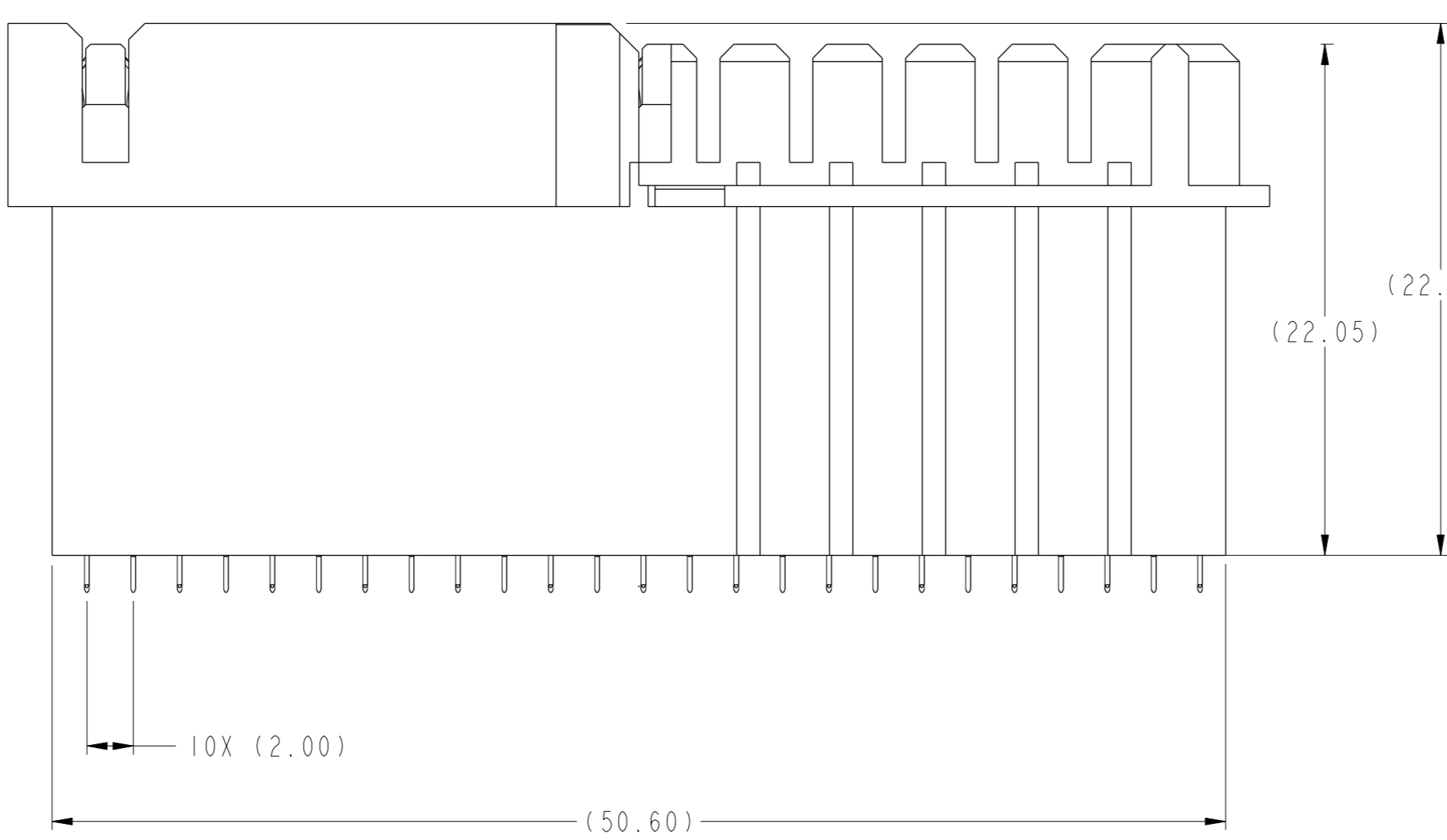
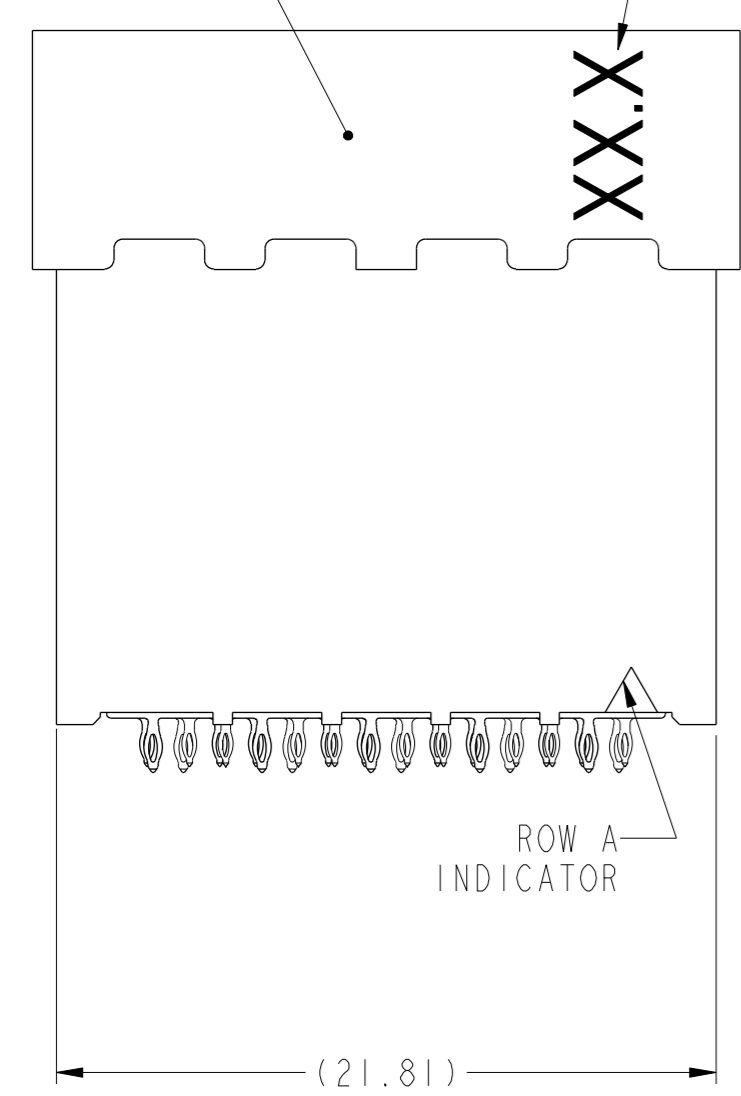


SEE NOTE 5
SEE NOTE 11



POLARIZATION PEG

Copyright FCI.

spec ref	SEE NOTES	dr	SHU CHEN	2014-08-14	projection	mm	size	A2	scale	4:1												
tolerance std	TOLERANCES UNLESS OTHERWISE SPECIFIED	eng	WILL LIU	2014-08-22		mm	ecn no	rel level	In Work	rev												
ASME Y14.5M		chr		appr																		
surface	<table border="1"> <tr> <td>linear</td> <td>0.X</td> <td>±0.3</td> </tr> <tr> <td></td> <td>0.XX</td> <td>±0.10</td> </tr> <tr> <td></td> <td>0.XXX</td> <td>±0.05</td> </tr> <tr> <td>angular</td> <td>0°</td> <td>±2°</td> </tr> </table>	linear	0.X	±0.3		0.XX	±0.10		0.XXX	±0.05	angular	0°	±2°			product family ExaMEZZ		title ExaMEZZ CONNECTOR ASSEMBLY HERMAPHRODITIC, 4 PAIR, 25 IMLA		cat. no. 10128494		sheet 1 of 5
linear	0.X	±0.3																				
	0.XX	±0.10																				
	0.XXX	±0.05																				
angular	0°	±2°																				

1 2 3 4 5 6 7 8

A

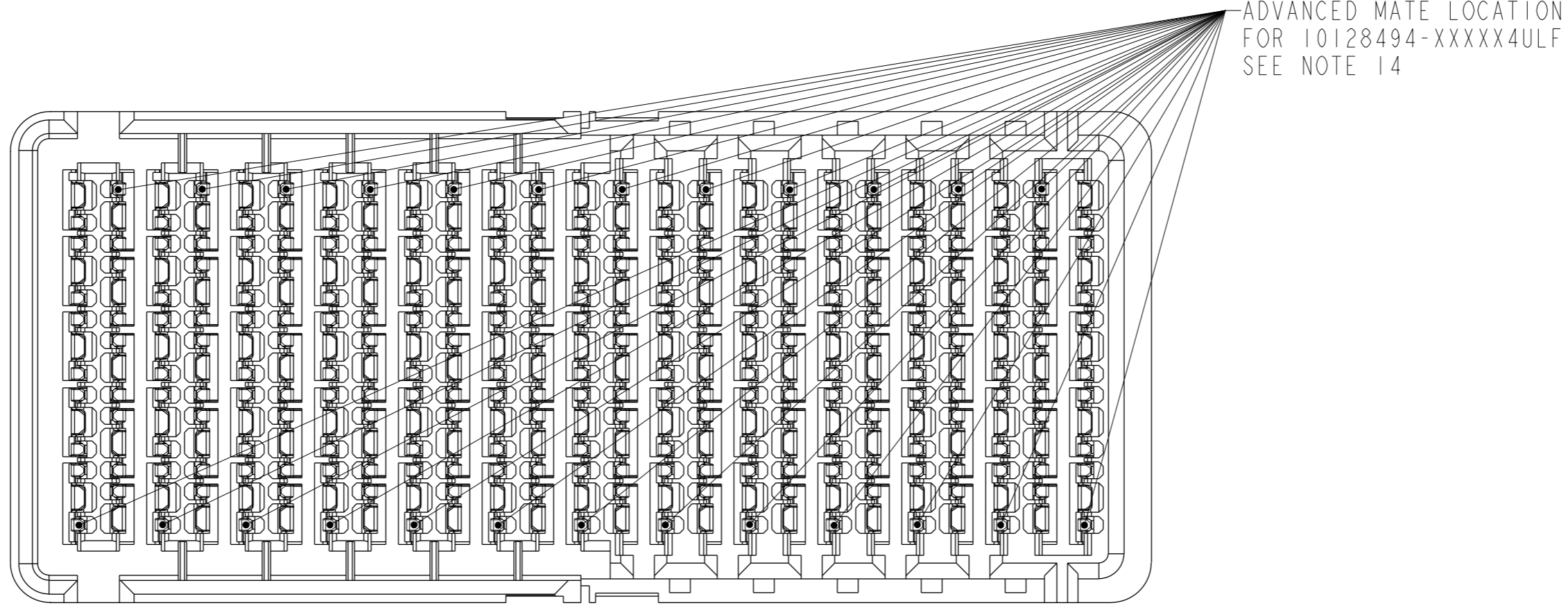
B

C

D

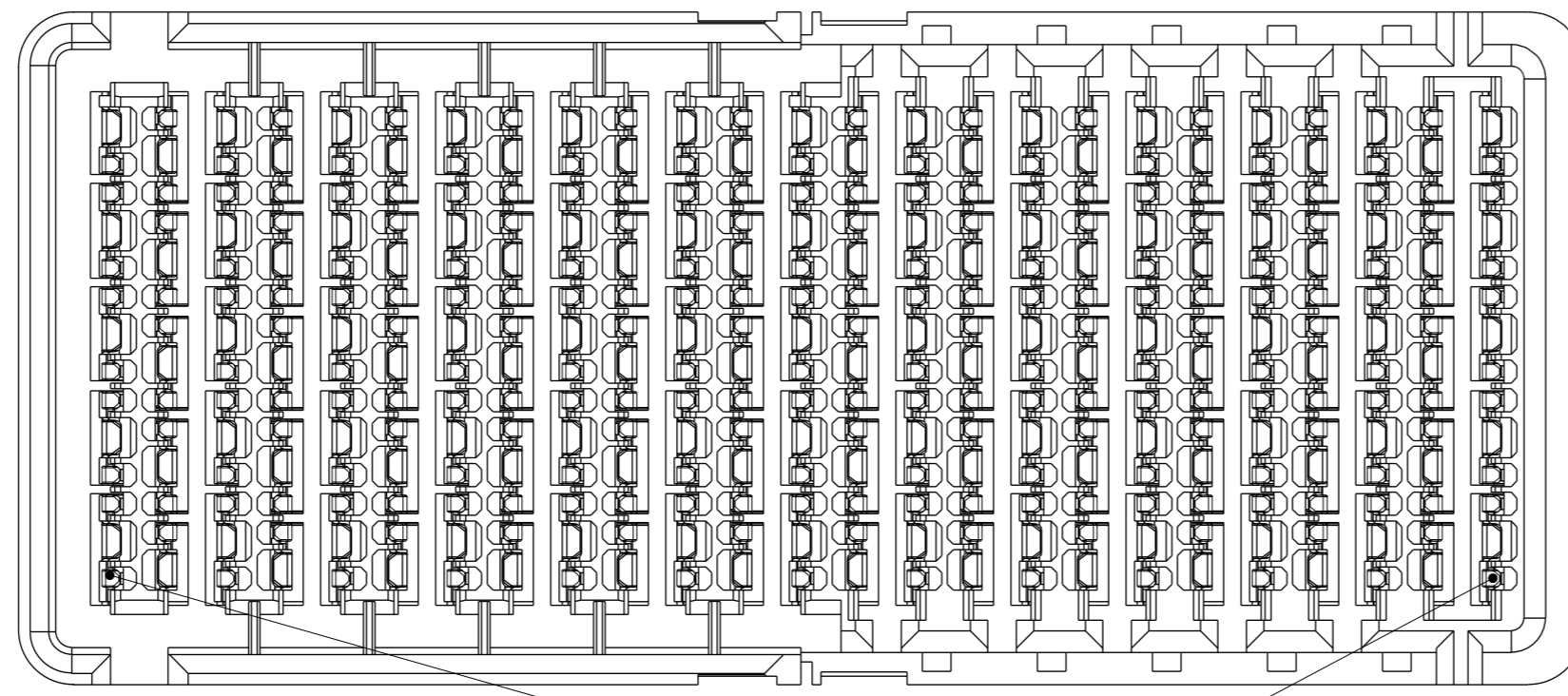
E

F



ADVANCED MATE LOCATION
FOR 10128494-XXXXX4ULF
SEE NOTE 14

**ADVANCED MATE LAYOUT
FOR 10128494-XXXXX4ULF**



STANDARD SHORT DETECT LOCATION
FOR 10128494-XXXXXIULF
SEE NOTE 13

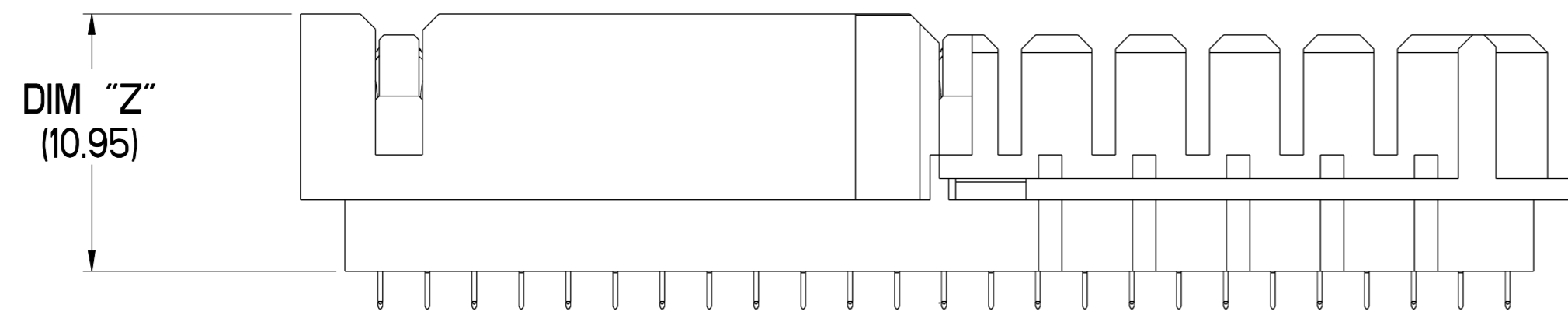
**STANDARD SHORT DETECT LAYOUT
FOR 10128494-XXXXXIULF**



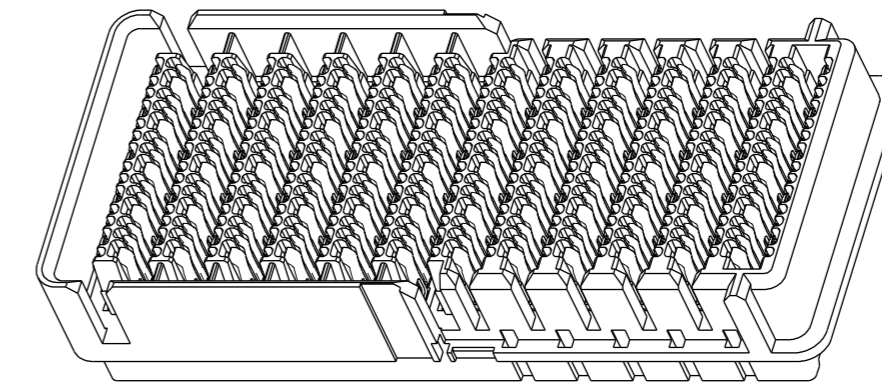
Copyright FCI.

spec ref	SEE NOTES	dr	SHU CHEN	2014-08-14	projection	mm	size	A2	scale	4:1
tolerance std	TOLERANCES UNLESS OTHERWISE SPECIFIED	eng	WILL LIU	2014-08-22		← mm →	ecn no			
ISO 406		chr					rel level	In Work		
ISO 1101		appr				product family	ExaMEZZ			
surface	linear	0.X	±0.3		TITLE	ExaMEZZ CONNECTOR ASSEMBLY	cat. no.	10128494	rev	6
		0.XX	±0.10							
		0.XXX	±0.05							
	angular	0°	±2°	www.fci.com	cat. no.	-	Product - Customer Drw	sheet 2 of 5		

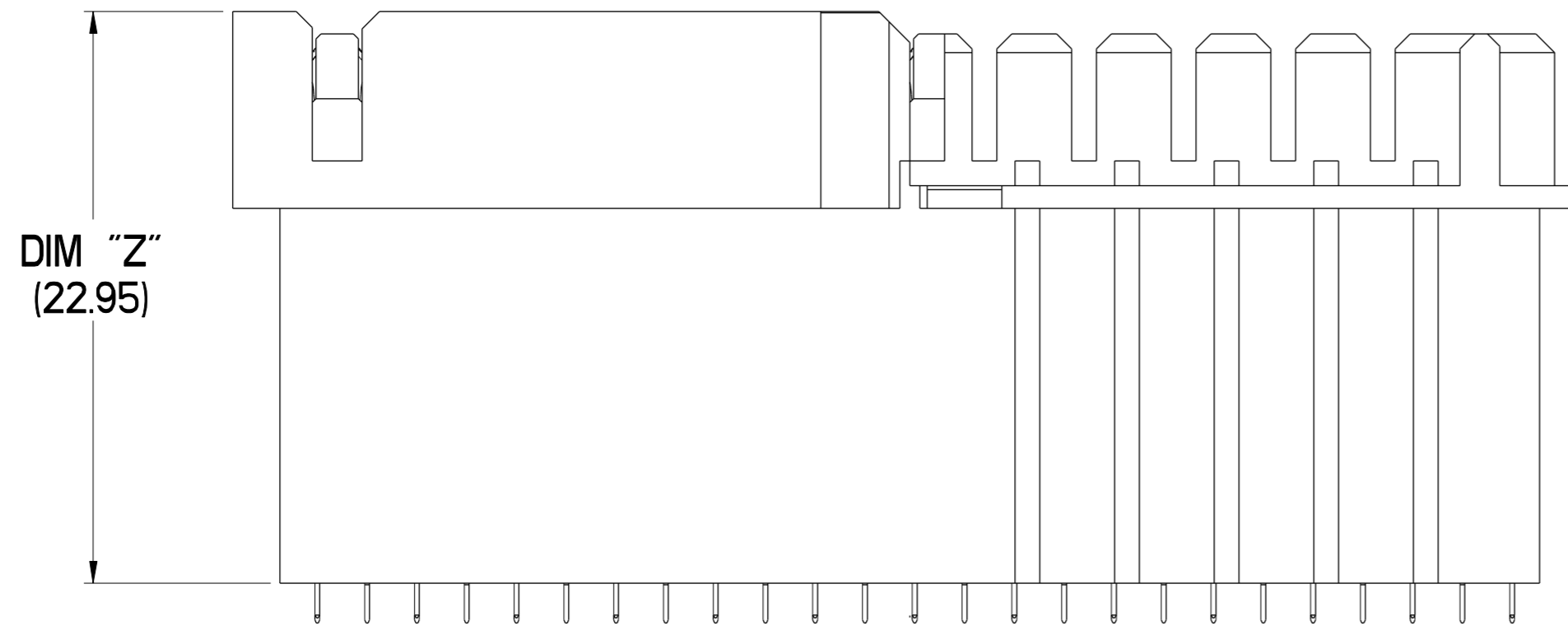
1 2 3 4 5 6 7 8



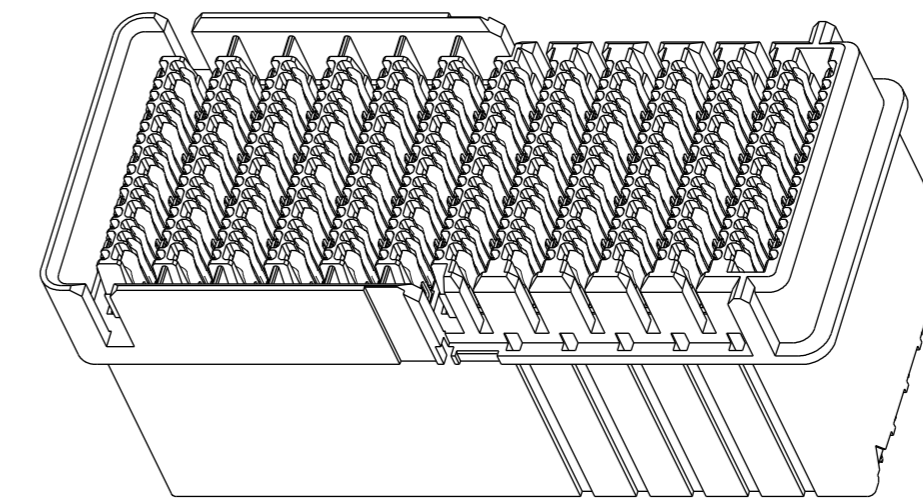
7.5mm HALF STACK HEIGHT
10128494-107500ULF SHOWN
SCALE 4:1



SCALE 2:1



19.5mm HALF STACK HEIGHT
10128494-119500ULF SHOWN
SCALE 4:1

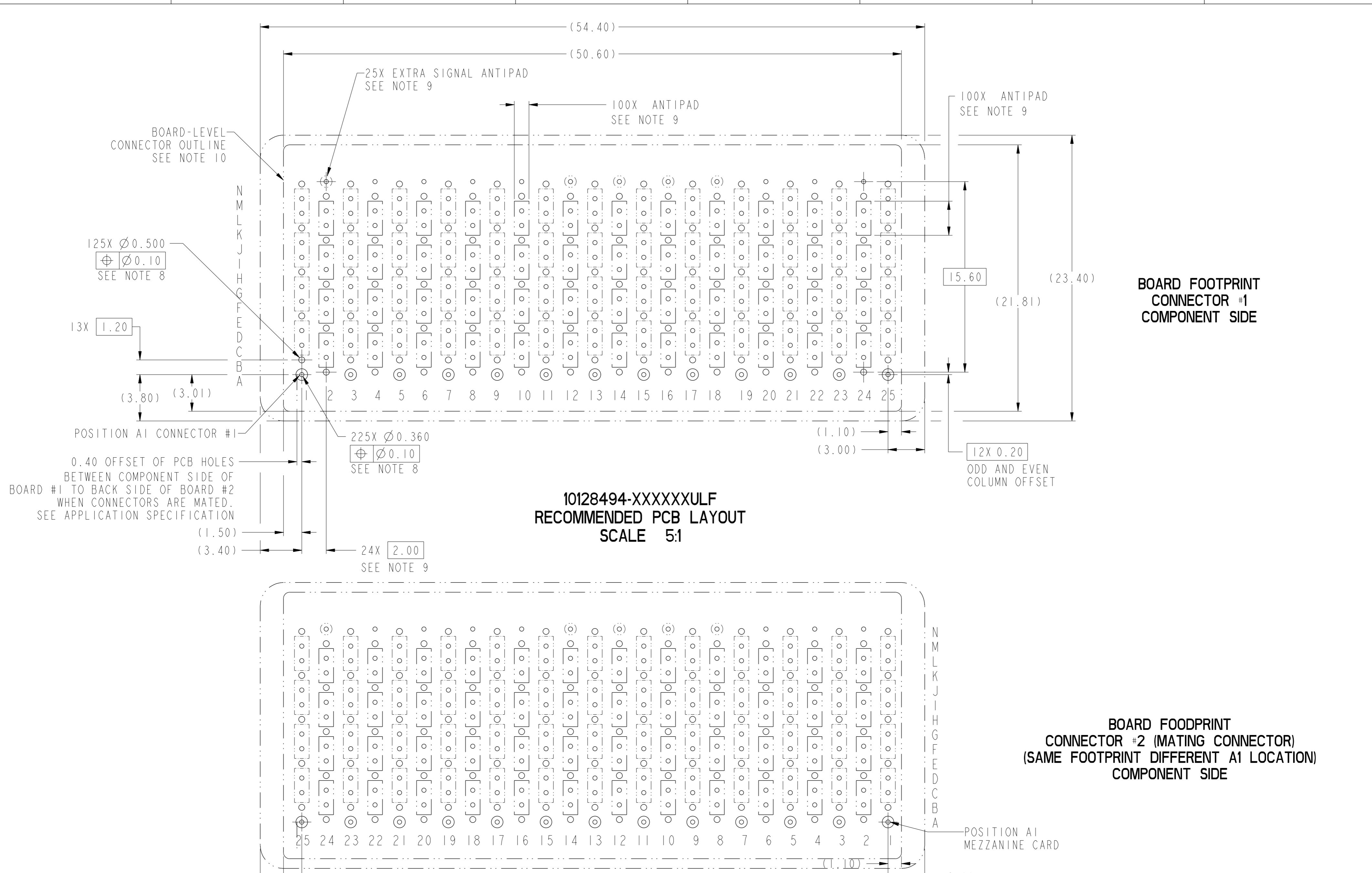


SCALE 2:1



Copyright FCI.

spec ref	SEE NOTES	dr	SHU CHEN	2014-08-14	projection	mm	size	A2	scale	2:1
tolerance std	TOLERANCES UNLESS OTHERWISE SPECIFIED	eng	WILL LIU	2014-08-22			ecn no			
ISO 406		chr					rel level	In Work		
ISO 1101		appr			product family					
surface		linear	0.X	±0.3		TITLE ExaMEZZ CONNECTOR ASSEMBLY HERMAPHRODITIC, 4 PAIR, 25 IMLA	cat. no. -	Product - Customer Drw	sheet 3 of 5	rev 6
			0.XX	±0.10						diag no 10128494
			0.XXX	±0.05						
		angular	0°	±2°	www.fci.com					



**10128494-XXXXXXULF
RECOMMENDED PCB LAYOUT
SCALE 5:1**

**BOARD FOOTPRINT
CONNECTOR #1
COMPONENT SIDE**

**BOARD FOOTPRINT
CONNECTOR #2 (MATING CONNECTOR)
(SAME FOOTPRINT DIFFERENT A1 LOCATION)
COMPONENT SIDE**

0.40 OFFSET OF PCB HOLES
BETWEEN COMPONENT SIDE OF
BOARD #1 TO BACK SIDE OF BOARD #2
WHEN CONNECTORS ARE MATED.
SEE APPLICATION SPECIFICATION

spec ref	SEE NOTES	dr	SHU CHEN	2014-08-14	projection	mm	size	A2	scale	4:1										
tolerance std	TOLERANCES UNLESS OTHERWISE SPECIFIED	eng	WILL LIU	2014-08-22		mm	ecn no	rel level	In Work	rev										
ASME Y14.5M		chr		appr							product family	ExaMEZZ								
surface	<table border="1"> <tr> <td>linear</td> <td>0.X</td> <td>±0.3</td> </tr> <tr> <td></td> <td>0.XX</td> <td>±0.10</td> </tr> <tr> <td></td> <td>0.XXX</td> <td>±0.05</td> </tr> <tr> <td>angular</td> <td>0°</td> <td>±2°</td> </tr> </table>	linear	0.X	±0.3		0.XX	±0.10		0.XXX	±0.05	angular	0°	±2°			ExaMEZZ CONNECTOR ASSEMBLY HERMAPHRODITIC, 4 PAIR, 25 IMLA		no	10128494	6
linear	0.X	±0.3																		
	0.XX	±0.10																		
	0.XXX	±0.05																		
angular	0°	±2°																		
		www.fci.com		cat. no.	-		Product - Customer Drw		sheet 4 of 5											

Copyright FCI.

- 1 - CONNECTOR MATERIALS:
HOUSING: HIGH TEMP THERMOPLASTIC, NATURAL, UL94-V0
IMLA PLASTIC: HIGH TEMP THERMOPLASTIC, BLACK, UL94-V0
CONTACT: COPPER ALLOY
- 2 - CONTACT PLATING:
SEPARABLE INTERFACE:
PERFORMANCE-BASED PLATING, QUALIFIED TO MEET THE REQUIREMENTS OF FCI PRODUCT SPECIFICATION GS-12-1150 INCLUDING TELCORDIA GR-1217-CORE (NOVEMBER 1995) CENTRAL OFFICE TEST SEQUENCE.
- PRESS-FIT TAILS:
TIN OVER NICKEL (LEAD-FREE)
- 3 - PRODUCT SPECIFICATION: GS-12-1150
- 4 - APPLICATION SPECIFICATION: GS-20-0373
- 5 - PRODUCT MARKING (PART NUMBER & LOT CODE) ON THIS SURFACE.
- 6 - LEAD FREE PRODUCT MEETS THE EUROPEAN UNION DIRECTIVES & OTHER COUNTRY REGULATIONS AS DESCRIBED IN GS-47-0004.
- 7 - PACKAGING MEETS GS-14-920 LEAD FREE LABELING SPECIFICATION.
- 8 - REFER TO CUSTOMER DRAWING 10119933 FOR INFORMATION ON PCB HOLE DIAMETERS AND PLATING OPTIONS
- 9 - PLEASE REFER TO THE APPLICATION SPECIFICATION FOR TRACE ROUTING EXAMPLES THAT INCLUDE DIMENSIONS FOR ANTIPADS, TRACE WIDTHS, TRACE SPACINGS, ETC.
- 10 - CONNECTOR OUTLINE MAY BE SCREEN PRINTED ONTO CUSTOMER PCB TO BE USED AS A GUIDE FOR MANUAL CONNECTOR PLACEMENT.
- 11 - PRODUCT STACK HEIGHT (EG. 19.5) LASER MARKED ON THIS SURFACE.
- 12 - THE HOUSING WILL WITHSTAND EXPOSURE TO 260 °C FOR 10-30 SECONDS IN A CONVECTION, INFRA-RED, OR VAPOR PHASE REFLOW OVEN.
- 13 - THE SHORT DETECT CONNECTOR (WHEN MATED WITH A NON-SHORT DETECT CONNECTOR) WILL PROVIDE CONTACTS THAT MATE 1.00mm AFTER THE REMAINDER OF STANDARD LENGTH SIGNAL AND GROUND CONTACTS MATE. NEVER MATE A SHORT DETECT CONNECTOR WITH ANOTHER SHORT DETECT CONNECTOR.
- 14 - THE ADVANCED MATE CONNECTOR WHEN MATED WITH AN ADVANCED MATE CONNECTOR, WILL PROVIDE CONTACTS THAT MATE 0.75MM BEFORE THE REMAINDER OF THE SIGNAL AND GROUND CONTACTS MATE

PRODUCT NUMBER	STACK HEIGHT EACH SIDE	DIM "Z"	SHORT DETECTS	ADVANCED MATE
10128494-107500ULF	7.5 mm	10.95	NO	NO
10128494-119500ULF	19.5 mm	22.95	NO	NO
10128494-119501ULF	19.5 mm	22.95	YES	NO
10128494-119504ULF	19.5 mm	22.95	NO	YES-ALL COLUMNS

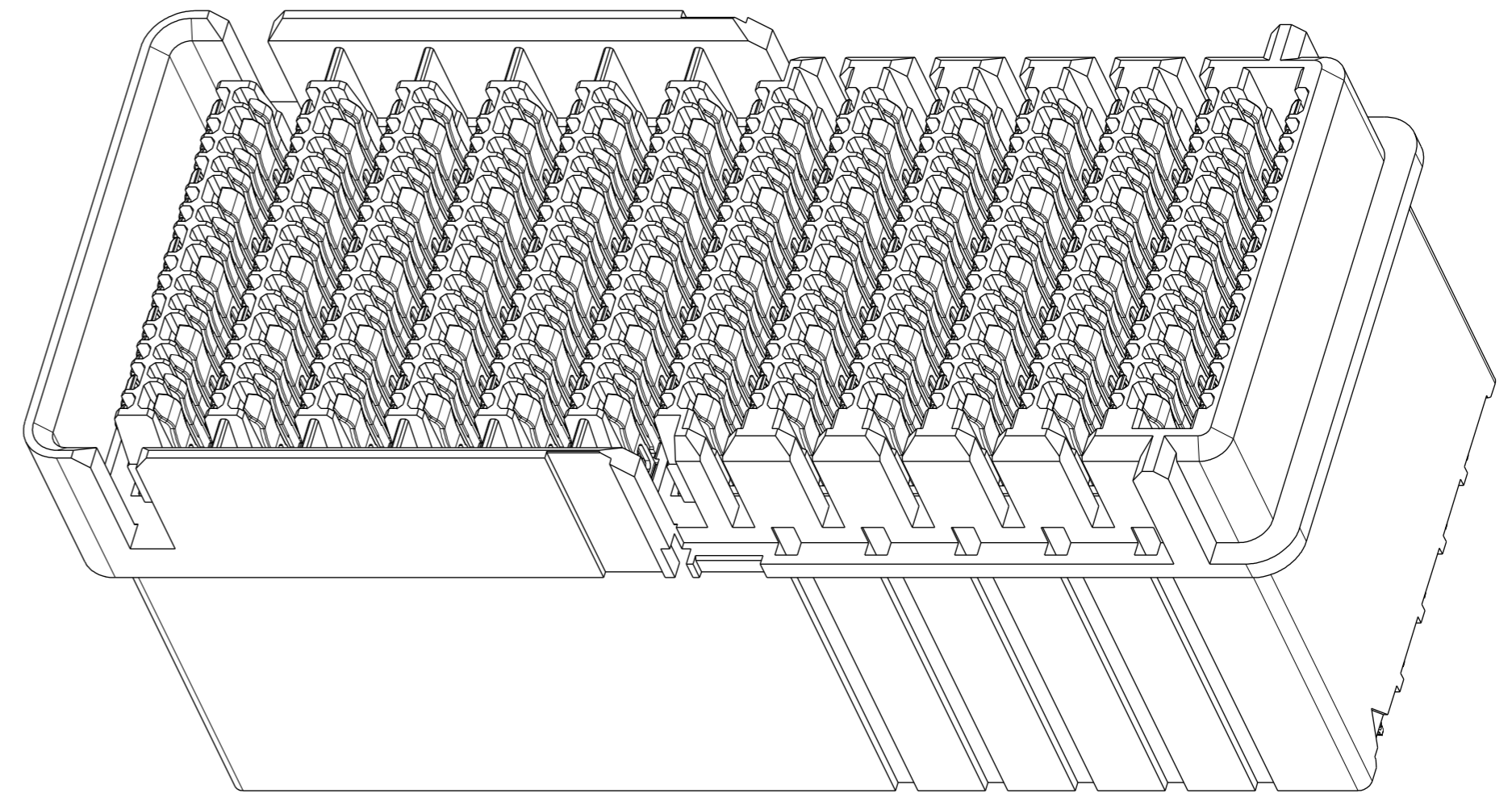
10128494-XXXXXXLF

PLATING
-1 = STD PLATING

LEAD FREE
U = NO GUIDE PINS

EFFECTIVE CONNECTOR HEIGHT PER MATING HALF 19.50 = 1950

SHORT DETECT LAYOUT
0 = NO SHORT DETECT AND NO ADVANCED MATE
1 = SHORT DETECT (STANDARD LOCATION BOTTOM LEFT AND RIGHT SIDE)
4 = ADVANCED MATE SINGLE END ALL COLUMNS



spec ref	SEE NOTES	dr	SHU CHEN	2014-08-14	projection	mm	size	A2	scale	4:1									
tolerance std	TOLERANCES UNLESS OTHERWISE SPECIFIED	eng	WILL LIU	2014-08-22			ecn no	rel level	In Work	rev									
ASME Y14.5M		chr		product family							ExaMEZZ								
surface	<table border="1"> <tr> <td>linear</td> <td>0.X</td> <td>±0.3</td> </tr> <tr> <td></td> <td>0.XX</td> <td>±0.10</td> </tr> <tr> <td></td> <td>0.XXX</td> <td>±0.05</td> </tr> <tr> <td>angular</td> <td>0°</td> <td>±2°</td> </tr> </table>	linear	0.X	±0.3		0.XX	±0.10		0.XXX	±0.05	angular	0°	±2°		ExaMEZZ CONNECTOR ASSEMBLY HERMAPHRODITIC, 4 PAIR, 25 IMLA		no	10128494	6
linear	0.X	±0.3																	
	0.XX	±0.10																	
	0.XXX	±0.05																	
angular	0°	±2°																	
		www.fci.com	cat. no.	-	Product - Customer Drw		sheet 5 of 5												



Copyright FCI.