

CMOS 16-BIT SINGLE CHIP MICROCONTROLLER

S1C17M01

Technical Manual

Evaluation board/kit and Development tool important notice

1. This evaluation board/kit or development tool is designed for use for engineering evaluation, demonstration, or development purposes only. Do not use it for other purposes. It is not intended to meet the requirements of design for finished products.
2. This evaluation board/kit or development tool is intended for use by an electronics engineer and is not a consumer product. The user should use it properly and in a safe manner. Seiko Epson does not assume any responsibility or liability of any kind of damage and/or fire caused by the use of it. The user should cease to use it when any abnormal issue occurs even during proper and safe use.
3. The part used for this evaluation board/kit or development tool may be changed without any notice.

NOTICE

No part of this material may be reproduced or duplicated in any form or by any means without the written permission of Seiko Epson. Seiko Epson reserves the right to make changes to this material without notice. Seiko Epson does not assume any liability of any kind arising out of any inaccuracies contained in this material or due to its application or use in any product or circuit and, further, there is no representation that this material is applicable to products requiring high level reliability, such as, medical products. Moreover, no license to any intellectual property rights is granted by implication or otherwise, and there is no representation or warranty that anything made in accordance with this material will be free from any patent or copyright infringement of a third party. When exporting the products or technology described in this material, you should comply with the applicable export control laws and regulations and follow the procedures required by such laws and regulations. You are requested not to use, to resell, to export and/or to otherwise dispose of the products (and any technical information furnished, if any) for the development and/or manufacture of weapon of mass destruction or for other military purposes.

All brands or product names mentioned herein are trademarks and/or registered trademarks of their respective companies.

Preface

This is a technical manual for designers and programmers who develop a product using the S1C17M01. This document describes the functions of the IC, embedded peripheral circuit operations, and their control methods.

For the CPU functions and instructions, refer to the “S1C17 Family S1C17 Core Manual.” For the functions and operations of the debugging tools, refer to the respective tool manuals. (Our “Products: Document Downloads” website provides the downloadable manuals.)

Notational conventions and symbols in this manual

Register address

Peripheral circuit chapters do not provide control register addresses. Refer to “Peripheral Circuit Area” in the “Memory and Bus” chapter or “List of Peripheral Circuit Control Registers” in the Appendix.

Register and control bit names

In this manual, the register and control bit names are described as shown below to distinguish from signal and pin names.

XXX register: Represents a register including its all bits.

XXX.YYY bit: Represents the one control bit YYY in the XXX register.

XXX.ZZZ[1:0] bits: Represents the two control bits ZZZ1 and ZZZ0 in the XXX register.

Register table contents and symbols

Initial: Value set at initialization

Reset: Initialization condition. The initialization condition depends on the reset group (H0, H1, or S0). For more information on the reset groups, refer to “Initialization Conditions (Reset Groups)” in the “Power Supply, Reset, and Clocks” chapter.

R/W: R = Read only bit

W = Write only bit

WP = Write only bit with a write protection using the MSCPROT.PROT[15:0] bits

R/W = Read/write bit

R/WP = Read/write bit with a write protection using the MSCPROT.PROT[15:0] bits

Control bit read/write values

This manual describes control bit values in a hexadecimal notation except for one-bit values (and except when decimal or binary notation is required in terms of explanation). The values are described as shown below according to the control bit width.

1 bit: 0 or 1

2 to 4 bits: 0x0 to 0xf

5 to 8 bits: 0x00 to 0xff

9 to 12 bits: 0x000 to 0xffff

13 to 16 bits: 0x0000 to 0xffff

Decimal: 0 to 9999...

Binary: 0b0000... to 0b1111...

Channel number

Multiple channels may be implemented in some peripheral circuits (e.g., 16-bit timer, etc.). The peripheral circuit chapters use ‘*n*’ as the value that represents the channel number in the register and pin names regardless of the number of channel actually implemented. Normally, the descriptions are applied to all channels. If there is a channel that has different functions from others, the channel number is specified clearly.

Example) T16_nCTL register of the 16-bit timer

If one channel is implemented (Ch.0 only): T16_nCTL = T16_0CTL only

If two channels are implemented (Ch.0 and Ch.1): T16_nCTL = T16_0CTL and T16_1CTL

For the number of channels implemented in the peripheral circuits of this IC, refer to “Features” in the “Overview” chapter.

– Contents –

Preface.....	i
Notational conventions and symbols in this manual	i
1 Overview.....	1-1
1.1 Features	1-1
1.2 Block Diagram.....	1-3
1.3 Pins	1-4
1.3.1 Pin Configuration Diagram (TQFP13-64PIN)	1-4
1.3.2 Pad Configuration Diagram (Chip).....	1-5
1.3.3 Pin Descriptions.....	1-6
2 Power Supply, Reset, and Clocks	2-1
2.1 Power Generator (PWG).....	2-1
2.1.1 Overview	2-1
2.1.2 Pins.....	2-1
2.1.3 V _{D1} Regulator Operation Mode.....	2-1
2.2 System Reset Controller (SRC).....	2-2
2.2.1 Overview	2-2
2.2.2 Input Pin.....	2-2
2.2.3 Reset Sources	2-3
2.2.4 Initialization Conditions (Reset Groups).....	2-3
2.3 Clock Generator (CLG).....	2-3
2.3.1 Overview	2-3
2.3.2 Input/Output Pins	2-4
2.3.3 Clock Sources	2-4
2.3.4 Operations	2-6
2.4 Operating Mode	2-10
2.4.1 Initial Boot Sequence.....	2-10
2.4.2 Transition between Operating Modes.....	2-10
2.5 Interrupts.....	2-11
2.6 Control Registers	2-12
PWG V _{D1} Regulator Control Register	2-12
CLG System Clock Control Register.....	2-12
CLG Oscillation Control Register	2-13
CLG IOSC Control Register	2-14
CLG OSC1 Control Register	2-15
CLG Interrupt Flag Register	2-16
CLG Interrupt Enable Register	2-17
CLG FOUT Control Register.....	2-17
3 CPU and Debugger	3-1
3.1 Overview	3-1
3.2 CPU Core.....	3-2
3.2.1 CPU Registers	3-2
3.2.2 Instruction Set	3-2
3.2.3 Reading PSR	3-2
3.2.4 I/O Area Reserved for the S1C17 Core	3-2
3.3 Debugger	3-2
3.3.1 Debugging Functions.....	3-2
3.3.2 Resource Requirements and Debugging Tools	3-3
3.3.3 List of debugger input/output pins	3-3
3.3.4 External Connection	3-3

3.4 Control Register	3-4
MISC PSR Register	3-4
Debug RAM Base Register	3-4
4 Memory and Bus	4-1
4.1 Overview	4-1
4.2 Bus Access Cycle	4-1
4.3 Flash Memory	4-2
4.3.1 Flash Memory Pin	4-2
4.3.2 Flash Bus Access Cycle Setting	4-2
4.3.3 Flash Programming	4-3
4.3.4 Flash Security Function	4-3
4.4 RAM	4-3
4.5 Display Data RAM	4-4
4.6 Peripheral Circuit Control Registers	4-4
4.6.1 System-Protect Function	4-7
4.7 Control Registers	4-7
MISC System Protect Register	4-7
MISC IRAM Size Register	4-7
FLASHC Flash Read Cycle Register	4-8
5 Interrupt Controller (ITC)	5-1
5.1 Overview	5-1
5.2 Vector Table	5-1
5.2.1 Vector Table Base Address (TTBR)	5-2
5.3 Initialization	5-3
5.4 Maskable Interrupt Control and Operations	5-3
5.4.1 Peripheral Circuit Interrupt Control	5-3
5.4.2 ITC Interrupt Request Processing	5-3
5.4.3 Conditions to Accept Interrupt Requests by the CPU	5-4
5.5 NMI	5-4
5.6 Software Interrupts	5-4
5.7 Interrupt Processing by the CPU	5-4
5.8 Control Registers	5-5
MISC Vector Table Address Low Register	5-5
MISC Vector Table Address High Register	5-5
ITC Interrupt Level Setup Register x	5-5
6 I/O Ports (PPORT)	6-1
6.1 Overview	6-1
6.2 I/O Cell Structure and Functions	6-2
6.2.1 Schmitt Input	6-2
6.2.2 Over Voltage Tolerant Fail-Safe Type I/O Cell	6-2
6.2.3 Pull-Up/Pull-Down	6-2
6.2.4 CMOS Output and High Impedance State	6-3
6.3 Clock Settings	6-3
6.3.1 PPORT Operating Clock	6-3
6.3.2 Clock Supply in SLEEP Mode	6-3
6.3.3 Clock Supply in DEBUG Mode	6-3
6.4 Operations	6-3
6.4.1 Initialization	6-3
6.4.2 Port Input/Output Control	6-5
6.5 Interrupts	6-6

CONTENTS

6.6	Control Registers	6-6
	Px Port Data Register	6-6
	Px Port Enable Register	6-7
	Px Port Pull-up/down Control Register	6-7
	Px Port Interrupt Flag Register	6-7
	Px Port Interrupt Control Register	6-8
	Px Port Chattering Filter Enable Register	6-8
	Px Port Mode Select Register	6-8
	Px Port Function Select Register	6-9
	P Port Clock Control Register	6-9
	P Port Interrupt Flag Group Register	6-10
6.7	Control Register and Port Function Configuration of this IC	6-11
6.7.1	P0 Port Group	6-11
6.7.2	P1 Port Group	6-12
6.7.3	P2 Port Group	6-12
6.7.4	P3 Port Group	6-13
6.7.5	P4 Port Group	6-14
6.7.6	P5 Port Group	6-15
6.7.7	Pd Port Group	6-16
6.7.8	Common Registers between Port Groups	6-16
7	Watchdog Timer (WDT)	7-1
7.1	Overview	7-1
7.2	Clock Settings	7-1
7.2.1	WDT Operating Clock	7-1
7.2.2	Clock Supply in DEBUG Mode	7-2
7.3	Operations	7-2
7.3.1	WDT Control	7-2
7.3.2	Operations in HALT and SLEEP Modes	7-2
7.4	Control Registers	7-3
WDT Clock Control Register	7-3	
WDT Control Register	7-3	
8	Real-Time Clock (RTCA)	8-1
8.1	Overview	8-1
8.2	Output Pin and External Connection	8-1
8.2.1	Output Pin	8-1
8.3	Clock Settings	8-2
8.3.1	RTCA Operating Clock	8-2
8.3.2	Theoretical Regulation Function	8-2
8.4	Operations	8-3
8.4.1	RTCA Control	8-3
8.4.2	Real-Time Clock Counter Operations	8-4
8.4.3	Stopwatch Control	8-4
8.4.4	Stopwatch Count-up Pattern	8-4
8.5	Interrupts	8-5
8.6	Control Registers	8-6
RTC Control Register	8-6	
RTC Second Alarm Register	8-7	
RTC Hour/Minute Alarm Register	8-8	
RTC Stopwatch Control Register	8-8	
RTC Second/1Hz Register	8-9	
RTC Hour/Minute Register	8-10	
RTC Month/Day Register	8-11	
RTC Year/Week Register	8-11	

RTC Interrupt Flag Register.....	8-12
RTC Interrupt Enable Register	8-13
9 Supply Voltage Detector (SVD).....	9-1
9.1 Overview	9-1
9.2 Input Pin and External Connection	9-2
9.2.1 Input Pin.....	9-2
9.2.2 External Connection	9-2
9.3 Clock Settings.....	9-2
9.3.1 SVD Operating Clock.....	9-2
9.3.2 Clock Supply in SLEEP Mode	9-2
9.3.3 Clock Supply in DEBUG Mode.....	9-3
9.4 Operations	9-3
9.4.1 SVD Control	9-3
9.4.2 SVD Operations	9-4
9.5 SVD Interrupt and Reset	9-4
9.5.1 SVD Interrupt	9-4
9.5.2 SVD Reset.....	9-5
9.6 Control Registers	9-5
SVD Clock Control Register	9-5
SVD Control Register	9-6
SVD Status and Interrupt Flag Register	9-7
SVD Interrupt Enable Register	9-8
10 16-bit Timers (T16).....	10-1
10.1 Overview	10-1
10.2 Input Pin.....	10-1
10.3 Clock Settings.....	10-2
10.3.1 T16 Operating Clock.....	10-2
10.3.2 Clock Supply in SLEEP Mode	10-2
10.3.3 Clock Supply in DEBUG Mode.....	10-2
10.3.4 Event Counter Clock.....	10-2
10.4 Operations	10-2
10.4.1 Initialization	10-2
10.4.2 Counter Underflow	10-3
10.4.3 Operations in Repeat Mode.....	10-3
10.4.4 Operations in One-shot Mode.....	10-3
10.4.5 Counter Value Read.....	10-4
10.5 Interrupt.....	10-4
10.6 Control Registers	10-4
T16 Ch. <i>n</i> Clock Control Register	10-4
T16 Ch. <i>n</i> Mode Register	10-5
T16 Ch. <i>n</i> Control Register.....	10-5
T16 Ch. <i>n</i> Reload Data Register.....	10-6
T16 Ch. <i>n</i> Counter Data Register	10-6
T16 Ch. <i>n</i> Interrupt Flag Register	10-6
T16 Ch. <i>n</i> Interrupt Enable Register.....	10-7
11 UART (UART).....	11-1
11.1 Overview	11-1
11.2 Input/Output Pins and External Connections	11-2
11.2.1 List of Input/Output Pins.....	11-2
11.2.2 External Connections	11-2
11.2.3 Input Pin Pull-Up Function.....	11-2
11.2.4 Output Pin Open-Drain Output Function	11-2

CONTENTS

11.3	Clock Settings.....	11-2
11.3.1	UART Operating Clock	11-2
11.3.2	Clock Supply in SLEEP Mode	11-2
11.3.3	Clock Supply in DEBUG Mode.....	11-3
11.3.4	Baud Rate Generator.....	11-3
11.4	Data Format	11-3
11.5	Operations	11-4
11.5.1	Initialization	11-4
11.5.2	Data Transmission	11-4
11.5.3	Data Reception.....	11-5
11.5.4	IrDA Interface.....	11-6
11.6	Receive Errors.....	11-7
11.6.1	Framing Error	11-7
11.6.2	Parity Error.....	11-8
11.6.3	Overrun Error	11-8
11.7	Interrupts.....	11-8
11.8	Control Registers	11-8
	UART Ch. <i>n</i> Clock Control Register	11-8
	UART Ch. <i>n</i> Mode Register.....	11-9
	UART Ch. <i>n</i> Baud-Rate Register	11-10
	UART Ch. <i>n</i> Control Register	11-10
	UART Ch. <i>n</i> Transmit Data Register	11-11
	UART Ch. <i>n</i> Receive Data Register	11-11
	UART Ch. <i>n</i> Status and Interrupt Flag Register	11-11
	UART Ch. <i>n</i> Interrupt Enable Register.....	11-12
12	Synchronous Serial Interface (SPIA).....	12-1
12.1	Overview	12-1
12.2	Input/Output Pins and External Connections	12-2
12.2.1	List of Input/Output Pins.....	12-2
12.2.2	External Connections	12-2
12.2.3	Pin Functions in Master Mode and Slave Mode.....	12-3
12.2.4	Input Pin Pull-Up/Pull-Down Function	12-3
12.3	Clock Settings.....	12-3
12.3.1	SPIA Operating Clock.....	12-3
12.3.2	Clock Supply in DEBUG Mode.....	12-4
12.3.3	SPI Clock (SPICLK _{<i>n</i>}) Phase and Polarity	12-4
12.4	Data Format	12-5
12.5	Operations	12-5
12.5.1	Initialization	12-5
12.5.2	Data Transmission in Master Mode	12-5
12.5.3	Data Reception in Master Mode.....	12-7
12.5.4	Terminating Data Transfer in Master Mode.....	12-8
12.5.5	Data Transfer in Slave Mode.....	12-8
12.5.6	Terminating Data Transfer in Slave Mode	12-10
12.6	Interrupts.....	12-10
12.7	Control Registers	12-11
	SPIA Ch. <i>n</i> Mode Register	12-11
	SPIA Ch. <i>n</i> Control Register.....	12-12
	SPIA Ch. <i>n</i> Transmit Data Register	12-13
	SPIA Ch. <i>n</i> Receive Data Register	12-13
	SPIA Ch. <i>n</i> Interrupt Flag Register	12-13
	SPIA Ch. <i>n</i> Interrupt Enable Register	12-14

13 I²C (I2C)	13-1
13.1 Overview	13-1
13.2 Input/Output Pins and External Connections	13-2
13.2.1 List of Input/Output Pins.....	13-2
13.2.2 External Connections	13-2
13.3 Clock Settings.....	13-3
13.3.1 I2C Operating Clock	13-3
13.3.2 Clock Supply in DEBUG Mode.....	13-3
13.3.3 Baud Rate Generator.....	13-3
13.4 Operations	13-4
13.4.1 Initialization	13-4
13.4.2 Data Transmission in Master Mode	13-5
13.4.3 Data Reception in Master Mode.....	13-7
13.4.4 10-bit Addressing in Master Mode	13-9
13.4.5 Data Transmission in Slave Mode.....	13-10
13.4.6 Data Reception in Slave Mode	13-12
13.4.7 Slave Operations in 10-bit Address Mode.....	13-14
13.4.8 Automatic Bus Clearing Operation	13-14
13.4.9 Error Detection.....	13-15
13.5 Interrupts.....	13-16
13.6 Control Registers	13-17
I2C Ch. <i>n</i> Clock Control Register	13-17
I2C Ch. <i>n</i> Mode Register.....	13-18
I2C Ch. <i>n</i> Baud-Rate Register.....	13-18
I2C Ch. <i>n</i> Own Address Register	13-18
I2C Ch. <i>n</i> Control Register	13-19
I2C Ch. <i>n</i> Transmit Data Register	13-20
I2C Ch. <i>n</i> Receive Data Register.....	13-20
I2C Ch. <i>n</i> Status and Interrupt Flag Register	13-20
I2C Ch. <i>n</i> Interrupt Enable Register	13-21
14 LCD Driver (LCD8A)	14-1
14.1 Overview	14-1
14.2 Output Pins and External Connections.....	14-2
14.2.1 List of Output Pins.....	14-2
14.2.2 External Connections	14-2
14.3 Clock Settings.....	14-2
14.3.1 LCD8A Operating Clock	14-2
14.3.2 Clock Supply in SLEEP Mode	14-3
14.3.3 Clock Supply in DEBUG Mode.....	14-3
14.3.4 Frame Frequency.....	14-3
14.4 LCD Power Supply.....	14-3
14.4.1 Internal Generation Mode	14-4
14.4.2 External Voltage Application Mode 1.....	14-4
14.4.3 External Voltage Application Mode 2.....	14-4
14.4.4 LCD Voltage Regulator Settings	14-4
14.4.5 LCD Voltage Booster Setting.....	14-5
14.4.6 LCD Contrast Adjustment.....	14-5
14.5 Operations	14-5
14.5.1 Initialization	14-5
14.5.2 Display On/Off	14-6
14.5.3 Inverted Display	14-6
14.5.4 Drive Duty Switching	14-6
14.5.5 Drive Waveforms.....	14-7

CONTENTS

14.5.6	Partial Common Output Drive.....	14-9
14.5.7	n-Segment-Line Inverse AC Drive	14-9
14.6	Display Data RAM	14-9
14.6.1	Display Area Selection.....	14-9
14.6.2	Segment Pin Assignment	14-10
14.6.3	Common Pin Assignment.....	14-10
14.7	Interrupt.....	14-11
14.8	Control Registers	14-12
LCD8A	Clock Control Register.....	14-12
LCD8A	Control Register	14-12
LCD8A	Timing Control Register	14-13
LCD8A	Power Control Register.....	14-13
LCD8A	Display Control Register	14-14
LCD8A	Interrupt Flag Register	14-15
LCD8A	Interrupt Enable Register	14-16
15	R/F Converter (RFC).....	15-1
15.1	Overview	15-1
15.2	Input/Output Pins and External Connections	15-2
15.2.1	List of Input/Output Pins.....	15-2
15.2.2	External Connections	15-2
15.3	Clock Settings.....	15-3
15.3.1	RFC Operating Clock.....	15-3
15.3.2	Clock Supply in SLEEP Mode	15-3
15.3.3	Clock Supply in DEBUG Mode.....	15-3
15.4	Operations	15-3
15.4.1	Initialization	15-3
15.4.2	Operating Modes.....	15-4
15.4.3	RFC Counters	15-4
15.4.4	Converting Operations and Control Procedure	15-5
15.4.5	CR Oscillation Frequency Monitoring Function.....	15-7
15.5	Interrupts.....	15-7
15.6	Control Registers	15-8
RFC Ch.n	Clock Control Register	15-8
RFC Ch.n	Control Register.....	15-8
RFC Ch.n	Oscillation Trigger Register.....	15-9
RFC Ch.n	Measurement Counter Low and High Registers	15-10
RFC Ch.n	Time Base Counter Low and High Registers	15-10
RFC Ch.n	Interrupt Flag Register	15-11
RFC Ch.n	Interrupt Enable Register.....	15-11
16	MR Sensor Controller (AMRC)	16-1
16.1	Overview	16-1
16.2	Input/Output Pins and External Connections	16-2
16.2.1	List of Input/Output Pins.....	16-2
16.2.2	External Connections	16-2
16.3	Clock Settings.....	16-3
16.3.1	AMRC Operating Clock	16-3
16.3.2	Clock Supply in SLEEP Mode	16-3
16.3.3	Clock Supply in DEBUG Mode.....	16-3
16.4	Operations	16-3
16.4.1	Initialization	16-3
16.4.2	Measurement Control and Operations	16-4
16.4.3	Pulse Output Function.....	16-6

16.4.4 Hysteresis Control Function	16-7
16.5 Interrupts.....	16-7
16.6 Control Registers	16-8
AMRC Clock Control Register.....	16-8
AMRC AFE Control Register	16-8
AMRC Pulse Control Register.....	16-9
AMRC Control Register.....	16-9
AMRC Normal Rotation Counter Register	16-11
AMRC Reverse/Stop Counter Register.....	16-11
AMRC Event Counter Ch.x Register	16-11
AMRC Unit Counter Compare Setting Register.....	16-12
AMRC Unit Counter Register	16-12
AMRC Status Register	16-12
AMRC Interrupt Flag Register.....	16-13
AMRC Interrupt Enable Register.....	16-14
17 Electrical Characteristics	17-1
17.1 Absolute Maximum Ratings.....	17-1
17.2 Recommended Operating Conditions	17-1
17.3 Current Consumption.....	17-2
17.4 System Reset Controller (SRC) Characteristics.....	17-3
17.5 Clock Generator (CLG) Characteristics.....	17-3
17.6 Flash Memory Characteristics	17-4
17.7 Input/Output Port (PPORT) Characteristics	17-5
17.8 Supply Voltage Detector (SVD) Characteristics	17-6
17.9 UART (UART) Characteristics	17-7
17.10 Synchronous Serial Interface (SPIA) Characteristics	17-7
17.11 I ² C (I2C) Characteristics.....	17-8
17.12 LCD Driver (LCD8A) Characteristics	17-9
17.13 R/F Converter (RFC) Characteristics.....	17-11
17.14 MR Sensor Controller (AMRC) Characteristics	17-12
18 Basic External Connection Diagram	18-1
19 Package.....	19-1
Appendix A List of Peripheral Circuit Control Registers	AP-A-1
0x4000–0x4008 Misc Registers (MISC).....	AP-A-1
0x4020 Power Generator (PWG).....	AP-A-1
0x4040–0x404e Clock Generator (CLG).....	AP-A-1
0x4080–0x408e Interrupt Controller (ITC).....	AP-A-2
0x40a0–0x40a2 Watchdog Timer (WDT)	AP-A-3
0x40c0–0x40d2 Real-time Clock (RTCA).....	AP-A-4
0x4100–0x4106 Supply Voltage Detector (SVD).....	AP-A-5
0x4160–0x416c 16-bit Timer (T16) Ch.0.....	AP-A-6
0x41b0 Flash Controller (FLASHC)	AP-A-6
0x4200–0x42e2 I/O Ports (PPORT)	AP-A-6
0x4380–0x438e UART (UART).....	AP-A-9
0x43a0–0x43ac 16-bit Timer (T16) Ch.1.....	AP-A-10
0x43b0–0x43ba Synchronous Serial Interface (SPIA) Ch.0	AP-A-11
0x43c0–0x43d2 I ² C (I2C)	AP-A-12
0x5100–0x510c 16-bit Timer (T16) Ch.2.....	AP-A-13
0x5120–0x512c 16-bit Timer (T16) Ch.3.....	AP-A-13
0x5260–0x526c 16-bit Timer (T16) Ch.4.....	AP-A-14
0x5270–0x527a Synchronous Serial Interface (SPIA) Ch.1	AP-A-14

CONTENTS

0x5400–0x540c	LCD Driver (LCD8A).....	AP-A-15
0x5440–0x5450	R/F Converter (RFC).....	AP-A-16
0x5480–0x549e	MR Sensor Controller (AMRC).....	AP-A-17
0xffff90	Debugger (DBG).....	AP-A-18
Appendix B	Power Saving	AP-B-1
B.1	Operating Status Configuration Examples for Power Saving.....	AP-B-1
B.2	Other Power Saving Methods	AP-B-2
Appendix C	Mounting Precautions	AP-C-1
Appendix D	Measures Against Noise	AP-D-1
Appendix E	Initialization Routine	AP-E-1
Revision History		

1 Overview

The S1C17M01 is an ultra low-power MCU equipped with an MR (magneto-resistive) sensor controller that allows an MR sensor array optimized for flow measurement (recommended sensor: KG1205-61 manufactured by KOHDEN Co., Ltd.) to be connected directly. This IC includes an LCD driver to display the flow count and the readouts on the indicator, and the synchronous serial interface, UART, and I²C interface for wireless communication with a remote meter reading system. This IC allows measurement of various environmental conditions such as a temperature and humidity measurement using the R/F converter, and a supply voltage measurement using the supply voltage detector.

1.1 Features

Table 1.1.1 Features

Model	S1C17M01
CPU	
CPU core	Seiko Epson original 16-bit RISC CPU core S1C17
Other	On-chip debugger
Embedded Flash memory	
Capacity	32K bytes (for both instructions and data)
Erase/program count	50 times (min.) * Programming by the debugging tool ICDmini
Other	Security function to protect from reading/programming by ICDmini On-board programming function using ICDmini
Embedded RAM	
Capacity	4K bytes
Embedded display RAM	
Capacity	32 bytes
Clock generator (CLG)	
System clock source	3 sources (IOSC/OSC1/EXOSC)
System clock frequency (operating frequency)	16.3 MHz (max.)
IOSC oscillator circuit (boot clock source)	7.37 MHz (typ.) embedded oscillator 5 μs (max.) starting time (time from cancelation of SLEEP state to vector table read by the CPU)
OSC1 oscillator circuit	32.768 kHz (typ.) crystal oscillator Oscillation stop detection circuit included
EXOSC clock input	16.3 MHz (max.) square or sine wave input
Other	Configurable system clock division ratio Configurable system clock used at wake up from SLEEP state Operating clock frequency for the CPU and all peripheral circuits is selectable.
I/O port (PPORT)	
Number of general-purpose I/O ports	19 bits (max.) (Pins are shared with the peripheral I/O.)
Number of input interrupt ports	8 bits
Timers	
Watchdog timer (WDT)	Generates watchdog timer reset.
Real-time clock (RTCA)	128–1 Hz counter, second/minute/hour/day/day of the week/month/year counters Theoretical regulation function for 1-second correction Alarm and stopwatch functions
16-bit timer (T16)	5 channels 2 channels can generate the SPIA master clock.
Supply voltage detector (SVD)	
Detection level	20 levels (1.8 to 3.7 V)
Other	Intermittent operation mode Generates an interrupt or reset according to the detection level evaluation.
Serial interfaces	
UART (UART)	1 channel Baud-rate generator included, IrDA1.0 supported
Synchronous Serial Interface (SPIA)	2 channels The 16-bit timer (T16) can be used for the baud-rate generator in master mode.
I ² C (I2C)	1 channel Baud-rate generator included

1 OVERVIEW

LCD driver (LCD8A)	
LCD output	32 SEG × 1 to 4 COM (max.), 28 SEG × 5 to 8 COM (max.)
LCD contrast	16 levels (2.55 to 3.44 V)
Other	1/3 bias power supply included, external voltage can be applied.
R/F converter (RFC)	
Conversion method	CR oscillation type with 24-bit counters
Number of conversion channels	1 channel (Up to two sensors can be connected.)
Supported sensors	DC-bias resistive sensors and AC-bias resistive sensors
MR sensor controller (AMRC)	
MR sensor interface	MR sensor is directly connectable.
Measurement functions	Evaluates normal rotation, reverse rotation, stop, and phase dropout by inputting analog rotation phase signals from an MR sensor.
External interface	Pulse output function External hysteresis resistor control function
Reset	
#RESET pin	Reset when the reset pin is set to low.
Watchdog timer reset	Reset when the watchdog timer overflows (can be enabled/disabled using a register).
Supply voltage detector reset	Reset when the supply voltage detector detects the set voltage level (can be enabled/disabled using a register).
Interrupt	
Non-maskable interrupt	4 systems (Reset, address misaligned interrupt, debug, NMI)
Programmable interrupt	External interrupt: 1 system (8 levels) Internal interrupt: 15 systems (8 levels)
Power supply voltage	
V _{DD} operating voltage	1.8 to 5.5 V
V _{DD} operating voltage when AMRC is active	2.0 to 5.5 V
V _{DD} operating voltage for Flash programming	1.8 to 5.5 V (V _{PP} = 7.5 V external power supply is required.)
Operating temperature	
Operating temperature range	-40 to 85 °C
Current consumption	
SLEEP mode	0.35 μA I _{OSC} = OFF, OSC1 = OFF, V _{DD} = 3.6 V
HALT mode	0.8 μA I _{OSC} = OFF, OSC1 = 32 kHz, RTC = ON, V _{DD} = 3.6 V 1.3 μA I _{OSC} = OFF, OSC1 = 32 kHz, RTC = ON, CPU = OSC1, LCD = ON (no panel load, V _{C2} reference)
RUN mode	12.5 μA I _{OSC} = OFF, OSC1 = 32 kHz, RTC = ON, CPU = OSC1, LCD = ON (no panel load, V _{C2} reference) 2.5 mA @ 1/1 divided clock I _{OSC} = ON, OSC1 = 32 kHz, RTC = ON, CPU = I _{OSC} , LCD = OFF (no panel load) 500 μA @ 1/8 divided clock I _{OSC} = ON, OSC1 = 32 kHz, RTC = ON, CPU = I _{OSC} , LCD = OFF (no panel load)
Shipping form	
1	*1 QFP13-64PIN (P-LQFP064-1010-0.50, 10 × 10 mm, t = 1.7 mm, 0.5 mm pitch)
2	Die form (Pad pitch: 100 μm)

*1 Shown in parentheses is a JEITA package name.

1.2 Block Diagram

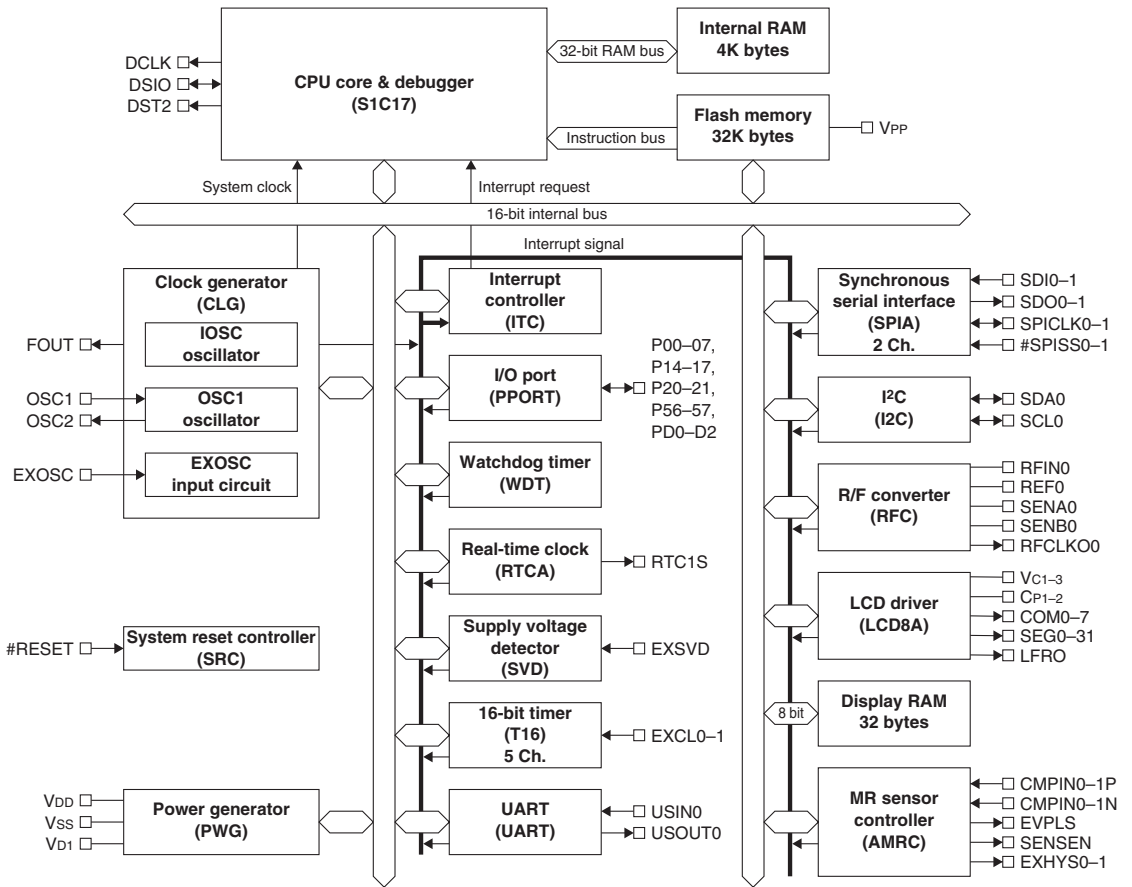


Figure 1.2.1 S1C17M01 Block Diagram

1.3 Pins

1.3.1 Pin Configuration Diagram (TQFP13-64PIN)

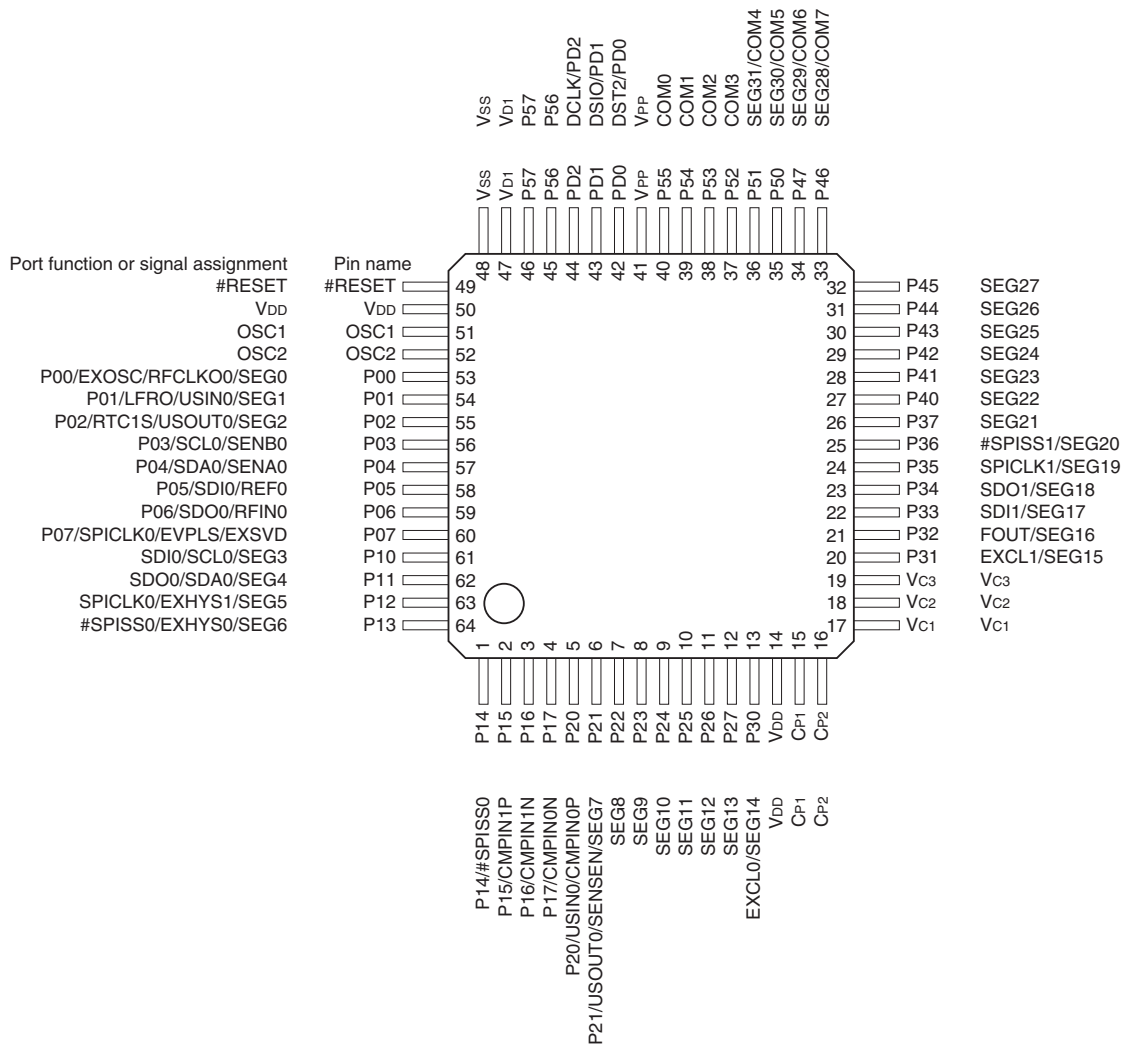


Figure 1.3.1.1 S1C17M01 Pin Configuration Diagram (TQFP13-64PIN)

1.3.2 Pad Configuration Diagram (Chip)

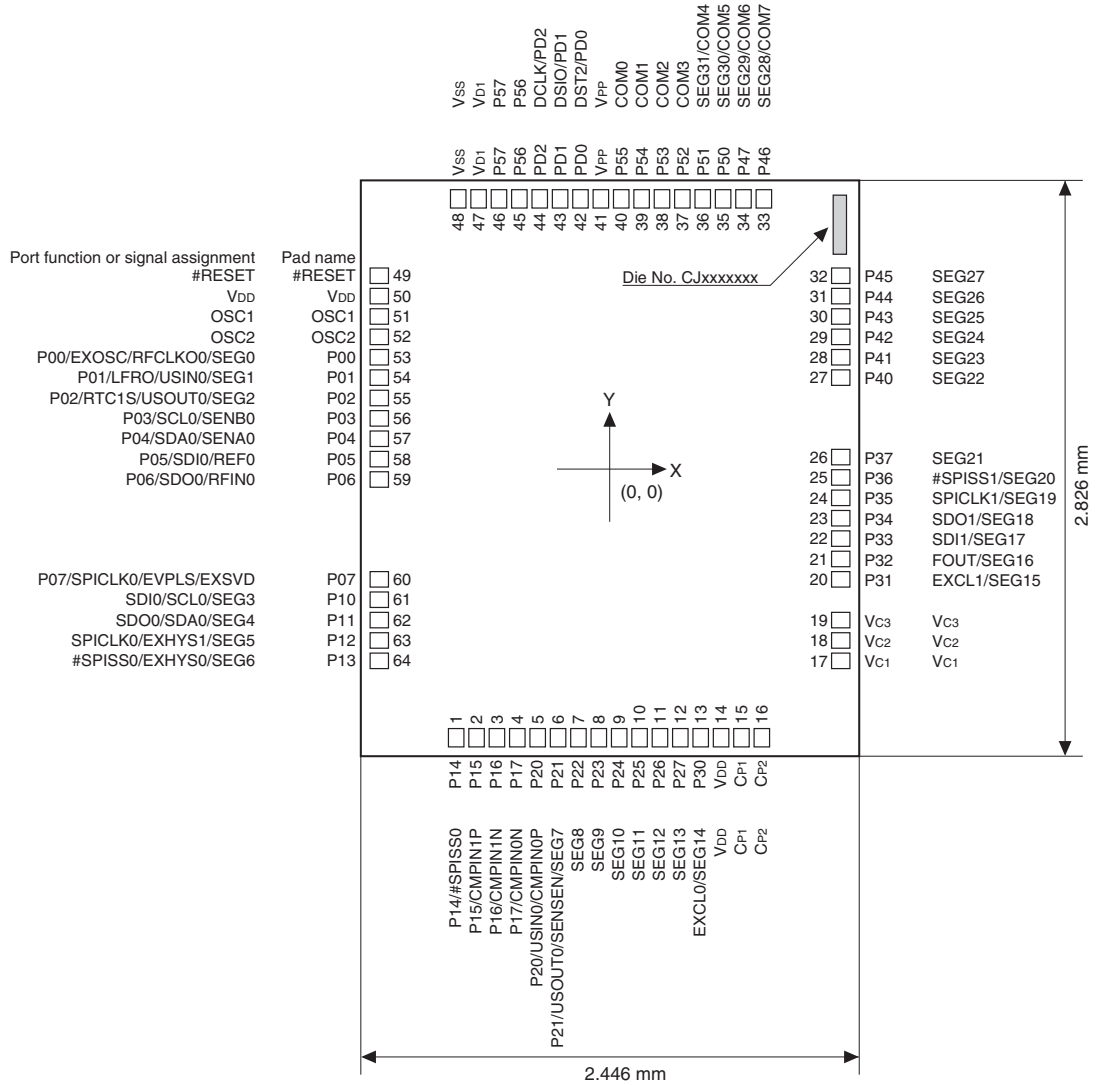


Figure 1.3.2.1 S1C17M01 Pad Configuration Diagram (Chip)

Pad opening No. 1–16, 33–48: X = 76 μm, Y = 90 μm
 No. 17–32, 49–64: X = 90 μm, Y = 76 μm
 Chip thickness 400 μm

Table 1.3.2.1 Pad Coordinates

No.	X μm	Y μm	No.	X μm	Y μm	No.	X μm	Y μm	No.	X μm	Y μm
1	-755.0	-1,322.3	17	1,132.3	-945.0	33	755.0	1,322.3	49	-1,132.3	945.0
2	-655.0	-1,322.3	18	1,132.3	-845.0	34	655.0	1,322.3	50	-1,132.3	845.0
3	-555.0	-1,322.3	19	1,132.3	-745.0	35	555.0	1,322.3	51	-1,132.3	745.0
4	-455.0	-1,322.3	20	1,132.3	-645.0	36	455.0	1,322.3	52	-1,132.3	645.0
5	-355.0	-1,322.3	21	1,132.3	-545.0	37	355.0	1,322.3	53	-1,132.3	545.0
6	-245.0	-1,322.3	22	1,132.3	-445.0	38	255.0	1,322.3	54	-1,132.3	445.0
7	-145.0	-1,322.3	23	1,132.3	-345.0	39	155.0	1,322.3	55	-1,132.3	345.0
8	-45.0	-1,322.3	24	1,132.3	-245.0	40	55.0	1,322.3	56	-1,132.3	245.0
9	55.0	-1,322.3	25	1,132.3	-145.0	41	-55.0	1,322.3	57	-1,132.3	145.0
10	155.0	-1,322.3	26	1,132.3	-45.0	42	-155.0	1,322.3	58	-1,132.3	45.0
11	255.0	-1,322.3	27	1,132.3	45.0	43	-255.0	1,322.3	59	-1,132.3	-55.0
12	355.0	-1,322.3	28	1,132.3	145.0	44	-355.0	1,322.3	60	-1,132.3	-145.0
13	455.0	-1,322.3	29	1,132.3	245.0	45	-455.0	1,322.3	61	-1,132.3	-245.0
14	555.0	-1,322.3	30	1,132.3	345.0	46	-555.0	1,322.3	62	-1,132.3	-345.0
15	655.0	-1,322.3	31	1,132.3	445.0	47	-655.0	1,322.3	63	-1,132.3	-445.0
16	755.0	-1,322.3	32	1,132.3	545.0	48	-755.0	1,322.3	64	-1,132.3	-545.0

1.3.3 Pin Descriptions

Symbol meanings

Assigned signal: The signal listed at the top of each pin is assigned in the initial state. The pin function must be switched via software to assign another signal (see the “I/O Ports” chapter).

I/O: I = Input
 O = Output
 I/O = Input/output
 P = Power supply
 A = Analog signal
 Hi-Z = High impedance state

Initial state: I (Pull-up) = Input with pulled up
 I (Pull-down) = Input with pulled down
 Hi-Z = High impedance state
 O (H) = High level output
 O (L) = Low level output

Table 1.3.3.1 Pin description

Pin/pad name	Assigned signal	I/O	Initial state	Tolerant fail-safe structure	Function
VDD	VDD	P	–	–	Power supply (+)
VSS	VSS	P	–	–	GND
VPP	VPP	P	–	–	Power supply for Flash programming
VD1	VD1	A	–	–	Embedded regulator output
VC1	VC1	P	–	–	LCD panel drive power
VC2	VC2	P	–	–	LCD panel drive power
VC3	VC3	P	–	–	LCD panel drive power
CP1	CP1	A	–	–	LCD voltage boost capacitor connect pin
CP2	CP2	A	–	–	LCD voltage boost capacitor connect pin
#RESET	#RESET	I	I (Pull-up)	–	Reset input
P00	P00	I/O	Hi-Z	✓	I/O port
	EXOSC	I			Clock generator external clock input
	RFCLK00	O			R/F converter Ch.0 clock monitor output
	SEG0	O			LCD segment output
P01	P01	I/O	Hi-Z	✓	I/O port
	LFRO	O			LCD frame signal monitor output
	USIN0	I			UART Ch.0 data input
	SEG1	O			LCD segment output
P02	P02	I/O	Hi-Z	✓	I/O port
	RTC1S	O			Real-time clock 1-second cycle pulse output
	USOUT0	O			UART Ch.0 data output
	SEG2	O			LCD segment output
P03	P03	I/O	Hi-Z	–	I/O port
	SCL0	I/O			I ² C Ch.0 clock input/output
	SEN0	A			R/F converter Ch.0 sensor B oscillator pin
P04	P04	I/O	Hi-Z	–	I/O port
	SDA0	I/O			I ² C Ch.0 data input/output
	SENA0	A			R/F converter Ch.0 sensor A oscillator pin
P05	P05	I/O	Hi-Z	–	I/O port
	SDI0	I			Synchronous serial interface Ch.0 data input
	REF0	A			R/F converter Ch.0 reference oscillator pin
P06	P06	I/O	Hi-Z	–	I/O port
	SDO0	O			Synchronous serial interface Ch.0 data output
	RFIN0	A			R/F converter Ch.0 oscillation input
P07	P07	I/O	Hi-Z	–	I/O port
	SPICLK0	I/O			Synchronous serial interface Ch.0 clock input/output
	EVPLS	O			MR sensor controller pulse output
	EXSVD	A			External power supply voltage detection input

Pin/pad name	Assigned signal	I/O	Initial state	Tolerant fail-safe structure	Function
P10	–	Hi-Z	Hi-Z	✓	–
	SDI0	I			Synchronous serial interface Ch.0 data input
	SCL0	I/O			I ² C Ch.0 clock input/output
	SEG3	A			LCD segment output
P11	–	Hi-Z	Hi-Z	✓	–
	SDO0	O			Synchronous serial interface Ch.0 data output
	SDA0	I/O			I ² C Ch.0 data input/output
	SEG4	A			LCD segment output
P12	–	Hi-Z	Hi-Z	✓	–
	SPICLK0	I/O			Synchronous serial interface Ch.0 clock input/output
	EXHYS1	O			MR sensor controller external hysteresis control output Ch.1
	SEG5	A			LCD segment output
P13	–	Hi-Z	Hi-Z	✓	–
	#SPISS0	I			Synchronous serial interface Ch.0 slave-select input
	EXHYS0	O			MR sensor controller external hysteresis control output Ch.0
	SEG6	A			LCD segment output
P14	P14	I/O	Hi-Z	–	I/O port
	#SPISS0	I			Synchronous serial interface Ch.0 slave-select input
P15	P15	I/O	Hi-Z	–	I/O port
	CMPIN1P	A			MR sensor controller comparator Ch.1 input +
P16	P16	I/O	Hi-Z	–	I/O port
	CMPIN1N	A			MR sensor controller comparator Ch.1 input –
P17	P17	I/O	Hi-Z	–	I/O port
	CMPIN0N	A			MR sensor controller comparator Ch.0 input –
P20	P20	I/O	Hi-Z	–	I/O port
	USIN0	I			UART Ch.0 data input
	CMPIN0P	A			MR sensor controller comparator Ch.0 input +
P21	P21	I/O	Hi-Z	✓	I/O port
	USOUT0	O			UART Ch.0 data output
	SENSEN	O			MR sensor controller magnetic sensor enable output
	SEG7	A			LCD segment output
P22	–	Hi-Z	Hi-Z	✓	–
	SEG8	A			LCD segment output
P23	–	Hi-Z	Hi-Z	✓	–
	SEG9	A			LCD segment output
P24	–	Hi-Z	Hi-Z	✓	–
	SEG10	A			LCD segment output
P25	–	Hi-Z	Hi-Z	✓	–
	SEG11	A			LCD segment output
P26	–	Hi-Z	Hi-Z	✓	–
	SEG12	A			LCD segment output
P27	–	Hi-Z	Hi-Z	✓	–
	SEG13	A			LCD segment output
P30	–	Hi-Z	Hi-Z	✓	–
	EXCL0	I			16-bit timer Ch.2 external clock input
	SEG14	A			LCD segment output
P31	–	Hi-Z	Hi-Z	✓	–
	EXCL1	I			16-bit timer Ch.3 external clock input
	SEG15	A			LCD segment output
P32	–	Hi-Z	Hi-Z	✓	–
	FOUT	O			Clock external output
	SEG16	A			LCD segment output
P33	–	Hi-Z	Hi-Z	✓	–
	SDI1	I			Synchronous serial interface Ch.1 data input
	SEG17	A			LCD segment output

1 OVERVIEW

Pin/pad name	Assigned signal	I/O	Initial state	Tolerant fail-safe structure	Function
P34	–	Hi-Z	Hi-Z	✓	–
	SDO1	O			Synchronous serial interface Ch.1 data output
	SEG18	A			LCD segment output
P35	–	Hi-Z	Hi-Z	✓	–
	SPICLK1	I/O			Synchronous serial interface Ch.1 clock input/output
	SEG19	A			LCD segment output
P36	–	Hi-Z	Hi-Z	✓	–
	#SPISS1	I			Synchronous serial interface Ch.1 slave-select input
	SEG20	A			LCD segment output
P37	–	Hi-Z	Hi-Z	✓	–
	SEG21	A			LCD segment output
P40	–	Hi-Z	Hi-Z	✓	–
	SEG22	A			LCD segment output
P41	–	Hi-Z	Hi-Z	✓	–
	SEG23	A			LCD segment output
P42	–	Hi-Z	Hi-Z	✓	–
	SEG24	A			LCD segment output
P43	–	Hi-Z	Hi-Z	✓	–
	SEG25	A			LCD segment output
P44	–	Hi-Z	Hi-Z	✓	–
	SEG26	A			LCD segment output
P45	–	Hi-Z	Hi-Z	✓	–
	SEG27	A			LCD segment output
P46	–	Hi-Z	Hi-Z	✓	–
	COM7	A			LCD common output
	SEG28	A			LCD segment output
P47	–	Hi-Z	Hi-Z	✓	–
	COM6	A			LCD common output
	SEG29	A			LCD segment output
P50	–	Hi-Z	Hi-Z	✓	–
	COM5	A			LCD common output
	SEG30	A			LCD segment output
P51	–	Hi-Z	Hi-Z	✓	–
	COM4	A			LCD common output
	SEG31	A			LCD segment output
P52	–	Hi-Z	Hi-Z	✓	–
	COM3	A			LCD common output
P53	–	Hi-Z	Hi-Z	✓	–
	COM2	A			LCD common output
P54	–	Hi-Z	Hi-Z	✓	–
	COM1	A			LCD common output
P55	–	Hi-Z	Hi-Z	✓	–
	COM0	A			LCD common output
P56	P56	I/O	Hi-Z	✓	I/O port
P57	P57	I/O	Hi-Z	✓	I/O port
PD0	DST2	O	O (L)	✓	On-chip debugger status output
	PD0	I/O			I/O port
PD1	DSIO	I/O	I (pull-up)	✓	On-chip debugger data input/output
	PD1	I/O			I/O port
PD2	DCLK	O	O (H)	✓	On-chip debugger clock output
	PD2	O			Output port
OSC1	OSC1	A	–	–	OSC1 oscillator circuit input
OSC2	OSC2	A	–	–	OSC1 oscillator circuit output

Note: In the peripheral circuit descriptions, the assigned signal name is used as the pin name.

2 Power Supply, Reset, and Clocks

The power supply, reset, and clocks in this IC are managed by the embedded power generator, system reset controller, and clock generator, respectively.

2.1 Power Generator (PWG)

2.1.1 Overview

PWG is the power generator that controls the internal power supply system to drive this IC with stability and low power. The main features of PWG are outlined below.

- Embedded V_{D1} regulator
 - The V_{D1} regulator generates the V_{D1} voltage to drive internal circuits, this makes it possible to keep current consumption constant independent of the V_{DD} voltage level.
 - The V_{D1} regulator supports two operation modes, normal mode and economy mode, and setting the V_{D1} regulator into economy mode at light loads helps achieve low-power operations.

Figure 2.1.1.1 shows the PWG configuration.

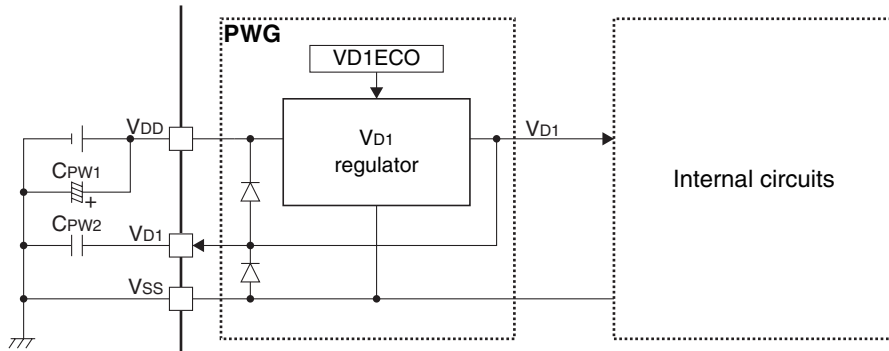


Figure 2.1.1.1 PWG Configuration

2.1.2 Pins

Table 2.1.2.1 lists the PWG pins.

Table 2.1.2.1 List of PWG Pins

Pin name	I/O	Initial status	Function
V_{DD}	P	–	Power supply (+)
V_{SS}	P	–	GND
V_{D1}	A	–	Embedded regulator output pin

For the V_{DD} operating voltage range and recommended external parts, refer to “Recommended Operating Conditions, Power supply voltage V_{DD} ” in the “Electrical Characteristics” chapter and the “Basic External Connection Diagram” chapter, respectively.

2.1.3 V_{D1} Regulator Operation Mode

The V_{D1} regulator supports two operation modes, normal mode and economy mode. Setting the V_{D1} regulator into economy mode at light loads helps achieve low-power operations. Table 2.1.3.1 lists examples of light load conditions in which economy mode can be set.

Table 2.1.3.1 Examples of Light Load Conditions in which Economy Mode Can be Set

Light load condition	Exceptions
SLEEP mode (when all oscillators are stopped, or OSC1 only is active)	When a clock source except for OSC1 is active
HALT mode (when OSC1 only is active)	
RUN mode (when OSC1 only is active)	

The V_{DI} regulator also supports automatic mode in which the hardware detects a light load condition and automatically switches between normal mode and economy mode. Use the V_{DI} regulator in automatic mode when no special control is required.

2.2 System Reset Controller (SRC)

2.2.1 Overview

SRC is the system reset controller that resets the internal circuits according to the requests from the reset sources to archive steady IC operations. The main features of SRC are outlined below.

- Embedded reset hold circuit maintains reset state to boot the system safely while the internal power supply is unstable after power on or the oscillation frequency is unstable after the clock source is initiated.
- Supports reset requests from multiple reset sources.
 - #RESET pin
 - Watchdog timer reset
 - Supply voltage detector reset
 - Peripheral circuit software reset (supports some peripheral circuits only)
- The CPU registers and peripheral circuit control bits will be reset with an appropriate initialization condition according to changes in status.

Figure 2.2.1.1 shows the SRC configuration.

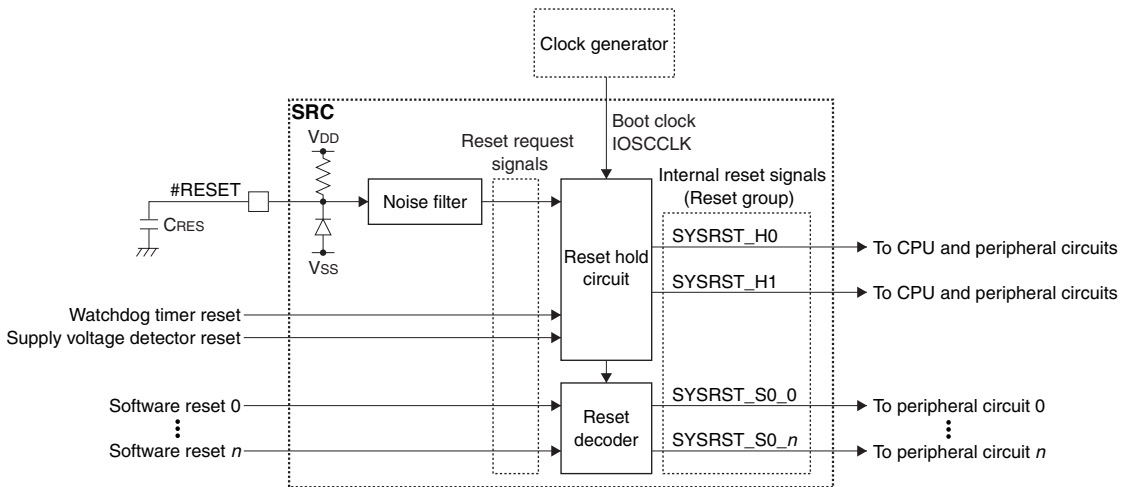


Figure 2.2.1.1 SRC Configuration

2.2.2 Input Pin

Table 2.2.2.1 shows the SRC pin.

Table 2.2.2.1 SRC Pin

Pin name	I/O	Initial status	Function
#RESET	I	I (Pull-up)	Reset input

The #RESET pin is connected to the noise filter that removes pulses not conforming to the requirements. An internal pull-up resistor is connected to the #RESET pin, so the pin can be left open. For the #RESET pin characteristics, refer to “#RESET pin characteristics” in the “Electrical Characteristics” chapter.

2.2.3 Reset Sources

The reset source refers to causes that request system initialization. The following shows the reset sources.

#RESET pin

Inputting a reset signal with a certain low level period to the #RESET pin issues a reset request.

Furthermore, a power-on-reset function can be implemented by connecting an external capacitor to the #RESET pin.

Watchdog timer reset

The watchdog timer issues a reset request when the counter overflows. This helps return the runaway CPU to a normal operating state. For more information, refer to the “Watchdog timer” chapter.

Supply voltage detector reset

By enabling the low power supply voltage detection reset function, the supply voltage detector will issue a reset request when a drop in the power supply voltage is detected. This makes it possible to put the system into reset state if the IC must be stopped under a low voltage condition. For more information, refer to the “Supply Voltage Detector” chapter.

Peripheral circuit software reset

Some peripheral circuits provide a control bit for software reset (MODEN or SFTRST). Setting this bit initializes the peripheral circuit control bits. Note, however, that the software reset operations depend on the peripheral circuit. For more information, refer to “Control Registers” in each peripheral circuit chapter.

Note: The MODEN bit of some peripheral circuits does not issue software reset.

2.2.4 Initialization Conditions (Reset Groups)

A different initialization condition is set for the CPU registers and peripheral circuit control bits, individually. The reset group refers to an initialization condition. Initialization is performed when a reset source included in a reset group issues a reset request. Table 2.2.4.1 lists the reset groups. For the reset group to initialize the registers and control bits, refer to the “CPU and Debugger” chapter or “Control Registers” in each peripheral circuit chapter.

Table 2.2.4.1 List of Reset Groups

Reset group	Reset source	Reset cancelation timing
H0	#RESET pin Supply voltage detector reset Watchdog timer reset	Reset state is maintained for the reset hold time t_{RSTH} after the reset request is canceled.
H1	#RESET pin	
S0	Peripheral circuit software reset (MODEN and SFTRST bits. The software reset operations depend on the peripheral circuit.	Reset state is canceled immediately after the reset request is canceled.

2.3 Clock Generator (CLG)

2.3.1 Overview

CLG is the clock generator that controls the clock sources and manages clock supply to the CPU and the peripheral circuits. The main features of CLG are outlined below.

- Supports multiple clock sources.
 - IOSC oscillator circuit that oscillates with a fast startup and no external parts required
 - High-precision and low-power OSC1 oscillator circuit that uses a 32.768 kHz crystal resonator
 - EXOSC clock input circuit that allows input of square wave and sine wave clock signals
- The system clock (SYSCLK), which is used as the operating clock for the CPU and bus, and the peripheral circuit operating clocks can be configured individually by selecting the suitable clock source and division ratio.
- IOSCCLK output from the IOSC oscillator circuit is used as the boot clock for fast booting.

2 POWER SUPPLY, RESET, AND CLOCKS

- Controls the oscillator and clock input circuits to enable/disable according to the operating mode, RUN or SLEEP mode.
- Provides a flexible system clock switching function at SLEEP mode cancellation.
 - The clock sources to be stopped in SLEEP mode can be selected.
 - SYSCLK to be used at SLEEP mode cancellation can be selected from all clock sources.
 - The oscillator and clock input circuit on/off state can be maintained or changed at SLEEP mode cancellation.
- Provides the FOUT function to output an internal clock for driving external ICs or for monitoring the internal state.

Figure 2.3.1.1 shows the CLG configuration.

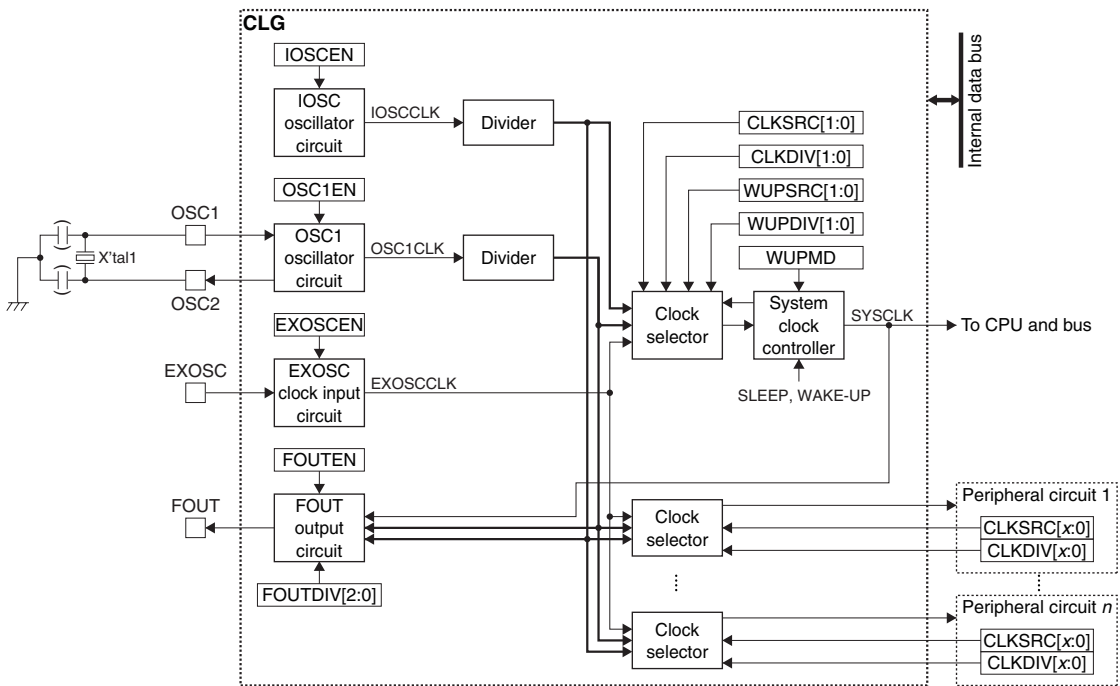


Figure 2.3.1.1 CLG Configuration

2.3.2 Input/Output Pins

Table 2.3.2.1 lists the CLG pins.

Table 2.3.2.1 List of CLG Pins

Pin name	I/O*	Initial status*	Function
OSC1	A	–	OSC1 oscillator circuit input
OSC2	A	–	OSC1 oscillator circuit output
EXOSC	I	I	EXOSC clock input
FOUT	O	O (L)	FOUT clock output

* Indicates the status when the pin is configured for CLG.

If the port is shared with the CLG input/output function and other functions, the CLG function must be assigned to the port. For more information, refer to the “I/O Ports” chapter.

2.3.3 Clock Sources

IOSC oscillator circuit

The IOSC oscillator circuit features a fast startup and no external parts are required for oscillating. Figure 2.3.3.1 shows the configuration of the IOSC oscillator circuit.

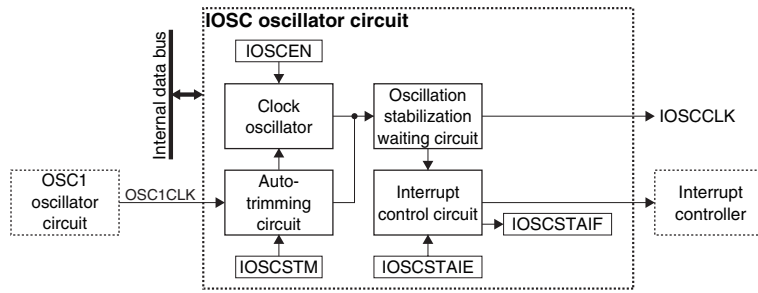


Figure 2.3.3.1 IOSC Oscillator Circuit Configuration

The IOSC oscillator circuit output clock IOSCCLK is used as SYSCLK at booting. The IOSC oscillator circuit is equipped with an auto-trimming function that automatically adjusts the frequency. This helps reduce frequency deviation due to unevenness in manufacturing quality, temperature, and changes in voltage. For more information on the auto-trimming function and the oscillation characteristics, refer to “IOSC oscillation auto-trimming function” in this chapter and “IOSC oscillator circuit characteristics” in the “Electrical Characteristics” chapter, respectively.

OSC1 oscillator circuit

The OSC1 oscillator circuit is a high-precision and low-power oscillator circuit that uses a 32.768 kHz crystal resonator. Figure 2.3.3.2 shows the configuration of the OSC1 oscillator circuit.

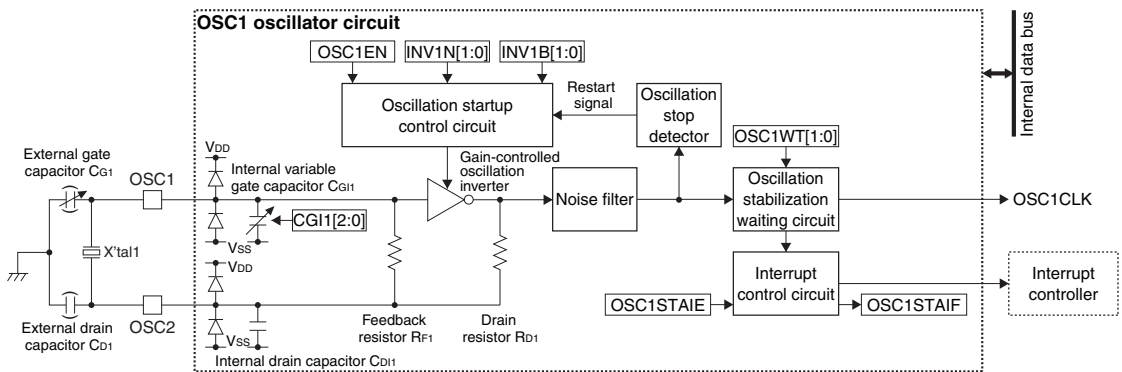


Figure 2.3.3.2 OSC1 Oscillator Circuit Configuration

This oscillator circuit includes a gain-controlled oscillation inverter and a variable gate capacitor allowing use of various crystal resonators with ranges from cylinder type through surface-mount type.

The oscillator circuit also includes a feedback resistor and a drain resistor, so no external parts are required except for a crystal resonator. The embedded oscillation stop detector, which detects oscillation stop and restarts the oscillator, allows the system to operate in safety under adverse environments that may stop the oscillation. The oscillation startup control circuit operates for a set period of time after the oscillation is enabled to assist the oscillator in initiating, this makes it possible to use a low-power resonator that is difficult to start up. For the recommended parts and the oscillation characteristics, refer to the “Basic External Connection Diagram” chapter and “OSC1 oscillator circuit characteristics” in the “Electrical Characteristics” chapter, respectively.

Note: Depending on the circuit board or the crystal resonator type used, an external gate capacitor C_{G1} and a drain capacitor C_{D1} may be required.

EXOSC clock input

EXOSC is an external clock input circuit that supports square wave and sine wave clocks. Figure 2.3.3.3 shows the configuration of the EXOSC clock input circuit.

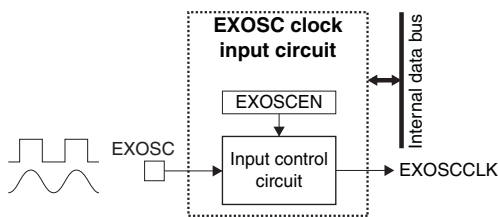


Figure 2.3.3.3 EXOSC Clock Input Circuit

EXOSC has no oscillation stabilization waiting circuit included, therefore, it must be enabled when a stabilized clock is being supplied. For the input clock characteristics, refer to “EXOSC external clock input characteristics” in the “Electrical Characteristics” chapter.

2.3.4 Operations

Oscillation start time and oscillation stabilization waiting time

The oscillation start time refers to the time after the oscillator circuit is enabled until the oscillation signal is actually sent to the internal circuits. The oscillation stabilization waiting time refers to the time it takes the clock to stabilize after the oscillation starts. To avoid malfunctions of the internal circuits due to an unstable clock during this period, the oscillator circuit includes an oscillation stabilization waiting circuit that can disable supplying the clock to the system until the designated time has elapsed. Figure 2.3.4.1 shows the relationship between the oscillation start time and the oscillation stabilization waiting time.

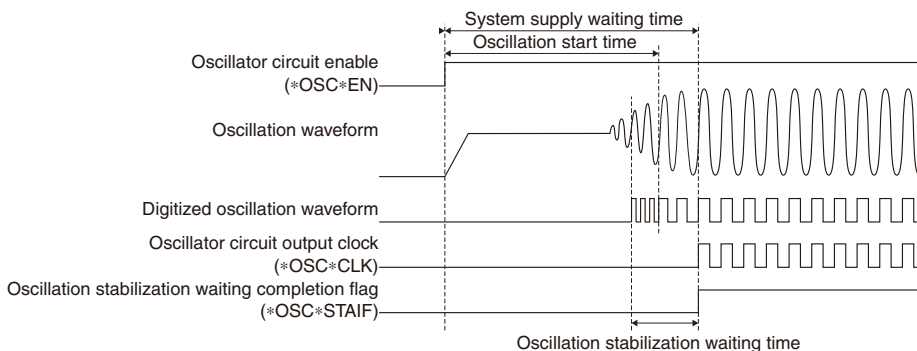


Figure 2.3.4.1 Oscillation Start Time and Oscillation Stabilization Waiting Time

The oscillation stabilization waiting time for the OSC1 oscillator circuit can be set using the CLGOSC1.OSC1WT[1:0] bits. Allow an ample margin for the setting value according to the resonator type used. To check whether the oscillation stabilization waiting time is set properly and the clock is stabilized immediately after the oscillation starts or not, monitor the oscillation clock using the FOUT output function. The oscillation stabilization waiting time for the IOSC oscillator circuit is fixed at 16 IOSCLLK clocks. The oscillation stabilization waiting time for the OSC1 oscillator circuit should be set to 16,384 OSC1CLK clocks or more.

When the oscillation stabilization waiting operation has completed, the oscillator circuit sets the oscillation stabilization waiting completion flag and starts clock supply to the internal circuits.

Note: The oscillation stabilization waiting time is always expended at start of oscillation even if the oscillation stabilization waiting completion flag has not be cleared to 0.

When the oscillation startup control circuit in the OSC1 oscillator circuit is enabled by setting the CLGOSC1.OSC1BUP bit to 1, it uses the high-gain oscillation inverter for a set period of time (startup boosting operation) after the oscillator circuit is enabled (by setting the CLGOSC.OSC1EN bit to 1) to reduce oscillation start time. Note, however, that the oscillation operation may become unstable if there is a large gain differential between normal operation and startup boosting operation. Furthermore, the oscillation start time being actually reduced depends on the characteristics of the resonator used. Figure 2.3.4.2 shows an operation example when the oscillation start-up control circuit is used.

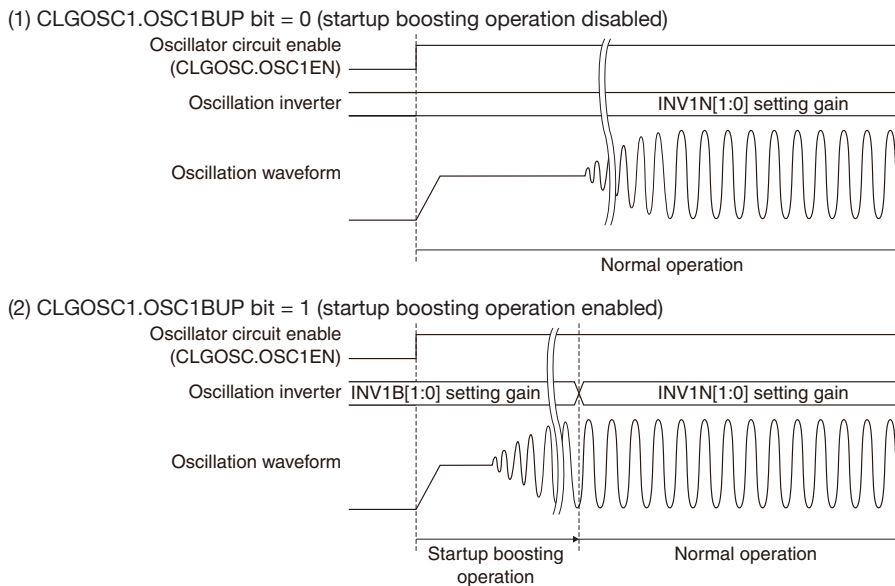


Figure 2.3.4.2 Operation Example when the Oscillation Startup Control Circuit is Used

Oscillation start procedure for the IOSC oscillator circuit

Follow the procedure shown below to start oscillation of the IOSC oscillator circuit.

1. Write 1 to the CLGINTF.IOSCSTAIF bit. (Clear interrupt flag)
2. Write 1 to the CLGINTE.IOSCSTAIE bit. (Enable interrupt)
3. Write 1 to the CLGOSC.IOSCEN bit. (Start oscillation)
4. IOSCCLK can be used if the CLGINTF.IOSCSTAIF bit = 1 after an interrupt occurs.

Oscillation start procedure for the OSC1 oscillator circuit

Follow the procedure shown below to start oscillation of the OSC1 oscillator circuit.

1. Write 1 to the CLGINTF.OSC1STAIF bit. (Clear interrupt flag)
2. Write 1 to the CLGINTE.OSC1STAIE bit. (Enable interrupt)
3. Write 0x0096 to the MSCPROT.PROT[15:0] bits. (Remove system protection)
4. Configure the following CLGOSC1 register bits according to the resonator used:
 - CLGOSC1.INV1N[1:0] bits (Set oscillation inverter gain)
 - CLGOSC1.CGII[2:0] bits (Set internal gate capacitor)
 - CLGOSC1.OSC1WT[1:0] bits (Set oscillation stabilization waiting time)

In addition to the above, configure the following bits when using the oscillation startup control circuit (see Figure 2.3.4.2):

- CLGOSC1.INV1B[1:0] bits (Set oscillation inverter gain for startup boosting period)
 - Set the CLGOSC1.OSC1BUP bit to 1. (Enable oscillation startup control circuit)
5. Write a value other than 0x0096 to the MSCPROT.PROT[15:0] bits. (Set system protection)
 6. Write 1 to the CLGOSC.OSC1EN bit. (Start oscillation)
 7. OSC1CLK can be used if the CLGINTF.OSC1STAIF bit = 1 after an interrupt occurs.

The setting values of the CLGOSC1.INV1N[1:0], CLGOSC1.CGII[2:0], CLGOSC1.OSC1WT[1:0], and CLGOSC1.INV1B[1:0] bits should be determined after performing evaluation using the populated circuit board.

System clock switching

The CPU boots using IOSCLK as SYSCLK. After booting, the clock source of SYSCLK can be switched according to the processing speed required. The SYSCLK frequency can also be set by selecting the clock source division ratio, this makes it possible to run the CPU at the most suitable performance for the process to be executed. The CLGSCLK.CLKSRC[1:0] and CLGSCLK.CLKDIV[1:0] bits are used for this control. The CLGSCLK register bits are protected against writings by the system protect function, therefore, the system protection must be removed by writing 0x0096 to the MSCPROT.PROT[15:0] bits before the register setting can be altered. For the transition between the operating modes including the system clock switching, refer to “Operating Mode.”

Clock control in SLEEP mode

The CPU enters SLEEP mode when it executes the slp instruction. Whether the clock sources being operated are stopped or not at this point can be selected in each source individually. This allows the CPU to fast switch between SLEEP mode and RUN mode, and the peripheral circuits to continue operating without disabling the clock in SLEEP mode. The CLGOSC.IOSCSLPC, CLGOSC.OSC1SLPC, and CLGOSC.EXOSCSLPC bits are used for this control. Figure 2.3.4.3 shows a control example.

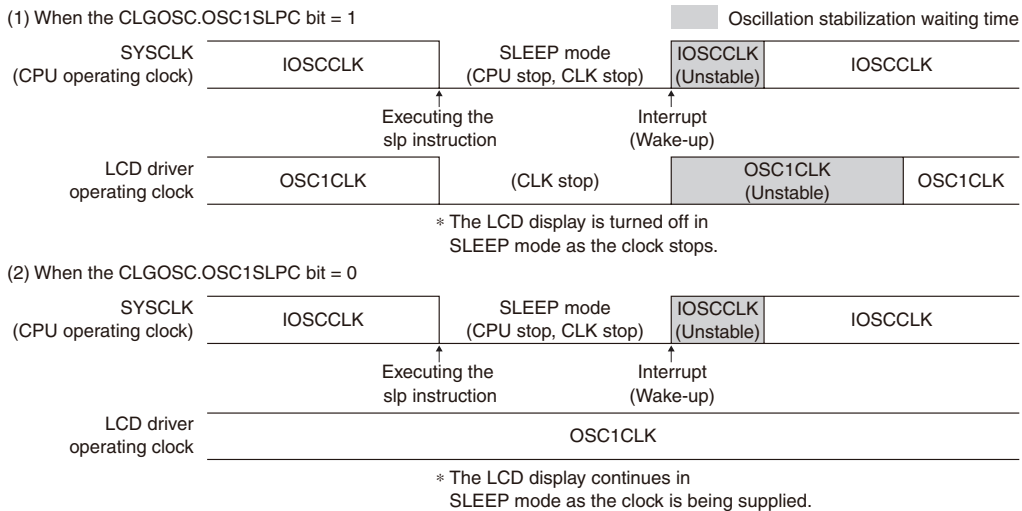


Figure 2.3.4.3 Clock Control Example in SLEEP Mode

The SYSCLK condition (clock source and division ratio) at wake-up from SLEEP mode to RUN mode can also be configured. This allows flexible clock control according to the wake-up process. Configure the clock using the CLGSCLK.WUPSRC[1:0] and CLGSCLK.WUPDIV[1:0] bits, and write 1 to the CLGSCLK.WUPMD bit to enable this function.

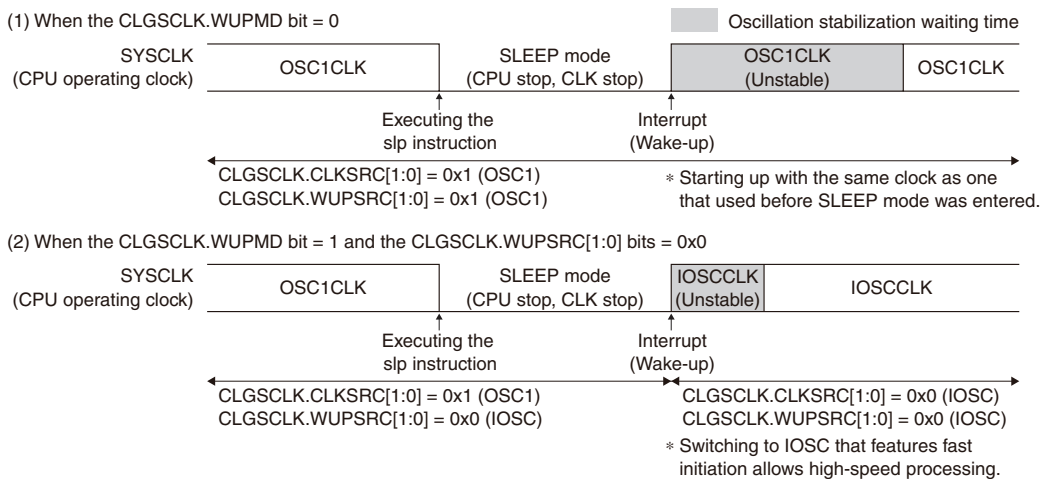


Figure 2.3.4.4 Clock Control Example at SLEEP Cancellation

Clock external output (FOUT)

The FOUT pin can output the clock generated by a clock source or its divided clock to outside the IC. This allows monitoring the oscillation frequency of the oscillator circuit or supplying an operating clock to external ICs. Follow the procedure shown below to start clock external output.

1. Assign the FOUT function to the port. (Refer to the “I/O Ports” chapter.)
2. Configure the following CLGFOUT register bits:
 - CLGFOUT.FOUTSRC[1:0] bits (Select clock source)
 - CLGFOUT.FOUTDIV[2:0] bits (Set clock division ratio)
 - Set the CLGFOUT.FOUTEN bit to 1. (Enable clock external output)

IOSC oscillation auto-trimming function

The auto-trimming function adjusts the IOSCCLK clock frequency by trimming the clock with reference to the high precision OSC1CLK clock generated by the OSC1 oscillator circuit. Follow the procedure shown below to enable the auto-trimming function.

1. After enabling the OSC1 oscillation, check if the stabilized clock is supplied (CLGINTF.OSC1STAIF bit = 1).
2. After enabling the IOSC oscillation, check if the stabilized clock is supplied (CLGINTF.IOSCSTAIF bit = 1).
3. Write 0x0096 to the MSCPROT.PROT[15:0] bits. (Remove system protection)
4. If the SYSCLK clock source is IOSC, set the CLGSCLK.CLKSRC[1:0] bits to a value other than 0x0 (IOSC).
5. Write 1 to the CLGINTF.IOSCTEDIF bit. (Clear interrupt flag)
6. Write 1 to the CLGINTF.IOSCTEDIE bit. (Enable interrupt)
7. Write 1 to the CLGIOSC.IOSCSTM bit. (Enable IOSC oscillation auto-trimming)
8. Write a value other than 0x0096 to the MSCPROT.PROT[15:0] bits. (Set system protection)
9. The trimmed IOSCCLK can be used if the CLGINTF.IOSCTEDIF bit = 1 after an interrupt occurs.

After the trimming operation has completed, the CLGIOSC.IOSCSTM bit automatically reverts to 0. Although the trimming time depends on the temperature, an average of several 10 ms is required. When IOSCCLK is being used as the system clock or a peripheral circuit clock, do not use the auto-trimming function.

OSC1 oscillation stop detection function

The oscillation stop detection function restarts the OSC1 oscillator circuit when it detects oscillation stop under adverse environments that may stop the oscillation. Follow the procedure shown below to enable the oscillation stop detection function.

1. After enabling the OSC1 oscillation, check if the stabilized clock is supplied (CLGINTF.OSC1STAIF bit = 1).
2. Write 1 to the CLGINTF.OSC1STPIF bit. (Clear interrupt flag)
3. Write 1 to the CLGINTF.OSC1STPIE bit. (Enable interrupt)
4. Write 0x0096 to the MSCPROT.PROT[15:0] bits. (Remove system protection)
5. Set the following CLGOSC1 register bits:
 - Set the CLGOSC1.OSDRB bit to 1. (Enable OSC1 restart function)
 - Set the CLGOSC1.OSDEN bit to 1. (Enable oscillation stop detection function)
6. Write a value other than 0x0096 to the MSCPROT.PROT[15:0] bits. (Set system protection)
7. The OSC1 oscillation stops if the CLGINTF.OSC1STPIF bit = 1 after an interrupt occurs. If the CLGOSC1.OSDRB bit = 1, the hardware restarts the OSC1 oscillator circuit.

Note: Enabling the oscillation stop detection function increase the oscillation stop detector current (I_{OSD1}).

2.4 Operating Mode

2.4.1 Initial Boot Sequence

Figure 2.4.1.1 shows the initial boot sequence after power is turned on.

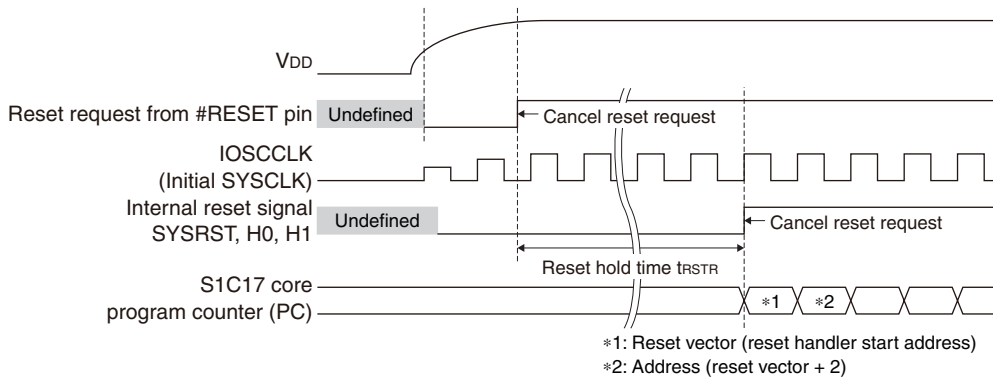


Figure 2.4.1.1 Initial Boot Sequence

Note: The reset cancellation time at power-on varies according to the power rise time and reset request cancellation time.

For the reset hold time t_{RSTR} , refer to “Reset hold circuit characteristics” in the “Electrical Characteristics” chapter.

2.4.2 Transition between Operating Modes

State transitions between operating modes shown in Figure 2.4.2.1 take place in this IC.

RUN mode

RUN mode refers to the state in which the CPU is executing the program. A transition to this mode takes place when the system reset request from the system reset controller is canceled. RUN mode is classified into “IOSC RUN,” “OSC1 RUN,” and “EXOSC RUN” by the SYSCLK clock source.

HALT mode

When the CPU executes the halt instruction, it suspends program execution and stops operating. This state is HALT mode. In this mode, the clock sources and peripheral circuits keep operating. This mode can be set while no software processing is required and it reduces power consumption as compared with RUN mode. HALT mode is classified into “IOSC HALT,” “OSC1 HALT,” and “EXOSC HALT” by the SYSCLK clock source.

SLEEP mode

When the CPU executes the slp instruction, it suspends program execution and stops operating. This state is SLEEP mode. In this mode, the clock sources stop operating as well. However, the clock source in which the CLGOSC.IOSCSLPC/OSC1SLPC/EXOSCSLPC bit is set to 0 keeps operating, so the peripheral circuits with the clock being supplied can also operate. By setting this mode when no software processing and peripheral circuit operations are required, power consumption can be less than HALT mode.

Note: The current consumption when a clock source is active in SLEEP mode by setting the CLGOSC.IOSCSLPC/OSC1SLPC/EXOSCSLPC bit to 0 is equivalent to the value in HALT mode with the same clock source condition (refer to “Current Consumption, Current consumption in HALT mode I_{HALT1} and I_{HALT2} ” in the “Electrical Characteristics” chapter).

DEBUG mode

When a debug interrupt occurs, the CPU enters DEBUG mode. DEBUG mode is canceled when the retid instruction is executed. For more information on DEBUG mode, refer to “Debugger” in the “CPU and Debugger” chapter.

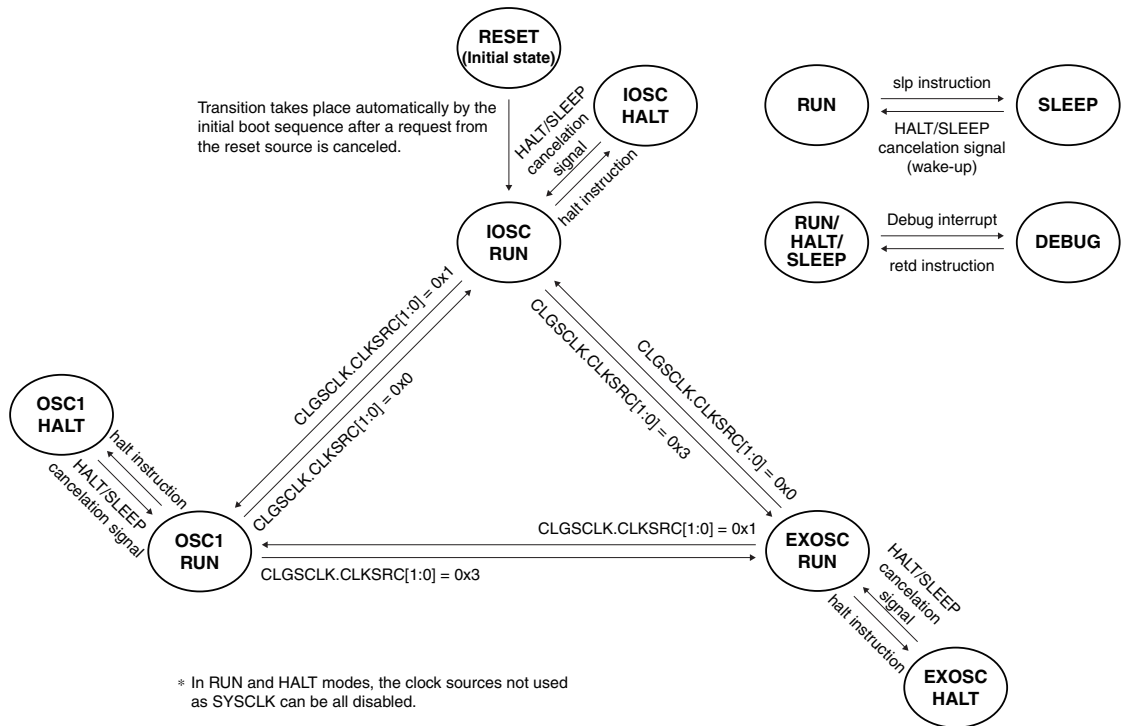


Figure 2.4.2.1 Operating Mode-to-Mode State Transition Diagram

Canceling HALT or SLEEP mode

The conditions listed below generate the HALT/SLEEP cancelation signal to cancel HALT or SLEEP mode and put the CPU into RUN mode. This transition is executed even if the CPU does not accept the interrupt request.

- Interrupt request from a peripheral circuit
- NMI
- Debug interrupt
- Reset request

2.5 Interrupts

CLG has a function to generate the interrupts shown in Table 2.5.1.

Table 2.5.1 CLG Interrupt Function

Interrupt	Interrupt flag	Set condition	Clear condition
IOSC oscillation stabilization waiting completion	CLGINTF.IOSCSTAIF	When the IOSC oscillation stabilization waiting operation has completed after the oscillation starts	Writing 1
OSC1 oscillation stabilization waiting completion	CLGINTF.OSC1STAIF	When the OSC1 oscillation stabilization waiting operation has completed after the oscillation starts	Writing 1
OSC1 oscillation stop	CLGINTF.OSC1STPIF	When OSC1CLK is stopped, or when the CLGOSC.OSC1EN or CLGOSC1.OSDEN bit setting is altered from 1 to 0.	Writing 1
IOSC oscillation auto-trimming completion	CLGINTF.IOSCTEDIF	When the IOSC oscillation auto-trimming operation has completed	Writing 1

CLG provides interrupt enable bits corresponding to each interrupt flag. An interrupt request is sent to the interrupt controller only when the interrupt flag, of which interrupt has been enabled by the interrupt enable bit, is set. For more information on interrupt control, refer to the “Interrupt Controller” chapter.

2.6 Control Registers

PWG V_{D1} Regulator Control Register

Register name	Bit	Bit name	Initial	Reset	R/W	Remarks
PWGVD1CTL	15–8	–	0x00	–	R	–
	7–2	–	0x00	–	R	
	1–0	REGMODE[1:0]	0x0	H0	R/WP	

Bits 15–2 Reserved

Bits 1–0 REGMODE[1:0]

These bits control the internal regulator operating mode.

Table 2.6.1 Internal Regulator Operating Mode

PWGVD1CTL.REGMODE[1:0] bits	Operating mode
0x3	Economy mode
0x2	Normal mode
0x1	Reserved
0x0	Automatic mode

CLG System Clock Control Register

Register name	Bit	Bit name	Initial	Reset	R/W	Remarks
CLGSCLK	15	WUPMD	0	H0	R/WP	–
	14	–	0	–	R	
	13–12	WUPDIV[1:0]	0x0	H0	R/WP	
	11–10	–	0x0	–	R	
	9–8	WUPSRC[1:0]	0x0	H0	R/WP	
	7–6	–	0x0	–	R	
	5–4	CLKDIV[1:0]	0x0	H0	R/WP	
	3–2	–	0x0	–	R	
1–0	CLKSRC[1:0]	0x0	H0	R/WP		

Bit 15 WUPMD

This bit enables the SYSCLK switching function at wake-up.

1 (R/WP): Enable

0 (R/WP): Disable

When the CLGSCLK.WUPMD bit = 1, setting values of the CLGSCLK.WUPSRC[1:0] bits and the CLGSCLK.WUPDIV[1:0] bits are loaded to the CLGSCLK.CLKSRC[1:0] bits and the CLGSCLK.CLKDIV[1:0] bits, respectively, at wake-up from SLEEP mode to switch SYSCLK. When the CLGSCLK.WUPMD bit = 0, the CLGSCLK.CLKSRC[1:0] and CLGSCLK.CLKDIV[1:0] bits are not altered at wake-up.

- Notes:**
- When the CLGSCLK.WUPMD bit = 1, the clock source enable bits (CLGOSC.EXOSCEN, CLGOSC.OSC1EN, CLGOSC.OSC3BEN) except for the SYSCLK source selected by the CLGSCLK.CLKSRC[1:0] bits will be cleared to 0 to stop the clocks after a system wake-up. However, the enable bit of the clock source being operated during SLEEP mode by setting the CLGOSC.***SLPC bit retains 1 after a wake-up.
 - When the CLGSCLK.WUPMD bit = 1, be sure to avoid setting both the CLGSCLK.WUPSRC[1:0] bits and the CLGSCLK.WUPDIV[1:0] bits to the same values as the CLGSCLK.CLKSRC[1:0] bits and the CLGSCLK.CLKDIV[1:0] bits, respectively. If the same clock source and division ratio as those that are configured before placing the IC into SLEEP mode are used at wake-up, set the CLGSCLK.WUPMD bit to 0.

Bit 14 Reserved

Bits 13–12 WUPDIV[1:0]

These bits select the SYSCLK division ratio for resetting the CLGCLK.CLKDIV[1:0] bits at wake-up. This setting is ineffective when the CLGCLK.WUPMD bit = 0.

Bits 11–10 Reserved

Bits 9–8 WUPSRC[1:0]

These bits select the SYSCLK clock source for resetting the CLGCLK.CLKSRC[1:0] bits at wake-up. However, this setting is ineffective when the CLGCLK.WUPMD bit = 0.

Note: Do not select a clock source that has stopped. When selecting it, set the clock source enable bit to 1 before executing the slp instruction.

Table 2.6.2 SYSCLK Clock Source and Division Ratio Settings at Wake-up

CLGCLK. WUPDIV[1:0] bits	CLGCLK.WUPSRC[1:0] bits			
	0x0	0x1	0x2	0x3
	IOSCCLK	OSC1CLK	–	EXOSCCLK
0x3	1/8	Reserved	Reserved	Reserved
0x2	1/4	Reserved	Reserved	Reserved
0x1	1/2	1/2	Reserved	Reserved
0x0	1/1	1/1	Reserved	1/1

Bits 7–6 Reserved

Bits 5–4 CLKDIV[1:0]

These bits set the division ratio of the clock source to determine the SYSCLK frequency.

Bits 3–2 Reserved

Bits 1–0 CLKSRC[1:0]

These bits select the SYSCLK clock source.

When a currently stopped clock source is selected, it will automatically start oscillating or clock input.

Table 2.6.3 SYSCLK Clock Source and Division Ratio Settings

CLGCLK. CLKDIV[1:0] bits	CLGCLK.CLKSRC[1:0] bits			
	0x0	0x1	0x2	0x3
	IOSCCLK	OSC1CLK	–	EXOSCCLK
0x3	1/8	Reserved	Reserved	Reserved
0x2	1/4	Reserved	Reserved	Reserved
0x1	1/2	1/2	Reserved	Reserved
0x0	1/1	1/1	Reserved	1/1

CLG Oscillation Control Register

Register name	Bit	Bit name	Initial	Reset	R/W	Remarks
CLGOSC	15–12	–	0x0	–	R	–
	11	EXOSCSLPC	1	H0	R/W	
	10	–	1	–	R	
	9	OSC1SLPC	1	H0	R/W	
	8	IOSCSLPC	1	H0	R/W	
	7–4	–	0x0	–	R	
	3	EXOSCEN	0	H0	R/W	
	2	–	0	–	R	
	1	OSC1EN	0	H0	R/W	
	0	IOSCEN	1	H0	R/W	

Bits 15–12 Reserved

2 POWER SUPPLY, RESET, AND CLOCKS

Bit 11 **EXOSCSLPC**

Bit 9 **OSC1SLPC**

Bit 8 **IOSCSLPC**

These bits control the clock source operations in SLEEP mode.

1 (R/W): Stop clock source in SLEEP mode

0 (R/W): Continue operation state before SLEEP

Each bit corresponds to the clock source as follows:

CLGOSC.EXOSCSLPC bit: EXOSC clock input

CLGOSC.OSC1SLPC bit: OSC1 oscillator circuit

CLGOSC.IOSCSLPC bit: IOSC oscillator circuit

Bit 10 **Reserved**

Bits 7–4 **Reserved**

Bit 3 **EXOSCEN**

Bit 1 **OSC1EN**

Bit 0 **IOSCEN**

These bits control the clock source operation.

1(R/W): Start oscillating or clock input

0(R/W): Stop oscillating or clock input

Each bit corresponds to the clock source as follows:

CLGOSC.EXOSCEN bit: EXOSC clock input

CLGOSC.OSC1EN bit: OSC1 oscillator circuit

CLGOSC.IOSCEN bit: IOSC oscillator circuit

Bit 2 **Reserved**

CLG IOSC Control Register

Register name	Bit	Bit name	Initial	Reset	R/W	Remarks
CLGIOSC	15–8	–	0x00	–	R	–
	7–5	–	0x0	–	R	
	4	IOSCSTM	0	H0	R/WP	
	3–0	–	0x0	–	R	

Bits 15–5 **Reserved**

Bit 4 **IOSCSTM**

This bit controls the IOSCCLK auto-trimming function.

1 (WP): Start trimming

0 (WP): Stop trimming

1 (R): Trimming is executing.

0 (R): Trimming has finished. (Trimming operation inactivated.)

This bit is automatically cleared to 0 when trimming has finished.

Notes: • Do not use IOSCCLK as the system clock or peripheral circuit clocks while the CLGIOSC.IOSCSTM bit = 1.

• The auto-trimming function does not work if the OSC1 oscillator circuit is stopped. Make sure the CLGINTF.OSC1STAIF bit is set to 1 before starting the trimming operation.

Bits 3–0 **Reserved**

CLG OSC1 Control Register

Register name	Bit	Bit name	Initial	Reset	R/W	Remarks
CLGOSC1	15	–	0	–	R	–
	14	OSDRB	0	H0	R/WP	
	13	OSDEN	0	H0	R/WP	
	12	OSC1BUP	0	H0	R/WP	
	11	–	0	–	R	
	10–8	CGI1[2:0]	0x0	H0	R/WP	
	7–6	INV1B[1:0]	0x3	H0	R/WP	
	5–4	INV1N[1:0]	0x1	H0	R/WP	
	3–2	–	0x0	–	R	
1–0	OSC1WT[1:0]	0x2	H0	R/WP		

Bit 15 **Reserved**

Bit 14 **OSDRB**

This bit enables the OSC1 oscillator circuit restart function by the oscillation stop detector when OSC1 oscillation stop is detected.

1 (R/WP): Enable (Restart the OSC1 oscillator circuit when oscillation stop is detected.)

0 (R/WP): Disable

Bit 13 **OSDEN**

This bit controls the oscillation stop detector in the OSC1 oscillator circuit.

1 (R/WP): OSC1 oscillation stop detector on

0 (R/WP): OSC1 oscillation stop detector off

Note: Do not write 1 to the CLGOSC1.OSDEN bit before stabilized OSC1CLK is supplied. Furthermore, the CLGOSC1.OSDEN bit should be set to 0 when the CLGOSC.OSC1EN bit is set to 0.

Bit 12 **OSC1BUP**

This bit enables the oscillation startup control circuit in the OSC1 oscillator circuit.

1 (R/WP): Enable (Activate booster operation at startup.)

0 (R/WP): Disable

Bit 11 **Reserved**

Bits 10–8 **CGI1[2:0]**

These bits set the internal gate capacitance in the OSC1 oscillator circuit.

Table 2.6.4 OSC1 Internal Gate Capacitance Setting

CLGOSC1.CGI1[2:0] bits	Capacitance
0x7	Max.
0x6	↑
0x5	
0x4	
0x3	
0x2	
0x1	↓
0x0	Min.

For more information, refer to “OSC1 oscillator circuit characteristics, Internal gate capacitance CGI1” in the “Electrical Characteristics” chapter.

Bits 7–6 **INV1B[1:0]**

These bits set the oscillation inverter gain that will be applied at boost startup of the OSC1 oscillator circuit.

2 POWER SUPPLY, RESET, AND CLOCKS

Table 2.6.5 Setting Oscillation Inverter Gain at OSC1 Boost Startup

CLGOSC1.INV1B[1:0] bits	Inverter gain
0x3	Max.
0x2	↑
0x1	↓
0x0	Min.

Note: The CLGOSC1.INV1B[1:0] bits must be set to a value equal to or larger than the CLGOSC1.INV1N[1:0] bits.

Bits 5–4 INV1N[1:0]

These bits set the oscillation inverter gain applied at normal operation of the OSC1 oscillator circuit.

Table 2.6.6 Setting Oscillation Inverter Gain at OSC1 Normal Operation

CLGOSC1.INV1N[1:0] bits	Inverter gain
0x3	Max.
0x2	↑
0x1	↓
0x0	Min.

Bits 3–2 Reserved

Bits 1–0 OSC1WT[1:0]

These bits set the oscillation stabilization waiting time for the OSC1 oscillator circuit.

Table 2.6.7 OSC1 Oscillation Stabilization Waiting Time Setting

CLGOSC1.OSC1WT[1:0] bits	Oscillation stabilization waiting time
0x3	65,536 clocks
0x2	16,384 clocks
0x1	4,096 clocks
0x0	Reserved

CLG Interrupt Flag Register

Register name	Bit	Bit name	Initial	Reset	R/W	Remarks
CLGINTF	15–8	–	0x00	–	R	–
	7–6	–	0x0	–	R	–
	5	OSC1STPIF	0	H0	R/W	Cleared by writing 1.
	4	IOSCTEDIF	0	H0	R/W	–
	3–2	–	0x0	–	R	–
	1	OSC1STAIF	0	H0	R/W	Cleared by writing 1.
	0	IOSCSTAIF	0	H0	R/W	–

Bits 15–6 Reserved

Bit 5 OSC1STPIF

Bit 4 IOSCTEDIF

These bits indicate the OSC1 oscillation stop and IOSC oscillation auto-trimming completion interrupt cause occurrence statuses.

- 1 (R): Cause of interrupt occurred
- 0 (R): No cause of interrupt occurred
- 1 (W): Clear flag
- 0 (W): Ineffective

Each bit corresponds to the interrupt as follows:

CLGINTF.OSC1STPIF bit: OSC1 oscillation stop interrupt

CLGINTF.IOSCTEDIF bit: IOSC oscillation auto-trimming completion interrupt

Bits 3–2 Reserved

Bit 1 **OSC1STAIF****Bit 0** **IOSCSTAIF**

These bits indicate the oscillation stabilization waiting completion interrupt cause occurrence status in each clock source.

- 1 (R): Cause of interrupt occurred
 0 (R): No cause of interrupt occurred
 1 (W): Clear flag
 0 (W): Ineffective

Each bit corresponds to the clock source as follows:

CLGINTE.OSC1STAIF bit: OSC1 oscillator circuit

CLGINTE.IOSCSTAIF bit: IOSC oscillator circuit

Note: The CLGINTE.IOSCSTAIF bit is 0 after system reset is canceled, but IOSCCCLK has already been stabilized.

CLG Interrupt Enable Register

Register name	Bit	Bit name	Initial	Reset	R/W	Remarks
CLGINTE	15–8	–	0x00	–	R	–
	7–6	–	0x0	–	R	
	5	OSC1STPIE	0	H0	R/W	
	4	IOSCTEDIE	0	H0	R/W	
	3–2	–	0x0	–	R	
	1	OSC1STAIE	0	H0	R/W	
	0	IOSCSTAIE	0	H0	R/W	

Bits 15–6 **Reserved**

Bit 5 **OSC1STPIE****Bit 4** **IOSCTEDIE**

These bits enable the OSC1 oscillation stop and IOSC oscillation auto-trimming completion interrupts.

- 1 (R/W): Enable interrupts
 0 (R/W): Disable interrupts

Each bit corresponds to the interrupt as follows:

CLGINTE.OSC1STPIE bit: OSC1 oscillation stop interrupt

CLGINTE.IOSCTEDIE bit: IOSC oscillation auto-trimming completion interrupt

Bits 3–2 **Reserved**

Bit 1 **OSC1STAIE****Bit 0** **IOSCSTAIE**

These bits enable the oscillation stabilization waiting completion interrupt of each clock source.

- 1 (R/W): Enable interrupts
 0 (R/W): Disable interrupts

Each bit corresponds to the clock source as follows:

CLGINTE.OSC1STAIE bit: OSC1 oscillator circuit

CLGINTE.IOSCSTAIE bit: IOSC oscillator circuit

CLG FOUT Control Register

Register name	Bit	Bit name	Initial	Reset	R/W	Remarks
CLGFOUT	15–8	–	0x00	–	R	–
	7	–	0	–	R	
	6–4	FOUTDIV[2:0]	0x0	H0	R/W	
	3–2	FOUTSRC[1:0]	0x0	H0	R/W	
	1	–	0	–	R	
	0	FOUTEN	0	H0	R/W	

2 POWER SUPPLY, RESET, AND CLOCKS

Bits 15–7 Reserved

Bits 6–4 **FOUTDIV[2:0]**

These bits set the FOUT clock division ratio.

Bits 3–2 **FOUTSRC[1:0]**

These bits select the FOUT clock source.

Table 2.6.8 FOUT Clock Source and Division Ratio Settings

CLGFOUT. FOUTDIV[2:0] bits	CLGFOUT.FOUTSRC[1:0] bits			
	0x0	0x1	0x2	0x3
	IOSCCLK	OSC1CLK	-	SYSCLK
0x7	1/128	1/32,768	Reserved	Reserved
0x6	1/64	1/4,096	Reserved	Reserved
0x5	1/32	1/1,024	Reserved	Reserved
0x4	1/16	1/256	Reserved	Reserved
0x3	1/8	1/8	Reserved	Reserved
0x2	1/4	1/4	Reserved	Reserved
0x1	1/2	1/2	Reserved	Reserved
0x0	1/1	1/1	Reserved	1/1

Note: When the CLGFOUT.FOUTSRC[1:0] bits are set to 0x3, the FOUT output will be stopped in SLEEP/HALT mode as SYSCLK is stopped.

Bit 1 Reserved

Bit 0 **FOUTEN**

This bit controls the FOUT clock external output.

1 (R/W): Enable external output

0 (R/W): Disable external output

Note: Since the FOUT signal generated is out of sync with writings to the CLGFOUT.FOUTEN bit, a glitch may occur when the FOUT output is enabled or disabled.

3 CPU and Debugger

3.1 Overview

This IC incorporates the Seiko Epson original 16-bit CPU core (S1C17) with a debugger. The main features of the CPU core are listed below.

- Seiko Epson original 16-bit RISC processor
 - 24-bit general-purpose registers: 8
 - 24-bit special registers: 2
 - 8-bit special register: 1
 - Up to 16M bytes of memory space (24-bit address)
 - Harvard architecture using separated instruction bus and data bus
- Compact and fast instruction set optimized for development in C language
 - Code length: 16-bit fixed length
 - Number of instructions: 111 basic instructions (184 including variations)
 - Execution cycle: Main instructions are executed in one cycle.
 - Extended immediate instructions: Immediate data can be extended up to 24 bits.
- Supports reset, NMI, address misaligned, debug, and external interrupts.
 - Reads a vector from the vector table and branches to the interrupt handler routine directly.
 - Can generate software interrupts with a vector number specified (all vector numbers specifiable).
- HALT mode (halt instruction) and SLEEP mode (slp instruction) are provided as the standby function.
- Incorporates a debugger with three-wire communication interface to assist in software development.

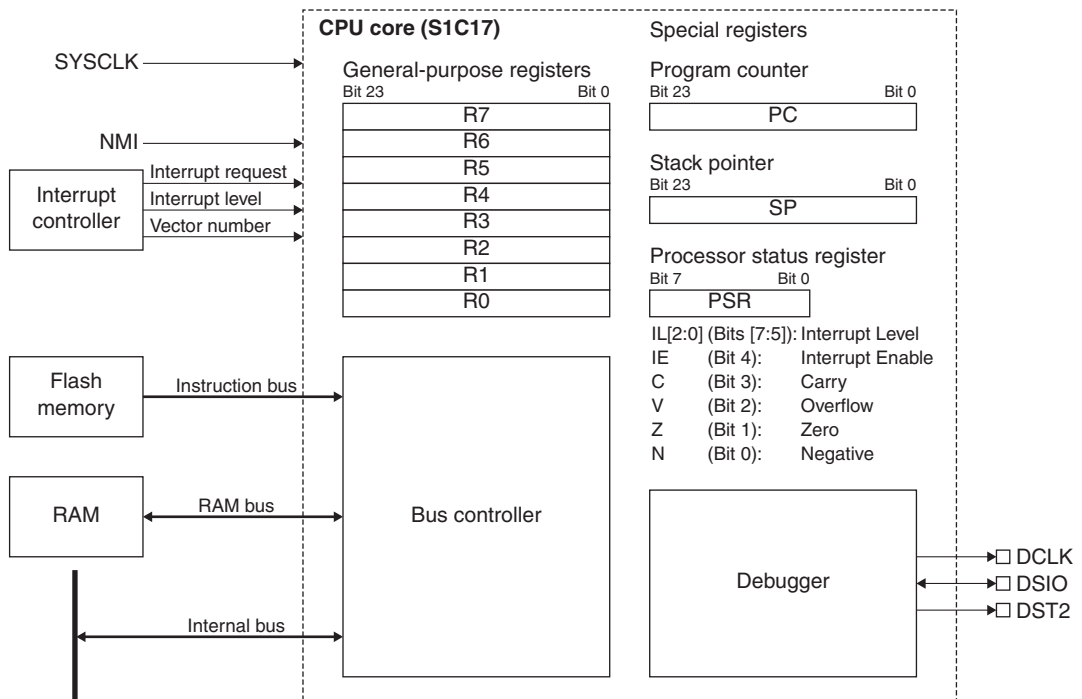


Figure 3.1.1 S1C17 Configuration

3.2 CPU Core

3.2.1 CPU Registers

The CPU includes eight general-purpose registers and three special registers (Table 3.2.1.1).

Table 3.2.1.1 Initialization of CPU Registers

CPU register name			Initial	Reset
General-purpose registers		R0 to R7	0x000000	H0
Special registers	Program counter	PC	The reset vector is automatically loaded.	H0
	Stack pointer	SP	0x000000	H0
	Processor status register	PSR	0x00	H0

For details on the CPU registers, refer to the “S1C17 Family S1C17 Core Manual.” For more information on the reset vector, refer to the “Interrupt Controller” chapter.

3.2.2 Instruction Set

The CPU instruction codes are all fixed to 16 bits in length which, combined with pipelined processing, allows the most important instructions to be executed in one cycle. For details on the instructions, refer to the “S1C17 Family S1C17 Core Manual.”

3.2.3 Reading PSR

The PSR contents can be read through the MSCPSR register. Note, however, that data cannot be written to PSR through the MSCPSR register.

3.2.4 I/O Area Reserved for the S1C17 Core

The address range from 0xffffc00 to 0xfffffff is the I/O area reserved for the S1C17 core. Do not access this area except when it is required.

3.3 Debugger

3.3.1 Debugging Functions

The debugger provides the following functions:

- **Instruction break:** A debug interrupt is generated immediately before the set instruction address is executed. An instruction break can be set at up to four addresses.
- **Single step:** A debug interrupt is generated after each instruction has been executed.
- **Forcible break:** A debug interrupt is generated using an external input signal.
- **Software break:** A debug interrupt is generated when the brk instruction is executed.

When a debug interrupt occurs, the CPU enters DEBUG mode. The peripheral circuit operations in DEBUG mode depend on the setting of the DBRUN bit provided in the clock control register of each peripheral circuit. For more information on the DBRUN bit, refer to “Clock Supply in DEBUG Mode” in each peripheral circuit chapter. DEBUG mode continues until a cancel command is sent from the personal computer or the CPU executes the retid instruction. Neither hardware interrupts nor NMI are accepted during DEBUG mode.

3.3.2 Resource Requirements and Debugging Tools

Debugging work area

Debugging requires a 64-byte debugging work area. For more information on the work area location, refer to the “Memory and Bus” chapter. The start address of this debugging work area can be read from the DBRAM register.

Debugging tools

To perform debugging, connect ICDmini (S5U1C17001H) to the input/output pin for the debugger embedded in this IC and control it from the personal computer. This requires the tools shown below.

- S1C17 Family In-Circuit Debugger ICDmini (S5U1C17001H)
- S1C17 Family C Compiler Package (e.g., S5U1C17001C)

3.3.3 List of debugger input/output pins

Table 3.3.3.1 lists the debug pins.

Table 3.3.3.1 List of Debug Pins

Pin name	I/O	Initial state	Function
DCLK	O	0	On-chip debugger clock output pin Outputs a clock to the ICDmini (S5U1C17001H).
DSIO	I/O	1	On-chip debugger data input/output pin Used to input/output debugging data and input the break signal.
DST2	O	0	On-chip debugger status output pin Outputs the processor status during debugging.

The debugger input/output pins are shared with general-purpose I/O ports and are initially set as the debug pins. If the debugging function is not used, these pins can be switched to general-purpose I/O port pins. For details, refer to the “I/O Ports” chapter.

- Notes:**
- Do not drive the DCLK pin with a high level from outside (e.g. pulling up with a resistor). Also, do not connect (short-circuit) between the DCLK pin and another GPIO port. In the both cases, the IC may not start up normally due to unstable pin input/output status at power on.
 - Do not drive the DSIO pin with a low level from outside, as it generates a debug interrupt that puts the CPU into DEBUG mode.

3.3.4 External Connection

Figure 3.3.4.1 shows a connection example between this IC and ICDmini when performing debugging.

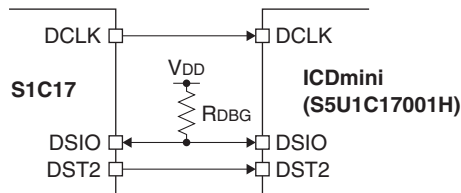


Figure 3.3.4.1 External Connection

For the recommended pull-up resistor value, refer to “Recommended Operating Conditions, DSIO pull-up resistor RDBG” in the “Electrical Characteristics” chapter. RDBG is not required when using the DSIO pin as a general-purpose I/O port pin.

3.4 Control Register

MISC PSR Register

Register name	Bit	Bit name	Initial	Reset	R/W	Remarks
MSCPSR	15–8	–	0x00	–	R	–
	7–5	PSRIL[2:0]	0x0	H0	R	
	4	PSRIE	0	H0	R	
	3	PSRC	0	H0	R	
	2	PSRV	0	H0	R	
	1	PSRZ	0	H0	R	
	0	PSRN	0	H0	R	

Bits 15–8 Reserved

Bits 7–5 PSRIL[2:0]

The value (0 to 7) of the PSR IL[2:0] (interrupt level) bits can be read out with these bits.

Bit 4 PSRIE

The value (0 or 1) of the PSR IE (interrupt enable) bit can be read out with this bit.

Bit 3 PSRC

The value (0 or 1) of the PSR C (carry) flag can be read out with this bit.

Bit 2 PSRV

The value (0 or 1) of the PSR V (overflow) flag can be read out with this bit.

Bit 1 PSRZ

The value (0 or 1) of the PSR Z (zero) flag can be read out with this bit.

Bit 0 PSRN

The value (0 or 1) of the PSR N (negative) flag can be read out with this bit.

Debug RAM Base Register

Register name	Bit	Bit name	Initial	Reset	R/W	Remarks
DBRAM	31–24	–	0x00	–	R	–
	23–0	DBRAM[23:0]	*1	H0	R	

*1 Debugging work area start address

Bits 31–24 Reserved

Bits 23–0 DBRAM[23:0]

The start address of the debugging work area (64 bytes) can be read out with these bits.

4 Memory and Bus

4.1 Overview

This IC supports up to 16M bytes of accessible memory space for both instructions and data.

The features are listed below.

- Embedded Flash memory that supports on-board programming
- Almost all memory and control registers are accessible in 16-bit width and one cycle.
- Write-protect function to protect system control registers

Figure 4.1.1 shows the memory map.

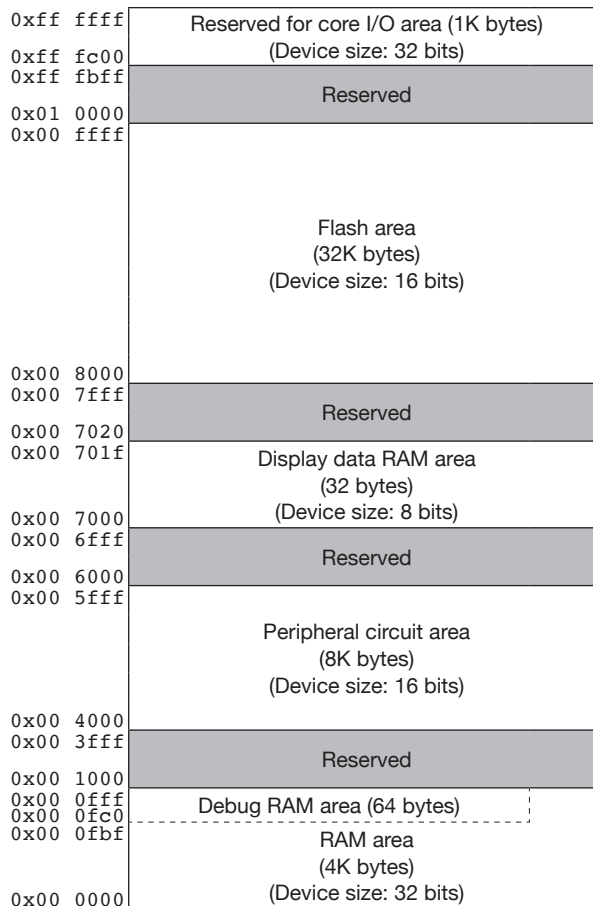


Figure 4.1.1 Memory Map

4.2 Bus Access Cycle

The CPU uses the system clock for bus access operations. First, “Bus access cycle,” “Device size,” and “Access size” are defined as follows:

- Bus access cycle: One system clock period = 1 cycle
- Device size: Bit width of the memory and peripheral circuits that can be accessed in one cycle
- Access size: Access size designated by the CPU instructions (e.g., `ld %rd, [%rb]` → 16-bit data transfer)

Table 4.2.1 lists numbers of bus access cycles by different device size and access size. The peripheral circuits can be accessed with an 8-bit, 16-bit, or 32-bit instruction.

Table 4.2.1 Number of Bus Access Cycles

Device size	Access size	Number of bus access cycles
8 bits	8 bits	1
	16 bits	2
	32 bits	4
16 bits	8 bits	1
	16 bits	1
	32 bits	2
32 bits	8 bits	1
	16 bits	1
	32 bits	1

Note: When data is transferred to a memory in 32-bit access, the eight high-order bits are written to the memory as 0x00 since the bit width of the S1C17 core general-purpose registers is 24 bits. Conversely when sending from a memory to a register, the eight high-order bits are ignored. The CPU performs 32-bit access for stack operations in an interrupt handling. In this case, the CPU read/write 32-bit data that consists of the PSR value as the eight high-order bits and the return address as the 24 low-order bits. For more information, refer to the “S1C17 Family S1C17 Core Manual.”

The CPU adopts Harvard architecture that allows simultaneous processing of an instruction fetch and a data access. However, they are not performed simultaneously under one of the conditions listed below. This prolongs the instruction fetch cycle for the number of data area bus cycles.

- When the CPU executes an instruction stored in the Flash area and accesses data in the Flash area
- When the CPU executes an instruction stored in the Flash area and accesses data in the display data RAM area
- When the CPU executes an instruction stored in the internal RAM/display data RAM area and accesses data in the internal RAM/display data RAM area

4.3 Flash Memory

The Flash memory is used to store application programs and data. Address 0x8000 in the Flash area is defined as the vector table base address by default, therefore a vector table must be located beginning from this address. For more information on the vector table, refer to “Vector Table” in the “Interrupt Controller” chapter.

4.3.1 Flash Memory Pin

Table 4.3.1.1 shows the Flash memory pin.

Table 4.3.1.1 Flash Memory Pin

Pin name	I/O	Initial status	Function
V _{PP}	P	–	Flash programming power supply

For the V_{PP} voltage, refer to “Recommended Operating Conditions, Flash programming voltage V_{PP}” in the “Electrical Characteristics” chapter.

Note: Always leave the V_{PP} pin open except when programming the Flash memory.

4.3.2 Flash Bus Access Cycle Setting

There is a limit of frequency to access the Flash memory with no wait cycle, therefore, the number of bus access cycles for reading must be changed according to the system clock frequency. The number of bus access cycles for reading can be configured using the FLASHCWAIT.RDWAIT[1:0] bits. Select a setting for higher frequency than the system clock.

4.3.3 Flash Programming

The Flash memory supports on-board programming, so it can be programmed with the ROM data by using the debugger through an ICDmini. Figure 4.3.3.1 shows a connection diagram for on-board programming.

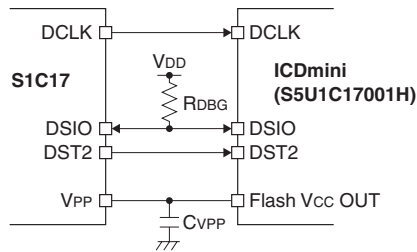


Figure 4.3.3.1 External Connection

The VPP pin must be left open except when programming the Flash memory. However, it is not necessary to disconnect the wire when using ICDmini to supply the VPP power source, as ICDmini controls the power supply so that it will be supplied during Flash programming only. When supplying the VPP power source, be sure to connect CVPP for stabilizing the VPP voltage.

For detailed information on ROM data programming method, refer to the “(S1C17 Family C Compiler Package) S5U1C17001C Manual.” The IC can also be shipped after being programmed in the factory with the ROM data developed. Should you desire to ship the IC with ROM data programmed from the factory, please contact our customer support.

4.3.4 Flash Security Function

This IC provides a security function to protect the internal Flash memory from unauthorized reading and tampering by using the debugger through ICDmini. Figure 4.3.4.1 shows a Flash security function setting flow.

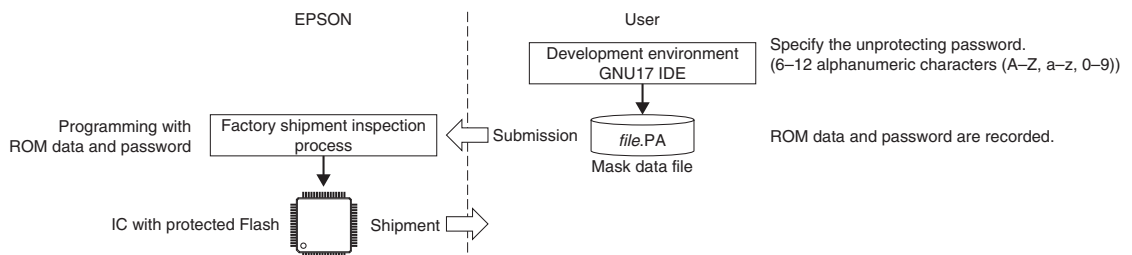


Figure 4.3.4.1 Shipment of IC with ROM Data Programmed and Flash Security Function Setting Flow

The following shows the status of the IC with protected Flash:

- The Flash memory data is undefined if it is read from the debugger.
- An error occurs if an attempt is made to program the Flash memory through ICDmini.

However, the Flash security function can be disabled by entering the unprotecting password predefined to GNU17 IDE (the security function will take effect again after a reset). For setting the password, refer to the “(S1C17 Family C Compiler Package) S5U1C17001C Manual.”

Note: Disable the Flash security function before debugging an IC with protected Flash via ICDmini. The debugging functions may not run normally if the Flash security function is enabled.

4.4 RAM

The RAM can be used to execute the instruction codes copied from another memory as well as storing variables or other data. This allows higher speed processing and lower power consumption than Flash memory.

Note: The 64 bytes at the end of the RAM is reserved as the debug RAM area. When using the debug functions under application development, do not access this area from the application program. This area can be used for applications of mass-produced devices that do not need debugging.

The RAM size used by the application can be configured to equal or less than the implemented size using the MSCIRAMSZ.IRAMSZ[2:0] bits. For example, this function can be used to prevent creating programs that seek to access areas outside the RAM area of the target model when developing an application for a model in which the RAM size is smaller than this IC. After the limitation is applied, accessing an address outside the RAM area results in the same operation (undefined value is read out) as when a reserved area is accessed.

4.5 Display Data RAM

The embedded display data RAM is used to store display data for the LCD driver. Areas unused for display data in the display data RAM can be used as a general-purpose RAM. For specific information on the display data RAM, refer to “Display Data RAM” in the “LCD Driver” chapter.

4.6 Peripheral Circuit Control Registers

The control registers for the peripheral circuits are located in the 8K-byte area beginning with address 0x4000. Table 4.6.1 shows the control register map. For details of each control register, refer to “List of Peripheral Circuit Registers” in the appendix or “Control Registers” in each peripheral circuit chapter.

Table 4.6.1 Peripheral Circuit Control Register Map

Peripheral circuit	Address	Register name	
MISC registers (MISC)	0x4000	MSCPROT	MISC System Protect Register
	0x4002	MSCIRAMSZ	MISC IRAM Size Register
	0x4004	MSCTTBRL	MISC Vector Table Address Low Register
	0x4006	MSCTTBRH	MISC Vector Table Address High Register
	0x4008	MSCPSR	MISC PSR Register
Power generator (PWG)	0x4020	PWGVDD1CTL	PWG V _{D1} Regulator Control Register
Clock generator (CLG)	0x4040	CLGSCLK	CLG System Clock Control Register
	0x4042	CLGOSC	CLG Oscillation Control Register
	0x4044	CLGIOSC	CLG IOSC Control Register
	0x4046	CLGOSC1	CLG OSC1 Control Register
	0x404a	CLGINTF	CLG Interrupt Flag Register
	0x404c	CLGINTE	CLG Interrupt Enable Register
	0x404e	CLGFOUT	CLG FOUT Control Register
Interrupt controller (ITC)	0x4080	ITCLV0	ITC Interrupt Level Setup Register 0
	0x4082	ITCLV1	ITC Interrupt Level Setup Register 1
	0x4084	ITCLV2	ITC Interrupt Level Setup Register 2
	0x4086	ITCLV3	ITC Interrupt Level Setup Register 3
	0x4088	ITCLV4	ITC Interrupt Level Setup Register 4
	0x408a	ITCLV5	ITC Interrupt Level Setup Register 5
	0x408c	ITCLV6	ITC Interrupt Level Setup Register 6
	0x408e	ITCLV7	ITC Interrupt Level Setup Register 7
Watchdog timer (WDT)	0x40a0	WDTCLK	WDT Clock Control Register
	0x40a2	WDTCTL	WDT Control Register
Real-time clock (RTCA)	0x40c0	RTCCTL	RTC Control Register
	0x40c2	RTCALM1	RTC Second Alarm Register
	0x40c4	RTCALM2	RTC Hour/Minute Alarm Register
	0x40c6	RTCSWCTL	RTC Stopwatch Control Register
	0x40c8	RTCSEC	RTC Second/1Hz Register
	0x40ca	RTCHUR	RTC Hour/Minute Register
	0x40cc	RTCMON	RTC Month/Day Register
	0x40ce	RTCYAR	RTC Year/Week Register
	0x40d0	RTCINTF	RTC Interrupt Flag Register
	0x40d2	RTCINTE	RTC Interrupt Enable Register
Supply voltage detector (SVD)	0x4100	SVDCLK	SVD Clock Control Register
	0x4102	SVDCTL	SVD Control Register
	0x4104	SVDINTF	SVD Status and Interrupt Flag Register
	0x4106	SVDINTE	SVD Interrupt Enable Register
16-bit timer (T16) Ch.0	0x4160	T16_0CLK	T16 Ch.0 Clock Control Register
	0x4162	T16_0MOD	T16 Ch.0 Mode Register

Peripheral circuit	Address	Register name		
16-bit timer (T16) Ch.0	0x4164	T16_OCTL	T16 Ch.0 Control Register	
	0x4166	T16_OTR	T16 Ch.0 Reload Data Register	
	0x4168	T16_OTC	T16 Ch.0 Counter Data Register	
	0x416a	T16_OINTF	T16 Ch.0 Interrupt Flag Register	
	0x416c	T16_OINTE	T16 Ch.0 Interrupt Enable Register	
	Flash controller (FLASHC)	0x41b0	FLASHCWAIT	FLASHC Flash Read Cycle Register
I/O ports (PPORT)	0x4200	P0DAT	P0 Port Data Register	
	0x4202	P0IOEN	P0 Port Enable Register	
	0x4204	P0RCTL	P0 Port Pull-up/down Control Register	
	0x4206	P0INTF	P0 Port Interrupt Flag Register	
	0x4208	P0INTCTL	P0 Port Interrupt Control Register	
	0x420a	P0CHATEN	P0 Port Chattering Filter Enable Register	
	0x420c	P0MODESEL	P0 Port Mode Select Register	
	0x420e	P0FNCSEL	P0 Port Function Select Register	
	0x4210	P1DAT	P1 Port Data Register	
	0x4212	P1IOEN	P1 Port Enable Register	
	0x4214	P1RCTL	P1 Port Pull-up/down Control Register	
	0x421c	P1MODESEL	P1 Port Mode Select Register	
	0x421e	P1FNCSEL	P1 Port Function Select Register	
	0x4220	P2DAT	P2 Port Data Register	
	0x4222	P2IOEN	P2 Port Enable Register	
	0x4224	P2RCTL	P2 Port Pull-up/down Control Register	
	0x422c	P2MODESEL	P2 Port Mode Select Register	
	0x422e	P2FNCSEL	P2 Port Function Select Register	
	0x423a	P3CHATEN	P3 Port Chattering Filter Enable Register	
	0x423c	P3MODESEL	P3 Port Mode Select Register	
	0x423e	P3FNCSEL	P3 Port Function Select Register	
	0x424c	P4MODESEL	P4 Port Mode Select Register	
	0x424e	P4FNCSEL	P4 Port Function Select Register	
	0x4250	P5DAT	P5 Port Data Register	
	0x4252	P5IOEN	P5 Port Enable Register	
	0x4254	P5RCTL	P5 Port Pull-up/down Control Register	
	0x4256	P5INTF	P5 Port Interrupt Flag Register	
	0x4258	P5INTCTL	P5 Port Interrupt Control Register	
	0x425a	P5CHATEN	P5 Port Chattering Filter Enable Register	
	0x425c	P5MODESEL	P5 Port Mode Select Register	
	0x425e	P5FNCSEL	P5 Port Function Select Register	
	0x42d0	PDDAT	Pd Port Data Register	
	0x42d2	PDIOEN	Pd Port Enable Register	
	0x42d4	PDRCTL	Pd Port Pull-up/down Control Register	
	0x42dc	PDMODESEL	Pd Port Mode Select Register	
	0x42de	PDFNCSEL	Pd Port Function Select Register	
	0x42e0	PCLK	P Port Clock Control Register	
	0x42e2	PINTFGRP	P Port Interrupt Flag Group Register	
	UART (UART)	0x4380	UA0CLK	UART Ch.0 Clock Control Register
		0x4382	UA0MOD	UART Ch.0 Mode Register
0x4384		UA0BR	UART Ch.0 Baud-Rate Register	
0x4386		UA0CTL	UART Ch.0 Control Register	
0x4388		UA0TXD	UART Ch.0 Transmit Data Register	
0x438a		UA0RXD	UART Ch.0 Receive Data Register	
0x438c		UA0INTF	UART Ch.0 Status and Interrupt Flag Register	
0x438e		UA0INTE	UART Ch.0 Interrupt Enable Register	
16-bit timer (T16) Ch.1	0x43a0	T16_1CLK	T16 Ch.1 Clock Control Register	
	0x43a2	T16_1MOD	T16 Ch.1 Mode Register	
	0x43a4	T16_1CTL	T16 Ch.1 Control Register	
	0x43a6	T16_1TR	T16 Ch.1 Reload Data Register	
	0x43a8	T16_1TC	T16 Ch.1 Counter Data Register	
	0x43aa	T16_1INTF	T16 Ch.1 Interrupt Flag Register	
	0x43ac	T16_1INTE	T16 Ch.1 Interrupt Enable Register	

4 MEMORY AND BUS

Peripheral circuit	Address	Register name	
Synchronous Serial Interface (SPIA) Ch.0	0x43b0	SPI0MOD	SPIA Ch.0 Mode Register
	0x43b2	SPI0CTL	SPIA Ch.0 Control Register
	0x43b4	SPI0TXD	SPIA Ch.0 Transmit Data Register
	0x43b6	SPI0RXD	SPIA Ch.0 Receive Data Register
	0x43b8	SPI0INTF	SPIA Ch.0 Interrupt Flag Register
	0x43ba	SPI0INTE	SPIA Ch.0 Interrupt Enable Register
I ² C (I2C)	0x43c0	I2C0CLK	I2C Ch.0 Clock Control Register
	0x43c2	I2C0MOD	I2C Ch.0 Mode Register
	0x43c4	I2C0BR	I2C Ch.0 Baud-Rate Register
	0x43c8	I2C0OADR	I2C Ch.0 Own Address Register
	0x43ca	I2C0CTL	I2C Ch.0 Control Register
	0x43cc	I2C0TXD	I2C Ch.0 Transmit Data Register
	0x43ce	I2C0RXD	I2C Ch.0 Receive Data Register
	0x43d0	I2C0INTF	I2C Ch.0 Status and Interrupt Flag Register
	0x43d2	I2C0INTE	I2C Ch.0 Interrupt Enable Register
16-bit timer (T16) Ch.2	0x5100	T16_2CLK	T16 Ch.2 Clock Control Register
	0x5102	T16_2MOD	T16 Ch.2 Mode Register
	0x5104	T16_2CTL	T16 Ch.2 Control Register
	0x5106	T16_2TR	T16 Ch.2 Reload Data Register
	0x5108	T16_2TC	T16 Ch.2 Counter Data Register
	0x510a	T16_2INTF	T16 Ch.2 Interrupt Flag Register
	0x510c	T16_2INTE	T16 Ch.2 Interrupt Enable Register
16-bit timer (T16) Ch.3	0x5120	T16_3CLK	T16 Ch.3 Clock Control Register
	0x5122	T16_3MOD	T16 Ch.3 Mode Register
	0x5124	T16_3CTL	T16 Ch.3 Control Register
	0x5126	T16_3TR	T16 Ch.3 Reload Data Register
	0x5128	T16_3TC	T16 Ch.3 Counter Data Register
	0x512a	T16_3INTF	T16 Ch.3 Interrupt Flag Register
	0x512c	T16_3INTE	T16 Ch.3 Interrupt Enable Register
16-bit timer (T16) Ch.4	0x5260	T16_4CLK	T16 Ch.4 Clock Control Register
	0x5262	T16_4MOD	T16 Ch.4 Mode Register
	0x5264	T16_4CTL	T16 Ch.4 Control Register
	0x5266	T16_4TR	T16 Ch.4 Reload Data Register
	0x5268	T16_4TC	T16 Ch.4 Counter Data Register
	0x526a	T16_4INTF	T16 Ch.4 Interrupt Flag Register
	0x526c	T16_4INTE	T16 Ch.4 Interrupt Enable Register
Synchronous Serial Interface (SPIA) Ch.1	0x5270	SPI1MOD	SPIA Ch.1 Mode Register
	0x5272	SPI1CTL	SPIA Ch.1 Control Register
	0x5274	SPI1TXD	SPIA Ch.1 Transmit Data Register
	0x5276	SPI1RXD	SPIA Ch.1 Receive Data Register
	0x5278	SPI1INTF	SPIA Ch.1 Interrupt Flag Register
	0x527a	SPI1INTE	SPIA Ch.1 Interrupt Enable Register
LCD driver (LCD8A)	0x5400	LCD8CLK	LCD8A Clock Control Register
	0x5402	LCD8CTL	LCD8A Control Register
	0x5404	LCD8TIM	LCD8A Timing Control Register
	0x5406	LCD8PWR	LCD8A Power Control Register
	0x5408	LCD8DSP	LCD8A Display Control Register
	0x540a	LCD8INTF	LCD8A Interrupt Flag Register
	0x540c	LCD8INTE	LCD8A Interrupt Enable Register
	R/F converter (RFC)	0x5440	RFC0CLK
0x5442		RFC0CTL	RFC Ch.0 Control Register
0x5444		RFC0TRG	RFC Ch.0 Oscillation Trigger Register
0x5446		RFC0MCL	RFC Ch.0 Measurement Counter Low Register
0x5448		RFC0MCH	RFC Ch.0 Measurement Counter High Register
0x544a		RFC0TCL	RFC Ch.0 Time Base Counter Low Register
0x544c		RFC0TCH	RFC Ch.0 Time Base Counter High Register
0x544e		RFC0INTF	RFC Ch.0 Interrupt Flag Register
0x5450		RFC0INTE	RFC Ch.0 Interrupt Enable Register

Peripheral circuit	Address	Register name	
MR sensor controller (AMRC)	0x5480	AMRCCLK	AMRC Clock Control Register
	0x5482	AMRCACTL	AMRC AFE Control Register
	0x5484	AMRCEVPLS	AMRC Pulse Control Register
	0x5486	AMRCCTL	AMRC Control Register
	0x5488	AMRCNMLCNT	AMRC Normal Rotation Counter Register
	0x548a	AMRCREVSTPCNT	AMRC Reverse/Stop Counter Register
	0x548c	AMRCECNT0	AMRC Event Counter Ch.0 Register
	0x548e	AMRCECNT1	AMRC Event Counter Ch.1 Register
	0x5490	AMRCECNT2	AMRC Event Counter Ch.2 Register
	0x5492	AMRCUCMP	AMRC Unit Counter Compare Setting Register
	0x5494	AMRCUCNT	AMRC Unit Counter Register
	0x549a	AMRCSTAT	AMRC Status Register
	0x549c	AMRCINTF	AMRC Interrupt Flag Register
0x549e	AMRCINTE	AMRC Interrupt Enable Register	

4.6.1 System-Protect Function

The system-protect function protects control registers and bits from writings. They cannot be rewritten unless write protection is removed by writing 0x0096 to the MSCPROT.PROT[15:0] bits. This function is provided to prevent deadlock that may occur when a system-related register is altered by a runaway CPU. See “Control Registers” in each peripheral circuit to identify the registers and bits with write protection.

Note: Once write protection is removed using the MSCPROT.PROT[15:0] bits, write enabled status is maintained until write protection is applied again. After the registers/bits required have been altered, apply write protection.

4.7 Control Registers

MISC System Protect Register

Register name	Bit	Bit name	Initial	Reset	R/W	Remarks
MSCPROT	15–0	PROT[15:0]	0x0000	H0	R/W	–

Bits 15–0 PROT[15:0]

These bits protect the control registers related to the system against writings.

0x0096 (R/W): Disable system protection

Other than 0x0096 (R/W): Enable system protection

While the system protection is enabled, any data will not be written to the affected control bits (bits with “WP” or “R/WP” appearing in the R/W column).

MISC IRAM Size Register

Register name	Bit	Bit name	Initial	Reset	R/W	Remarks
MSCIRAMSZ	15–9	–	0x00	–	R	–
	8	(reserved)	0	H0	R/WP	Always set to 0.
	7	–	0	–	R	–
	6–4	(reserved)	0x3	–	R	–
	3	–	0	–	R	–
	2–0	IRAMSZ[2:0]	0x3	H0	R/WP	–

Bits 15–3 Reserved

Bits 2–0 IRAMSZ[2:0]

These bits set the internal RAM size that can be used.

Table 4.7.1 Internal RAM Size Selections

MSCIRAMSZ.IRAMSZ[2:0] bits	Internal RAM size
0x7	Reserved
0x6	(16KB)*
0x5	(12KB)*
0x4	(8KB)*
0x3	4KB
0x2	2KB
0x1	1KB
0x0	512B

* Setting prohibited in this IC

FLASHC Flash Read Cycle Register

Register name	Bit	Bit name	Initial	Reset	R/W	Remarks
FLASHCWAIT	15–8	–	0x00	–	R	–
	7	XBUSY	0	H0	R	
	6–2	–	0x00	–	R	
	1–0	RDWAIT[1:0]	0x0	H0	R/WP	

Bits 15–8 Reserved

Bit 7 XBUSY

This bit indicates whether the Flash memory can be accessed or not.

1 (R): Flash memory ready to access

0 (R): Flash access prohibited

The Flash memory can always be accessed during normal operation.

Bits 6–2 Reserved

Bits 1–0 RDWAIT[1:0]

These bits set the number of bus access cycles for reading from the Flash memory.

Table 4.7.2 Setting Number of Bus Access Cycles for Flash Read

FLASHCWAIT.RDWAIT[1:0] bits	Number of bus Access cycles	System clock frequency
0x3	4	16.3 MHz (max.)
0x2	3	16.3 MHz (max.)
0x1	2	16.3 MHz (max.)
0x0	1	8.2 MHz (max.)

Note: Be sure to set the FLASHCWAIT.RDWAIT[1:0] bits before the system clock is configured.

5 Interrupt Controller (ITC)

5.1 Overview

The features of the ITC are listed below.

- Honors interrupt requests from the peripheral circuits and outputs the interrupt request, interrupt level and vector number signals to the CPU.
- The interrupt level of each interrupt source is selectable from among eight levels.
- Priorities of the simultaneously generated interrupts are established from the interrupt level.
- Handles the simultaneously generated interrupts with the same interrupt level as smaller vector number has higher priority.

Figure 5.1.1 shows the configuration of the ITC.

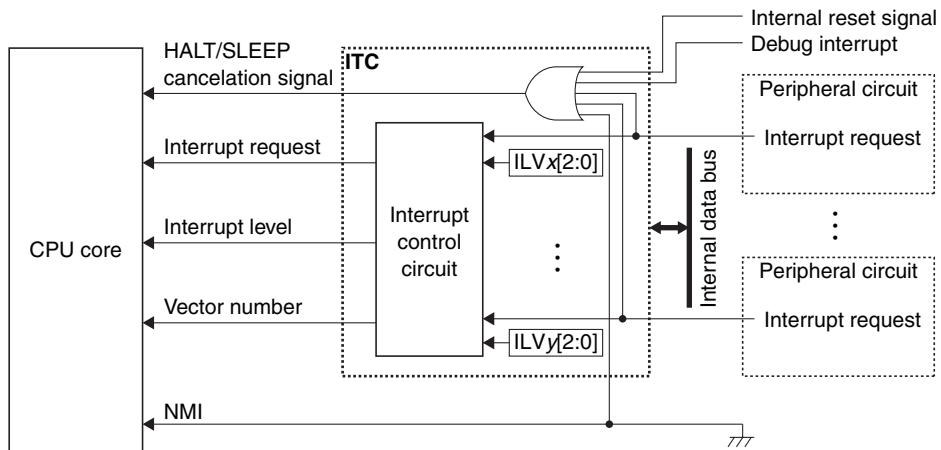


Figure 5.1.1 ITC Configuration

5.2 Vector Table

The vector table contains the vectors to the interrupt handler routines (handler routine start address) that will be read by the CPU to execute the handler when an interrupt occurs.

Table 5.2.1 shows the vector table.

Table 5.2.1 Vector Table

TTBR initial value = 0x8000

Vector number/ Software interrupt number	Vector address	Hardware interrupt name	Cause of hardware interrupt	Priority
0 (0x00)	TTBR + 0x00	Reset	<ul style="list-style-type: none"> • Low input to the #RESET pin • Watchdog timer overflow • Supply voltage detector reset 	1
1 (0x01)	TTBR + 0x04	Address misaligned interrupt	Memory access instruction	2
-	(0xffc00)	Debugging interrupt	brk instruction, etc.	3
2 (0x02)	TTBR + 0x08	NMI	-	4
3 (0x03)	TTBR + 0x0c	Reserved for C compiler	-	-

5 INTERRUPT CONTROLLER (ITC)

Vector number/ Software interrupt number	Vector address	Hardware interrupt name	Hardware interrupt flag	Priority
4 (0x04)	TTBR + 0x10	Supply voltage detector interrupt	Low power supply voltage detection	High *1 ↑
5 (0x05)	TTBR + 0x14	Port interrupt	Port input	
6 (0x06)	TTBR + 0x18	Clock generator interrupt	<ul style="list-style-type: none"> • IOSC oscillation stabilization waiting completion • OSC1 oscillation stabilization waiting completion • OSC1 oscillation stop • IOSC oscillation auto-trimming completion 	
7 (0x07)	TTBR + 0x1c	Real-time clock interrupt	<ul style="list-style-type: none"> • 1-day, 1-hour, 1-minute, and 1-second • 1/32-second, 1/8-second, 1/4-second, and 1/2-second • Stopwatch 1 Hz, 10 Hz, and 100 Hz • Alarm • Theoretical regulation completion 	
8 (0x08)	TTBR + 0x20	16-bit timer Ch.0 interrupt	Underflow	
9 (0x09)	TTBR + 0x24	UART interrupt	<ul style="list-style-type: none"> • End of transmission • Framing error • Parity error • Overrun error • Receive buffer two bytes full • Receive buffer one byte full • Transmit buffer empty 	
10 (0x0a)	TTBR + 0x28	16-bit timer Ch.1 interrupt	Underflow	
11 (0x0b)	TTBR + 0x2c	Synchronous serial interface Ch.0 interrupt	<ul style="list-style-type: none"> • End of transmission • Receive buffer full • Transmit buffer empty • Overrun error 	
12 (0x0c)	TTBR + 0x30	I ² C interrupt	<ul style="list-style-type: none"> • End of data transfer • General call address reception • NACK reception • STOP condition • START condition • Error detection • Receive buffer full • Transmit buffer empty 	
13 (0x0d)	TTBR + 0x34	16-bit timer Ch.2 interrupt	Underflow	
14 (0x0e)	TTBR + 0x38	16-bit timer Ch.3 interrupt	Underflow	
15 (0x0f)	TTBR + 0x3c	16-bit timer Ch.4 interrupt	Underflow	
16 (0x10)	TTBR + 0x40	Synchronous serial interface Ch.1 interrupt	<ul style="list-style-type: none"> • End of transmission • Receive buffer full • Transmit buffer empty • Overrun error 	
17 (0x11)	TTBR + 0x44	LCD driver interrupt	Frame	
18 (0x12)	TTBR + 0x48	R/F converter interrupt	<ul style="list-style-type: none"> • Reference oscillation completion • Sensor A oscillation completion • Sensor B oscillation completion • Measurement counter overflow error • Time base counter overflow error 	
19 (0x13)	TTBR + 0x4c	MR sensor controller interrupt	<ul style="list-style-type: none"> • Unit counter compare match • Event counter Ch.0/1/2 underflow • Comparator Ch.0/1 change • Phase dropout • Stop • Reverse rotation • Normal rotation 	
20 (0x14)	TTBR + 0x50	reserved	–	↓ Low *1
⋮	⋮	⋮	⋮	
31 (0x1f)	TTBR + 0x7c	reserved	–	

*1 When the same interrupt level is set

5.2.1 Vector Table Base Address (TTBR)

The MSCTTBRL and MSCTTBRH registers are provided to set the base (start) address of the vector table in which interrupt vectors are programmed. “TTBR” described in Table 5.2.1 means the value set to these registers. After an initial reset, the MSCTTBRL and MSCTTBRH registers are set to address 0x8000. Therefore, even when the vector table location is changed, it is necessary that at least the reset vector be written to the above address. Bits 7 to 0 in the MSCTTBRL register are fixed at 0, so the vector table always begins from a 256-byte boundary address.

5.3 Initialization

The following shows an example of the initial setting procedure related to interrupts:

1. Execute the di instruction to set the CPU into interrupt disabled state.
2. If the vector table start address is different from the default address, set it to the MSCTTBRL and MSCTTBRH registers after removing system protection by writing 0x0096 to the MSCPROT.PROT[15:0] bits. Then, write a value other than 0x0096 to the MSCPROT.PROT[15:0] bits to set system protection.
3. Set the interrupt enable bit of the peripheral circuit to 0 (interrupt disabled).
4. Set the interrupt level for the peripheral circuit using the ITCLVx.ILVx[2:0] bits in the ITC.
5. Configure the peripheral circuit and start its operation.
6. Clear the interrupt factor flag of the peripheral circuit.
7. Set the interrupt enable bit of the peripheral circuit to 1 (interrupt enabled).
8. Execute the ei instruction to set the CPU into interrupt enabled state.

5.4 Maskable Interrupt Control and Operations

5.4.1 Peripheral Circuit Interrupt Control

The peripheral circuit that generates interrupts includes an interrupt enable bit and an interrupt flag for each interrupt cause.

Interrupt flag: The flag is set to 1 when the interrupt cause occurs. The clear condition depends on the peripheral circuit.

Interrupt enable bit: By setting this bit to 1 (interrupt enabled), an interrupt request will be sent to the ITC when the interrupt flag is set to 1. When this bit is set to 0 (interrupt disabled), no interrupt request will be sent to the ITC even if the interrupt flag is set to 1. An interrupt request is also sent to the ITC if the status is changed to interrupt enabled when the interrupt flag is 1.

For specific information on causes of interrupts, interrupt flags, and interrupt enable bits, refer to the respective peripheral circuit descriptions.

Note: To prevent occurrence of unnecessary interrupts, the corresponding interrupt flag should be cleared before setting the interrupt enable bit to 1 (interrupt enabled) and before terminating the interrupt handler routine.

5.4.2 ITC Interrupt Request Processing

On receiving an interrupt signal from a peripheral circuit, the ITC sends an interrupt request, the interrupt level, and the vector number to the CPU. Vector numbers are determined by the ITC internal hardware for each interrupt cause, as shown in Table 5.2.1. The interrupt level is a value to configure the priority, and it can be set to between 0 (low) and 7 (high) using the ITCLVx.ILVx[2:0] bits provided for each interrupt source. The default ITC settings are level 0 for all maskable interrupts. Interrupt requests are not accepted by the CPU if the level is 0.

The ITC outputs the interrupt request with the highest priority to the CPU in accordance with the following conditions if interrupt requests are input to the ITC simultaneously from two or more peripheral circuits.

- The interrupt with the highest interrupt level takes precedence.
- If multiple interrupt requests are input with the same interrupt level, the interrupt with the lowest vector number takes precedence.

The other interrupts occurring at the same time are held until all interrupts with higher priority levels have been accepted by the CPU.

If an interrupt cause with higher priority occurs while the ITC is outputting an interrupt request signal to the CPU (before being accepted by the CPU), the ITC alters the vector number and interrupt level signals to the setting information on the more recent interrupt. The previously occurring interrupt is held. The held interrupt is canceled and no interrupt is generated if the interrupt flag in the peripheral circuit is cleared via software.

Note: Before changing the interrupt level, make sure that no interrupt of which the level is changed can be generated (the interrupt enable bit of the peripheral circuit is set to 0 or the peripheral circuit is deactivated).

5.4.3 Conditions to Accept Interrupt Requests by the CPU

The CPU accepts an interrupt request sent from the ITC when all of the following conditions are met:

- The IE (Interrupt Enable) bit of the PSR has been set to 1.
- The interrupt request that has occurred has a higher interrupt level than the value set in the IL[2:0] (Interrupt Level) bits of the PSR.
- No other interrupt request having higher priority, such as NMI, has occurred.

5.5 NMI

This IC cannot generate non-maskable interrupts (NMI).

5.6 Software Interrupts

The CPU provides the “int *imm5*” and “intl *imm5, imm3*” instructions allowing the software to generate any interrupts. The operand *imm5* specifies a vector number (0–31) in the vector table. In addition to this, the intl instruction has the operand *imm3* to specify the interrupt level (0–7) to be set to the IL[2:0] bits in the PSR. The software interrupt cannot be disabled (non-maskable interrupt). The processor performs the same interrupt processing operation as that of the hardware interrupt.

5.7 Interrupt Processing by the CPU

The CPU samples interrupt requests for each cycle. On accepting an interrupt request, the CPU switches to interrupt processing immediately after execution of the current instruction has been completed.

Interrupt processing involves the following steps:

1. The PSR and current program counter (PC) values are saved to the stack.
2. The PSR IE bit is cleared to 0 (disabling subsequent maskable interrupts).
3. The PSR IL[2:0] bits are set to the received interrupt level. (The NMI does not affect the IL bits.)
4. The vector for the interrupt occurred is loaded to the PC to execute the interrupt handler routine.

When an interrupt is accepted, Step 2 prevents subsequent maskable interrupts. Setting the IE bit to 1 in the interrupt handler routine allows handling of multiple interrupts. In this case, since the IL[2:0] bits are changed by Step 3, only an interrupt with a higher level than that of the currently processed interrupt will be accepted.

Ending interrupt handler routines using the reti instruction returns the PSR to the state before the interrupt occurred. The program resumes processing following the instruction being executed at the time the interrupt occurred.

Note: When HALT or SLEEP mode is canceled, the CPU jumps to the interrupt handler routine after executing one instruction. To execute the interrupt handler routine immediately after wake-up, place the nop instruction at just behind the halt/slp instruction.

5.8 Control Registers

MISC Vector Table Address Low Register

Register name	Bit	Bit name	Initial	Reset	R/W	Remarks
MSCTTBRL	15–8	TTBR[15:8]	0x80	H0	R/WP	–
	7–0	TTBR[7:0]	0x00	H0	R	

Bits 15–0 TTBR[15:0]

These bits set the vector table base address (16 low-order bits).

MISC Vector Table Address High Register

Register name	Bit	Bit name	Initial	Reset	R/W	Remarks
MSCTTBRH	15–8	–	0x00	–	R	–
	7–0	TTBR[23:16]	0x00	H0	R/WP	

Bits 15–8 Reserved

Bits 7–0 TTBR[23:16]

These bits set the vector table base address (eight high-order bits).

ITC Interrupt Level Setup Register x

Register name	Bit	Bit name	Initial	Reset	R/W	Remarks
ITCLVx	15–11	–	0x00	–	R	–
	10–8	ILVy ₁ [2:0]	0x0	H0	R/W	
	7–3	–	0x00	–	R	
	2–0	ILVy ₀ [2:0]	0x0	H0	R/W	

Bits 15–11 Reserved

Bits 7–3 Reserved

Bits 10–8 ILVy₁[2:0] ($y_1 = 2x + 1$)

Bits 2–0 ILVy₀[2:0] ($y_0 = 2x$)

These bits set the interrupt level of each interrupt.

Table 5.8.1 Interrupt Level and Priority Settings

ITCLVx.ILVy[2:0] bits	Interrupt level	Priority
0x7	7	High
0x6	6	↑
...	...	
0x1	1	↓
0x0	0	Low

The following shows the ITCLVx register configuration in this IC.

Table 5.8.2 List of ITCLVx Registers

Register name	Bit	Bit name	Initial	Reset	R/W	Remarks
ITCLV0 (ITC Interrupt Level Setup Register 0)	15–11	–	0x00	–	R	–
	10–8	ILV1[2:0]	0x0	H0	R/W	Port interrupt (ILVPPORT)
	7–3	–	0x00	–	R	–
	2–0	ILV0[2:0]	0x0	H0	R/W	Supply voltage detector interrupt (ILVSVD)
ITCLV1 (ITC Interrupt Level Setup Register 1)	15–11	–	0x00	–	R	–
	10–8	ILV3[2:0]	0x0	H0	R/W	Real-time clock interrupt (ILVRTCA_0)
	7–3	–	0x00	–	R	–
	2–0	ILV2[2:0]	0x0	H0	R/W	Clock generator interrupt (ILVCLG)
ITCLV2 (ITC Interrupt Level Setup Register 2)	15–11	–	0x00	–	R	–
	10–8	ILV5[2:0]	0x0	H0	R/W	UART interrupt (ILVUART_0)
	7–3	–	0x00	–	R	–
	2–0	ILV4[2:0]	0x0	H0	R/W	16-bit timer Ch.0 interrupt (ILVT16_0)

5 INTERRUPT CONTROLLER (ITC)

Register name	Bit	Bit name	Initial	Reset	R/W	Remarks
ITCLV3 (ITC Interrupt Level Setup Register 3)	15-11	–	0x00	–	R	–
	10-8	ILV7[2:0]	0x0	H0	R/W	Synchronous serial interface Ch.0 interrupt (ILVSPIA_0)
	7-3	–	0x00	–	R	–
	2-0	ILV6[2:0]	0x0	H0	R/W	16-bit timer Ch.1 interrupt (ILVT16_1)
ITCLV4 (ITC Interrupt Level Setup Register 4)	15-11	–	0x00	–	R	–
	10-8	ILV9[2:0]	0x0	H0	R/W	16-bit timer Ch.2 interrupt (ILVT16_2)
	7-3	–	0x00	–	R	–
	2-0	ILV8[2:0]	0x0	H0	R/W	I ² C interrupt (ILVI2C_0)
ITCLV5 (ITC Interrupt Level Setup Register 5)	15-11	–	0x00	–	R	–
	10-8	ILV11[2:0]	0x0	H0	R/W	16-bit timer Ch.4 interrupt (ILVT16_4)
	7-3	–	0x00	–	R	–
	2-0	ILV10[2:0]	0x0	H0	R/W	16-bit timer Ch.3 interrupt (ILVT16_3)
ITCLV6 (ITC Interrupt Level Setup Register 6)	15-11	–	0x00	–	R	–
	10-8	ILV13[2:0]	0x0	H0	R/W	LCD driver interrupt (ILVLCD8A)
	7-3	–	0x00	–	R	–
	2-0	ILV12[2:0]	0x0	H0	R/W	Synchronous serial interface Ch.1 interrupt (ILVSPIA_1)
ITCLV7 (ITC Interrupt Level Setup Register 7)	15-11	–	0x00	–	R	–
	10-8	ILV15[2:0]	0x0	H0	R/W	MR sensor controller interrupt (ILVAMRC)
	7-3	–	0x00	–	R	–
	2-0	ILV14[2:0]	0x0	H0	R/W	R/F converter interrupt (ILVRFC_0)

6 I/O Ports (PPORT)

6.1 Overview

PPORT controls the I/O ports. The main features are outlined below.

- Allows port-by-port function configurations.
 - Each port can be configured with or without a pull-up or pull-down resistor.
 - Each port can be configured with or without a chattering filter.
 - Allows selection of the function (general-purpose I/O port (GPIO) function, up to four peripheral I/O functions) to be assigned to each port.
- Ports, except for those shared with debug pins, are initially placed into Hi-Z state. (No current passes through the pin during this Hi-Z state.)
- Over voltage tolerant fail-safe design allowing interface with the signal without passing unnecessary current even if a voltage exceeding V_{DD} is applied.

Note: 'x', which is used in the port names Pxy, register names, and bit names, refers to a port group (x = 0, 1, 2, ..., d) and 'y' refers to a port number (y = 0, 1, 2, ..., 7).

Figure 6.1.1 shows the configuration of PPORT.

Port configuration in this IC

- Port groups included: P0[7:0], P1[7:0], P2[7:0], P3[7:0], P4[7:0], P5[7:0], Pd[2:0]
- Ports with general-purpose I/O function (GPIO): P0[7:0], P1[7:4], P2[1:0], P5[7:6], Pd[2:0](Pd2: output only)
- Ports with interrupt function: P0[7:0], P5[7:6]
- Ports for debug function: Pd[2:0]

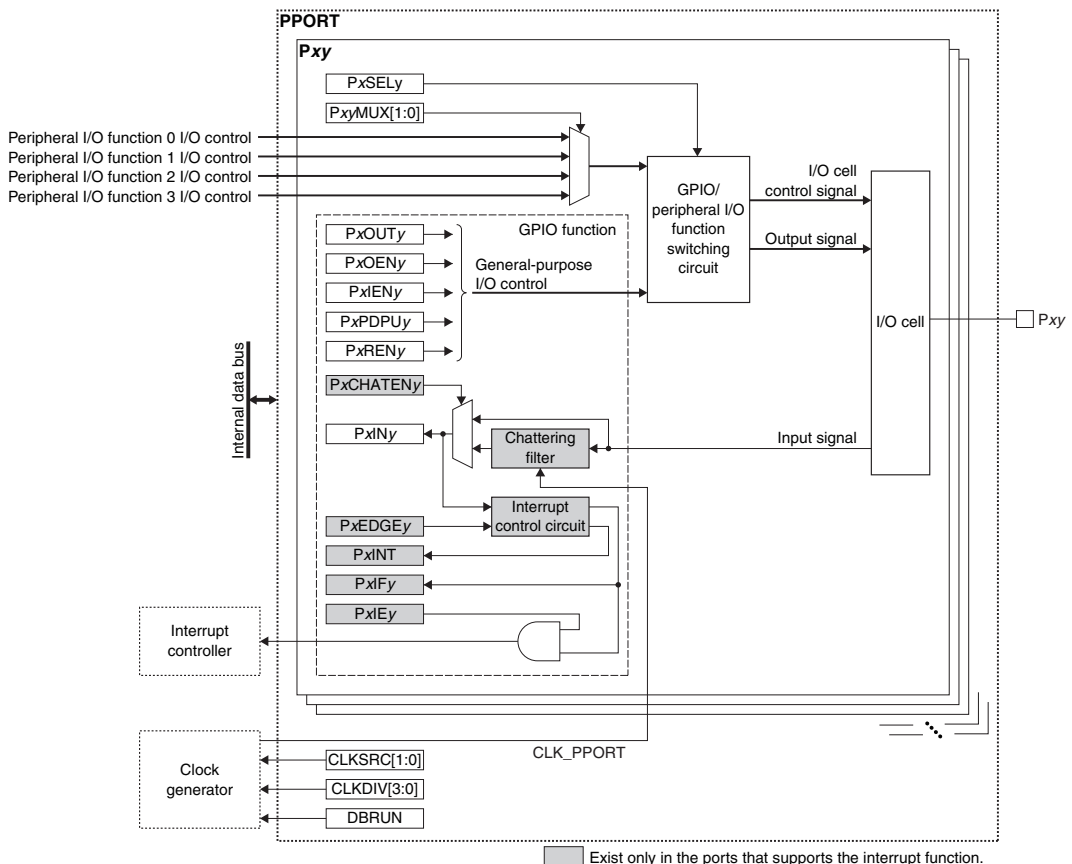


Figure 6.1.1 PPORT Configuration

6.2 I/O Cell Structure and Functions

Figure 6.2.1 shows the I/O cell Configuration.

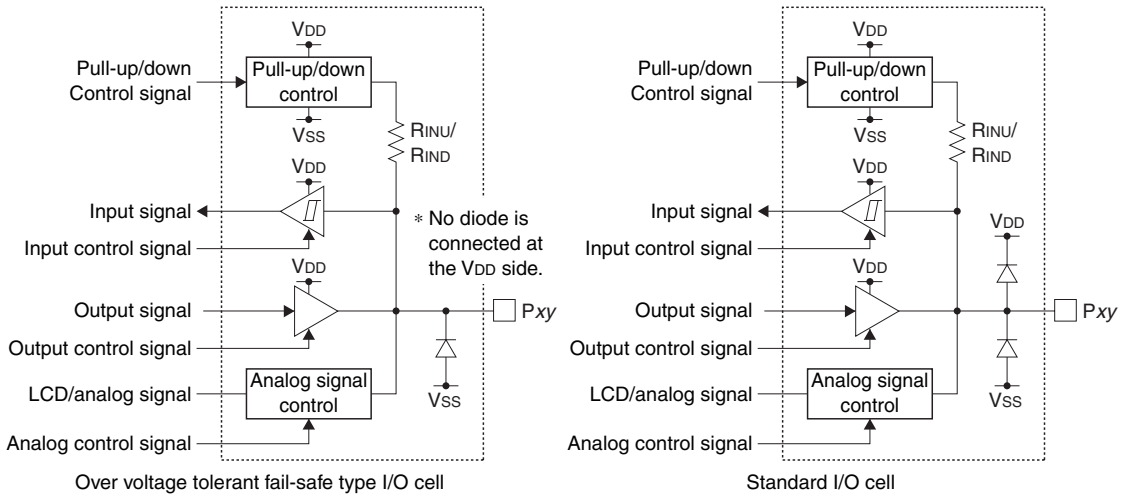


Figure 6.2.1 I/O Cell Configuration

Refer to “Pin Descriptions” in the “Overview” chapter for the cell type, either the over voltage tolerant fail-safe type I/O cell or the standard I/O cell, included in each port.

6.2.1 Schmitt Input

The input functions are all configured with the Schmitt interface level. When a port is set to input disable status (PxIOEN.PxIENy bit = 0), unnecessary current is not consumed if the Pxy pin is placed into floating status.

6.2.2 Over Voltage Tolerant Fail-Safe Type I/O Cell

The over voltage tolerant fail-safe type I/O cell allows interfacing without passing unnecessary current even if a voltage exceeding V_{DD} is applied to the port. Also unnecessary current is not consumed when the port is externally biased without supplying V_{DD} . However, be sure to avoid applying a voltage exceeding the recommended maximum operating power supply voltage to the port.

6.2.3 Pull-Up/Pull-Down

The GPIO port has a pull-up/pull-down function. Either pull-up or pull-down may be selected for each port individually. This function may also be disabled for the port that does not require pulling up/down.

When the port level is switched from low to high through the pull-up resistor included in the I/O cell or from high to low through the pull-down resistor, a delay will occur in the waveform rising/falling edge depending on the time constant by the pull-up/pull-down resistance and the pin load capacitance. The rising/falling time is commonly determined by the following equation:

$$\begin{aligned} T_{PR} &= -R_{INU} \times (C_{IN} + C_{BOARD}) \times \ln(1 - V_{T+}/V_{DD}) \\ T_{PF} &= -R_{IND} \times (C_{IN} + C_{BOARD}) \times \ln(1 - V_{T-}/V_{DD}) \end{aligned} \quad (\text{Eq. 6.1})$$

Where

- T_{PR}: Rising time (port level = low → high) [second]
- T_{PF}: Falling time (port level = high → low) [second]
- V_{T+}: High level Schmitt input threshold voltage [V]
- V_{T-}: Low level Schmitt input threshold voltage [V]
- R_{INU}/R_{IND}: Pull-up/pull-down resistance [Ω]
- C_{IN}: Pin capacitance [F]
- C_{BOARD}: Parasitic capacitance on the board [F]

6.2.4 CMOS Output and High Impedance State

The I/O cells except for analog output can output signals in the V_{DD} and V_{SS} levels. Also the GPIO ports may be put into high-impedance (Hi-Z) state.

6.3 Clock Settings

6.3.1 PPORT Operating Clock

When using the chattering filter for entering external signals to PPORT, the PPORT operating clock CLK_PPORT must be supplied to PPORT from the clock generator.

The CLK_PPORT supply should be controlled as in the procedure shown below.

1. Enable the clock source in the clock generator if it is stopped (refer to “Clock Generator” in the “Power Supply, Reset, and Clocks” chapter).
2. Write 0x0096 to the MSCPROT.PROT[15:0] bits. (Remove system protection)
3. Set the following PCLK register bits:
 - PCLK.CLKSRC[1:0] bits (Clock source selection)
 - PCLK.CLKDIV[3:0] bits (Clock division ratio selection = Clock frequency setting)
4. Write a value other than 0x0096 to the MSCPROT.PROT[15:0] bits. (Set system protection)

Settings in Step 3 determine the input sampling time of the chattering filter.

6.3.2 Clock Supply in SLEEP Mode

When using the chattering filter function during SLEEP mode, the PPORT operating clock CLK_PPORT must be configured so that it will keep supplying by writing 0 to the CLGOSC.xxxxSLPC bit for the CLK_PPORT clock source.

If the CLGOSC.xxxxSLPC bit for the CLK_PPORT clock source is 1, the CLK_PPORT clock source is deactivated during SLEEP mode and it disables the chattering filter function regardless of the PxCHATEN.PxCHATENy bit setting (chattering filter enabled/disabled).

6.3.3 Clock Supply in DEBUG Mode

The CLK_PPORT supply during DEBUG mode should be controlled using the PCLK.DBRUN bit.

The CLK_PPORT supply to PPORT is suspended when the CPU enters DEBUG mode if the PCLK.DBRUN bit = 0. After the CPU returns to normal mode, the CLK_PPORT supply resumes. The PPORT chattering filter stops operating when the CLK_PPORT supply is suspended. If the chattering filter is enabled in PPORT, the input port function is also deactivated. However, the control registers can be altered. If the PCLK.DBRUN bit = 1, the CLK_PPORT supply is not suspended and the chattering filter will keep operating in DEBUG mode.

6.4 Operations

6.4.1 Initialization

After a reset, the ports except for the debugging function are configured as shown below.

- Port input: Disabled
- Port output: Disabled
- Pull-up: Off
- Pull-down: Off
- Port pins: High impedance state
- Port function: Configured to GPIO

This status continues until the ports are configured via software. The debugging function ports are configured for debug signal input/output.

Initial settings when using a port for a peripheral I/O function

When using the P_{xy} port for a peripheral I/O function, perform the following software initial settings:

1. Set the following P_xIOEN register bits:
 - Set the P_xIOEN.P_xIEN_y bit to 0. (Disable input)
 - Set the P_xIOEN.P_xOEN_y bit to 0. (Disable output)
2. Set the P_xMODESEL.P_xSEL_y bit to 0. (Disable peripheral I/O function)
3. Initialize the peripheral circuit that uses the pin.
4. Set the P_xFNCSEL.P_xMUX[1:0] bits. (Select peripheral I/O function)
5. Set the P_xMODESEL.P_xSEL_y bit to 1. (Enable peripheral I/O function)

For the list of the peripheral I/O functions that can be assigned to each port of this IC, refer to “Control Register and Port Function Configuration of this IC.” For the specific information on the peripheral I/O functions, refer to the respective peripheral circuit chapter.

Initial settings when using a port as a general-purpose output port (only for the ports with GPIO function)

When using the P_{xy} port pin as a general-purpose output pin, perform the following software initial settings:

1. Set the P_xIOEN.P_xOEN_y bit to 1. (Enable output)
2. Set the P_xMODESEL.P_xSEL_y bit to 0. (Enable GPIO function)

Initial settings when using a port as a general-purpose input port (only for the ports with GPIO function)

When using the P_{xy} port pin as a general-purpose input pin, perform the following software initial settings:

1. Write 0 to the P_xINTCTL.P_xIE_y bit. * (Disable interrupt)
2. When using the chattering filter, configure the PPORT operating clock (see “PPORT Operating Clock”) and set the P_xCHATEN.P_xCHATEN_y bit to 1. *

When the chattering filter is not used, set the P_xCHATEN.P_xCHATEN_y bit to 0 (supply of the PPORT operating clock is not required).

3. Configure the following P_xRCTL register bits when pulling up/down the port using the internal pull-up or down resistor:
 - P_xRCTL.P_xPDPU_y bit (Select pull-up or pull-down resistor)
 - Set the P_xRCTL.P_xREN_y bit to 1. (Enable pull-up/down)

Set the P_xRCTL.P_xREN_y bit to 0 if the internal pull-up/down resistors are not used.

4. Set the P_xMODESEL.P_xSEL_y bit to 0. (Enable GPIO function)
5. Configure the following bits when using the port input interrupt: *
 - Write 1 to the P_xINTF.P_xIF_y bit. (Clear interrupt flag)
 - P_xINTCTL.P_xEDGE_y bit (Select interrupt edge (input rising edge/falling edge))
 - Set the P_xINTCTL.P_xIE_y bit to 1. (Enable interrupt)
6. Set the following P_xIOEN register bits:
 - Set the P_xIOEN.P_xOEN_y bit to 0. (Disable output)
 - Set the P_xIOEN.P_xIEN_y bit to 1. (Enable input)

* Steps 1 and 5 are required for the ports with an interrupt function. Step 2 is required for the ports with a chattering filter function.

Table 6.4.1.1 lists the port status according to the combination of data input/output control and pull-up/down control.

Table 6.4.1.1 GPIO Port Control List

PxIOEN. PxIENy bit	PxIOEN. PxOENy bit	PxRCTL. PxRENy bit	PxRCTL. PxPDUy bit	Input	Output	Pull-up/pull-down condition
0	0	0	×	Disabled		Off (Hi-Z) *1
0	0	1	0	Disabled		Pulled down
0	0	1	1	Disabled		Pulled up
1	0	0	×	Enabled	Disabled	Off (Hi-Z) *2
1	0	1	0	Enabled	Disabled	Pulled down
1	0	1	1	Enabled	Disabled	Pulled up
0	1	0	×	Disabled	Enabled	Off
0	1	1	0	Disabled	Enabled	Off
0	1	1	1	Disabled	Enabled	Off
1	1	1	0	Enabled	Enabled	Off
1	1	1	1	Enabled	Enabled	Off

*1: Initial status. Current does not flow if the pin is placed into floating status.

*2: Use of the pull-up or pull-down function is recommended, as undesired current will flow if the port input is set to floating status.

Note: If the PxMODSEL.PxSELy bit for the port without a GPIO function is set to 0, the port goes into initial status (refer to “Initial Settings”). The GPIO control bits are configured to a read-only bit always read out as 0.

6.4.2 Port Input/Output Control

Peripheral I/O function control

The port for which a peripheral I/O function is selected is controlled by the peripheral circuit. For more information, refer to the respective peripheral circuit chapter.

Setting output data to a GPIO port

Write data (1 = high output, 0 = low output) to be output from the Pxy pin to the PxDAT.PxOUTy bit.

Reading input data from a GPIO port

The data (1 = high input, 0 = low input) input from the Pxy pin can be read out from the PxDAT.PxINy bit.

Note: The PxDAT.PxINy bit retains the input port status at 1 clock before being read from the CPU.

Chattering filter function

Some ports have a chattering filter function and it can be controlled in each port. This function is enabled by setting the PxCHATEN.PxCHATENy bit to 1. The input sampling time to remove chattering is determined by the CLK_PPOR frequency configured using the PCLK register in common to all ports. The chattering filter removes pulses with a shorter width than the input sampling time.

$$\text{Input sampling time} = \frac{2 \text{ to } 3}{\text{CLK_PPOR frequency [Hz]}} \text{ [second]} \quad (\text{Eq.6.2})$$

Make sure the Pxy port interrupt is disabled before altering the PCLK register and PxCHATEN.PxCHATENy bit settings. A Pxy port interrupt may erroneously occur if these settings are altered in an interrupt enabled status. Furthermore, enable the interrupt after a lapse of four or more CLK_PPOR cycles from enabling the chattering filter function.

If the clock generator is configured so that it will supply CLK_PPOR to PPORT in SLEEP mode, the chattering filter of the port will function even in SLEEP mode. If CLK_PPOR is configured to stop in SLEEP mode, PPORT inactivates the chattering filter during SLEEP mode to input pin status transitions directly to itself.

6.5 Interrupts

When the GPIO function is selected for the port with an interrupt function, the port input interrupt function can be used.

Table 6.5.1 Port Input Interrupt Function

Interrupt	Interrupt flag	Set condition	Clear condition
Port input interrupt	PxINTF.PxIFy	Rising or falling edge of the input signal	Writing 1
	PINTFGRP.PxINT	Setting an interrupt flag in the port group	Clearing PxINTF.PxIFy

Interrupt edge selection

Port input interrupts will occur at the falling edge of the input signal when setting the PxINTCTL.PxEDGEy bit to 1, or the rising edge when setting to 0.

Interrupt enable

PPORT provides interrupt enable bits (PxINTCTL.PxIEy bit) corresponding to each interrupt flag. An interrupt request is sent to the interrupt controller only when the interrupt flag, of which interrupt has been enabled by the interrupt enable bit, is set. For more information on interrupt control, refer to the “Interrupt Controller” chapter.

Interrupt check in port group unit

When interrupts are enabled in two or more port groups, check the PINTFGRP.PxINT bit in the interrupt handler first. It helps minimize the handler codes for finding the port that has generated an interrupt. If this bit is set to 1, an interrupt has occurred in the port group. Next, check the PxINTF.PxIFy bit set to 1 in the port group to determine the port that has generated an interrupt. Clearing the PxINTF.PxIFy bit also clears the PINTFGRP.PxINT bit. If the port is set to interrupt disabled status by the PxINTCTL.PxIEy bit, the PINTFGRP.PxINT bit will not be set even if the PxINTF.PxIFy bit is set to 1.

6.6 Control Registers

This section describes the same control registers of all port groups as a single register. For the register and bit configurations in each port group and their initial values, refer to “Control Register and Port Function Configuration of this IC.”

Px Port Data Register

Register name	Bit	Bit name	Initial	Reset	R/W	Remarks
PxDAT	15–8	PxOUT[7:0]	0x00	H0	R/W	–
	7–0	PxIN[7:0]	0x00	H0	R	

*1: This register is effective when the GPIO function is selected.

*2: The bit configuration differs depending on the port group.

*3: The initial value may be changed by the port.

Bits 15–8 PxOUT[7:0]

These bits are used to set data to be output from the GPIO port pins.

1 (R/W): Output high level from the port pin

0 (R/W): Output low level from the port pin

When output is enabled (PxIOEN.PxOENy bit = 1), the port pin outputs the data set here. Although data can be written when output is disabled (PxIOEN.PxOENy bit = 0), it does not affect the pin status.

These bits do not affect the outputs when the port is used as a peripheral I/O function.

Bits 7–0 PxIN[7:0]

The GPIO port pin status can be read out from these bits.

1 (R): Port pin = High level

0 (R): Port pin = Low level

The port pin status can be read out when input is enabled (PxIOEN.PxIENy bit = 1). When input is disabled (PxIOEN.PxIENy bit = 0), these bits are always read as 0.

When the port is used for a peripheral I/O function, the input value cannot be read out from these bits.

Px Port Enable Register

Register name	Bit	Bit name	Initial	Reset	R/W	Remarks
PxIOEN	15–8	PxIEN[7:0]	0x00	H0	R/W	–
	7–0	PxOEN[7:0]	0x00	H0	R/W	

*1: This register is effective when the GPIO function is selected.

*2: The bit configuration differs depending on the port group.

Bits 15–8 PxIEN[7:0]

These bits enable/disable the GPIO port input.

1 (R/W): Enable (The port pin status is input.)

0 (R/W): Disable (Input data is fixed at 0.)

When both data output and data input are enabled, the pin output status controlled by this IC can be read.

These bits do not affect the input control when the port is used as a peripheral I/O function.

Bits 7–0 PxOEN[7:0]

These bits enable/disable the GPIO port output.

1 (R/W): Enable (Data is output from the port pin.)

0 (R/W): Disable (The port is placed into Hi-Z.)

These bits do not affect the output control when the port is used as a peripheral I/O function.

Px Port Pull-up/down Control Register

Register name	Bit	Bit name	Initial	Reset	R/W	Remarks
PxRCTL	15–8	PxPDPU[7:0]	0x00	H0	R/W	–
	7–0	PxREN[7:0]	0x00	H0	R/W	

*1: This register is effective when the GPIO function is selected.

*2: The bit configuration differs depending on the port group.

Bits 15–8 PxPDPU[7:0]

These bits select either the pull-up resistor or the pull-down resistor when using a resistor built into the port.

1 (R/W): Pull-up resistor

0 (R/W): Pull-down resistor

The selected pull-up/down resistor is enabled when the PxRCTL.PxRENY bit = 1.

Bits 7–0 PxREN[7:0]

These bits enable/disable the port pull-up/down control.

1 (R/W): Enable (The built-in pull-up/down resistor is used.)

0 (R/W): Disable (No pull-up/down control is performed.)

Enabling this function pulls up or down the port when output is disabled (PxIOEN.PxOENy bit = 0). When output is enabled (PxIOEN.PxOENy bit = 1), the PxRCTL.PxRENY bit setting is ineffective regardless of how the PxIOEN.PxIENy bit is set and the port is not pulled up/down.

These bits do not affect the pull-up/down control when the port is used as a peripheral I/O function.

Px Port Interrupt Flag Register

Register name	Bit	Bit name	Initial	Reset	R/W	Remarks
PxINTF	15–8	–	0x00	–	R	–
	7–0	PxIF[7:0]	0x00	H0	R/W	

*1: This register is effective when the GPIO function is selected.

*2: The bit configuration differs depending on the port group.

Bits 15–8 Reserved

6 I/O PORTS (PPORT)

Bits 7–0 PxIF[7:0]

These bits indicate the port input interrupt cause occurrence status.

- 1 (R): Cause of interrupt occurred
- 0 (R): No cause of interrupt occurred
- 1 (W): Clear flag
- 0 (W): Ineffective

Px Port Interrupt Control Register

Register name	Bit	Bit name	Initial	Reset	R/W	Remarks
PxINTCTL	15–8	PxEDGE[7:0]	0x00	H0	R/W	–
	7–0	PxIE[7:0]	0x00	H0	R/W	

*1: This register is effective when the GPIO function is selected.

*2: The bit configuration differs depending on the port group.

Bits 15–8 PxEDGE[7:0]

These bits select the input signal edge to generate a port input interrupt.

- 1 (R/W): An interrupt will occur at a falling edge.
- 0 (R/W): An interrupt will occur at a rising edge.

Bits 7–0 PxIE[7:0]

These bits enable port input interrupts.

- 1 (R/W): Enable interrupts
- 0 (R/W): Disable interrupts

Note: To prevent generating unnecessary interrupts, the corresponding interrupt flag should be cleared before enabling interrupts.

Px Port Chattering Filter Enable Register

Register name	Bit	Bit name	Initial	Reset	R/W	Remarks
PxCHATEN	15–8	–	0x00	–	R	–
	7–0	PxCHATEN[7:0]	0x00	H0	R/W	

*1: The bit configuration differs depending on the port group.

Bits 15–8 Reserved

Bits 7–0 PxCHATEN[7:0]

These bits enable/disable the chattering filter function.

- 1 (R/W): Enable (The chattering filter is used.)
- 0 (R/W): Disable (The chattering filter is bypassed.)

Px Port Mode Select Register

Register name	Bit	Bit name	Initial	Reset	R/W	Remarks
PxMODESEL	15–8	–	0x00	–	R	–
	7–0	PxSEL[7:0]	0x00	H0	R/W	

*1: The bit configuration differs depending on the port group.

*2: The initial value may be changed by the port.

Bits 15–8 Reserved

Bits 7–0 PxSEL[7:0]

These bits select whether each port is used for the GPIO function or a peripheral I/O function.

- 1 (R/W): Use peripheral I/O function
- 0 (R/W): Use GPIO function

Px Port Function Select Register

Register name	Bit	Bit name	Initial	Reset	R/W	Remarks
PxFNCSEL	15–14	Px7MUX[1:0]	0x0	H0	R/W	–
	13–12	Px6MUX[1:0]	0x0	H0	R/W	
	11–10	Px5MUX[1:0]	0x0	H0	R/W	
	9–8	Px4MUX[1:0]	0x0	H0	R/W	
	7–6	Px3MUX[1:0]	0x0	H0	R/W	
	5–4	Px2MUX[1:0]	0x0	H0	R/W	
	3–2	Px1MUX[1:0]	0x0	H0	R/W	
	1–0	Px0MUX[1:0]	0x0	H0	R/W	

*1: The bit configuration differs depending on the port group.

*2: The initial value may be changed by the port.

Bits 15–14 Px7MUX[1:0]

: :

Bits 1–0 Px0MUX[1:0]

These bits select the peripheral I/O function to be assigned to each port pin.

Table 6.6.1 Selecting Peripheral I/O Function

PxFNCSEL.PxyMUX[1:0] bits	Peripheral I/O function
0x3	Function 3
0x2	Function 2
0x1	Function 1
0x0	Function 0

This selection takes effect when the PxMODESEL.PxSELY bit = 1.

P Port Clock Control Register

Register name	Bit	Bit name	Initial	Reset	R/W	Remarks
PCLK	15–9	–	0x00	–	R	–
	8	DBRUN	0	H0	R/WP	
	7–4	CLKDIV[3:0]	0x0	H0	R/WP	
	3–2	–	0x0	–	R	
	1–0	CLKSRC[1:0]	0x0	H0	R/WP	

Bits 15–9 Reserved

Bit 8 DBRUN

This bit sets whether the PPORT operating clock is supplied in DEBUG mode or not.

1 (R/WP): Clock supplied in DEBUG mode

0 (R/WP): No clock supplied in DEBUG mode

Bits 7–4 CLKDIV[3:0]

These bits select the division ratio of the PPORT operating clock (chattering filter clock).

Bits 3–2 Reserved

Bits 1–0 CLKSRC[1:0]

These bits select the clock source of PPORT (chattering filter).

The PPORT operating clock should be configured by selecting the clock source using the PCLK.CLKSRC[1:0] bits and the clock division ratio using the PCLK.CLKDIV[3:0] bits as shown in Table 6.6.2. These settings determine the input sampling time of the chattering filter.

Table 6.6.2 Clock Source and Division Ratio Settings

PCLK.CLKDIV[3:0] bits	PCLK.CLKSRC[1:0] bits			
	0x0	0x1	0x2	0x3
	IOSC	OSC1	OSC3	EXOSC
0xf		1/32,768		1/1
0xe		1/16,384		
0xd		1/8,192		
0xc		1/4,096		
0xb		1/2,048		
0xa		1/1,024		
0x9		1/512		
0x8		1/256		
0x7		1/128		
0x6		1/64		
0x5		1/32		
0x4		1/16		
0x3		1/8		
0x2		1/4		
0x1		1/2		
0x0		1/1		

(Note) The oscillation circuits/external input that are not supported in this IC cannot be selected as the clock source.

P Port Interrupt Flag Group Register

Register name	Bit	Bit name	Initial	Reset	R/W	Remarks
PINTFGRP	15–13	–	0x0	–	R	–
	12	PcINT	0	H0	R	
	11	PbINT	0	H0	R	
	10	PaINT	0	H0	R	
	9	P9INT	0	H0	R	
	8	P8INT	0	H0	R	
	7	P7INT	0	H0	R	
	6	P6INT	0	H0	R	
	5	P5INT	0	H0	R	
	4	P4INT	0	H0	R	
	3	P3INT	0	H0	R	
	2	P2INT	0	H0	R	
	1	P1INT	0	H0	R	
	0	P0INT	0	H0	R	

*1: Only the bits corresponding to the port groups that support interrupts are provided.

Bits 15–13 Reserved

Bits 12–0 PxINT

These bits indicate that Px port group includes a port that has generated an interrupt.

1 (R): A port generated an interrupt

0 (R): No port generated an interrupt

The PINTFGRP.PxINT bit is cleared when the interrupt flag for the port that has generated an interrupt is cleared.

6.7 Control Register and Port Function Configuration of this IC

This section shows the PPORT control register/bit configuration in this IC and the list of peripheral I/O functions selectable for each port.

6.7.1 P0 Port Group

The P0 port group supports the GPIO and interrupt functions.

Table 6.7.1.1 Control Registers for P0 Port Group

Register name	Bit	Bit name	Initial	Reset	R/W	Remarks
PODAT (P0 Port Data Register)	15–8	POOUT[7:0]	0x00	H0	R/W	–
	7–0	POIN[7:0]	0x00	H0	R	
PIOEN (P0 Port Enable Register)	15–8	POIEN[7:0]	0x00	H0	R/W	–
	7–0	POOEN[7:0]	0x00	H0	R/W	
PORCTL (P0 Port Pull-up/down Control Register)	15–8	PODPDU[7:0]	0x00	H0	R/W	–
	7–0	POREN[7:0]	0x00	H0	R/W	
POINTF (P0 Port Interrupt Flag Register)	15–8	–	0x00	–	R	–
	7–0	POIF[7:0]	0x00	H0	R/W	
POINTCTL (P0 Port Interrupt Control Register)	15–8	POEDGE[7:0]	0x00	H0	R/W	–
	7–0	POIE[7:0]	0x00	H0	R/W	
POCHATEN (P0 Port Chattering Filter Enable Register)	15–8	–	0x00	–	R	–
	7–0	POCHATEN[7:0]	0x00	H0	R/W	
P0MODESEL (P0 Port Mode Select Register)	15–8	–	0x00	–	R	–
	7–0	P0SEL[7:0]	0x00	H0	R/W	
P0FNCSSEL (P0 Port Function Select Register)	15–14	P07MUX[1:0]	0x0	H0	R/W	–
	13–12	P06MUX[1:0]	0x0	H0	R/W	
	11–10	P05MUX[1:0]	0x0	H0	R/W	
	9–8	P04MUX[1:0]	0x0	H0	R/W	
	7–6	P03MUX[1:0]	0x0	H0	R/W	
	5–4	P02MUX[1:0]	0x0	H0	R/W	
	3–2	P01MUX[1:0]	0x0	H0	R/W	
1–0	P00MUX[1:0]	0x0	H0	R/W		

Table 6.7.1.2 P0 Port Group Function Assignment

Port name	P0SELY = 0		P0SELY = 1						
	GPIO	P0yMUX = 0x0 (Function 0)		P0yMUX = 0x1 (Function 1)		P0yMUX = 0x2 (Function 2)		P0yMUX = 0x3 (Function 3)	
		Peripheral	Pin	Peripheral	Pin	Peripheral	Pin	Peripheral	Pin
P00	P00	–	EXOSC	RFC	RFCLK00	–	–	LCD8A	SEG0
P01	P01	UART	USIN0	LCD8A	LFRO	–	–	LCD8A	SEG1
P02	P02	UART	USOUT0	RTCA	RTC1S	–	–	LCD8A	SEG2
P03	P03	I2C	SCL0	RFC	SENB0	–	–	–	–
P04	P04	I2C	SDA0	RFC	SENA0	–	–	–	–
P05	P05	SPIA Ch.0	SDI0	RFC	REF0	–	–	–	–
P06	P06	SPIA Ch.0	SDO0	RFC	RFIN0	–	–	–	–
P07	P07	SPIA Ch.0	SPICLK0	AMRC	EVPLS	SVD	EXSVD	–	–

6.7.2 P1 Port Group

The P14–P17 ports in the P1 port group support the GPIO function. Note, however, that no interrupt and chattering functions are implemented in these ports. The P10–P13 ports do not support the GPIO function.

Table 6.7.2.1 Control Registers for P1 Port Group

Register name	Bit	Bit name	Initial	Reset	R/W	Remarks
P1DAT (P1 Port Data Register)	15–12	P1OUT[7:4]	0x0	H0	R/W	–
	11–8	–	0x0	–	R	
	7–4	P1IN[7:4]	0x0	H0	R	
	3–0	–	0x0	–	R	
P1IOEN (P1 Port Enable Register)	15–12	P1IEN[7:4]	0x0	H0	R/W	–
	11–8	–	0x0	–	R	
	7–4	P1OEN[7:4]	0x0	H0	R/W	
	3–0	–	0x0	–	R	
P1RCTL (P1 Port Pull-up/down Control Register)	15–12	P1PDP[7:4]	0x0	H0	R/W	–
	11–8	–	0x0	–	R	
	7–4	P1REN[7:4]	0x0	H0	R/W	
	3–0	–	0x0	–	R	
P1INTF P1INTCTL P1CHATEN	15–0	–	0x0000	–	R	–
P1MODESEL (P1 Port Mode Select Register)	15–8	–	0x00	–	R	–
	7–0	P1SEL[7:0]	0x00	H0	R/W	
P1FNCSEL (P1 Port Function Select Register)	15–14	P17MUX[1:0]	0x0	H0	R/W	–
	13–12	P16MUX[1:0]	0x0	H0	R/W	
	11–10	P15MUX[1:0]	0x0	H0	R/W	
	9–8	P14MUX[1:0]	0x0	H0	R/W	
	7–6	P13MUX[1:0]	0x0	H0	R/W	
	5–4	P12MUX[1:0]	0x0	H0	R/W	
	3–2	P11MUX[1:0]	0x0	H0	R/W	
	1–0	P10MUX[1:0]	0x0	H0	R/W	

Table 6.7.2.2 P1 Port Group Function Assignment

Port name	P1SELY = 0		P1SELY = 1						
	GPIO	P1yMUX = 0x0 (Function 0)		P1yMUX = 0x1 (Function 1)		P1yMUX = 0x2 (Function 2)		P1yMUX = 0x3 (Function 3)	
		Peripheral	Pin	Peripheral	Pin	Peripheral	Pin	Peripheral	Pin
P10	–	SPIA Ch.0	SDI0	I2C	SCL0	–	–	LCD8A	SEG3
P11	–	SPIA Ch.0	SDO0	I2C	SDA0	–	–	LCD8A	SEG4
P12	–	SPIA Ch.0	SPICLK0	AMRC	EXHYS1	–	–	LCD8A	SEG5
P13	–	SPIA Ch.0	#SPISS0	AMRC	EXHYS0	–	–	LCD8A	SEG6
P14	P14	SPIA Ch.0	#SPISS0	–	–	–	–	–	–
P15	P15	–	–	–	–	AMRC	CMPIN_P1	–	–
P16	P16	–	–	–	–	AMRC	CMPIN_N1	–	–
P17	P17	–	–	–	–	AMRC	CMPIN_N0	–	–

6.7.3 P2 Port Group

The P20 and P21 ports in the P2 port group support the GPIO function. Note, however, that no interrupt and chattering functions are implemented in these ports. The P22–P27 ports do not support the GPIO function.

Table 6.7.3.1 Control Registers for P2 Port Group

Register name	Bit	Bit name	Initial	Reset	R/W	Remarks
P2DAT (P2 Port Data Register)	15–10	–	0x00	–	R	–
	9–8	P2OUT[1:0]	0x0	H0	R/W	
	7–2	–	0x00	–	R	
	1–0	P2IN[1:0]	0x0	H0	R	

Register name	Bit	Bit name	Initial	Reset	R/W	Remarks
P2IOEN (P2 Port Enable Register)	15-10	–	0x00	–	R	–
	9-8	P2IEN[1:0]	0x0	H0	R/W	
	7-2	–	0x00	–	R	
	1-0	P2OEN[1:0]	0x0	H0	R/W	
P2RCTL (P2 Port Pull-up/down Control Register)	15-10	–	0x00	–	R	–
	9-8	P2PDP[1:0]	0x0	H0	R/W	
	7-2	–	0x00	–	R	
	1-0	P2REN[1:0]	0x0	H0	R/W	
P2INTF P2INTCTL P2CHATEN	15-0	–	0x0000	–	R	–
P2MODSEL (P2 Port Mode Select Register)	15-8	–	0x00	–	R	–
	7-0	P2SEL[7:0]	0x00	H0	R/W	
P2FNCSEL (P2 Port Function Select Register)	15-14	P27MUX[1:0]	0x3	H0	R	–
	13-12	P26MUX[1:0]	0x3	H0	R	
	11-10	P25MUX[1:0]	0x3	H0	R	
	9-8	P24MUX[1:0]	0x3	H0	R	
	7-6	P23MUX[1:0]	0x3	H0	R	
	5-4	P22MUX[1:0]	0x3	H0	R	
	3-2	P21MUX[1:0]	0x0	H0	R/W	
	1-0	P20MUX[1:0]	0x0	H0	R/W	

Table 6.7.3.2 P2 Port Group Function Assignment

Port name	P2SELY = 0		P2SELY = 1						
	GPIO	P2yMUX = 0x0 (Function 0)		P2yMUX = 0x1 (Function 1)		P2yMUX = 0x2 (Function 2)		P2yMUX = 0x3 (Function 3)	
		Peripheral	Pin	Peripheral	Pin	Peripheral	Pin	Peripheral	Pin
P20	P20	UART Ch.0	USIN0	–	–	AMRC	CMPIN_P0	–	–
P21	P21	UART Ch.0	USOUT0	AMRC	SENSEN	–	–	LCD8A	SEG7
P22	–	–	–	–	–	–	–	LCD8A	SEG8
P23	–	–	–	–	–	–	–	LCD8A	SEG9
P24	–	–	–	–	–	–	–	LCD8A	SEG10
P25	–	–	–	–	–	–	–	LCD8A	SEG11
P26	–	–	–	–	–	–	–	LCD8A	SEG12
P27	–	–	–	–	–	–	–	LCD8A	SEG13

6.7.4 P3 Port Group

The P3 port group does not support the GPIO function. However, the P30 and P31 ports have a chattering filter implemented for the 16-bit timers Ch.2/Ch.3 to use an external clock (EXCL0/EXCL1).

Table 6.7.4.1 Control Registers for P3 Port Group

Register name	Bit	Bit name	Initial	Reset	R/W	Remarks
P3DAT P3IOEN P3RCTL P3INTF P3INTCTL	15-0	–	0x0000	–	R	–
P3CHATEN (P3 Port Chattering Filter Enable Register)	15-8	–	0x00	–	R	–
	7-2	–	0x00	–	R	
	1-0	P3CHATEN[1:0]	0x0	H0	R/W	
P3MODSEL (P3 Port Mode Select Register)	15-8	–	0x00	–	R	–
	7-0	P3SEL[7:0]	0x00	H0	R/W	

6 I/O PORTS (PPORT)

Register name	Bit	Bit name	Initial	Reset	R/W	Remarks
P3FNCSEL (P3 Port Function Select Register)	15–14	P37MUX[1:0]	0x3	H0	R	–
	13–12	P36MUX[1:0]	0x0	H0	R/W	
	11–10	P35MUX[1:0]	0x0	H0	R/W	
	9–8	P34MUX[1:0]	0x0	H0	R/W	
	7–6	P33MUX[1:0]	0x0	H0	R/W	
	5–4	P32MUX[1:0]	0x0	H0	R/W	
	3–2	P31MUX[1:0]	0x0	H0	R/W	
	1–0	P30MUX[1:0]	0x0	H0	R/W	

Table 6.7.4.2 P3 Port Group Function Assignment

Port name	P3SELY = 0		P3SELY = 1						
	GPIO	P3yMUX = 0x0 (Function 0)		P3yMUX = 0x1 (Function 1)		P3yMUX = 0x2 (Function 2)		P3yMUX = 0x3 (Function 3)	
		Peripheral	Pin	Peripheral	Pin	Peripheral	Pin	Peripheral	Pin
P30	–	T16 Ch.2	EXCL0	–	–	–	–	LCD8A	SEG14
P31	–	T16 Ch.3	EXCL1	–	–	–	–	LCD8A	SEG15
P32	–	CLG	FOUT	–	–	–	–	LCD8A	SEG16
P33	–	SPIA Ch.1	SDI1	–	–	–	–	LCD8A	SEG17
P34	–	SPIA Ch.1	SDO1	–	–	–	–	LCD8A	SEG18
P35	–	SPIA Ch.1	SPICLK1	–	–	–	–	LCD8A	SEG19
P36	–	SPIA Ch.1	#SPISS1	–	–	–	–	LCD8A	SEG20
P37	–	–	–	–	–	–	–	LCD8A	SEG21

6.7.5 P4 Port Group

The P4 port group does not support the GPIO function.

Table 6.7.5.1 Control Registers for P4 Port Group

Register name	Bit	Bit name	Initial	Reset	R/W	Remarks
P4DAT P4IOEN P4RCTL P4INTF P4INTCTL P4CHATEN	15–0	–	0x0000	–	R	–
P4MODESEL (P4 Port Mode Select Register)	15–8	–	0x00	–	R	–
	7–0	P4SEL[7:0]	0x00	H0	R/W	
P4FNCSEL (P4 Port Function Select Register)	15–14	P47MUX[1:0]	0x3	H0	R	–
	13–12	P46MUX[1:0]	0x3	H0	R	
	11–10	P45MUX[1:0]	0x3	H0	R	
	9–8	P44MUX[1:0]	0x3	H0	R	
	7–6	P43MUX[1:0]	0x3	H0	R	
	5–4	P42MUX[1:0]	0x3	H0	R	
	3–2	P41MUX[1:0]	0x3	H0	R	
	1–0	P40MUX[1:0]	0x3	H0	R	

Table 6.7.5.2 P4 Port Group Function Assignment

Port name	P4SELY = 0		P4SELY = 1						
	GPIO	P4yMUX = 0x0 (Function 0)		P4yMUX = 0x1 (Function 1)		P4yMUX = 0x2 (Function 2)		P4yMUX = 0x3 (Function 3)	
		Peripheral	Pin	Peripheral	Pin	Peripheral	Pin	Peripheral	Pin
P40	–	–	–	–	–	–	–	LCD8A	SEG22
P41	–	–	–	–	–	–	–	LCD8A	SEG23
P42	–	–	–	–	–	–	–	LCD8A	SEG24
P43	–	–	–	–	–	–	–	LCD8A	SEG25
P44	–	–	–	–	–	–	–	LCD8A	SEG26
P45	–	–	–	–	–	–	–	LCD8A	SEG27
P46	–	–	–	–	–	–	–	LCD8A	SEG28/COM7
P47	–	–	–	–	–	–	–	LCD8A	SEG29/COM6

6.7.6 P5 Port Group

The P56 and P57 ports in the P5 port group support the GPIO and interrupt functions. The P50–P55 ports do not support the GPIO function.

Table 6.7.6.1 Control Registers for P5 Port Group

Register name	Bit	Bit name	Initial	Reset	R/W	Remarks
P5DAT (P5 Port Data Register)	15–14	P5OUT[7:6]	0x0	H0	R/W	–
	13–8	–	0x00	–	R	
	7–6	P5IN[7:6]	x	H0	R	
	5–0	–	0x00	–	R	
P5IOEN (P5 Port Enable Register)	15–14	P5IEN[7:6]	0x0	H0	R/W	–
	13–8	–	0x00	–	R	
	7–6	P5OEN[7:6]	0x0	H0	R/W	
	5–0	–	0x00	–	R	
P5RCTL (P5 Port Pull-up/down Control Register)	15–14	P5DPU[7:6]	0x0	H0	R/W	–
	13–8	–	0x00	–	R	
	7–6	P5REN[7:6]	0x0	H0	R/W	
	5–0	–	0x00	–	R	
P5INTF (P5 Port Interrupt Flag Register)	15–8	–	0x00	–	R	Cleared by writing 1.
	7–6	P5IF[7:6]	0x0	H0	R/W	
	5–0	–	0x00	–	R	
P5INTCTL (P5 Port Interrupt Control Register)	15–14	P5EDGE[7:6]	0x0	H0	R/W	–
	13–8	–	0x00	–	R	
	7–6	P5IE[7:6]	0x0	H0	R/W	
	5–0	–	0x00	–	R	
P5CHATEN (P5 Port Chattering Filter Enable Register)	15–8	–	0x00	–	R	–
	7–6	P5CHATEN[7:6]	0x0	H0	R/W	
	5–0	–	0x00	–	R	
P5MODESEL (P5 Port Mode Select Register)	15–8	–	0x00	–	R	–
	7–0	P5SEL[7:0]	0x00	H0	R/W	
P5FNCSSEL (P5 Port Function Select Register)	15–14	P57MUX[1:0]	0x2	H0	R	–
	13–12	P56MUX[1:0]	0x2	H0	R	
	11–10	P55MUX[1:0]	0x3	H0	R	
	9–8	P54MUX[1:0]	0x3	H0	R	
	7–6	P53MUX[1:0]	0x3	H0	R	
	5–4	P52MUX[1:0]	0x3	H0	R	
	3–2	P51MUX[1:0]	0x3	H0	R	
	1–0	P50MUX[1:0]	0x3	H0	R	

Table 6.7.6.2 P5 Port Group Function Assignment

Port name	P5SELY = 0 GPIO	P5SELY = 1							
		P5yMUX = 0x0 (Function 0)		P5yMUX = 0x1 (Function 1)		P5yMUX = 0x2 (Function 2)		P5yMUX = 0x3 (Function 3)	
		Peripheral	Pin	Peripheral	Pin	Peripheral	Pin	Peripheral	Pin
P50	–	–	–	–	–	–	–	LCD8A	SEG30/COM5
P51	–	–	–	–	–	–	–	LCD8A	SEG31/COM4
P52	–	–	–	–	–	–	–	LCD8A	COM3
P53	–	–	–	–	–	–	–	LCD8A	COM2
P54	–	–	–	–	–	–	–	LCD8A	COM1
P55	–	–	–	–	–	–	–	LCD8A	COM0
P56	P56	–	–	–	–	–	–	–	–
P57	P57	–	–	–	–	–	–	–	–

6.7.7 Pd Port Group

The Pd port group consists of three ports Pd0–Pd2 and they are configured as a debugging function port at initialization. These three ports support the GPIO function. The GPIO function of the Pd2 port supports output only, therefore, the pull-up/down function cannot be used.

Table 6.7.7.1 Control Registers for Pd Port Group

Register name	Bit	Bit name	Initial	Reset	R/W	Remarks
PDDAT (Pd Port Data Register)	15–11	–	0x00	–	R	–
	10–8	PDOOUT[2:0]	0x0	H0	R/W	
	7–2	–	0x00	–	R	
	1–0	PDIN[1:0]	x	H0	R	
PDIOEN (Pd Port Enable Register)	15–11	–	0x00	–	R	–
	10	reserved	0	H0	R/W	
	9–8	PDIEN[1:0]	0x0	H0	R/W	
	7–3	–	0x00	–	R	
	2–0	PDOEN[2:0]	0x0	H0	R/W	
PDRCTL (Pd Port Pull-up/down Control Register)	15–11	–	0x00	–	R	–
	10	reserved	0	H0	R/W	
	9–8	PDPDPU[1:0]	0x0	H0	R/W	
	7–3	–	0x00	–	R	
	2	reserved	0	H0	R/W	
	1–0	PDREN[1:0]	0x0	H0	R/W	
PDINTF PDINTCTL PDCHATEN	15–0	–	0x0000	–	R	–
PDMODESEL (Pd Port Mode Select Register)	15–8	–	0x00	–	R	–
	7–3	–	0x00	–	R	
	2–0	PDSEL[2:0]	0x7	H0	R/W	
PDFNCSEL (Pd Port Function Select Register)	15–8	–	0x00	–	R	–
	7–6	–	0x0	–	R	
	5–4	PD2MUX[1:0]	0x0	H0	R/W	
	3–2	PD1MUX[1:0]	0x0	H0	R/W	
	1–0	PD0MUX[1:0]	0x0	H0	R/W	

Table 6.7.7.2 Pd Port Group Function Assignment

Port name	PdSELY = 0		PdSELY = 1						
	GPIO	PdyMUX = 0x0 (Function 0)		PdyMUX = 0x1 (Function 1)		PdyMUX = 0x2 (Function 2)		PdyMUX = 0x3 (Function 3)	
		Peripheral	Pin	Peripheral	Pin	Peripheral	Pin	Peripheral	Pin
Pd0	Pd0	DBG	DST2	–	–	–	–	–	–
Pd1	Pd1	DBG	DSIO	–	–	–	–	–	–
Pd2	Pd2	DBG	DCLK	–	–	–	–	–	–

6.7.8 Common Registers between Port Groups

Table 6.7.8.1 Control Registers for Common Use with Port Groups

Register name	Bit	Bit name	Initial	Reset	R/W	Remarks
PCLK (P Port Clock Control Register)	15–9	–	0x00	–	R	–
	8	DBRUN	0	H0	R/WP	
	7–4	CLKDIV[3:0]	0x0	H0	R/WP	
	3–2	–	0x0	–	R	
	1–0	CLKSRC[1:0]	0x0	H0	R/WP	
PINTFGRP (P Port Interrupt Flag Group Register)	15–8	–	0x00	–	R	–
	7–6	–	0x0	–	R	
	5	P5INT	0	H0	R	
	4–1	–	0x0	–	R	
	0	P0INT	0	H0	R	

7 Watchdog Timer (WDT)

7.1 Overview

WDT restarts the system if a problem occurs, such as when the program cannot be executed normally.

The features of WDT are listed below.

- Includes a 10-bit up counter to count reset generation cycle.
- A counter clock source and clock division ratio are selectable.
- Counter overflow generates a reset.

Figure 7.1.1 shows the configuration of WDT.

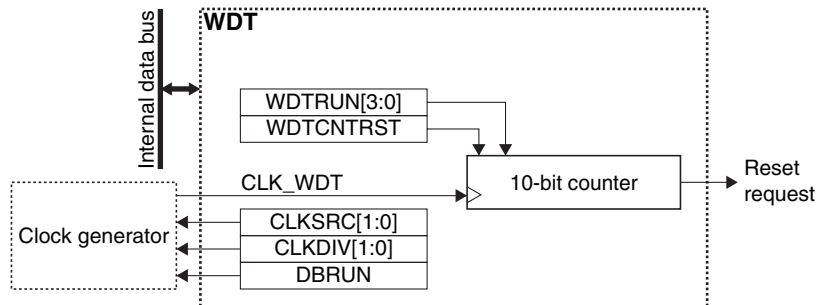


Figure 7.1.1 WDT Configuration

7.2 Clock Settings

7.2.1 WDT Operating Clock

When using WDT, the WDT operating clock CLK_WDT must be supplied to WDT from the clock generator.

The CLK_WDT supply should be controlled as in the procedure shown below.

1. Write 0x0096 to the MSCPROT.PROT[15:0] bits. (Remove system protection)
2. Enable the clock source in the clock generator if it is stopped (refer to “Clock Generator” in the “Power Supply, Reset, and Clocks” chapter).
3. Set the following WDTCLK register bits:

WDTCLK.CLKSRC[1:0] bits	(Clock source selection)
WDTCLK.CLKDIV[1:0] bits	(Clock division ratio selection = Clock frequency setting)
4. Write a value other than 0x0096 to the MSCPROT.PROT[15:0] bits. (Set system protection)

Use the following equation to calculate the WDT counter overflow cycle (reset generation cycle).

$$t_{\text{WDT}} = \frac{1,024}{\text{CLK_WDT}} \quad (\text{Eq. 7.1})$$

Where

t_{WDT}: Counter overflow cycle [second]
 CLK_WDT: WDT operating clock frequency [Hz]

Example) t_{WDT} = 4 seconds when CLK_WDT = 256 Hz

7.2.2 Clock Supply in DEBUG Mode

The CLK_WDT supply during DEBUG mode should be controlled using the WDTCLK.DBRUN bit.

The CLK_WDT supply to WDT is suspended when the CPU enters DEBUG mode if the WDTCLK.DBRUN bit = 0. After the CPU returns to normal mode, the CLK_WDT supply resumes. Although WDT stops operating when the CLK_WDT supply is suspended, the register retains the status before DEBUG mode was entered.

If the WDTCLK.DBRUN bit = 1, the CLK_WDT supply is not suspended and WDT will keep operating in DEBUG mode.

7.3 Operations

7.3.1 WDT Control

Starting up WDT

WDT should be initialized and started up with the procedure listed below.

1. Write 0x0096 to the MSCPROT.PROT[15:0] bits. (Remove system protection)
2. Configure the WDT operating clock.
3. Write 1 to the WDTCTL.WDTCNTRST bit. (Reset WDT counter)
4. Write a value other than 0xa to the WDTCTL.WDTRUN[3:0] bits. (Start up WDT)
5. Write a value other than 0x0096 to the MSCPROT.PROT[15:0] bits. (Set system protection)

Resetting WDT

WDT generates a system reset when the counter overflows. To avert system restart by WDT, its embedded counter must be reset periodically via software while WDT is running.

1. Write 0x0096 to the MSCPROT.PROT[15:0] bits. (Remove system protection)
2. Write 1 to the WDTCTL.WDTCNTRST bit. (Reset WDT counter)
3. Write a value other than 0x0096 to the MSCPROT.PROT[15:0] bits. (Set system protection)

A location should be provided for periodically processing this routine. Process this routine within the twdt cycle. After resetting, WDT starts counting with a new reset generation cycle.

If WDT is not reset within the twdt cycle for any reason, a system reset is generated.

7.3.2 Operations in HALT and SLEEP Modes

During HALT mode

WDT operates in HALT mode. HALT mode is therefore cleared by a reset if it continues for more than the reset generation cycle and the reset handler is executed. To disable WDT in HALT mode, stop WDT by writing 0xa to the WDTCTL.WDTRUN[3:0] bits before executing the halt instruction. Reset WDT before resuming operations after HALT mode is cleared.

During SLEEP mode

WDT operates in SLEEP mode if the selected clock source is running. In this case SLEEP mode is cleared by a reset if it continues for more than the reset generation cycle and the reset handler is executed. Therefore, stop WDT by setting the WDTCTL.WDTRUN[3:0] bits before executing the slp instruction.

If the clock source stops in SLEEP mode, WDT stops. To prevent generation of an unnecessary reset after clearing SLEEP mode, reset WDT before executing the slp instruction. WDT should also be stopped as required using the WDTCTL.WDTRUN[3:0] bits.

7.4 Control Registers

WDT Clock Control Register

Register name	Bit	Bit name	Initial	Reset	R/W	Remarks
WDTCLK	15–9	–	0x00	–	R	–
	8	DBRUN	0	H0	R/WP	
	7–6	–	0x0	–	R	
	5–4	CLKDIV[1:0]	0x0	H0	R/WP	
	3–2	–	0x0	–	R	
	1–0	CLKSRC[1:0]	0x0	H0	R/WP	

Bits 15–9 Reserved

Bit 8 DBRUN

This bit sets whether the WDT operating clock is supplied in DEBUG mode or not.

1 (R/WP): Clock supplied in DEBUG mode

0 (R/WP): No clock supplied in DEBUG mode

Bits 7–6 Reserved

Bits 5–4 CLKDIV[1:0]

These bits select the division ratio of the WDT operating clock (counter clock). The clock frequency should be set to around 256 Hz.

Bits 3–2 Reserved

Bits 1–0 CLKSRC[1:0]

These bits select the clock source of WDT.

Table 7.4.1 Clock Source and Division Ratio Settings

WDTCLK. CLKDIV[1:0] bits	WDTCLK.CLKSRC[1:0] bits			
	0x0	0x1	0x2	0x3
	IOSC	OSC1	OSC3	EXOSC
0x3	1/65,536	1/128	1/65,536	1/1
0x2	1/32,768		1/32,768	
0x1	1/16,384		1/16,384	
0x0	1/8,192		1/8,192	

(Note) The oscillation circuits/external input that are not supported in this IC cannot be selected as the clock source.

WDT Control Register

Register name	Bit	Bit name	Initial	Reset	R/W	Remarks
WDTCTL	15–8	–	0x00	–	R	–
	7–5	–	0x0	–	R	
	4	WDTCTRST	0	H0	WP	Always read as 0.
	3–0	WDTRUN[3:0]	0xa	H0	R/WP	–

Bits 15–5 Reserved

Bit 4 WDTCTRST

This bit resets WDT.

1 (WP): Reset

0 (WP): Ignored

0 (R): Always 0 when being read

7 WATCHDOG TIMER (WDT)

Bits 3–0 **WDTRUN[3:0]**

These bits control WDT to run and stop.

0xa (WP): Stop

Values other than 0xa (WP): Run

0xa (R): Idle

0x0 (R): Running

Always 0x0 is read if a value other than 0xa is written.

Since a reset may be generated immediately after running depending on the counter value, WDT should also be reset concurrently when running WDT.

8 Real-Time Clock (RTCA)

8.1 Overview

RTCA is a real-time clock with a perpetual calendar function. The main features of RTCA are outlined below.

- Includes a BCD real-time clock counter to implement a time-of-day clock (second, minute, and hour) and calendar (day, day of the week, month, and year with leap year supported).
- Provides a hold function for reading correct counter values by suspending the real-time clock counter operation.
- 24-hour or 12-hour mode is selectable.
- Capable of controlling the starting and stopping of the time-of-day clock.
- Provides a 30-second correction function to adjust time using a time signal.
- Includes a 1 Hz counter to count 128 to 1 Hz.
- Includes a BCD stopwatch counter with 1/100-second counting supported.
- Provides a theoretical regulation function to correct clock error due to frequency tolerance with no external parts required.

Figure 8.1.1 shows the configuration of RTCA.

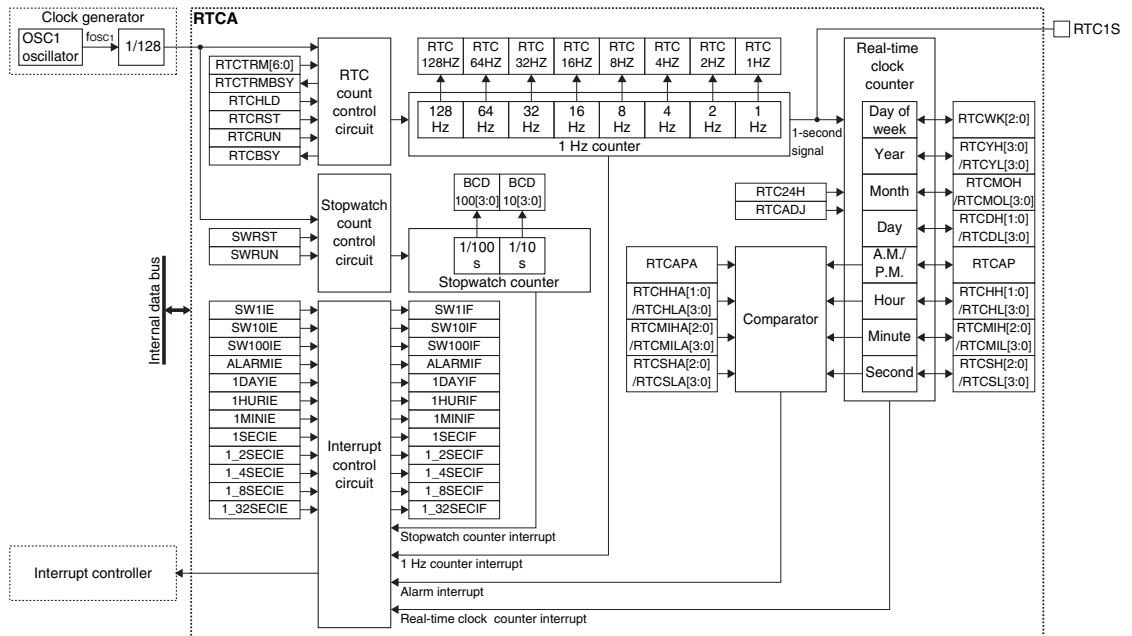


Figure 8.1.1 RTCA Configuration

8.2 Output Pin and External Connection

8.2.1 Output Pin

Table 8.2.1.1 shows the RTCA pin.

Table 8.2.1.1 RTCA Pin

Pin name	I/O*	Initial status*	Function
RTC1S	O	O (L)	1-second signal monitor output pin

* Indicates the status when the pin is configured for RTCA.

If the port is shared with the RTCA output function and other functions, the RTCA function must be assigned to the port. For more information, refer to the “I/O Ports” chapter.

8.3 Clock Settings

8.3.1 RTCA Operating Clock

RTCA uses CLK_RTCA, which is generated by the clock generator from OSC1 as the clock source, as its operating clock. RTCA is operable when OSC1 is enabled.

To continue the RTCA operation during SLEEP mode with OSC1 being activated, the CLGOSC.OSC1SLPC bit must be set to 0.

8.3.2 Theoretical Regulation Function

The time-of-day clock loses accuracy if the OSC1 frequency fosc1 has a frequency tolerance from 32.768 kHz. To correct this error without changing any external part, RTCA provides a theoretical regulation function. Follow the procedure below to perform theoretical regulation.

1. Measure fosc1 and calculate the frequency tolerance correction value
 “m [ppm] = -{(fosc1 - 32,768 [Hz]) / 32,768 [Hz]} × 10⁶.”
2. Determine the theoretical regulation execution cycle time “n seconds.”
3. Determine the value to be written to the RTCCTL.RTCTRM[6:0] bits from the results in Steps 1 and 2.
4. Write the value determined in Step 3 to the RTCCTL.RTCTRM[6:0] bits periodically in n-second cycles using an RTCA alarm or second interrupt.
5. Monitor the RTC1S signal to check that every n-second cycle has no error included.

The correction value for theoretical regulation can be specified within the range from -64 to +63 and it should be written to the RTCCTL.RTCTRM[6:0] bits as a two’s-complement number. Use Eq. 8.1 to calculate the correction value.

$$RTCTRM[6:0] = \frac{m}{10^6} \times 256 \times n \quad (\text{However, RTCTRM[6:0] is an integer after rounding off to -64 to +63.}) \quad (\text{Eq. 8.1})$$

Where

- n: Theoretical regulation execution cycle time [second] (time interval to write the correct value to the RTCCTL.RTCTRM[6:0] bits periodically via software)
- m: OSC1 frequency tolerance correction value [ppm]

Figure 8.3.2.1 shows the RTC1S signal waveform.

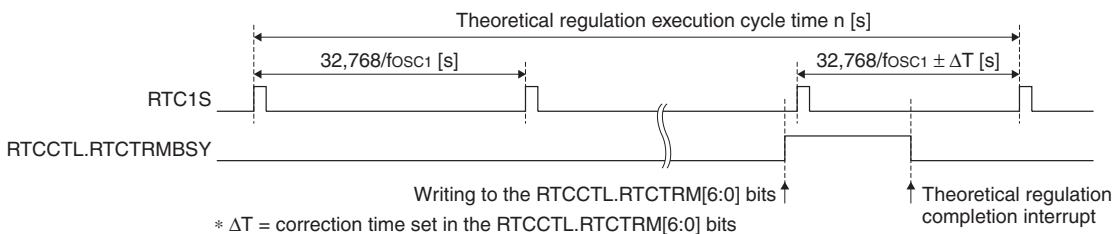


Figure 8.3.2.1 RTC1S Signal Waveform

Table 8.3.2.1 lists the frequency tolerance correction rates when the theoretical regulation execution cycle time n is 4,096 seconds as an example.

Table 8.3.2.1 Correction Rates when Theoretical Regulation Execution Cycle Time n = 4,096 Seconds

RTCCTL.RTCTRM[6:0] bits (two's-complement)	Correction value (decimal)	Correction rate [ppm]	RTCCTL.RTCTRM[6:0] bits (two's-complement)	Correction value (decimal)	Correction rate [ppm]
0x00	0	0.0	0x40	-64	-61.0
0x01	1	1.0	0x41	-63	-60.1
0x02	2	1.9	0x42	-62	-59.1
0x03	3	2.9	0x43	-61	-58.2
...
0x3e	62	59.1	0x7e	-2	-1.9
0x3f	63	60.1	0x7f	-1	-1.0

Minimum resolution: 1 ppm, Correction rate range: -61.0 to 60.1 ppm

- Notes:**
- The theoretical regulation affects only the real-time clock counter and 1 Hz counter. It does not affect the stopwatch counter.
 - After a value is written to the RTCCTL.RTCTRM[6:0] bits, the theoretical regulation correction takes effect on the 1 Hz counter value at the same timing as when the 1 Hz counter changes to 0x7f. Also an interrupt occurs depending on the counter value at this time.

8.4 Operations

8.4.1 RTCA Control

Follow the sequences shown below to set time to RTCA, to read the current time and to set alarm.

Time setting

1. Set RTCA to 12H or 24H mode using the RTCCTL.RTC24H bit.
2. Write 1 to the RTCCTL.RTCRUN bit to enable for the real-time clock counter to start counting up.
3. Check to see if the RTCCTL.RTCBSY bit = 0 that indicates the counter is ready to rewrite. If the RTCCTL.RTCBSY bit = 1, wait until it is set to 0.
4. Write the current date and time in BCD code to the control bits listed below.
 - RTCSEC.RTCSH[2:0]/RTCSL[3:0] bits (second)
 - RTCHUR.RTCMIH[2:0]/RTCMIL[3:0] bits (minute)
 - RTCHUR.RTCHH[1:0]/RTCHL[3:0] bits (hour)
 - RTCHUR.RTCAP bit (AM/PM) (effective when RTCCTL.RTC24H bit = 0)
 - RTCMON.RTCDH[1:0]/RTCDL[3:0] bits (day)
 - RTCMON.RTCMOH/RTCMOL[3:0] bits (month)
 - RTCYAR.RTCYH[3:0]/RTCYL[3:0] bits (year)
 - RTCYAR.RTCWK[2:0] bits (day of the week)
5. Write 1 to the RTCCTL.RTCADJ bit (execute 30-second correction) using a time signal to adjust the time. (For more information on the 30-second correction, refer to “Real-Time Clock Counter Operations.”)
6. Write 1 to the real-time clock counter interrupt flags in the RTCINTF register to clear them.
7. Write 1 to the interrupt enable bits in the RTCINTE register to enable real-time clock counter interrupts.

Time read

1. Check to see if the RTCCTL.RTCBSY bit = 0. If the RTCCTL.RTCBSY bit = 1, wait until it is set to 0.
2. Write 1 to the RTCCTL.RTCHLD bit to suspend count-up operation of the real-time clock counter.
3. Read the date and time from the control bits listed in “Time setting, Step 4” above.
4. Write 0 to the RTCCTL.RTCHLD bit to resume count-up operation of the real-time clock counter. If a second count-up timing has occurred in the count hold state, the hardware corrects the second counter for +1 second (for more information on the +1 second correction, refer to “Real-Time Clock Counter Operations”).

Alarm setting

1. Write 0 to the RTCINTE.ALARMIE bit to disable alarm interrupts.
2. Write the alarm time in BCD code to the control bits listed below (a time within 24 hours from the current time can be specified).
 - RTCALM1.RTCSHA[2:0]/RTCSLA[3:0] bits (second)
 - RTCALM2.RTCMIHA[2:0]/RTCMILA[3:0] bits (minute)
 - RTCALM2.RTCHHA[1:0]/RTCHLA[3:0] bits (hour)
 - RTCALM2.RTCAPA bit (AM/PM) (effective when RTCCTL.RTC24H bit = 0)
3. Write 1 to the RTCINTF.ALARMIF bit to clear the alarm interrupt flag.
4. Write 1 to the RTCINTE.ALARMIE bit to enable alarm interrupts.

When the real-time clock counter reaches the alarm time set in Step 2, an alarm interrupt occurs.

8.4.2 Real-Time Clock Counter Operations

The real-time clock counter consists of second, minute, hour, AM/PM, day, month, year, and day of the week counters and it performs counting up using the RTC1S signal. It has the following functions as well.

Recognizing leap years

The leap year recognizing algorithm used in RTCA is effective only for Christian Era years. Years within 0 to 99 that can be divided by four without a remainder are recognized as leap years. If the year counter = 0x00, RTCA assumes it as a common year. If a leap year is recognized, the count range of the day counter changes when the month counter is set to February.

Corrective operation when a value out of the effective range is set

When a value out of the effective range is set to the year, day of the week, or hour (in 24H mode) counter, the counter will be cleared to 0 at the next count-up timing. When a such value is set to the month, day, or hour (in 12H mode) counter, the counter will be set to 1 at the next count-up timing.

Note: Do not set the RTCMON.RTCMOL[3:0] bits to 0x0 if the RTCMON.RTCMOH bit = 0.

30-second correction

This function is provided to set the time-of-day clock by the time signal. Writing 1 to the RTCCTL.RTCADJ bit clears the second counter and adds 1 to the minute counter if the second counter represents 30 to 59 seconds, or clears the second counter with the minute counter left unchanged if the second counter represents 0 to 29 seconds.

+1 second correction

If a second count-up timing occurred while the RTCCTL.RTCHLD bit = 1 (count hold state), the real-time clock counter counts up by +1 second (performs +1 second correction) after the counting has resumed by writing 0 to the RTCCTL.RTCHLD bit.

Note: If two or more second count-up timings occurred while the RTCCTL.RTCHLD bit = 1, the counter is always corrected for +1 second only.

8.4.3 Stopwatch Control

Follow the sequences shown below to start counting of the stopwatch and to read the counter.

Count start

1. Write 1 to the RTCSWCTL.SWRST bit to reset the stopwatch counter.
2. Write 1 to the stopwatch interrupt flags in the RTCINTF register to clear them.
3. Write 1 to the interrupt enable bits in the RTCINTE register to enable stopwatch interrupts.
4. Write 1 to the RTCSWCTL.SWRUN bit to start stopwatch count up operation.

Counter read

1. Read the count value from the RTCSWCTL.BCD10[3:0] and BCD100[3:0] bits.
2. Read again.
 - i. If the two read values are the same, assume that the count values are read correctly.
 - ii. If different values are read, perform reading once more and compare the read value with the previous one.

8.4.4 Stopwatch Count-up Pattern

The stopwatch consists of 1/100-second and 1/10-second counters and these counters perform counting up in increments of approximate 1/100 and 1/10 seconds with the count-up patterns shown in Figure 8.4.4.1.

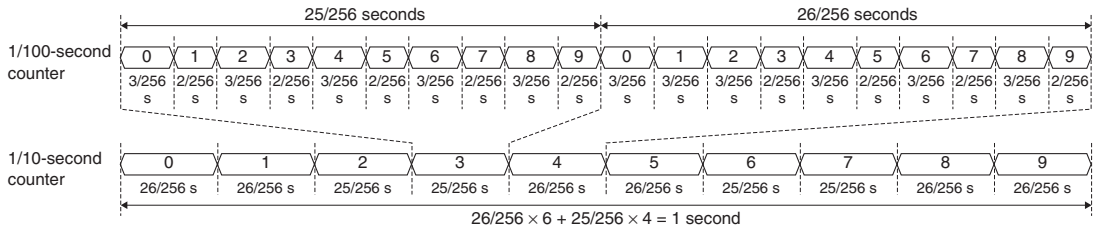


Figure 8.4.4.1 Stopwatch Count-Up Patterns

8.5 Interrupts

RTCA has a function to generate the interrupts shown in Table 8.5.1.

Table 8.5.1 RTCA Interrupt Function

Interrupt	Interrupt flag	Set condition	Clear condition
Alarm	RTCINTF.ALARMIF	Matching between the RTCALM1–2 register contents and the real-time clock counter contents	Writing 1
1-day	RTCINTF.1DAYIF	Day counter count up	Writing 1
1-hour	RTCINTF.1HURIF	Hour counter count up	Writing 1
1-minute	RTCINTF.1MINIF	Minute counter count up	Writing 1
1-second	RTCINTF.1SECIF	Second counter count up	Writing 1
1/2-second	RTCINTF.1_2SECIF	See Figure 8.5.1.	Writing 1
1/4-second	RTCINTF.1_4SECIF	See Figure 8.5.1.	Writing 1
1/8-second	RTCINTF.1_8SECIF	See Figure 8.5.1.	Writing 1
1/32-second	RTCINTF.1_32SECIF	See Figure 8.5.1.	Writing 1
Stopwatch 1 Hz	RTCINTF.SW1IF	1/10-second counter overflow	Writing 1
Stopwatch 10 Hz	RTCINTF.SW10IF	1/10-second counter count up	Writing 1
Stopwatch 100 Hz	RTCINTF.SW100IF	1/100-second counter count up	Writing 1
Theoretical regulation completion	RTCINTF.RTCTRMIF	At the end of theoretical regulation operation	Writing 1

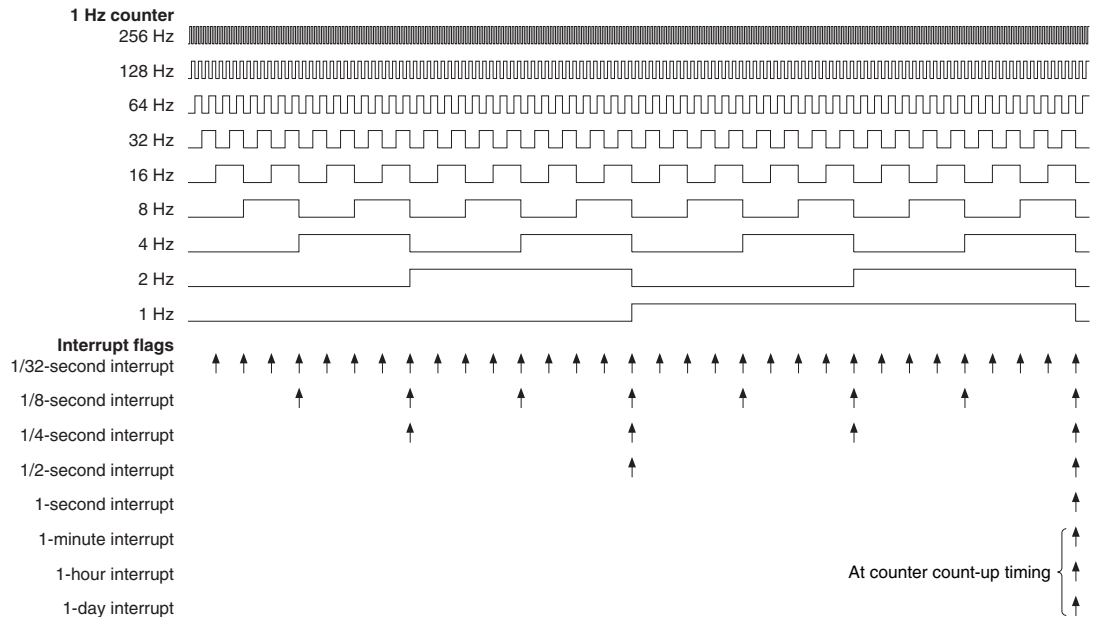


Figure 8.5.1 RTCA Interrupt Timings

- Notes:**
- 1-second to 1/32-second interrupts occur after a lapse of 1/256 second from change of the 1 Hz counter value.
 - An alarm interrupt occurs after a lapse of 1/256 second from matching between the AM/PM (in 12H mode), hour, minute, and second counter value and the alarm setting value.

RTCA provides interrupt enable bits corresponding to each interrupt flag. An interrupt request is sent to the interrupt controller only when the interrupt flag, of which interrupt has been enabled by the interrupt enable bit, is set. For more information on interrupt control, refer to the “Interrupt Controller” chapter.

8.6 Control Registers

RTC Control Register

Register name	Bit	Bit name	Initial	Reset	R/W	Remarks
RTCCTL	15	RTCTRMBSY	0	H0	R	–
	14–8	RTCTRM[6:0]	0x00	H0	W	Read as 0x00.
	7	–	0	–	R	–
	6	RTCBSY	0	H0	R	–
	5	RTCHLD	0	H0	R/W	Cleared by setting the RTCCTL.RTCRST bit to 1.
	4	RTC24H	0	H0	R/W	–
	3	–	0	–	R	–
	2	RTCADJ	0	H0	R/W	Cleared by setting the RTCCTL.RTCRST bit to 1.
	1	RTCST	0	H0	R/W	–
0	RTCUN	0	H0	R/W	–	

Bit 15 RTCTRMBSY

This bit indicates whether the theoretical regulation is currently executed or not.

1 (R): Theoretical regulation is executing.

0 (R): Theoretical regulation has finished (or not executed).

This bit goes 1 when a value is written to the RTCCTL.RTCTRM[6:0] bits. The theoretical regulation takes up to 1 second for execution. This bit reverts to 0 automatically after the theoretical regulation has finished execution.

Bits 14–8 RTCTRM[6:0]

Write the correction value for adjusting the 1 Hz frequency to these bits to execute theoretical regulation. For a calculation method of correction value, refer to “Theoretical Regulation Function.”

- Notes:**
- When the RTCCTL.RTCTRMBSY bit = 1, the RTCCTL.RTCTRM[6:0] bits cannot be rewritten.
 - Writing 0x00 to the RTCCTL.RTCTRM[6:0] bits sets the RTCCTL.RTCTRMBSY bit to 1 as well. However, no correcting operation is performed.

Bit 7 Reserved

Bit 6 RTCBSY

This bit indicates whether the counter is performing count-up operation or not.

1 (R): In count-up operation

0 (R): Idle (ready to rewrite real-time clock counter)

This bit goes 1 when performing 1-second count-up, +1 second correction, or 30-second correction. It retains 1 for 1/256 second and then reverts to 0.

Bit 5 RTCHLD

This bit halts the count-up operation of the real-time clock counter.

1 (R/W): Halt real-time clock counter count-up operation

0 (R/W): Normal operation

Writing 1 to this bit halts the count-up operation of the real-time clock counter, this makes it possible to read the counter value correctly without changing the counter. Write 0 to this bit to resume count-up operation immediately after the counter has been read. Depending on these operation timings, the +1 second correction may be executed after the count-up operation resumes. For more information on the +1 second correction, refer to “Real-Time Clock Counter Operations.”

Note: When the RTCCTL.RTCTRMBYSY bit = 1, the RTCCTL.RTCHLD bit cannot be rewritten to 1 (as fixed at 0).

Bit 4 RTC24H

This bit sets the hour counter to 24H mode or 12H mode.

1 (R/W): 24H mode

0 (R/W): 12H mode

This selection changes the count range of the hour counter. Note, however, that the counter value is not updated automatically, therefore, it must be programmed again.

Note: Be sure to avoid writing to this bit when the RTCCTL.RTCRUN bit = 1.

Bit 3 Reserved

Bit 2 RTCADJ

This bit executes the 30-second correction time adjustment function.

1 (W): Execute 30-second correction

0 (W): Ineffective

1 (R): 30-second correction is executing.

0 (R): 30-second correction has finished. (Normal operation)

Writing 1 to this bit executes 30-second correction and an enabled interrupt occurs even if the RTCCTL.RTCRUN bit = 0. The correction takes up to 2/256 seconds. The RTCCTL.RTCADJ bit is automatically cleared to 0 when the correction has finished. For more information on the 30-second correction, refer to “Real-Time Clock Counter Operations.”

Notes: • Be sure to avoid writing to this bit when the RTCCTL.RTCBSY bit = 1.

• Do not write 1 to this bit again while the RTCCTL.RTCADJ bit = 1.

Bit 1 RTCRST

This bit resets the 1 Hz counter, the RTCCTL.RTCADJ bit, and the RTCCTL.RTCHLD bit.

1 (W): Reset

0 (W): Ineffective

1 (R): Reset is being executed.

0 (R): Reset has finished. (Normal operation)

This bit is automatically cleared to 0 after reset has finished.

Bit 0 RTCRUN

This bit starts/stops the real-time clock counter.

1 (R/W): Running/start control

0 (R/W): Idle/stop control

When the real-time clock counter stops counting by writing 0 to this bit, the counter retains the value when it stopped. Writing 1 to this bit again resumes counting from the value retained.

RTC Second Alarm Register

Register name	Bit	Bit name	Initial	Reset	R/W	Remarks
RTCALM1	15	–	0	–	R	–
	14–12	RTCSHA[2:0]	0x0	H0	R/W	
	11–8	RTCSLA[3:0]	0x0	H0	R/W	
	7–0	–	0x00	–	R	

Bit 15 Reserved

Bits 14–12 RTCSHA[2:0]

Bits 11–8 RTCSLA[3:0]

The RTCALM1.RTCSHA[2:0] bits and the RTCALM1.RTCSLA[3:0] bits set the 10-second digit and 1-second digit of the alarm time, respectively. A value within 0 to 59 seconds can be set in BCD code as shown in Table 8.6.1.

Table 8.6.1 Setting Examples in BCD Code

Setting value in BCD code		Alarm (second) setting
RTCALM1.RTCSHA[2:0] bits	RTCALM1.RTCSLA[3:0] bits	
0x0	0x0	00 seconds
0x0	0x1	01 second
...
0x0	0x9	09 seconds
0x1	0x0	10 seconds
...
0x5	0x9	59 seconds

Bits 7–0 Reserved

RTC Hour/Minute Alarm Register

Register name	Bit	Bit name	Initial	Reset	R/W	Remarks
RTCALM2	15	–	0	–	R	–
	14	RTCAPA	0	H0	R/W	
	13–12	RTCHHA[1:0]	0x0	H0	R/W	
	11–8	RTCHLA[3:0]	0x0	H0	R/W	
	7	–	0	–	R	
	6–4	RTCMIHA[2:0]	0x0	H0	R/W	
	3–0	RTCMILA[3:0]	0x0	H0	R/W	

Bit 15 Reserved

Bit 14 **RTCAPA**

This bit sets A.M. or P.M. of the alarm time in 12H mode (RTCCTL.RTC24H bit = 0).

1 (R/W): P.M.

0 (R/W): A.M.

This setting is ineffective in 24H mode (RTCCTL.RTC24H bit = 1).

Bits 13–12 **RTCHHA[1:0]**

Bits 11–8 **RTCHLA[3:0]**

The RTCALM2.RTCHHA[1:0] bits and the RTCALM2.RTCHLA[3:0] bits set the 10-hour digit and 1-hour digit of the alarm time, respectively. A value within 1 to 12 o'clock in 12H mode or 0 to 23 in 24H mode can be set in BCD code.

Bit 7 Reserved

Bits 6–4 **RTCMIHA[2:0]**

Bits 3–0 **RTCMILA[3:0]**

The RTCALM2.RTCMIHA[2:0] bits and the RTCALM2.RTCMILA[3:0] bits set the 10-minute digit and 1-minute digit of the alarm time, respectively. A value within 0 to 59 minutes can be set in BCD code.

RTC Stopwatch Control Register

Register name	Bit	Bit name	Initial	Reset	R/W	Remarks
RTCSWCTL	15–12	BCD10[3:0]	0x0	H0	R	–
	11–8	BCD100[3:0]	0x0	H0	R	
	7–5	–	0x0	–	R	
	4	SWRST	0	H0	W	Read as 0.
	3–1	–	0x0	–	R	–
	0	SWRUN	0	H0	R/W	

Bits 15–12 **BCD10[3:0]**

Bits 11–8 **BCD100[3:0]**

The 1/10-second and 1/100-second digits of the stopwatch counter can be read as a BCD code from the RTCSWCTL.BCD10[3:0] bits and the RTCSWCTL.BCD100[3:0] bits, respectively.

Note: The counter value may not be read correctly while the stopwatch counter is running. The RTCSWCTL.BCD10[3:0]/BCD100[3:0] bits must be read twice and assume the counter value was read successfully if the two read results are the same.

Bits 7–5 Reserved

Bit 4 SWRST

This bit resets the stopwatch counter to 0x00.

1 (W): Reset

0 (W): Ineffective

0 (R): Always 0 when being read

When the stopwatch counter in running status is reset, it continues counting from count 0x00. The stopwatch counter retains 0x00 if it is reset in idle status.

Bits 3–1 Reserved

Bit 0 SWRUN

This bit starts/stops the stopwatch counter.

1 (R/W): Running/start control

0 (R/W): Idle/stop control

When the stopwatch counter stops counting by writing 0 to this bit, the counter retains the value when it stopped. Writing 1 to this bit again resumes counting from the value retained.

Note: The stopwatch counter stops in sync with the stopwatch clock after 0 is written to the RTCSWCTL.SWRUN bit. Therefore, the counter value may be incremented (+1) from the value at writing 0.

RTC Second/1Hz Register

Register name	Bit	Bit name	Initial	Reset	R/W	Remarks
RTCSEC	15	–	0	–	R	Cleared by setting the RTCCTL.RTCRST bit to 1.
	14–12	RTCSH[2:0]	0x0	H0	R/W	
	11–8	RTCSL[3:0]	0x0	H0	R/W	
	7	RTC1HZ	0	H0	R	
	6	RTC2HZ	0	H0	R	
	5	RTC4HZ	0	H0	R	
	4	RTC8HZ	0	H0	R	
	3	RTC16HZ	0	H0	R	
	2	RTC32HZ	0	H0	R	
	1	RTC64HZ	0	H0	R	
0	RTC128HZ	0	H0	R		

Bit 15 Reserved

Bits 14–12 RTCSH[2:0]

Bits 11–8 RTCSL[3:0]

The RTCSEC.RTCSH[2:0] bits and the RTCSEC.RTCSL[3:0] bits are used to set and read the 10-second digit and the 1-second digit of the second counter, respectively. The setting/read values are a BCD code within the range from 0 to 59.

Note: Be sure to avoid writing to the RTCSEC.RTCSH[2:0]/RTCSL[3:0] bits while the RTCCTL.RTCBSY bit = 1.

Bit 7	RTC1HZ
Bit 6	RTC2HZ
Bit 5	RTC4HZ
Bit 4	RTC8HZ
Bit 3	RTC16HZ
Bit 2	RTC32HZ
Bit 1	RTC64HZ
Bit 0	RTC128HZ

1 Hz counter data can be read from these bits.

The following shows the correspondence between the bit and frequency:

RTCSEC.RTC1HZ bit:	1 Hz
RTCSEC.RTC2HZ bit:	2 Hz
RTCSEC.RTC4HZ bit:	4 Hz
RTCSEC.RTC8HZ bit:	8 Hz
RTCSEC.RTC16HZ bit:	16 Hz
RTCSEC.RTC32HZ bit:	32 Hz
RTCSEC.RTC64HZ bit:	64 Hz
RTCSEC.RTC128HZ bit:	128 Hz

Note: The counter value may not be read correctly while the 1 Hz counter is running. These bits must be read twice and assume the counter value was read successfully if the two read results are the same.

RTC Hour/Minute Register

Register name	Bit	Bit name	Initial	Reset	R/W	Remarks
RTCHUR	15	–	0	–	R	–
	14	RTCAP	0	H0	R/W	
	13–12	RTCHH[1:0]	0x1	H0	R/W	
	11–8	RTCHL[3:0]	0x2	H0	R/W	
	7	–	0	–	R	
	6–4	RTCMIH[2:0]	0x0	H0	R/W	
	3–0	RTCMIL[3:0]	0x0	H0	R/W	

Bit 15 **Reserved**

Bit 14 **RTCAP**

This bit is used to set and read A.M. or P.M. data in 12H mode (RTCCTL.RTC24H bit = 0).

1 (R/W): P.M.

0 (R/W): A.M.

In 24H mode (RTCCTL.RTC24H bit = 1), this bit is fixed at 0 and writing 1 is ignored. However, if the RTCHUR.RTCAP bit = 1 when changed to 24H mode, it goes 0 at the next count-up timing of the hour counter.

Bits 13–12 **RTCHH[1:0]**

Bits 11–8 **RTCHL[3:0]**

The RTCHUR.RTCHH[1:0] bits and the RTCHUR.RTCHL[3:0] bits are used to set and read the 10-hour digit and the 1-hour digit of the hour counter, respectively. The setting/read values are a BCD code within the range from 1 to 12 in 12H mode or 0 to 23 in 24H mode.

Note: Be sure to avoid writing to the RTCHUR.RTCHH[1:0]/RTCHL[3:0] bits while the RTCCTL.RTCBSY bit = 1.

Bit 7 **Reserved**

Bits 6–4 RTCMIH[2:0]**Bits 3–0 RTCMIL[3:0]**

The RTCHUR.RTCMIH[2:0] bits and the RTCHUR.RTCMIL[3:0] bits are used to set and read the 10-minute digit and the 1-minute digit of the minute counter, respectively. The setting/read values are a BCD code within the range from 0 to 59.

Note: Be sure to avoid writing to the RTCHUR.RTCMIH[2:0]/RTCMIL[3:0] bits while the RTCCTL.RTCBSY bit = 1.

RTC Month/Day Register

Register name	Bit	Bit name	Initial	Reset	R/W	Remarks
RTCMON	15–13	–	0x0	–	R	–
	12	RTCMOH	0	H0	R/W	
	11–8	RTCMOL[3:0]	0x1	H0	R/W	
	7–6	–	0x0	–	R	
	5–4	RTCDH[1:0]	0x0	H0	R/W	
	3–0	RTCDL[3:0]	0x1	H0	R/W	

Bits 15–13 Reserved**Bit 12 RTCMOH****Bits 11–8 RTCMOL[3:0]**

The RTCMON.RTCMOH bit and the RTCMON.RTCMOL[3:0] bits are used to set and read the 10-month digit and the 1-month digit of the month counter, respectively. The setting/read values are a BCD code within the range from 1 to 12.

Notes: • Be sure to avoid writing to the RTCMON.RTCMOH/RTCMOL[3:0] bits while the RTCCTL.RTCBSY bit = 1.

• Be sure to avoid setting the RTCMON.RTCMOH/RTCMOL[3:0] bits to 0x00.

Bits 7–6 Reserved**Bits 5–4 RTCDH[1:0]****Bits 3–0 RTCDL[3:0]**

The RTCMON.RTCDH[1:0] bits and the RTCMON.RTCDL[3:0] bits are used to set and read the 10-day digit and the 1-day digit of the day counter, respectively. The setting/read values are a BCD code within the range from 1 to 31 (to 28 for February in a common year, to 29 for February in a leap year, or to 30 for April/June/September/November).

Note: Be sure to avoid writing to the RTCMON.RTCDH[1:0]/RTCDL[3:0] bits while the RTCCTL.RTCBSY bit = 1.

RTC Year/Week Register

Register name	Bit	Bit name	Initial	Reset	R/W	Remarks
RTCYAR	15–11	–	0x00	–	R	–
	10–8	RTCWK[2:0]	0x0	H0	R/W	
	7–4	RTCYH[3:0]	0x0	H0	R/W	
	3–0	RTCYL[3:0]	0x0	H0	R/W	

Bits 15–11 Reserved**Bits 10–8 RTCWK[2:0]**

These bits are used to set and read day of the week.

The day of the week counter is a base-7 counter and the setting/read values are 0x0 to 0x6. Table 8.6.2 lists the correspondence between the count value and day of the week.

8 REAL-TIME CLOCK (RTCA)

Table 8.6.2 Correspondence between the count value and day of the week

RTCYAR.RTCWK[2:0] bits	Day of the week
0x6	Saturday
0x5	Friday
0x4	Thursday
0x3	Wednesday
0x2	Tuesday
0x1	Monday
0x0	Sunday

Note: Be sure to avoid writing to the RTCYAR.RTCWK[2:0] bits while the RTCCTL.RTCBSY bit = 1.

Bits 7–4 **RTCYH[3:0]**

Bits 3–0 **RTCYL[3:0]**

The RTCYAR.RTCYH[3:0] bits and the RTCYAR.RTCYL[3:0] bits are used to set and read the 10-year digit and the 1-year digit of the year counter, respectively. The setting/read values are a BCD code within the range from 0 to 99.

Note: Be sure to avoid writing to the RTCYAR.RTCYH[3:0]/RTCYL[3:0] bits while the RTCCTL.RTCBSY bit = 1.

RTC Interrupt Flag Register

Register name	Bit	Bit name	Initial	Reset	R/W	Remarks
RTCINTF	15	RTCTRMIF	0	H0	R/W	Cleared by writing 1.
	14	SW1IF	0	H0	R/W	
	13	SW10IF	0	H0	R/W	
	12	SW100IF	0	H0	R/W	
	11–9	–	0x0	–	R	–
	8	ALARMIF	0	H0	R/W	Cleared by writing 1.
	7	1DAYIF	0	H0	R/W	
	6	1HURIF	0	H0	R/W	
	5	1MINIF	0	H0	R/W	
	4	1SECFIF	0	H0	R/W	
	3	1_2SECFIF	0	H0	R/W	
	2	1_4SECFIF	0	H0	R/W	
	1	1_8SECFIF	0	H0	R/W	
	0	1_32SECFIF	0	H0	R/W	

Bit 15 **RTCTRMIF**

Bit 14 **SW1IF**

Bit 13 **SW10IF**

Bit 12 **SW100IF**

These bits indicate the real-time clock interrupt cause occurrence status.

1 (R): Cause of interrupt occurred

0 (R): No cause of interrupt occurred

1 (W): Clear flag

0 (W): Ineffective

The following shows the correspondence between the bit and interrupt:

RTCINTF.RTCTRMIF bit: Theoretical regulation completion interrupt

RTCINTF.SW1IF bit: Stopwatch 1 Hz interrupt

RTCINTF.SW10IF bit: Stopwatch 10 Hz interrupt

RTCINTF.SW100IF bit: Stopwatch 100 Hz interrupt

Bits 11–9 **Reserved**

Bit 8	ALARMIF
Bit 7	1DAYIF
Bit 6	1HURIF
Bit 5	1MINIF
Bit 4	1SECIF
Bit 3	1_2SECIF
Bit 2	1_4SECIF
Bit 1	1_8SECIF
Bit 0	1_32SECIF

These bits indicate the real-time clock interrupt cause occurrence status.

1 (R):	Cause of interrupt occurred
0 (R):	No cause of interrupt occurred
1 (W):	Clear flag
0 (W):	Ineffective

The following shows the correspondence between the bit and interrupt:

RTCINTF.ALARMIF bit:	Alarm interrupt
RTCINTF.1DAYIF bit:	1-day interrupt
RTCINTF.1HURIF bit:	1-hour interrupt
RTCINTF.1MINIF bit:	1-minute interrupt
RTCINTF.1SECIF bit:	1-second interrupt
RTCINTF.1_2SECIF bit:	1/2-second interrupt
RTCINTF.1_4SECIF bit:	1/4-second interrupt
RTCINTF.1_8SECIF bit:	1/8-second interrupt
RTCINTF.1_32SECIF bit:	1/32-second interrupt

RTC Interrupt Enable Register

Register name	Bit	Bit name	Initial	Reset	R/W	Remarks
RTCINTE	15	RTCTRMIE	0	H0	R/W	-
	14	SW1IE	0	H0	R/W	
	13	SW10IE	0	H0	R/W	
	12	SW100IE	0	H0	R/W	
	11-9	-	0x0	-	R	
	8	ALARMIE	0	H0	R/W	
	7	1DAYIE	0	H0	R/W	
	6	1HURIE	0	H0	R/W	
	5	1MINIE	0	H0	R/W	
	4	1SECIE	0	H0	R/W	
	3	1_2SECIE	0	H0	R/W	
	2	1_4SECIE	0	H0	R/W	
	1	1_8SECIE	0	H0	R/W	
0	1_32SECIE	0	H0	R/W		

Bit 15	RTCTRMIE
Bit 14	SW1IE
Bit 13	SW10IE
Bit 12	SW100IE

These bits enable real-time clock interrupts.

1 (R/W):	Enable interrupts
0 (R/W):	Disable interrupts

The following shows the correspondence between the bit and interrupt:

RTCINTE.RTCTRMIE bit:	Theoretical regulation completion interrupt
RTCINTE.SW1IE bit:	Stopwatch 1 Hz interrupt
RTCINTE.SW10IE bit:	Stopwatch 10 Hz interrupt
RTCINTE.SW100IE bit:	Stopwatch 100 Hz interrupt

8 REAL-TIME CLOCK (RTCA)

Bits 11–9 Reserved

Bit 8 ALARMIE

Bit 7 1DAYIE

Bit 6 1HURIE

Bit 5 1MINIE

Bit 4 1SECIE

Bit 3 1_2SECIE

Bit 2 1_4SECIE

Bit 1 1_8SECIE

Bit 0 1_32SECIE

These bits enable real-time clock interrupts.

1 (R/W): Enable interrupts

0 (R/W): Disable interrupts

The following shows the correspondence between the bit and interrupt:

RTCINTE.ALARMIE bit: Alarm interrupt

RTCINTE.1DAYIE bit: 1-day interrupt

RTCINTE.1HURIE bit: 1-hour interrupt

RTCINTE.1MINIE bit: 1-minute interrupt

RTCINTE.1SECIE bit: 1-second interrupt

RTCINTE.1_2SECIE bit: 1/2-second interrupt

RTCINTE.1_4SECIE bit: 1/4-second interrupt

RTCINTE.1_8SECIE bit: 1/8-second interrupt

RTCINTE.1_32SECIE bit: 1/32-second interrupt

9 Supply Voltage Detector (SVD)

9.1 Overview

SVD is a supply voltage detector to monitor the power supply voltage on the V_{DD} pin or the voltage applied to an external pin. The main features are listed below.

- Power supply voltage to be detected: Selectable from V_{DD} and an external power supply (EXSVD)
- Detectable voltage level: Selectable from among 20 levels (1.8 to 3.7 V)
- Detection results:
 - Can be read whether the power supply voltage is lower than the detection voltage level or not.
 - Can generate an interrupt or a reset when low power supply voltage is detected.
- Interrupt: 1 system (Low power supply voltage detection interrupt)
- Supports intermittent operations:
 - Three detection cycles are selectable.
 - Low power supply voltage detection count function to generate an interrupt/reset when low power supply voltage is successively detected the number of times specified.
 - Continuous operation is also possible.

Figure 9.1.1 shows the configuration of SVD.

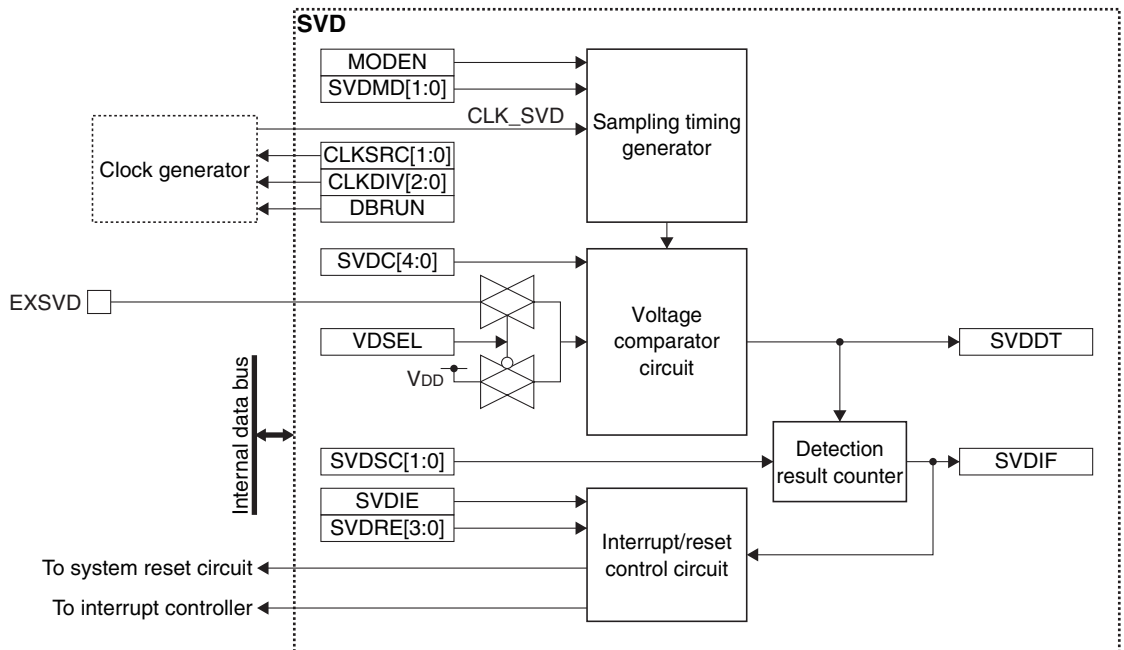


Figure 9.1.1 SVD Configuration

9.2 Input Pin and External Connection

9.2.1 Input Pin

Table 9.2.1.1 shows the SVD input pin.

Table 9.2.1.1 SVD Input Pin

Pin name	I/O*	Initial status*	Function
EXSVD	A	A (Hi-Z)	External power supply voltage detection pin

* Indicates the status when the pin is configured for SVD.

If the port is shared with the EXSVD pin and other functions, the EXSVD function must be assigned to the port before SVD can be activated. For more information, refer to the “I/O Ports” chapter.

9.2.2 External Connection

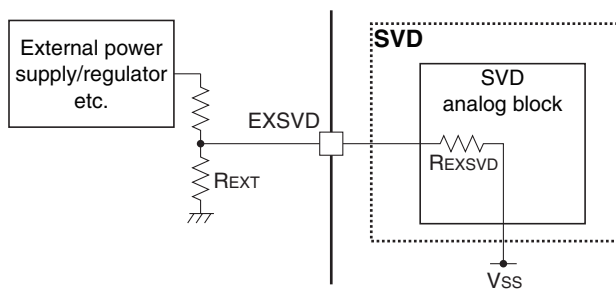


Figure 9.2.2.1 Connection between EXSVD Pin and External Power Supply

REXT resistance value must be determined so that it will be sufficiently smaller than the EXSVD input impedance REXSVD. For the EXSVD pin input voltage range and the EXSVD input impedance, refer to “Supply Voltage Detector Characteristics” in the “Electrical Characteristics” chapter.

9.3 Clock Settings

9.3.1 SVD Operating Clock

When using SVD, the SVD operating clock CLK_SVD must be supplied to SVD from the clock generator. The CLK_SVD supply should be controlled as in the procedure shown below.

1. Write 0x0096 to the MSCPROT.PROT[15:0] bits. (Remove system protection)
2. Enable the clock source in the clock generator if it is stopped (refer to “Clock Generator” in the “Power Supply, Reset, and Clocks” chapter).
3. Set the following SVDCLK register bits:
 - SVDCLK.CLKSRC[1:0] bits (Clock source selection)
 - SVDCLK.CLKDIV[2:0] bits (Clock division ratio selection = Clock frequency setting)
4. Write a value other than 0x0096 to the MSCPROT.PROT[15:0] bits. (Set system protection)

The CLK_SVD frequency should be set to around 32 kHz.

9.3.2 Clock Supply in SLEEP Mode

When using SVD during SLEEP mode, the SVD operating clock CLK_SVD must be configured so that it will keep supplying by writing 0 to the CLGOSC.xxxxSLPC bit for the CLK_SVD clock source.

If the CLGOSC.xxxxSLPC bit for the CLK_SVD clock source is 1, the CLK_SVD clock source is deactivated during SLEEP mode and SVD stops with the register settings maintained at those before entering SLEEP mode. After the CPU returns to normal mode, CLK_SVD is supplied and the SVD operation resumes.

9.3.3 Clock Supply in DEBUG Mode

The CLK_SVD supply during DEBUG mode should be controlled using the SVDCLK.DBRUN bit.

The CLK_SVD supply to SVD is suspended when the CPU enters DEBUG mode if the SVDCLK.DBRUN bit = 0. After the CPU returns to normal mode, the CLK_SVD supply resumes. Although SVD stops operating when the CLK_SVD supply is suspended, the registers retain the status before DEBUG mode was entered.

If the SVDCLK.DBRUN bit = 1, the CLK_SVD supply is not suspended and SVD will keep operating in DEBUG mode.

9.4 Operations

9.4.1 SVD Control

Starting detection

SVD should be initialized and activated with the procedure listed below.

1. Write 0x0096 to the MSCPROT.PROT[15:0] bits. (Remove system protection)
2. Configure the operating clock using the SVDCLK.CLKSRC[1:0] and SVDCLK.CLKDIV[2:0] bits.
3. Set the following SVDCTL register bits:
 - SVDCTL.VDSEL bit (Select detection voltage (V_{DD} or EXSVD))
 - SVDCTL.SVDSC[1:0] bits (Set low power supply voltage detection counter)
 - SVDCTL.SVDC[4:0] bits (Set SVD detection voltage V_{SVD})
 - SVDCTL.SVDRE[3:0] bits (Select reset/interrupt mode)
 - SVDCTL.SVDMD[1:0] bits (Set intermittent operation mode)
4. Set the following bits when using the interrupt:
 - Write 1 to the SVDINTF.SVDIF bit. (Clear interrupt flag)
 - Set the SVDINTE.SVDIE bit to 1. (Enable SVD interrupt)
5. Set the SVDCTL.MODEN bit to 1. (Enable SVD detection)
6. Write a value other than 0x0096 to the MSCPROT.PROT[15:0] bits. (Set system protection)

Terminating detection

Follow the procedure shown below to stop SVD operation.

1. Write 0x0096 to the MSCPROT.PROT[15:0] bits. (Remove system protection)
2. Write 0 to the SVDCTL.MODEN bit. (Disable SVD detection)
3. Write a value other than 0x0096 to the MSCPROT.PROT[15:0] bits. (Set system protection)

Reading detection results

The following two detection results can be obtained by reading the SVDINTF.SVDDT bit:

- Power supply voltage (V_{DD} or EXSVD) \geq SVD detection voltage V_{SVD} when SVDINTF.SVDDT bit = 0
- Power supply voltage (V_{DD} or EXSVD) $<$ SVD detection voltage V_{SVD} when SVDINTF.SVDDT bit = 1

Before reading the SVDINTF.SVDDT bit, wait for at least SVD circuit enable response time after 1 is written to the SVDCTL.MODEN bit (refer to “Supply Voltage Detector Characteristics, SVD circuit enable response time t_{SVDEN} ” in the “Electrical Characteristics” chapter).

After the SVDCTL.SVDC[4:0] bits setting value is altered to change the SVD detection voltage V_{SVD} when the SVDCTL.MODEN bit = 1, wait for at least SVD circuit response time before reading the SVDINTF.SVDDT bit (refer to “Supply Voltage Detector Characteristics, SVD circuit response time t_{SVD} ” in the “Electrical Characteristics” chapter).

9.4.2 SVD Operations

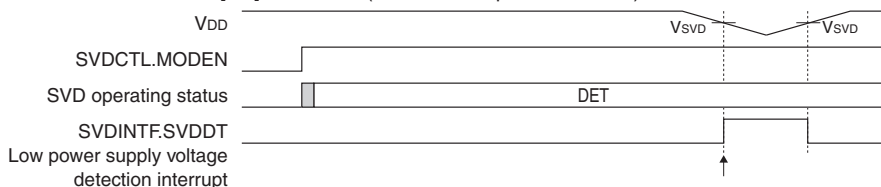
Continuous operation mode

SVD operates in continuous operation mode by default (SVDCTL.SVDMMD[1:0] bits = 0x0). In this mode, SVD operates continuously while the SVDCTL.MODEN bit is set to 1 and it keeps loading the detection results to the SVDINTF.SVDDT bit. During this period, the current detection results can be obtained by reading the SVDINTF.SVDDT bit as necessary. Furthermore, an interrupt (if the SVDCTL.SVDRE[3:0] bits ≠ 0xa) or a reset (if the SVDCTL.SVDRE[3:0] bits = 0xa) can be generated when the SVDINTF.SVDDT bit is set to 1 (low power supply voltage is detected). This mode can keep detecting power supply voltage drop after the voltage detection masking time has elapsed even if the IC is placed into SLEEP status or accidental clock stoppage has occurred.

Intermittent operation mode

SVD operates in intermittent operation mode when the SVDCTL.SVDMMD[1:0] bits are set to 0x1 to 0x3. In this mode, SVD turns on at an interval set using the SVDCTL.SVDMMD[1:0] bits to perform detection operation and then it turns off while the SVDCTL.MODEN bit is set to 1. During this period, the latest detection results can be obtained by reading the SVDINTF.SVDDT bit as necessary. Furthermore, an interrupt or a reset can be generated when SVD has successively detected low power supply voltage the number of times specified by the SVDCTL.SVDSC[1:0] bits.

(1) When the SVDCTL.SVDMMD[1:0] bits = 0x0 (continuous operation mode)



(2) When the SVDCTL.SVDMMD[1:0] bits ≠ 0x0 (intermittent operation mode)

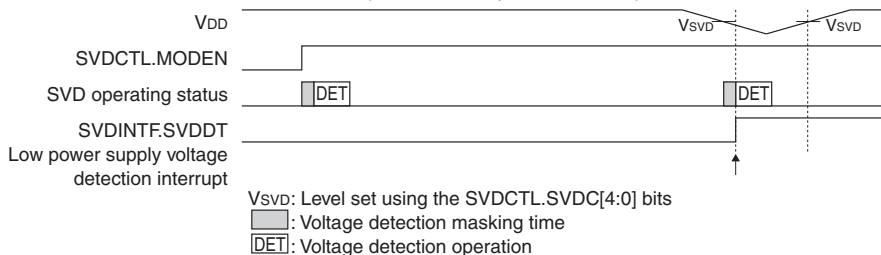


Figure 9.4.2.1 SVD Operations

9.5 SVD Interrupt and Reset

9.5.1 SVD Interrupt

Setting the SVDCTL.SVDRE[3:0] bits to a value other than 0xa allows use of the low power supply voltage detection interrupt function.

Table 9.5.1.1 Low Power Supply Voltage Detection Interrupt Function

Interrupt	Interrupt flag	Set condition	Clear condition
Low power supply voltage detection	SVDINTF.SVDIF	In continuous operation mode When the SVDINTF.SVDDT bit is 1 In intermittent operation mode When low power supply voltage is successively detected the specified number of times	Writing 1

SVD provides the interrupt enable bit (SVDINTE.SVDIE bit) corresponding to the interrupt flag (SVDINTF.SVDIF bit). An interrupt request is sent to the interrupt controller only when the SVDINTF.SVDIF bit is set while the interrupt is enabled by the SVDINTE.SVDIE bit. For more information on interrupt control, refer to the “Interrupt Controller” chapter.

Once the SVDINTF.SVDIF bit is set, it will not be cleared even if the power supply voltage subsequently returns to a value exceeding the SVD detection voltage V_{SVD} . An interrupt may occur due to a temporary power supply voltage drop, check the power supply voltage status by reading the SVDINTF.SVDDT bit in the interrupt handler routine.

9.5.2 SVD Reset

Setting the SVDCTL.SVDRE[3:0] bits to 0xa allows use of the SVD reset issuance function.

The reset issuing timing is the same as that of the SVDINTF.SVDIF bit being set when a low voltage is detected.

After a reset has been issued, SVD enters continuous operation mode even if it was operating in intermittent operation mode, and continues operating. Issuing an SVD reset initializes the port assignment. However, when EXSVD is being detected, the input of the port for the EXSVD pin is sent to SVD so that SVD will continue the EXSVD detection operation.

If the power supply voltage reverts to the normal level, the SVDINTF.SVDDT bit goes 0 and the reset state is canceled. After that, SVD resumes operating in the operation mode set previously via the initialization routine.

During reset state, the SVD control bits are set as shown in Table 9.5.2.1.

Table 9.5.2.1 SVD Control Bits During Reset State

Control register	Control bit	Setting
SVDCLK	DBRUN	Reset to the initial values.
	CLKDIV[2:0]	
	CLKSRC[1:0]	
SVDCTL	VDSEL	The set value is retained.
	SVDSC[1:0]	Cleared to 0. (The set value becomes invalid as SVD enters continuous operation mode.)
	SVDC[4:0]	The set value is retained.
	SVDRE[3:0]	The set value (0xa) is retained.
	SVDMD[1:0]	Cleared to 0 to set continuous operation mode.
	MODEN	The set value (1) is retained.
SVDINTF	SVDIF	The status (1) before being reset is retained.
SVDINTE	SVDIE	Cleared to 0.

9.6 Control Registers

SVD Clock Control Register

Register name	Bit	Bit name	Initial	Reset	R/W	Remarks
SVDCLK	15–9	–	0x00	–	R	–
	8	DBRUN	1	H0	R/WP	
	7	–	0	–	R	
	6–4	CLKDIV[2:0]	0x0	H0	R/WP	
	3–2	–	0x0	–	R	
	1–0	CLKSRC[1:0]	0x0	H0	R/WP	

Bits 15–9 Reserved

Bit 8 DBRUN

This bit sets whether the SVD operating clock is supplied in DEBUG mode or not.

1 (R/WP): Clock supplied in DEBUG mode

0 (R/WP): No clock supplied in DEBUG mode

Bit 7 Reserved

Bits 6–4 CLKDIV[2:0]

These bits select the division ratio of the SVD operating clock.

Bits 3–2 Reserved

Bits 1–0 CLKSRC[1:0]

These bits select the clock source of SVD.

Table 9.6.1 Clock Source and Division Ratio Settings

SVDCLK. CLKDIV[2:0] bits	SVDCLK.CLKSRC[1:0] bits			
	0x0	0x1	0x2	0x3
	IOSC	OSC1	OSC3	EXOSC
0x6, 0x7	Reserved	1/1	Reserved	1/1
0x5	1/512		1/512	
0x4	1/256		1/256	
0x3	1/128		1/128	
0x2	1/64		1/64	
0x1	1/32		1/32	
0x0	1/16		1/16	

(Note) The oscillation circuits/external input that are not supported in this IC cannot be selected as the clock source.

Note: The clock frequency should be set to around 32 kHz.

SVD Control Register

Register name	Bit	Bit name	Initial	Reset	R/W	Remarks
SVDCTL	15	VDSEL	0	H1	R/WP	–
	14–13	SVDSC[1:0]	0x0	H0	R/WP	Writing takes effect when the SVDCTL.SVDMMD[1:0] bits are not 0x0.
	12–8	SVDC[4:0]	0x00	H1	R/WP	–
	7–4	SVDRE[3:0]	0x0	H1	R/WP	–
	3	–	0	–	R	–
	2–1	SVDMMD[1:0]	0x0	H0	R/WP	–
	0	MODEN	0	H1	R/WP	–

Bit 15 VDSEL

This bit selects the power supply voltage to be detected by SVD.

1 (R/WP): Voltage applied to the EXSVD pin

0 (R/WP): V_{DD}

Bits 14–13 SVDSC[1:0]

These bits set the condition to generate an interrupt/reset (number of successive low voltage detections) in intermittent operation mode (SVDCTL.SVDMMD[1:0] bits = 0x1 to 0x3).

Table 9.6.2 Interrupt/Reset Generating Condition in Intermittent Operation Mode

SVDCTL.SVDSC[1:0] bits	Interrupt/reset generating condition
0x3	Low power supply voltage is successively detected eight times.
0x2	Low power supply voltage is successively detected four times.
0x1	Low power supply voltage is successively detected twice.
0x0	Low power supply voltage is successively detected once.

This setting is ineffective in continuous operation mode (SVDCTL.SVDMMD[1:0] bits = 0x0).

Bits 12–8 SVDC[4:0]

These bits select an SVD detection voltage V_{SVD} for detecting low voltage from among 20 levels.

Table 9.6.3 Setting of SVD detection voltage V_{SVD}

SVDCTL.SVDC[4:0] bits	SVD detection voltage V _{SVD} [V]
0x1f	High
0x1e	↑
:	
0x0d	↓
0x0c	Low
0x0b–0x00	Use prohibited

For more information, refer to “Supply Voltage Detector Characteristics, SVD detection voltage V_{SVD}” in the “Electrical Characteristics” chapter.

Bits 7–4 SVDRE[3:0]

These bits enable/disable the reset issuance function when a low power supply voltage is detected.

0xa (R/WP): Enable (Issue reset)

Other than 0xa (R/WP): Disable (Generate interrupt)

For more information on the SVD reset issuance function, refer to “SVD Reset.”

Bit 3 Reserved**Bits 2–1 SVDMD[1:0]**

These bits select intermittent operation mode and its detection cycle.

Table 9.6.4 Intermittent Operation Mode Detection Cycle Selection

SVDCTL.SVDMD[1:0] bits	Operation mode (detection cycle)
0x3	Intermittent operation mode (CLK_SVD/512)
0x2	Intermittent operation mode (CLK_SVD/256)
0x1	Intermittent operation mode (CLK_SVD/128)
0x0	Continuous operation mode

For more information on intermittent and continuous operation modes, refer to “SVD Operations.”

Bit 0 MODEN

This bit enables/disables for the SVD circuit to operate.

1 (R/WP): Enable (Start detection operations)

0 (R/WP): Disable (Stop detection operations)

After this bit has been altered, wait until the value written is read out from this bit without subsequent operations being performed.

- Notes:**
- Writing 0 to the SVDCTL.MODEN bit resets the SVD hardware. However, the register values set and the interrupt flag are not cleared. The SVDCTL.MODEN bit is actually set to 0 after this processing has finished. If 1 is written to the SVDCTL.MODEN bit continuously without waiting for the bit being read as 0 at this time, writing 0 may be ignored and a malfunction may occur as the hardware restarts without resetting.
 - The SVD internal circuit is initialized if the SVDCTL.SVDSC[1:0] bits, SVDCTL.SVDRE[3:0] bits, or SVDCTL.SVDMD[1:0] bits are altered while SVD is in operation after 1 is written to the SVDCTL.MODEN bit.

SVD Status and Interrupt Flag Register

Register name	Bit	Bit name	Initial	Reset	R/W	Remarks
SVDINTF	15–9	–	0x00	–	R	–
	8	SVDDT	x	–	R	
	7–1	–	0x00	–	R	
	0	SVDIF	0	H1	R/W	Cleared by writing 1.

Bits 15–9 Reserved**Bit 8 SVDDT**

The power supply voltage detection results can be read out from this bit.

1 (R): Power supply voltage (V_{DD} or EXSVD) < SVD detection voltage V_{SVD}

0 (R): Power supply voltage (V_{DD} or EXSVD) \geq SVD detection voltage V_{SVD}

Bits 7–1 Reserved**Bit 0 SVDIF**

This bit indicates the low power supply voltage detection interrupt cause occurrence status.

1 (R): Cause of interrupt occurred

0 (R): No cause of interrupt occurred

1 (W): Clear flag

0 (W): Ineffective

9 SUPPLY VOLTAGE DETECTOR (SVD)

Note: The SVD internal circuit is initialized if the interrupt flag is cleared while SVD is in operation after 1 is written to the SVDCTL.MODEN bit.

SVD Interrupt Enable Register

Register name	Bit	Bit name	Initial	Reset	R/W	Remarks
SVDINTE	15–8	–	0x00	–	R	–
	7–1	–	0x00	–	R	
	0	SVDIE	0	H0	R/W	

Bits 15–1 Reserved

Bit 0 SVDIE

This bit enables low power supply voltage detection interrupts.

1 (R/W): Enable interrupts

0 (R/W): Disable interrupts

- Notes:**
- If the SVDCTL.SVDRE[3:0] bits are set to 0xa, no low power supply voltage detection interrupt will occur, as a reset is issued at the same timing as an interrupt.
 - To prevent generating unnecessary interrupts, the corresponding interrupt flag should be cleared before enabling interrupts.

10 16-bit Timers (T16)

10.1 Overview

T16 is a 16-bit timer. The features of T16 are listed below.

- 16-bit presettable down counter
- Provides a reload data register for setting the preset value.
- A clock source and clock division ratio for generating the count clock are selectable.
- Repeat mode or one-shot mode is selectable.
- Can generate counter underflow interrupts.

Figure 10.1.1 shows the configuration of a T16 channel.

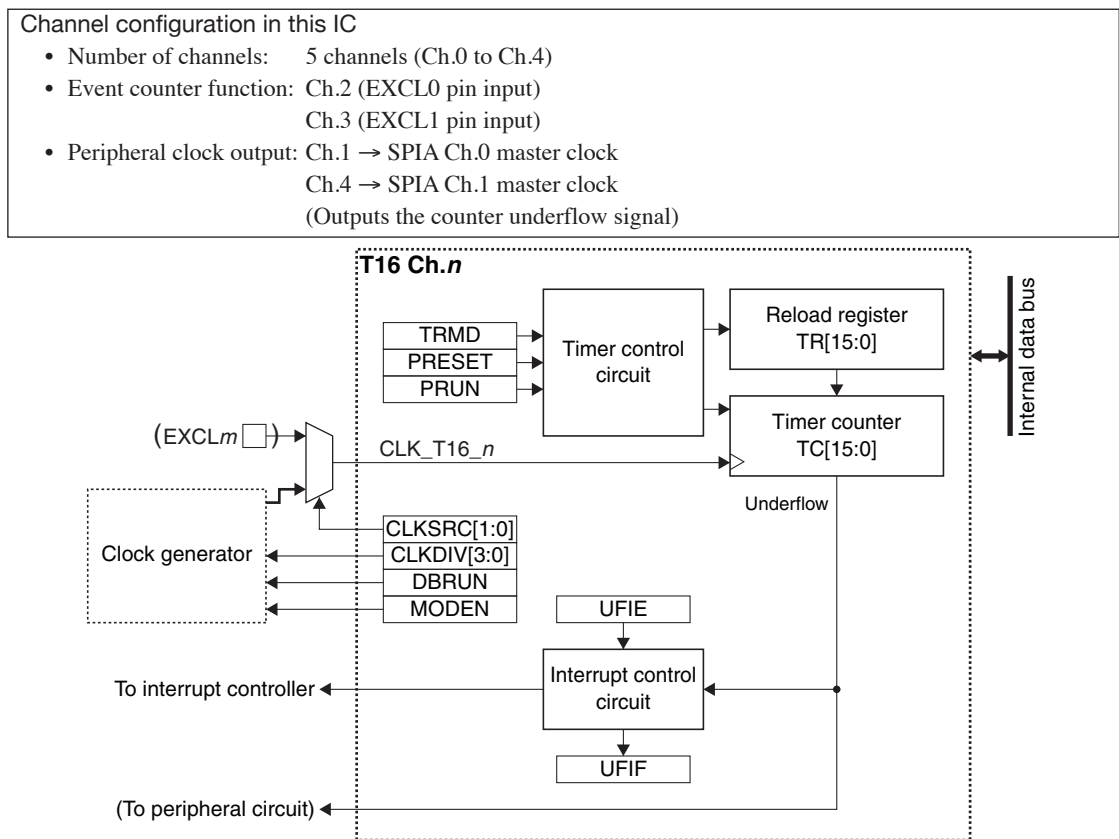


Figure 10.1.1 Configuration of a T16 Channel

10.2 Input Pin

Table 10.2.1 shows the T16 input pin.

Table 10.2.1 T16 Input Pin

Pin name	I/O*	Initial status*	Function
EXCL m	I	1 (Hi-Z)	External event signal input pin

* Indicates the status when the pin is configured for T16.

If the port is shared with the EXCL m pin and other functions, the EXCL m input function must be assigned to the port before using the event counter function. For more information, refer to the “I/O Ports” chapter.

10.3 Clock Settings

10.3.1 T16 Operating Clock

When using T16 Ch.*n*, the T16 Ch.*n* operating clock CLK_T16_*n* must be supplied to T16 Ch.*n* from the clock generator. The CLK_T16_*n* supply should be controlled as in the procedure shown below.

1. Enable the clock source in the clock generator if it is stopped (refer to “Clock Generator” in the “Power Supply, Reset, and Clocks” chapter).
2. Set the following T16_*n*CLK register bits:
 - T16_*n*CLK.CLKSRC[1:0] bits (Clock source selection)
 - T16_*n*CLK.CLKDIV[3:0] bits (Clock division ratio selection = Clock frequency setting)

10.3.2 Clock Supply in SLEEP Mode

When using T16 during SLEEP mode, the T16 operating clock CLK_T16_*n* must be configured so that it will keep supplying by writing 0 to the CLGOSC.*xxx*SLPC bit for the CLK_T16_*n* clock source.

If the CLGOSC.*xxx*SLPC bit for the CLK_T16_*n* clock source is 1, the CLK_T16_*n* clock source is deactivated during SLEEP mode and T16 stops with the register settings and counter value maintained at those before entering SLEEP mode. After the CPU returns to normal mode, CLK_T16_*n* is supplied and the T16 operation resumes.

10.3.3 Clock Supply in DEBUG Mode

The CLK_T16_*n* supply during DEBUG mode should be controlled using the T16_*n*CLK.DBRUN bit.

The CLK_T16_*n* supply to T16 Ch.*n* is suspended when the CPU enters DEBUG mode if the T16_*n*CLK.DBRUN bit = 0. After the CPU returns to normal mode, the CLK_T16_*n* supply resumes. Although T16 Ch.*n* stops operating when the CLK_T16_*n* supply is suspended, the counter and registers retain the status before DEBUG mode was entered. If the T16_*n*CLK.DBRUN bit = 1, the CLK_T16_*n* supply is not suspended and T16 Ch.*n* will keep operating in DEBUG mode.

10.3.4 Event Counter Clock

The channel that supports the event counter function counts down at the rising edge of the EXCL_{*m*} pin input signal when the T16_*n*CLK.CLKSRC[1:0] bits are set to 0x3.

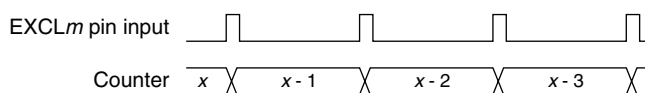


Figure 10.3.4.1 Count Down Timing

Note that the EXOSC clock is selected for the channel that does not support the event counter function.

10.4 Operations

10.4.1 Initialization

T16 Ch.*n* should be initialized and started counting with the procedure shown below.

1. Configure the T16 Ch.*n* operating clock (see “T16 Operating Clock”).
2. Set the T16_*n*CTL.MODEN bit to 1. (Enable count operation clock)
3. Set the T16_*n*MOD.TRMD bit. (Select operation mode (Repeat mode or One-shot mode))
4. Set the T16_*n*TR register. (Set reload data (counter preset data))
5. Set the following bits when using the interrupt:
 - Write 1 to the T16_*n*INTF.UFIF bit. (Clear interrupt flag)
 - Set the T16_*n*INTE.UFIE bit to 1. (Enable underflow interrupt)

6. Set the following T16_nCTL register bits:
 - Set the T16_nCTL.PRESET bit to 1. (Preset reload data to counter)
 - Set the T16_nCTL.PRUN bit to 1. (Start counting)

10.4.2 Counter Underflow

Normally, the T16 counter starts counting down from the reload data value preset and generates an underflow signal when an underflow occurs. This signal is used to generate an interrupt and may be output to a specific peripheral circuit as a clock (T16 Ch.n must be set to repeat mode to generate a clock). The underflow cycle is determined by the T16 Ch.n operating clock setting and reload data (counter initial value) set in the T16_nTR register.

The following shows the equations to calculate the underflow cycle and frequency:

$$T = \frac{TR + 1}{f_{CLK_T16_n}} \quad f_T = \frac{f_{CLK_T16_n}}{TR + 1} \quad (\text{Eq. 10.1})$$

Where

- T: Underflow cycle [s]
- f_T: Underflow frequency [Hz]
- TR: T16_nTR register setting
- f_{CLK_T16_n}: T16 Ch.n operating clock frequency [Hz]

10.4.3 Operations in Repeat Mode

T16 Ch.n enters repeat mode by setting the T16_nMOD.TRMD bit to 0.

In repeat mode, the count operation starts by writing 1 to the T16_nCTL.PRUN bit and continues until 0 is written. A counter underflow presets the T16_nTR register value to the counter, so underflow occurs periodically. Select this mode to generate periodic underflow interrupts or when using the timer to output a trigger/clock to the peripheral circuit.

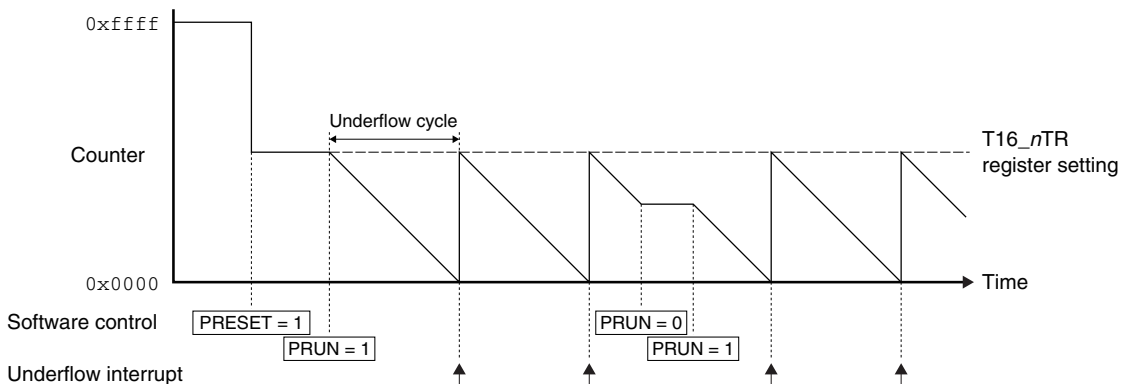


Figure 10.4.3.1 Count Operations in Repeat Mode

10.4.4 Operations in One-shot Mode

T16 Ch.n enters one-shot mode by setting the T16_nMOD.TRMD bit to 1.

In one-shot mode, the count operation starts by writing 1 to the T16_nCTL.PRUN bit and stops after the T16_nTR register value is preset to the counter when an underflow has occurred. At the same time the counter stops, the T16_nCTL.PRUN bit is cleared automatically. Select this mode to stop the counter after an interrupt has occurred once, such as for checking a specific lapse of time.

10 16-BIT TIMERS (T16)

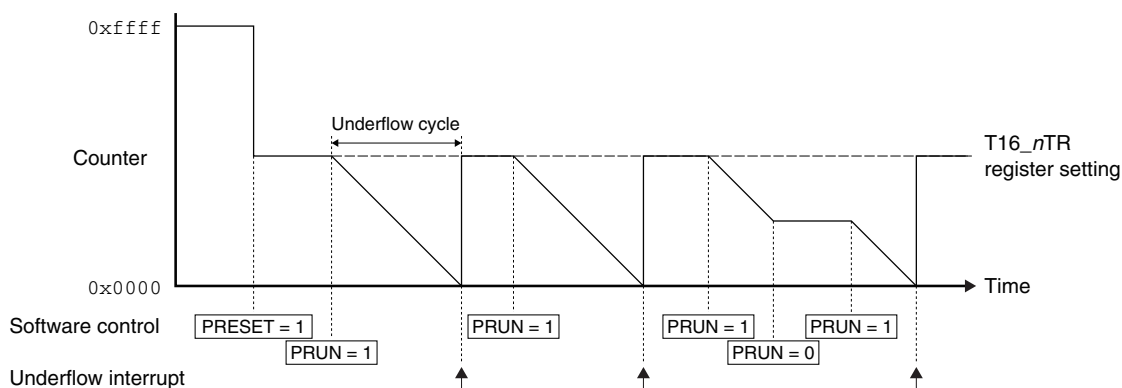


Figure 10.4.4.1 Count Operations in One-shot Mode

10.4.5 Counter Value Read

The counter value can be read out from the T16_nTC.TC[15:0] bits. However, since T16 operates on CLK_T16_n, one of the operations shown below is required to read correctly by the CPU.

- Read the counter value twice or more and check to see if the same value is read.
- Stop the timer and then read the counter value.

10.5 Interrupt

Each T16 channel has a function to generate the interrupt shown in Table 10.5.1.

Table 10.5.1 T16 Interrupt Function

Interrupt	Interrupt flag	Set condition	Clear condition
Underflow	T16_nINTF.UFIF	When the counter underflows	Writing 1

T16 provides interrupt enable bits corresponding to each interrupt flag. An interrupt request is sent to the interrupt controller only when the interrupt flag, of which interrupt has been enabled by the interrupt enable bit, is set. For more information on interrupt control, refer to the “Interrupt Controller” chapter.

10.6 Control Registers

T16 Ch.n Clock Control Register

Register name	Bit	Bit name	Initial	Reset	R/W	Remarks
T16_nCLK	15–9	–	0x00	–	R	–
	8	DBRUN	0	H0	R/W	
	7–4	CLKDIV[3:0]	0x0	H0	R/W	
	3–2	–	0x0	–	R	
	1–0	CLKSRC[1:0]	0x0	H0	R/W	

Bits 15–9 Reserved

Bit 8 DBRUN

This bit sets whether the T16 Ch.n operating clock is supplied in DEBUG mode or not.

1 (R/W): Clock supplied in DEBUG mode

0 (R/W): No clock supplied in DEBUG mode

Bits 7–4 CLKDIV[3:0]

These bits select the division ratio of the T16 Ch.n operating clock (counter clock).

Bits 3–2 Reserved

Bits 1–0 CLKSRC[1:0]

These bits select the clock source of T16 Ch.n.

Table 10.6.1 Clock Source and Division Ratio Settings

T16_nCLK. CLKDIV[3:0] bits	T16_nCLK.CLKSRC[1:0] bits			
	0x0	0x1	0x2	0x3
	IOSC	OSC1	OSC3	EXOSC/EXCLm
0xf	1/32,768	1/1	1/32,768	1/1
0xe	1/16,384		1/16,384	
0xd	1/8,192		1/8,192	
0xc	1/4,096		1/4,096	
0xb	1/2,048		1/2,048	
0xa	1/1,024		1/1,024	
0x9	1/512		1/512	
0x8	1/256	1/256	1/256	
0x7	1/128	1/128	1/128	
0x6	1/64	1/64	1/64	
0x5	1/32	1/32	1/32	
0x4	1/16	1/16	1/16	
0x3	1/8	1/8	1/8	
0x2	1/4	1/4	1/4	
0x1	1/2	1/2	1/2	
0x0	1/1	1/1	1/1	

(Note 1) The oscillation circuits/external input that are not supported in this IC cannot be selected as the clock source.

(Note 2) When the T16_nCLK.CLKSRC[1:0] bits are set to 0x3, EXCLm is selected for the channel with an event counter function or EXOSC is selected for other channels.

T16 Ch.n Mode Register

Register name	Bit	Bit name	Initial	Reset	R/W	Remarks
T16_nMOD	15–8	–	0x00	–	R	–
	7–1	–	0x00	–	R	
	0	TRMD	0	H0	R/W	

Bits 15–1 Reserved

Bit 0 TRMD

This bit selects the T16 operation mode.

1 (R/W): One-shot mode

0 (R/W): Repeat mode

For detailed information on the operation mode, refer to “Operations in One-shot Mode” and “Operations in Repeat Mode.”

T16 Ch.n Control Register

Register name	Bit	Bit name	Initial	Reset	R/W	Remarks
T16_nCTL	15–9	–	0x00	–	R	–
	8	PRUN	0	H0	R/W	
	7–2	–	0x00	–	R	
	1	PRESET	0	H0	R/W	
	0	MODEN	0	H0	R/W	

Bits 15–9 Reserved

Bit 8 PRUN

This bit starts/stops the timer.

1 (W): Start timer

0 (W): Stop timer

1 (R): Timer is running

0 (R): Timer is idle

10 16-BIT TIMERS (T16)

By writing 1 to this bit, the timer starts count operations. However, the T16_nCTL.MODEN bit must be set to 1 in conjunction with this bit or it must be set in advance. While the timer is running, writing 0 to this bit stops count operations. When the counter stops due to a counter underflow in one-shot mode, this bit is automatically cleared to 0.

Bits 7–2 Reserved

Bit 1 PRESET

This bit presets the reload data stored in the T16_nTR register to the counter.

- 1 (W): Preset
- 0 (W): Ineffective
- 1 (R): Presetting in progress
- 0 (R): Presetting finished or normal operation

By writing 1 to this bit, the timer presets the T16_nTR register value to the counter. However, the T16_nCTL.MODEN bit must be set to 1 in conjunction with this bit or it must be set in advance. This bit retains 1 during presetting and is automatically cleared to 0 after presetting has finished.

Bit 0 MODEN

This bit enables the T16 Ch.n operations.

- 1 (R/W): Enable (Start supplying operating clock)
- 0 (R/W): Disable (Stop supplying operating clock)

T16 Ch.n Reload Data Register

Register name	Bit	Bit name	Initial	Reset	R/W	Remarks
T16_nTR	15–0	TR[15:0]	0xffff	H0	R/W	–

Bits 15–0 TR[15:0]

These bits are used to set the initial value to be preset to the counter.

The value set to this register will be preset to the counter when 1 is written to the T16_nCTL.PRESET bit or when the counter underflows.

- Notes:**
- The T16_nTR register cannot be altered while the timer is running (T16_nCTL.PRUN bit = 1), as an incorrect initial value may be preset to the counter.
 - When one-shot mode is set, the T16_nTR.TR[15:0] bits should be set to a value equal to or greater than 0x0001.

T16 Ch.n Counter Data Register

Register name	Bit	Bit name	Initial	Reset	R/W	Remarks
T16_nTC	15–0	TC[15:0]	0xffff	H0	R	–

Bits 15–0 TC[15:0]

The current counter value can be read out from these bits.

T16 Ch.n Interrupt Flag Register

Register name	Bit	Bit name	Initial	Reset	R/W	Remarks
T16_nINTF	15–8	–	0x00	–	R	–
	7–1	–	0x00	–	R	
	0	UFIF	0	H0	R/W	Cleared by writing 1.

Bits 15–1 Reserved

Bit 0 UFIF

This bit indicates the T16 Ch.*n* underflow interrupt cause occurrence status.

- 1 (R): Cause of interrupt occurred
- 0 (R): No cause of interrupt occurred
- 1 (W): Clear flag
- 0 (W): Ineffective

T16 Ch.*n* Interrupt Enable Register

Register name	Bit	Bit name	Initial	Reset	R/W	Remarks
T16_ <i>n</i> INTE	15–8	–	0x00	–	R	–
	7–1	–	0x00	–	R	
	0	UFIE	0	H0	R/W	

Bits 15–1 Reserved**Bit 0 UFIE**

This bit enables T16 Ch.*n* underflow interrupts.

- 1 (R/W): Enable interrupts
- 0 (R/W): Disable interrupts

Note: To prevent generating unnecessary interrupts, the corresponding interrupt flag should be cleared before enabling interrupts.

11 UART (UART)

11.1 Overview

The UART is an asynchronous serial interface. The features of the UART are listed below.

- Includes a baud rate generator for generating the transfer clock.
- Supports 7- and 8-bit data length (LSB first).
- Odd parity, even parity, or non-parity mode is selectable.
- The start bit length is fixed at 1 bit.
- The stop bit length is selectable from 1 bit and 2 bits.
- Supports full-duplex communications.
- Includes a 2-byte receive data buffer and a 1-byte transmit data buffer.
- Includes an RZI modulator/demodulator circuit to support IrDA 1.0-compatible infrared communications.
- Can detect parity error, framing error, and overrun error.
- Can generate receive buffer full (1 byte/2 bytes), transmit buffer empty, end of transmission, parity error, framing error, and overrun error interrupts.
- Input pin can be pulled up with an internal resistor.
- The output pin is configurable as an open-drain output.

Figure 11.1.1 shows the UART configuration.

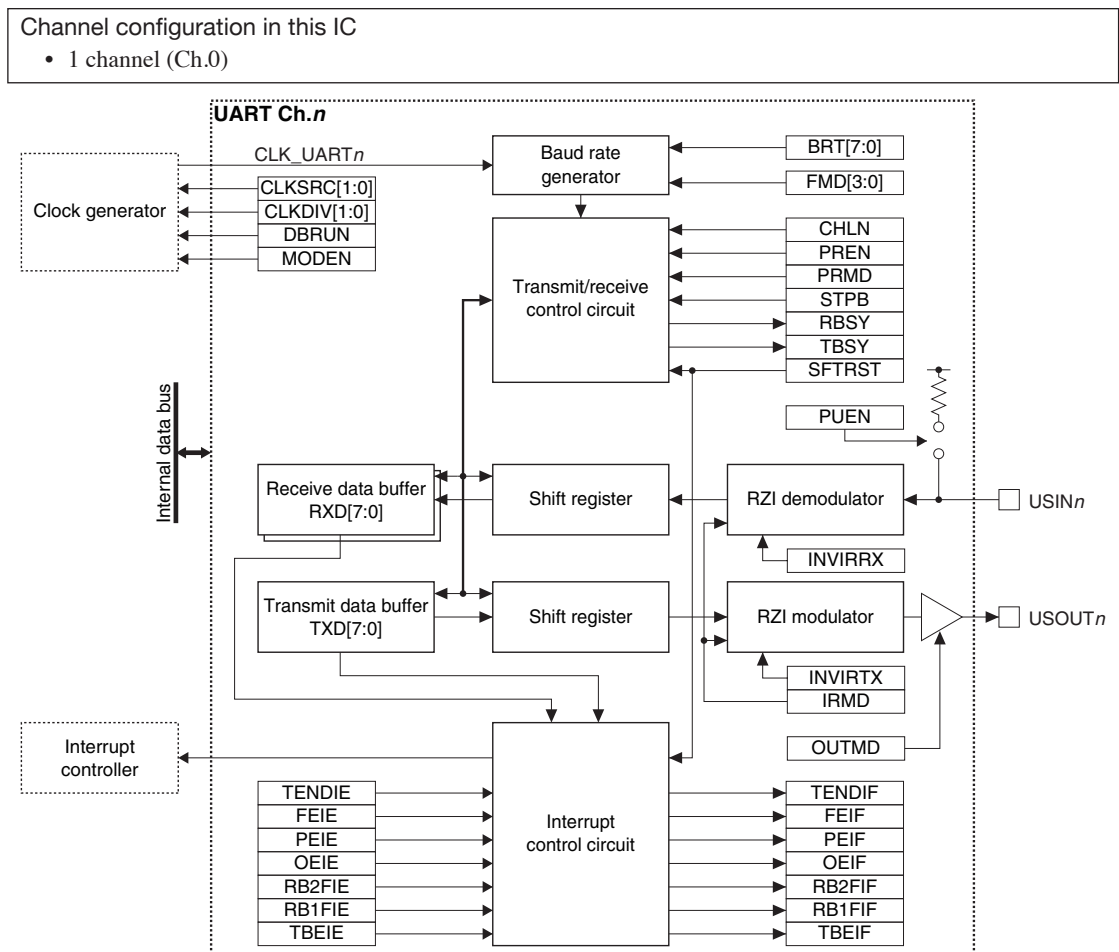


Figure 11.1.1 UART Configuration

11.2 Input/Output Pins and External Connections

11.2.1 List of Input/Output Pins

Table 11.2.1.1 lists the UART pins.

Table 11.2.1.1 List of UART Pins

Pin name	I/O*	Initial status*	Function
USIN n	I	I (Hi-Z)	UART Ch. n data input pin
USOUT n	O	O (High)	UART Ch. n data output pin

* Indicates the status when the pin is configured for the UART.

If the port is shared with the UART pin and other functions, the UART input/output function must be assigned to the port before activating the UART. For more information, refer to the “I/O Ports” chapter.

11.2.2 External Connections

Figure 11.2.2.1 shows a connection diagram between the UART in this IC and an external UART device.

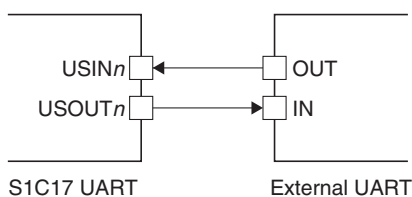


Figure 11.2.2.1 Connections between UART and an External UART Device

11.2.3 Input Pin Pull-Up Function

The UART includes a pull-up resistor for the USIN n pin. Setting the UAnMOD.PUEN bit to 1 enables the resistor to pull up the USIN n pin.

11.2.4 Output Pin Open-Drain Output Function

The USOUT n pin supports the open-drain output function. Default configuration is a push-pull output and it is switched to an open-drain output by setting the UAnMOD.OUTMD bit to 1.

11.3 Clock Settings

11.3.1 UART Operating Clock

When using the UART Ch. n , the UART Ch. n operating clock CLK_UART n must be supplied to the UART Ch. n from the clock generator. The CLK_UART n supply should be controlled as in the procedure shown below.

1. Enable the clock source in the clock generator if it is stopped (refer to “Clock Generator” in the “Power Supply, Reset, and Clocks” chapter).
2. Set the following UAnCLK register bits:
 - UAnCLK.CLKSRC[1:0] bits (Clock source selection)
 - UAnCLK.CLKDIV[1:0] bits (Clock division ratio selection = Clock frequency setting)

The UART operating clock should be selected so that the baud rate generator will be configured easily.

11.3.2 Clock Supply in SLEEP Mode

When using the UART during SLEEP mode, the UART operating clock CLK_UART n must be configured so that it will keep supplying by writing 0 to the CLGOSC.xxxxSLPC bit for the CLK_UART n clock source.

11.3.3 Clock Supply in DEBUG Mode

The CLK_UART n supply during DEBUG mode should be controlled using the UA n CLK.DBRUN bit. The CLK_UART n supply to the UART Ch. n is suspended when the CPU enters DEBUG mode if the UA n CLK.DBRUN bit = 0. After the CPU returns to normal mode, the CLK_UART n supply resumes. Although the UART Ch. n stops operating when the CLK_UART n supply is suspended, the output pin and registers retain the status before DEBUG mode was entered. If the UA n CLK.DBRUN bit = 1, the CLK_UART n supply is not suspended and the UART Ch. n will keep operating in DEBUG mode.

11.3.4 Baud Rate Generator

The UART includes a baud rate generator to generate the transfer (sampling) clock. The transfer rate is determined by the UA n BR.BRT[7:0] and UA n BR.FMD[3:0] bit settings. Use the following equations to calculate the setting values for obtaining the desired transfer rate.

$$\text{bps} = \frac{\text{CLK_UART}}{\{(BRT + 1) \times 16 + \text{FMD}\}} \quad \text{BRT} = \left(\frac{\text{CLK_UART}}{\text{bps}} - \text{FMD} - 16 \right) \div 16 \quad (\text{Eq. 11.1})$$

Where

CLK_UART: UART operating clock frequency [Hz]
 bps: Transfer rate [bit/s]
 BRT: UA n BR.BRT[7:0] setting value (0 to 255)
 FMD: UA n BR.FMD[3:0] setting value (0 to 15)

For the transfer rate range configurable in the UART, refer to “UART Characteristics, Transfer baud rates UBRT1 and UBRT2” in the “Electrical Characteristics” chapter.

11.4 Data Format

The UART allows setting of the data length, stop bit length, and parity function. The start bit length is fixed at one bit.

Data length

With the UA n MOD.CHLN bit, the data length can be set to seven bits (UA n MOD.CHLN bit = 0) or eight bits (UA n MOD.CHLN bit = 1).

Stop bit length

With the UA n MOD.STPB bit, the stop bit length can be set to one bit (UA n MOD.STPB bit = 0) or two bits (UA n MOD.STPB bit = 1).

Parity function

The parity function is configured using the UA n MOD.PREN and UA n MOD.PRMD bits.

Table 11.4.1 Parity Function Setting

UA n MOD.PREN bit	UA n MOD.PRMD bit	Parity function
1	1	Odd parity
1	0	Even parity
0	*	Non parity

11 UART (UART)

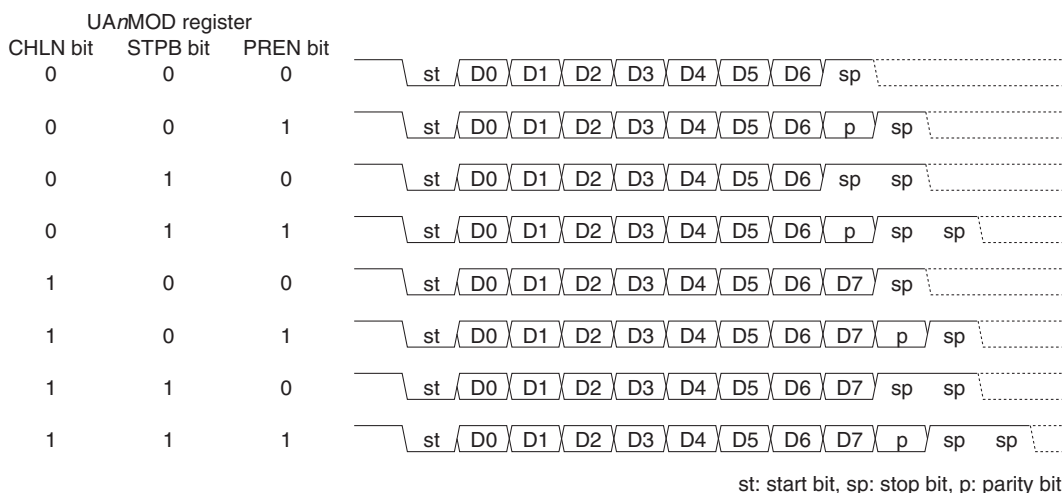


Figure 11.4.1 Data Format

11.5 Operations

11.5.1 Initialization

The UART Ch.*n* should be initialized with the procedure shown below.

1. Assign the UART Ch.*n* input/output function to the ports. (Refer to the “I/O Ports” chapter.)
2. Set the UAnCLK.CLKSRC[1:0] and UAnCLK.CLKDIV[1:0] bits. (Configure operating clock)
3. Configure the following UAnMOD register bits:
 - UAnMOD.PUEN bit (Enable/disable USIN*n* pin pull-up)
 - UAnMOD.OUTMD bit (Enable/disable USOUT*n* pin open-drain output)
 - UAnMOD.IRMD bit (Enable/disable IrDA interface)
 - UAnMOD.CHLN bit (Set 7/8-bit data length)
 - UAnMOD.PREN bit (Enable/disable parity function)
 - UAnMOD.PRMD bit (Even/odd parity selection)
 - UAnMOD.STPB bit (Set 1/2-bit stop bit length)
4. Set the UAnBR.BRT[7:0] and UAnBR.FMD[3:0] bits. (Set transfer rate)
5. Set the following UAnCTL register bits:
 - Set the UAnCTL.SFTRST bit to 1. (Execute software reset)
 - Set the UAnCTL.MODEN bit to 1. (Enable UART Ch.*n* operations)
6. Set the following bits when using the interrupt:
 - Write 1 to the interrupt flags in the UAnINTF register. (Clear interrupt flags)
 - Set the interrupt enable bits in the UAnINTE register to 1. * (Enable interrupts)

* The initial value of the UAnINTF.TBEIF bit is 1, therefore, an interrupt will occur immediately after the UAnINTE.TBEIE bit is set to 1.

11.5.2 Data Transmission

A data sending procedure and the UART Ch.*n* operations are shown below. Figures 11.5.2.1 and 11.5.2.2 show a timing chart and a flowchart, respectively.

Data sending procedure

1. Check to see if the UAnINTF.TBEIF bit is set to 1 (transmit buffer empty).
2. Write transmit data to the UAnTXD register.
3. Wait for a UART interrupt when using the interrupt.
4. Repeat Steps 1 to 3 (or 1 and 2) until the end of transmit data.

UART data sending operations

The UART Ch.*n* starts data sending operations when transmit data is written to the UAnTXD register.

The transmit data in the UAnTXD register is automatically transferred to the shift register and the UAnINTF.TBEIF bit is set to 1 (transmit buffer empty).

The USOUT*n* pin outputs a start bit and the UAnINTF.TBSY bit is set to 1 (transmit busy). The shift register data bits are then output successively from the LSB. Following output of MSB, the parity bit (if parity is enabled) and the stop bit are output.

Even if transmit data is being output from the USOUT*n* pin, the next transmit data can be written to the UAnTXD register after making sure the UAnINTF.TBEIF bit is set to 1.

If no transmit data remains in the UAnTXD register after the stop bit has been output from the USOUT*n* pin, the UAnINTF.TBSY bit is cleared to 0 and the UAnINTF.TENDIF bit is set to 1 (transmission completed).

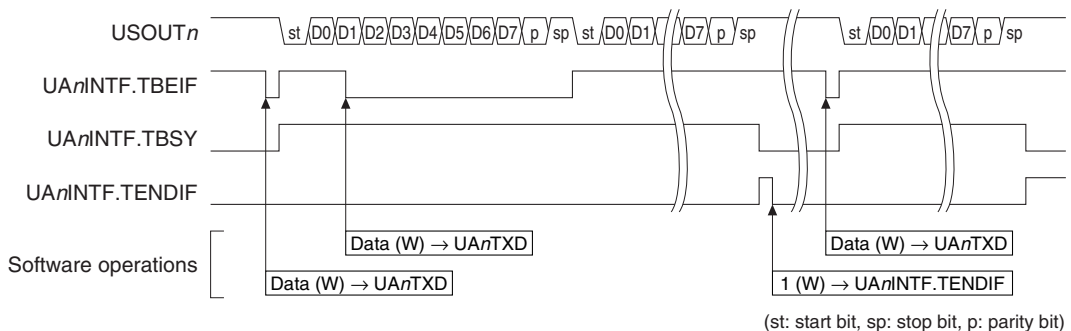


Figure 11.5.2.1 Example of Data Sending Operations

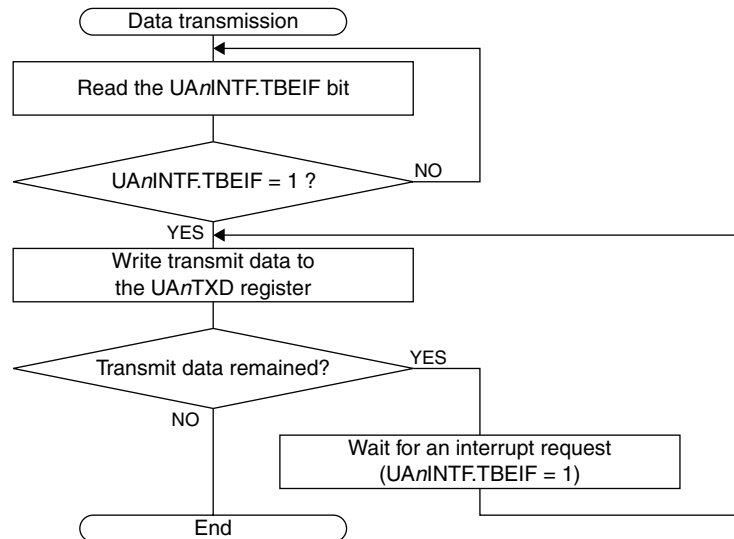


Figure 11.5.2.2 Data Transmission Flowchart

11.5.3 Data Reception

A data receiving procedure and the UART Ch.*n* operations are shown below. Figures 11.5.3.1 and 11.5.3.2 show a timing chart and flowcharts, respectively.

Data receiving procedure (read by one byte)

1. Wait for a UART interrupt when using the interrupt.
2. Check to see if the UAnINTF.RB1FIF bit is set to 1 (receive buffer one byte full).
3. Read the received data from the UAnRXD register.
4. Repeat Steps 1 to 3 (or 2 and 3) until the end of data reception.

Data receiving procedure (read by two bytes)

1. Wait for a UART interrupt when using the interrupt.
2. Check to see if the $UA_nINTF.RB2FIF$ bit is set to 1 (receive buffer two bytes full).
3. Read the received data from the UA_nRXD register twice.
4. Repeat Steps 1 to 3 (or 2 and 3) until the end of data reception.

UART data receiving operations

The UART Ch. n starts data receiving operations when a start bit is input to the $USIN_n$ pin.

After the receive circuit has detected a low level as a start bit, it starts sampling the following data bits and loads the received data into the receive shift register. The $UA_nINTF.RBSY$ bit is set to 1 when the start bit is detected.

The $UA_nINTF.RBSY$ bit is cleared to 0 and the receive shift register data is transferred to the receive data buffer at the stop bit receive timing.

The receive data buffer consists of a 2-byte FIFO and receives data until it becomes full. When the receive data buffer receives the first data, it sets the $UA_nINTF.RB1FIF$ bit to 1 (receive buffer one byte full). If the second data is received without reading the first data, the $UA_nINTF.RB2FIF$ bit is set to 1 (receive buffer two bytes full).

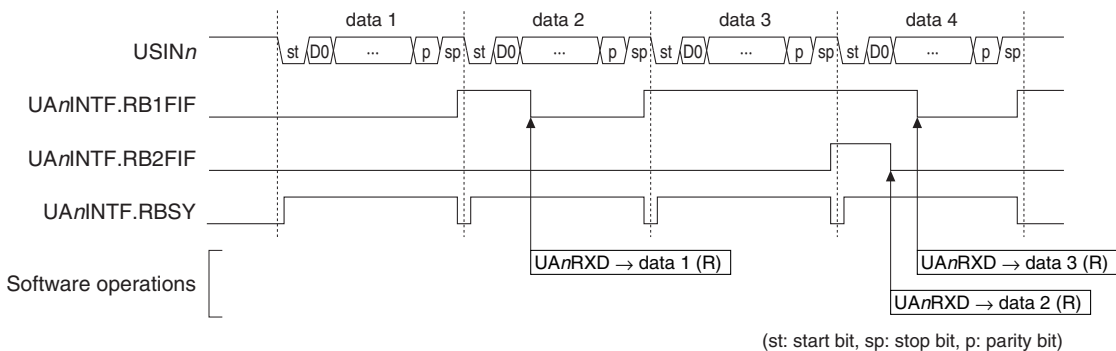


Figure 11.5.3.1 Example of Data Receiving Operations

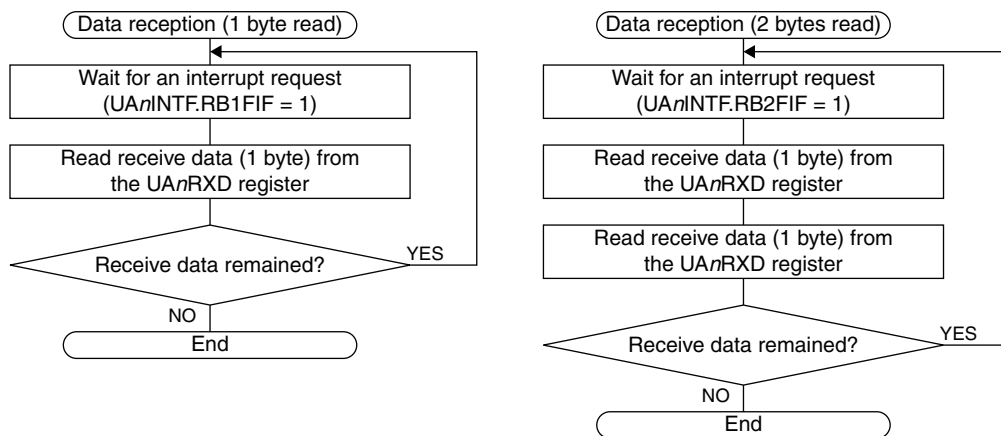


Figure 11.5.3.2 Data Reception Flowcharts

11.5.4 IrDA Interface

This UART includes an RZI modulator/demodulator circuit enabling implementation of IrDA 1.0-compatible infrared communication function simply by adding simple external circuits.

Set the $UA_nMOD.IRMD$ bit to 1 to use the IrDA interface.

Data transfer control is identical to that for normal interface even if the IrDA interface function is enabled.

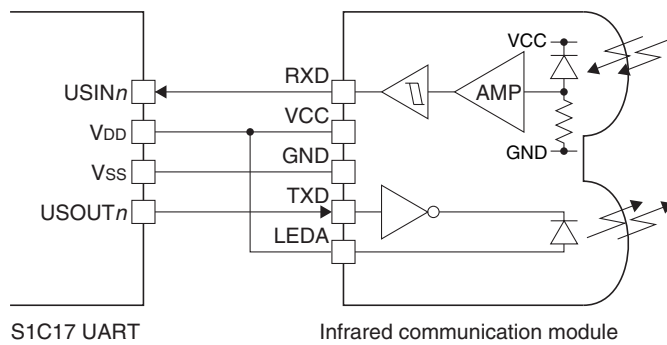


Figure 11.5.4.1 Example of Connections with an Infrared Communication Module

The transmit data output from the UART Ch. n transmit shift register is output from the USOUT n pin after the low pulse width is converted into $3/16$ by the RZI modulator in SIR method and inverted. The USOUT n pin output signal can be inverted by setting the UAnMOD.INVIRTX bit to 1.

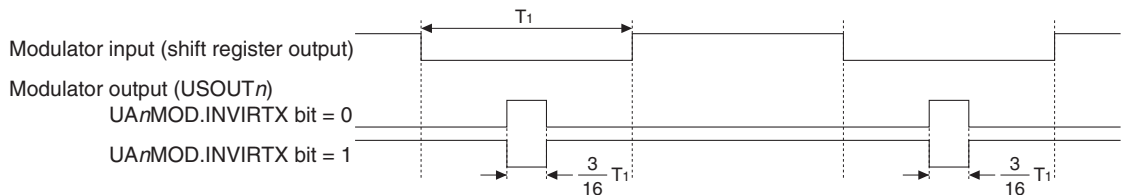


Figure 11.5.4.2 IrDA Transmission Signal Waveform

The received IrDA signal is input to the RZI demodulator and the low pulse width is converted into the normal width before input to the receive shift register. The USIN n pin input signal can be inverted prior to being demodulated by setting the UAnMOD.INVIRRX bit to 1.

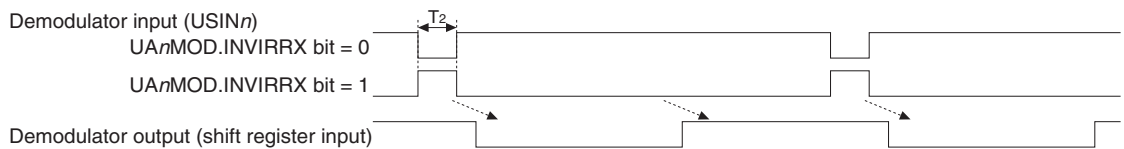


Figure 11.5.4.3 IrDA Receive Signal Waveform

Note: The low pulse width (T_2) of the IrDA signal input must be $\text{CLK_UART} \times 3$ cycles or longer.

11.6 Receive Errors

Three different receive errors, framing error, parity error, and overrun error, may be detected while receiving data. Since receive errors are interrupt causes, they can be processed by generating interrupts.

11.6.1 Framing Error

The UART determines loss of sync if a stop bit is not detected (when the stop bit is received as 0) and assumes that a framing error has occurred. The received data that encountered an error is still transferred to the receive data buffer and the UAnINTF.FEIF bit (framing error interrupt flag) is set to 1 when the data becomes ready to read from the UAnRXD register.

Note: Framing error/parity error interrupt flag set timings

These interrupt flags will be set after the data that encountered an error is transferred to the receive data buffer. Note, however, that the set timing depends on the buffer status at that point.

- When the receive data buffer is empty

The interrupt flag will be set when the data that encountered an error is transferred to the receive data buffer.

11 UART (UART)

- When the receive data buffer has a one-byte free space
The interrupt flag will be set when the first data byte already loaded is read out after the data that encountered an error is transferred to the second byte entry of the receive data buffer.

11.6.2 Parity Error

If the parity function is enabled, a parity check is performed when data is received. The UART checks matching between the data received in the shift register and its parity bit, and issues a parity error if the result is a non-match. The received data that encountered an error is still transferred to the receive data buffer and the $UA_nINTF.PEIF$ bit (parity error interrupt flag) is set to 1 when the data becomes ready to read from the UA_nRXD register (see the Note on framing error).

11.6.3 Overrun Error

If the receive data buffer is still full (two bytes of received data have not been read) when a data reception to the shift register has completed, an overrun error occurs as the data cannot be transferred to the receive data buffer. When an overrun error occurs, the $UA_nINTF.OEIF$ bit (overrun error interrupt flag) is set to 1.

11.7 Interrupts

The UART has a function to generate the interrupts shown in Table 11.7.1.

Table 11.7.1 UART Interrupt Function

Interrupt	Interrupt flag	Set condition	Clear condition
End of transmission	$UA_nINTF.TENDIF$	When the $UA_nINTF.TBEIF$ bit = 1 after the stop bit has been sent	Writing 1 or software reset
Framing error	$UA_nINTF.FEIF$	Refer to the "Receive Errors."	Writing 1, reading received data that encountered an error, or software reset
Parity error	$UA_nINTF.PEIF$	Refer to the "Receive Errors."	Writing 1, reading received data that encountered an error, or software reset
Overrun error	$UA_nINTF.OEIF$	Refer to the "Receive Errors."	Writing 1 or software reset
Receive buffer two bytes full	$UA_nINTF.RB2FIF$	When the second received data byte is loaded to the receive data buffer in which the first byte is already received	Reading received data or software reset
Receive buffer one byte full	$UA_nINTF.RB1FIF$	When the first received data byte is loaded to the emptied receive data buffer	Reading data to empty the receive data buffer or software reset
Transmit buffer empty	$UA_nINTF.TBEIF$	When transmit data written to the transmit data buffer is transferred to the shift register	Writing transmit data

The UART provides interrupt enable bits corresponding to each interrupt flag. An interrupt request is sent to the interrupt controller only when the interrupt flag, of which interrupt has been enabled by the interrupt enable bit, is set. For more information on interrupt control, refer to the "Interrupt Controller" chapter.

11.8 Control Registers

UART Ch.n Clock Control Register

Register name	Bit	Bit name	Initial	Reset	R/W	Remarks
UA_nCLK	15–9	–	0x00	–	R	–
	8	DBRUN	0	H0	R/W	
	7–6	–	0x0	–	R	
	5–4	CLKDIV[1:0]	0x0	H0	R/W	
	3–2	–	0x0	–	R	
	1–0	CLKSRC[1:0]	0x0	H0	R/W	

Bits 15–9 Reserved

Bit 8 DBRUN

This bit sets whether the UART operating clock is supplied in DEBUG mode or not.

1 (R/W): Clock supplied in DEBUG mode

0 (R/W): No clock supplied in DEBUG mode

Bits 7–6 Reserved

Bits 5–4 CLKDIV[1:0]

These bits select the division ratio of the UART operating clock.

Bits 3–2 Reserved

Bits 1–0 CLKSRC[1:0]

These bits select the clock source of the UART.

Table 11.8.1 Clock Source and Division Ratio Settings

UAnCLK. CLKDIV[1:0] bits	UAnCLK.CLKSRC[1:0] bits			
	0x0	0x1	0x2	0x3
	IOSC	OSC1	OSC3	EXOSC
0x3	1/8	1/1	1/8	1/1
0x2	1/4		1/4	
0x1	1/2		1/2	
0x0	1/1		1/1	

(Note) The oscillation circuits/external input that are not supported in this IC cannot be selected as the clock source.

Note: The UAnCLK register settings can be altered only when the UAnCTL.MODEN bit = 0.

UART Ch.n Mode Register

Register name	Bit	Bit name	Initial	Reset	R/W	Remarks
UAnMOD	15–10	–	0x00	–	R	–
	9	INVIRRX	0	H0	R/W	
	8	INVIRTX	0	H0	R/W	
	7	–	0	–	R	
	6	PUEN	0	H0	R/W	
	5	OUTMD	0	H0	R/W	
	4	IRMD	0	H0	R/W	
	3	CHLN	0	H0	R/W	
	2	PREN	0	H0	R/W	
	1	PRMD	0	H0	R/W	
0	STPB	0	H0	R/W		

Bits 15–10 Reserved

Bit 9 INVIRRX

This bit enables the USIN n input inverting function when the IrDA interface function is enabled.

1 (R/W): Enable input inverting function

0 (R/W): Disable input inverting function

Bit 8 INVIRTX

This bit enables the USOUT n output inverting function when the IrDA interface function is enabled.

1 (R/W): Enable output inverting function

0 (R/W): Disable output inverting function

Bit 7 Reserved

Bit 6 PUEN

This bit enables pull-up of the USIN n pin.

1 (R/W): Enable pull-up

0 (R/W): Disable pull-up

11 UART (UART)

Bit 5 OUTMD

This bit sets the USOUT n pin output mode.

1 (R/W): Open-drain output

0 (R/W): Push-pull output

Bit 4 IRMD

This bit enables the IrDA interface function.

1 (R/W): Enable IrDA interface function

0 (R/W): Disable IrDA interface function

Bit 3 CHLN

This bit sets the data length.

1 (R/W): 8 bits

0 (R/W): 7 bits

Bit 2 PREN

This bit enables the parity function.

1 (R/W): Enable parity function

0 (R/W): Disable parity function

Bit 1 PRMD

This bit selects either odd parity or even parity when using the parity function.

1 (R/W): Odd parity

0 (R/W): Even parity

Bit 0 STPB

This bit sets the stop bit length.

1 (R/W): 2 bits

0 (R/W): 1 bit

Note: The UAnMOD register settings can be altered only when the UAnCTL.MODEN bit = 0.

UART Ch. n Baud–Rate Register

Register name	Bit	Bit name	Initial	Reset	R/W	Remarks
UAnBR	15–12	–	0x0	–	R	–
	11–8	FMD[3:0]	0x0	H0	R/W	
	7–0	BRT[7:0]	0x00	H0	R/W	

Bits 15–12 Reserved

Bits 11–8 FMD[3:0]

Bits 7–0 BRT[7:0]

These bits set the UART transfer rate. For more information, refer to “Baud Rate Generator.”

Note: The UAnBR register settings can be altered only when the UAnCTL.MODEN bit = 0.

UART Ch. n Control Register

Register name	Bit	Bit name	Initial	Reset	R/W	Remarks
UAnCTL	15–8	–	0x00	–	R	–
	7–2	–	0x00	–	R	
	1	SFTRST	0	H0	R/W	
	0	MODEN	0	H0	R/W	

Bits 15–2 Reserved

Bit 1 SFTRST

This bit issues software reset to the UART.

1 (W): Issue software reset

0 (W): Ineffective

1 (R): Software reset is executing.

0 (R): Software reset has finished. (During normal operation)

Setting this bit resets the UART transmit/receive control circuit and interrupt flags. This bit is automatically cleared after the reset processing has finished.

Bit 0 MODEN

This bit enables the UART operations.

1 (R/W): Enable UART operations (The operating clock is supplied.)

0 (R/W): Disable UART operations (The operating clock is stopped.)

Note: If the $UA_nCTL.MODEN$ bit is altered from 1 to 0 during sending/receiving data, the data being sent/received cannot be guaranteed. When setting the $UA_nCTL.MODEN$ bit to 1 again after that, be sure to write 1 to the $UA_nCTL.SFTRST$ bit as well.

UART Ch.n Transmit Data Register

Register name	Bit	Bit name	Initial	Reset	R/W	Remarks
UA _n TXD	15–8	–	0x00	–	R	–
	7–0	TXD[7:0]	0x00	H0	R/W	

Bits 15–8 Reserved

Bits 7–0 TXD[7:0]

Data can be written to the transmit data buffer through these bits. Make sure the $UA_nINTF.TBEIF$ bit is set to 1 before writing data.

UART Ch.n Receive Data Register

Register name	Bit	Bit name	Initial	Reset	R/W	Remarks
UA _n RXD	15–8	–	0x00	–	R	–
	7–0	RXD[7:0]	0x00	H0	R	

Bits 15–8 Reserved

Bits 7–0 RXD[7:0]

The receive data buffer can be read through these bits. The receive data buffer consists of a 2-byte FIFO, and older received data is read first.

UART Ch.n Status and Interrupt Flag Register

Register name	Bit	Bit name	Initial	Reset	R/W	Remarks	
UA _n INTF	15–10	–	0x00	–	R	–	
	9	RBSY	0	H0/S0	R		
	8	TBSY	0	H0/S0	R		
	7	–	0	–	R		
	6	TENDIF	0	H0/S0	R/W		Cleared by writing 1.
	5	FEIF	0	H0/S0	R/W		Cleared by writing 1 or reading the
	4	PEIF	0	H0/S0	R/W		UA _n RXD register.
	3	OEIF	0	H0/S0	R/W		Cleared by writing 1.
	2	RB2FIF	0	H0/S0	R		Cleared by reading the UA _n RXD reg-
1	RB1FIF	0	H0/S0	R	ister.		
0	TBEIF	1	H0/S0	R	Cleared by writing to the UA _n TXD register.		

Bits 15–10 Reserved

11 UART (UART)

Bit 9 RBSY

This bit indicates the receiving status. (See Figure 11.5.3.1.)

1 (R): During receiving

0 (R): Idle

Bit 8 TBSY

This bit indicates the sending status. (See Figure 11.5.2.1.)

1 (R): During sending

0 (R): Idle

Bit 7 Reserved

Bit 6 TENDIF

Bit 5 FEIF

Bit 4 PEIF

Bit 3 OEIF

Bit 2 RB2FIF

Bit 1 RB1FIF

Bit 0 TBEIF

These bits indicate the UART interrupt cause occurrence status.

1 (R): Cause of interrupt occurred

0 (R): No cause of interrupt occurred

1 (W): Clear flag

0 (W): Ineffective

The following shows the correspondence between the bit and interrupt:

UAnINTF.TENDIF bit: End-of-transmission interrupt

UAnINTF.FEIF bit: Framing error interrupt

UAnINTF.PEIF bit: Parity error interrupt

UAnINTF.OEIF bit: Overrun error interrupt

UAnINTF.RB2FIF bit: Receive buffer two bytes full interrupt

UAnINTF.RB1FIF bit: Receive buffer one byte full interrupt

UAnINTF.TBEIF bit: Transmit buffer empty interrupt

UART Ch.n Interrupt Enable Register

Register name	Bit	Bit name	Initial	Reset	R/W	Remarks
UAnINTE	15–8	–	0x00	–	R	–
	7	–	0	–	R	
	6	TENDIE	0	H0	R/W	
	5	FEIE	0	H0	R/W	
	4	PEIE	0	H0	R/W	
	3	OEIE	0	H0	R/W	
	2	RB2FIE	0	H0	R/W	
	1	RB1FIE	0	H0	R/W	
	0	TBEIE	0	H0	R/W	

Bits 15–7 Reserved

Bit 6 TENDIE

Bit 5 FEIE

Bit 4 PEIE

Bit 3 OEIE

Bit 2 RB2FIE

Bit 1 RB1FIE

Bit 0 TBEIE

These bits enable UART interrupts.

1 (R/W): Enable interrupts

0 (R/W): Disable interrupts

The following shows the correspondence between the bit and interrupt:

UAnINTE.TENDIE bit: End-of-transmission interrupt

UAnINTE.FEIE bit: Framing error interrupt

UAnINTE.PEIE bit: Parity error interrupt

UAnINTE.OEIE bit: Overrun error interrupt

UAnINTE.RB2FIE bit: Receive buffer two bytes full interrupt

UAnINTE.RB1FIE bit: Receive buffer one byte full interrupt

UAnINTE.TBEIE bit: Transmit buffer empty interrupt

12 Synchronous Serial Interface (SPIA)

12.1 Overview

SPIA is a synchronous serial interface. The features of SPIA are listed below.

- Supports both master and slave modes.
- Data length: 2 to 16 bits programmable
- Either MSB first or LSB first can be selected for the data format.
- Clock phase and polarity are configurable.
- Supports full-duplex communications.
- Includes separated transmit data buffer and receive data buffer registers.
- Can generate receive buffer full, transmit buffer empty, end of transmission, and overrun interrupts.
- Master mode allows use of a 16-bit timer to set baud rate.
- Slave mode is capable of being operated with the external input clock $SPICLK_n$ only.
- Slave mode is capable of being operated in SLEEP mode allowing wake-up by an SPIA interrupt.
- Input pins can be pulled up/down with an internal resistor.

Figure 12.1.1 shows the SPIA configuration.

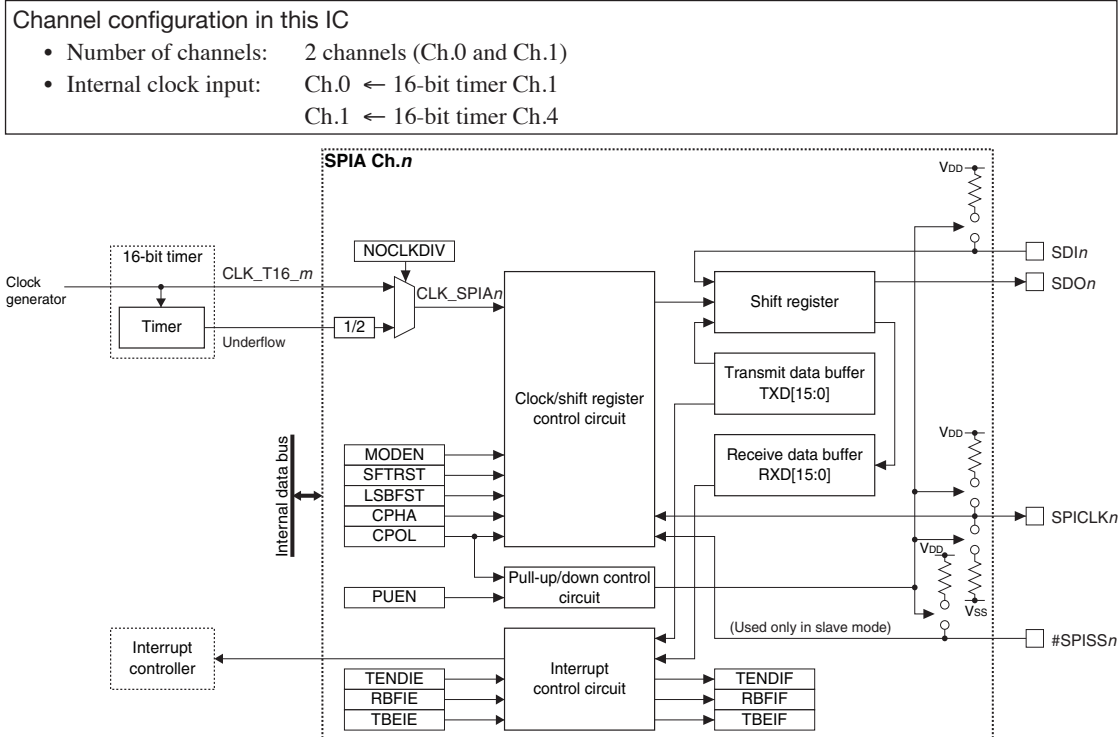


Figure 12.1.1 SPIA Configuration

12.2 Input/Output Pins and External Connections

12.2.1 List of Input/Output Pins

Table 12.2.1.1 lists the SPIA pins.

Table 12.2.1.1 List of SPIA Pins

Pin name	I/O*	Initial status*	Function
SDIn	I	I (Hi-Z)	SPIA Ch. <i>n</i> data input pin
SDOn	O or Hi-Z	Hi-Z	SPIA Ch. <i>n</i> data output pin
SPICLK _n	I or O	I (Hi-Z)	SPIA Ch. <i>n</i> external clock input/output pin
#SPISS _n	I	I (Hi-Z)	SPIA Ch. <i>n</i> slave select signal input pin

* Indicates the status when the pin is configured for SPIA.

If the port is shared with the SPIA pin and other functions, the SPIA input/output function must be assigned to the port before activating SPIA. For more information, refer to the “I/O Ports” chapter.

12.2.2 External Connections

SPIA operates in master mode or slave mode. Figures 12.2.2.1 and 12.2.2.2 show connection diagrams between SPIA in each mode and external SPI devices.

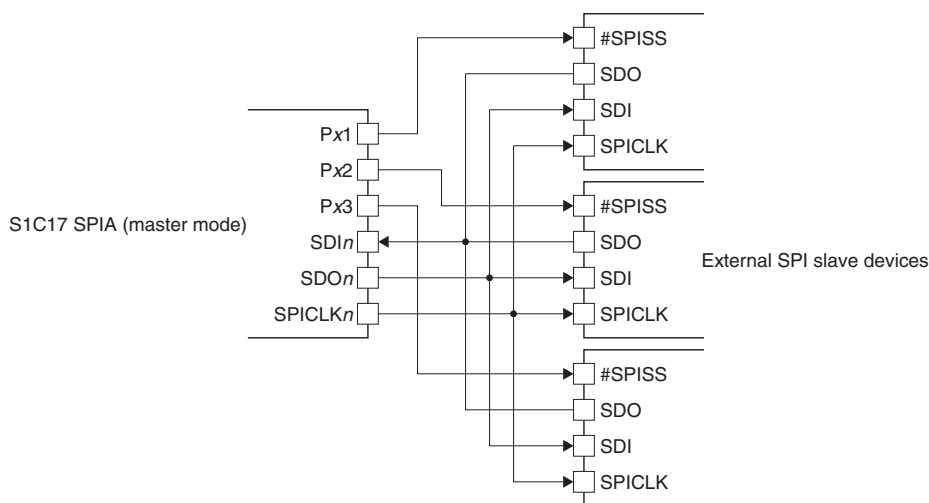


Figure 12.2.2.1 Connections between SPIA in Master Mode and External SPI Slave Devices

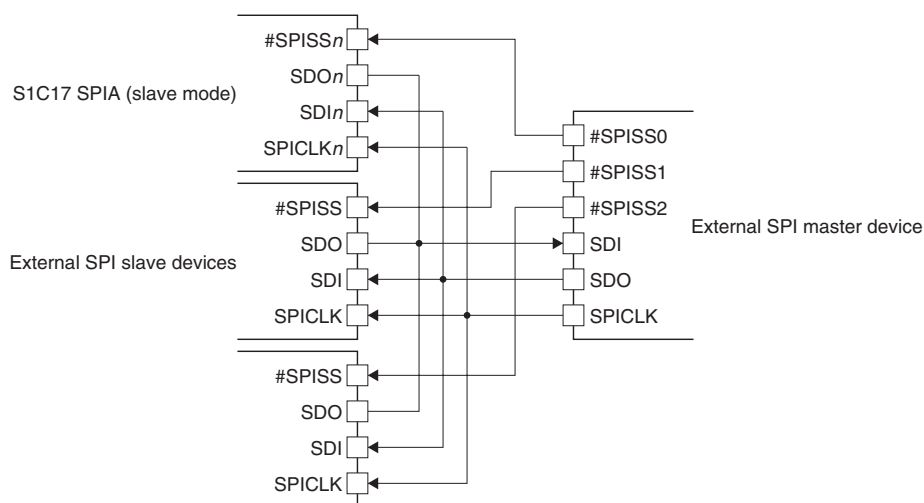


Figure 12.2.2.2 Connections between SPIA in Slave Mode and External SPI Master Device

12.2.3 Pin Functions in Master Mode and Slave Mode

The pin functions are changed according to the master or slave mode selection. The differences in pin functions between the modes are shown in Table 12.2.3.1.

Table 12.2.3.1 Pin Function Differences between Modes

Pin	Function in master mode	Function in slave mode
<i>SDIn</i>	Always placed into input state.	
<i>SDOn</i>	Always placed into output state.	This pin is placed into output state while a low level is applied to the # <i>SPISSn</i> pin or placed into Hi-Z state while a high level is applied to the # <i>SPISSn</i> pin.
<i>SPICLK_n</i>	Outputs the SPI clock to external devices. Output clock polarity and phase can be configured if necessary.	Inputs an external SPI clock. Clock polarity and phase can be designated according to the input clock.
# <i>SPISSn</i>	Not used. This input function is not required to be assigned to the port. To output the slave select signal in master mode, use a general-purpose I/O port function.	Applying a low level to the # <i>SPISSn</i> pin enables SPIA to transmit/receive data. While a high level is applied to this pin, SPIA is not selected as a slave device. Data input to the <i>SDIn</i> pin and the clock input to the <i>SPICLK_n</i> pin are ignored. When a high level is applied, the transmit/receive bit count is cleared to 0 and the already received bits are discarded.

12.2.4 Input Pin Pull-Up/Pull-Down Function

The SPIA input pins (*SDIn* in master mode or *SDIn*, *SPICLK_n*, and #*SPISSn* pins in slave mode) have a pull-up or pull-down function as shown in Table 12.2.4.1. This function is enabled by setting the *SPI_nMOD.PUEN* bit to 1.

Table 12.2.4.1 Pull-Up or Pull-Down of Input Pins

Pin	Master mode	Slave mode
<i>SDIn</i>	Pull-up	Pull-up
<i>SPICLK_n</i>	–	<i>SPI_nMOD.CPOL</i> bit = 1: Pull-up <i>SPI_nMOD.CPOL</i> bit = 0: Pull-down
# <i>SPISSn</i>	–	Pull-up

12.3 Clock Settings

12.3.1 SPIA Operating Clock

Operating clock in master mode

In master mode, the SPIA operating clock is supplied from the 16-bit timer. The following two options are provided for the clock configuration.

Use the 16-bit timer operating clock without dividing

By setting the *SPI_nMOD.NOCLKDIV* bit to 1, the operating clock *CLK_T16_m*, which is configured by selecting a clock source and a division ratio, for the 16-bit timer channel corresponding to the SPIA channel is input to SPIA as *CLK_SPIA_n*. Since this clock is also used as the SPI clock *SPICLK_n* without changing, the *CLK_SPIA_n* frequency becomes the baud rate.

To supply *CLK_SPIA_n* to SPIA, the 16-bit timer clock source must be enabled in the clock generator. Also the *T16_mCTL.MODEN* bit of the corresponding 16-bit timer channel must be set to 1. It does not matter how the *T16_mCTL.PRUN* bit is set (1 or 0).

When setting this mode, the timer function of the corresponding 16-bit timer channel may be used for another purpose.

Use the 16-bit timer as a baud rate generator

By setting the *SPI_nMOD.NOCLKDIV* bit to 0, SPIA inputs the underflow signal generated by the corresponding 16-bit timer channel and converts it to the *SPICLK_n*. The 16-bit timer must be run with an appropriate reload data set. The *SPICLK_n* frequency (baud rate) and the 16-bit timer reload data are calculated by the equations shown below.

12 SYNCHRONOUS SERIAL INTERFACE (SPIA)

$$f_{\text{SPICLK}} = \frac{f_{\text{CLK_SPIA}}}{2 \times (\text{RLD} + 1)} \qquad \text{RLD} = \frac{f_{\text{CLK_SPIA}}}{f_{\text{SPICLK}} \times 2} - 1 \qquad (\text{Eq. 12.1})$$

Where

f_{SPICLK} : SPICLK n frequency [Hz] (= baud rate [bps])

$f_{\text{CLK_SPIA}}$: SPIA operating clock frequency [Hz]

RLD: 16-bit timer reload data value

For controlling the 16-bit timer, refer to the “16-bit Timers” chapter.

Operating clock in slave mode

SPIA set in slave mode operates with the clock supplied from the external SPI master to the SPICLK n pin. The 16-bit timer channel (including the clock source selector and the divider) corresponding to the SPIA channel is not used. Furthermore, the SPI n MOD.NOCLKDIV bit setting becomes ineffective.

SPIA keeps operating using the clock supplied from the external SPI master even if all the internal clocks halt during SLEEP mode, so SPIA can receive data and can generate receive buffer full interrupts.

12.3.2 Clock Supply in DEBUG Mode

In master mode, the operating clock supply during DEBUG mode should be controlled using the T16 $_m$ CLK.DB-RUN bit.

The CLK_T16 $_m$ supply to SPIA Ch. n is suspended when the CPU enters DEBUG mode if the T16 $_m$ CLK.DB-RUN bit = 0. After the CPU returns to normal mode, the CLK_T16 $_m$ supply resumes. Although SPIA Ch. n stops operating when the CLK_T16 $_m$ supply is suspended, the output pins and registers retain the status before DEBUG mode was entered. If the T16 $_m$ CLK.DB-RUN bit = 1, the CLK_T16 $_m$ supply is not suspended and SPIA Ch. n will keep operating in DEBUG mode.

SPIA in slave mode operates with the external SPI master clock input from the SPICLK n pin regardless of whether the CPU is placed into DEBUG mode or normal mode.

12.3.3 SPI Clock (SPICLK n) Phase and Polarity

The SPICLK n phase and polarity can be configured separately using the SPI n MOD.CPHA bit and the SPI n MOD.CPOL bit, respectively. Figure 12.3.3.1 shows the clock waveform and data input/output timing in each setting.

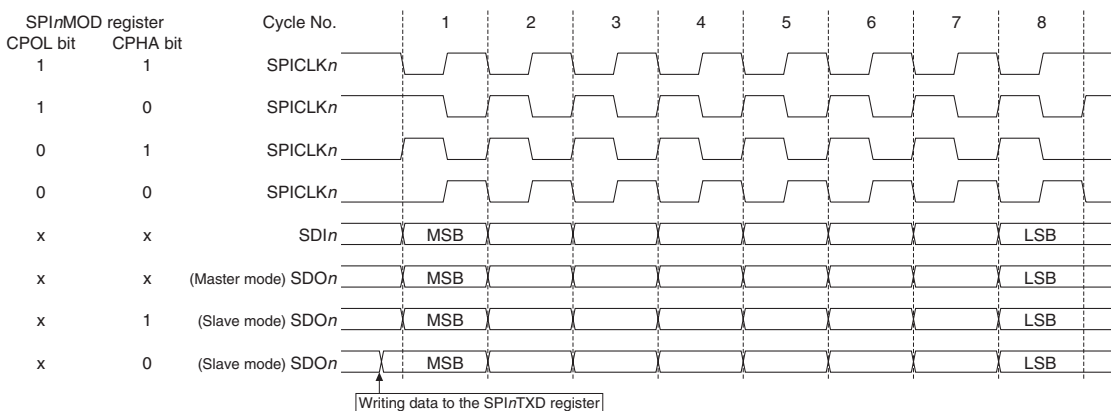


Figure 12.3.3.1 SPI Clock Phase and Polarity (SPI n MOD.LSBFST bit = 0, SPI n MOD.CHLN[3:0] bits = 0x7)

12.4 Data Format

The SPIA data length can be selected from 2 bits to 16 bits by setting the `SPInMOD.CHLN[3:0]` bits. The input/output permutation is configurable to MSB first or LSB first using the `SPInMOD.LSBFST` bit. Figure 12.4.1 shows a data format example when the `SPInMOD.CHLN[3:0]` bits = 0x7, the `SPInMOD.CPOL` bit = 0 and the `SPInMOD.CPHA` bit = 0.

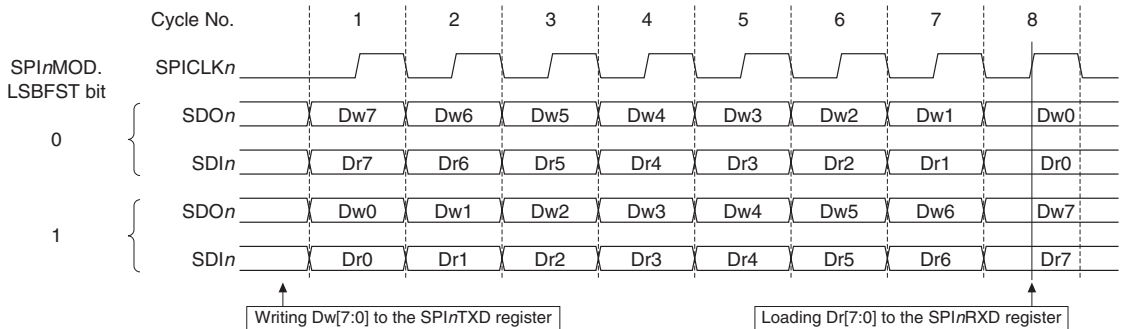


Figure 12.4.1 Data Format Selection Using the `SPInMOD.LSBFST` Bit
(`SPInMOD.CHLN[3:0]` bits = 0x7, `SPInMOD.CPOL` bit = 0, `SPInMOD.CPHA` bit = 0)

12.5 Operations

12.5.1 Initialization

SPIA Ch.*n* should be initialized with the procedure shown below.

- <Master mode only> Generate a clock by controlling the 16-bit timer and supply it to SPIA Ch.*n*.
- Configure the following `SPInMOD` register bits:
 - `SPInMOD.PUEN` bit (Enable input pin pull-up/down)
 - `SPInMOD.NOCLKDIV` bit (Select master mode operating clock)
 - `SPInMOD.LSBFST` bit (Select MSB first/LSB first)
 - `SPInMOD.CPHA` bit (Select clock phase)
 - `SPInMOD.CPOL` bit (Select clock polarity)
 - `SPInMOD.MST` bit (Select master/slave mode)
- Assign the SPIA Ch.*n* input/output function to the ports. (Refer to the “I/O Ports” chapter.)
- Set the following `SPInCTL` register bits:
 - Set the `SPInCTL.SFTRST` bit to 1. (Execute software reset)
 - Set the `SPInCTL.MODEN` bit to 1. (Enable SPIA Ch.*n* operations)
- Set the following bits when using the interrupt:
 - Write 1 to the interrupt flags in the `SPInINTF` register. (Clear interrupt flags)
 - Set the interrupt enable bits in the `SPInINTE` register to 1. * (Enable interrupts)

* The initial value of the `SPInINTF.TBEIF` bit is 1, therefore, an interrupt will occur immediately after the `SPInINTE.TBEIE` bit is set to 1.

12.5.2 Data Transmission in Master Mode

A data sending procedure and operations in master mode are shown below. Figures 12.5.2.1 and 12.5.2.2 show a timing chart and a flowchart, respectively.

Data sending procedure

- Assert the slave select signal by controlling the general-purpose output port (if necessary).
- Check to see if the `SPInINTF.TBEIF` bit is set to 1 (transmit buffer empty).
- Write transmit data to the `SPInTXD` register.

12 SYNCHRONOUS SERIAL INTERFACE (SPIA)

4. Wait for an SPIA interrupt when using the interrupt.
5. Repeat Steps 2 to 4 (or 2 and 3) until the end of transmit data.
6. Negate the slave select signal by controlling the general-purpose output port (if necessary).

Data sending operations

SPIA Ch.*n* starts data sending operations when transmit data is written to the SPI*n*TXD register.

The transmit data in the SPI*n*TXD register is automatically transferred to the shift register and the SPI*n*INTF.TBEIF bit is set to 1. If the SPI*n*INTE.TBEIE bit = 1 (transmit buffer empty interrupt enabled), a transmit buffer empty interrupt occurs at the same time.

The SPICLK*n* pin outputs clocks of the number of the bits specified by the SPI*n*MOD.CHLN[3:0] bits and the transmit data bits are output in sequence from the SDON pin in sync with these clocks.

Even if the clock is being output from the SPICLK*n* pin, the next transmit data can be written to the SPI*n*TXD register after making sure the SPI*n*INTF.TBEIF bit is set to 1.

If transmit data has not been written to the SPI*n*TXD register after the last clock is output from the SPICLK*n* pin, the clock output halts and the SPI*n*INTF.TENDIF bit is set to 1. At the same time SPIA issues an end-of-transmission interrupt request if the SPI*n*INTE.TENDIE bit = 1.

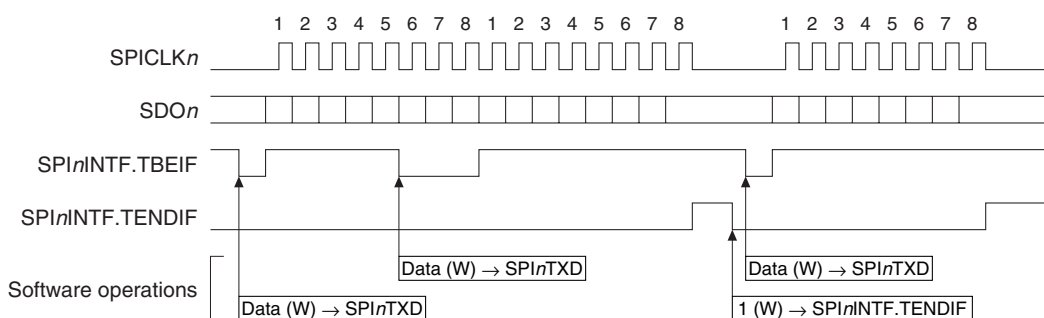


Figure 12.5.2.1 Example of Data Sending Operations in Master Mode (SPI*n*MOD.CHLN[3:0] bits = 0x7)

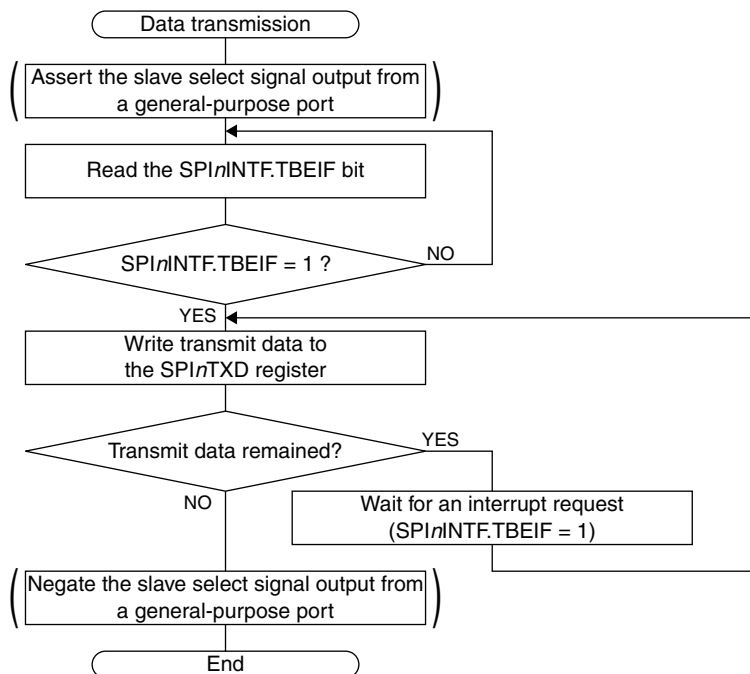


Figure 12.5.2.2 Data Transmission Flowchart in Master Mode

12.5.3 Data Reception in Master Mode

A data receiving procedure and operations in master mode are shown below. Figures 12.5.3.1 and 12.5.3.2 show a timing chart and flowcharts, respectively.

Data receiving procedure

1. Assert the slave select signal by controlling the general-purpose output port (if necessary).
2. Check to see if the $SPI_nINTF.TBEIF$ bit is set to 1 (transmit buffer empty).
3. Write dummy data (or transmit data) to the SPI_nTXD register.
4. Wait for a transmit buffer empty interrupt ($SPI_nINTF.TBEIF$ bit = 1).
5. Write dummy data (or transmit data) to the SPI_nTXD register.
6. Wait for a receive buffer full interrupt ($SPI_nINTF.RBFIF$ bit = 1).
7. Read the received data from the SPI_nRXD register.
8. Repeat Steps 5 to 7 until the end of data reception.
9. Negate the slave select signal by controlling the general-purpose output port (if necessary).

Note: To perform continuous data reception without stopping $SPICLK_n$, Steps 7 and 5 operations must be completed within the $SPICLK_n$ cycles equivalent to “Data bit length - 1” after Step 6.

Data receiving operations

SPIA Ch.n starts data receiving operations simultaneously with data sending operations when transmit data (may be dummy data if data transmission is not required) is written to the SPI_nTXD register.

The $SPICLK_n$ pin outputs clocks of the number of the bits specified by the $SPI_nMOD.CHLN[3:0]$ bits. The transmit data bits are output in sequence from the SDO_n pin in sync with these clocks and the receive data bits input from the SDI_n pin are shifted into the shift register.

When the last clock is output from the $SPICLK_n$ pin and receive data bits are all shifted into the shift register, the received data is transferred to the receive data buffer and the $SPI_nINTF.RBFIF$ bit is set to 1. At the same time SPIA issues a receive buffer full interrupt request if the $SPI_nINTE.RBFIE$ bit = 1. After that, the received data in the receive data buffer can be read through the SPI_nRXD register.

Note: If data of the number of the bits specified by the $SPI_nMOD.CHLN[3:0]$ bits is received when the $SPI_nINTF.RBFIF$ bit is set to 1, the SPI_nRXD register is overwritten with the newly received data and the previously received data is lost. In this case, the $SPI_nINTF.OEIF$ bit is set.

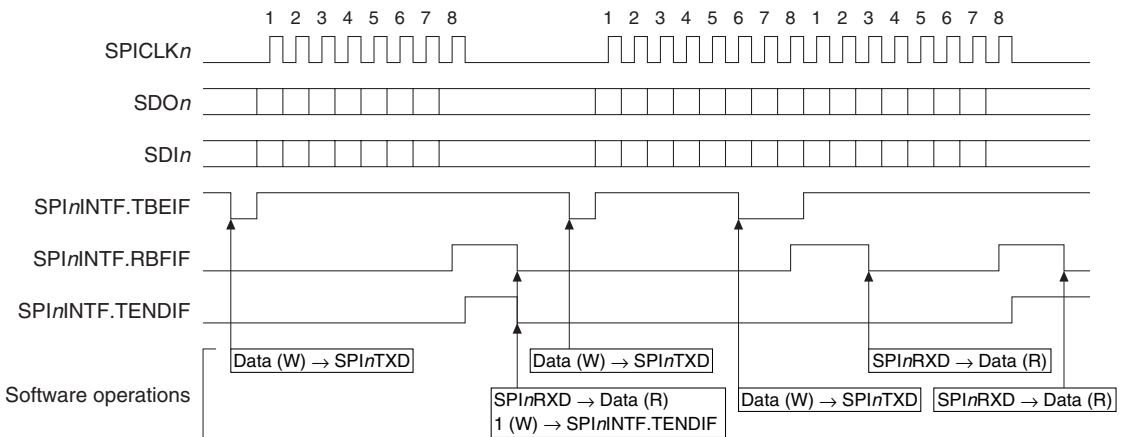


Figure 12.5.3.1 Example of Data Receiving Operations in Master Mode ($SPI_nMOD.CHLN[3:0]$ bits = 0x7)

12 SYNCHRONOUS SERIAL INTERFACE (SPIA)

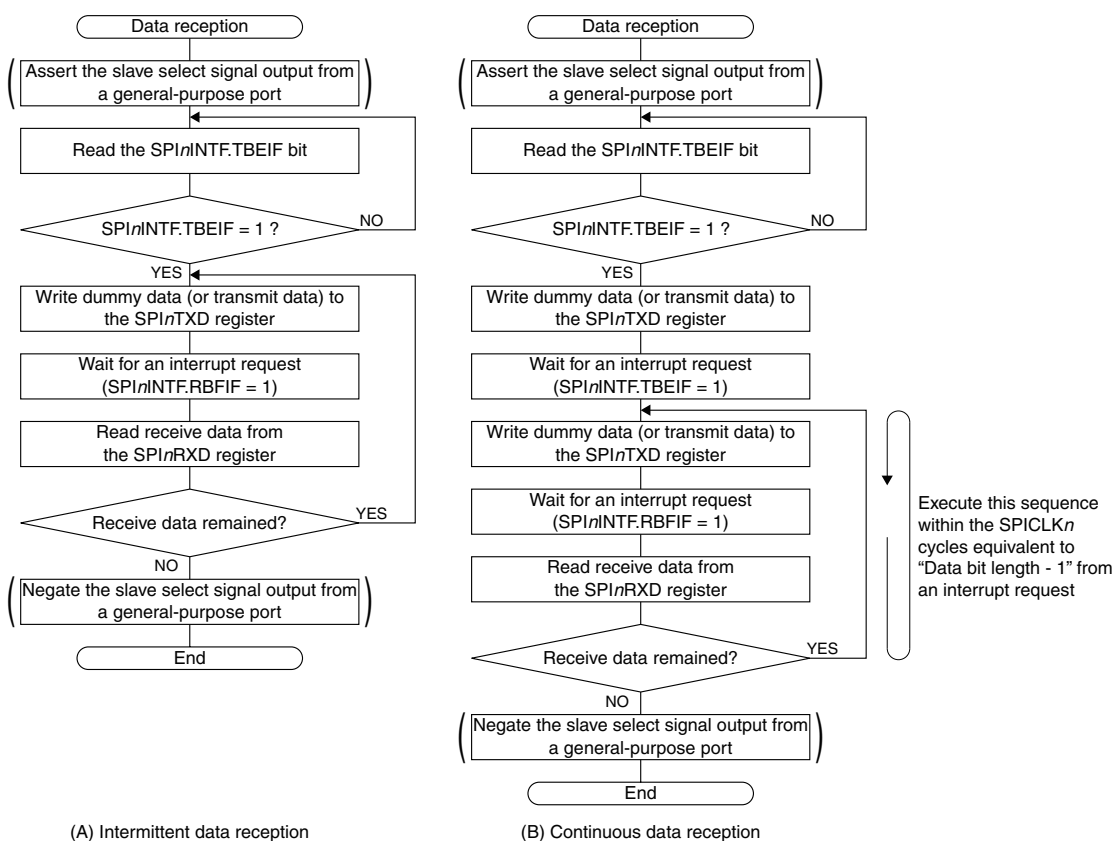


Figure 12.5.3.2 Data Reception Flowcharts in Master Mode

12.5.4 Terminating Data Transfer in Master Mode

A procedure to terminate data transfer in master mode is shown below.

1. Wait for an end-of-transmission interrupt ($SPI_nINTF.TENDIF$ bit = 1).
2. Set the $SPI_nCTL.MODEN$ bit to 0 to disable the SPIA Ch. n operations.
3. Stop the 16-bit timer to disable the clock supply to SPIA Ch. n .

12.5.5 Data Transfer in Slave Mode

A data sending/receiving procedure and operations in slave mode are shown below. Figures 12.5.5.1 and 12.5.5.2 show a timing chart and flowcharts, respectively.

Data sending procedure

1. Check to see if the $SPI_nINTF.TBEIF$ bit is set to 1 (transmit buffer empty).
2. Write transmit data to the SPI_nTXD register.
3. Wait for a transmit buffer empty interrupt ($SPI_nINTF.TBEIF$ bit = 1).
4. Repeat Steps 2 and 3 until the end of transmit data.

Note: Transmit data must be written to the SPI_nTXD register after the $SPI_nINTF.TBEIF$ bit is set to 1 by the time the sending SPI_nTXD register data written is completed. If no transmit data is written during this period, the data bits input from the $SDIn$ pin are shifted and output from the $SDOn$ pin without being modified.

Data receiving procedure

1. Wait for a receive buffer full interrupt ($SPI_nINTF.RBFIF$ bit = 1).
2. Read the received data from the SPI_nRXD register.
3. Repeat Steps 1 and 2 until the end of data reception.

Data transfer operations

The following shows the slave mode operations different from master mode:

- Slave mode operates with the SPI clock supplied from the external SPI master to the $SPICLK_n$ pin. The data transfer rate is determined by the $SPICLK_n$ frequency. It is not necessary to control the 16-bit timer.
- SPIA can operate as a slave device only when the slave select signal input from the external SPI master to the $\#SPISS_n$ pin is set to the active (low) level. If $\#SPISS_n = \text{high}$, the software transfer control, the $SPICLK_n$ pin input, and the SDI_n pin input are all ineffective. If the $\#SPISS_n$ signal goes high during data transfer, the transfer bit counter is cleared and data in the shift register is discarded.
- Slave mode starts data transfer when $SPICLK_n$ is input from the external SPI master after the $\#SPISS_n$ signal is asserted. Writing transmit data is not a trigger to start data transfer. Therefore, it is not necessary to write dummy data to the transmit data buffer when performing data reception only.
- Data transmission/reception can be performed even in SLEEP mode, it makes it possible to wake the CPU up using an SPIA interrupt.

Other operations are the same as master mode.

- Notes:**
- If data of the number of bits specified by the $SPI_nMOD.CHLN[3:0]$ bits is received when the $SPI_nINTF.RBFIF$ bit is set to 1, the SPI_nRXD register is overwritten with the newly received data and the previously received data is lost. In this case, the $SPI_nINTF.OEIF$ bit is set.
 - When the clock for the first bit is input from the $SPICLK_n$ pin, SPIA starts sending the data currently stored in the shift register even if the $SPI_nINTF.TBEIF$ bit is set to 1.

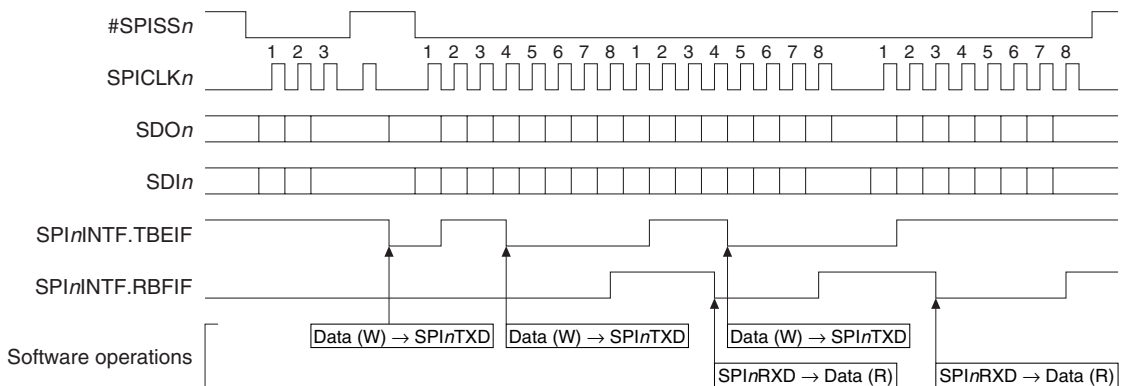


Figure 12.5.5.1 Example of Data Transfer Operations in Slave Mode ($SPI_nMOD.CHLN[3:0]$ bits = 0x7)

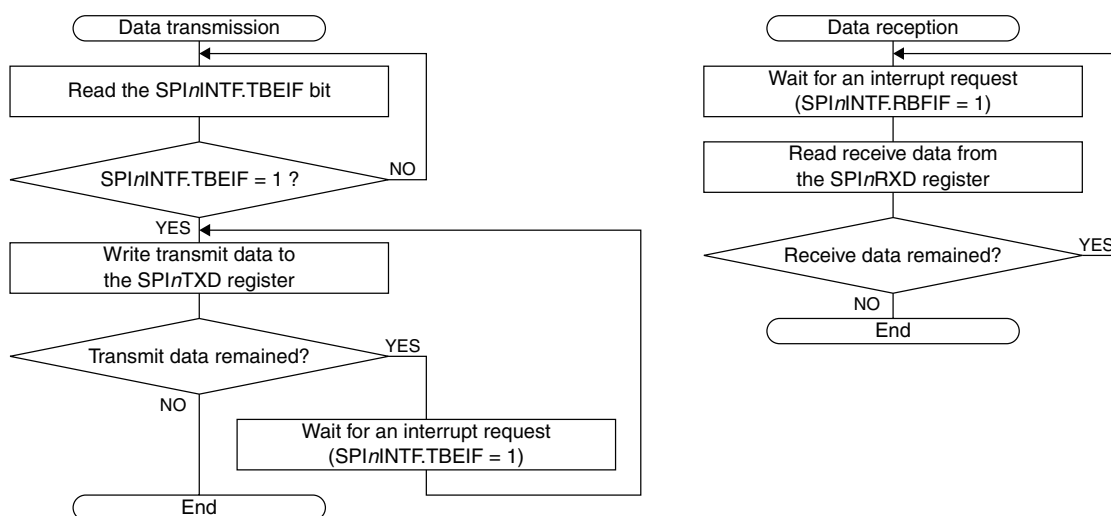


Figure 12.5.5.2 Data Transfer Flowcharts in Slave Mode

12.5.6 Terminating Data Transfer in Slave Mode

A procedure to terminate data transfer in slave mode is shown below.

1. Wait for an end-of-transmission interrupt (SPInINTF.TENDIF bit = 1). Or determine end of transfer via the received data.
2. Set the SPInCTL.MODEN bit to 0 to disable the SPIA Ch.n operations.

12.6 Interrupts

SPIA has a function to generate the interrupts shown in Table 12.6.1.

Table 12.6.1 SPIA Interrupt Function

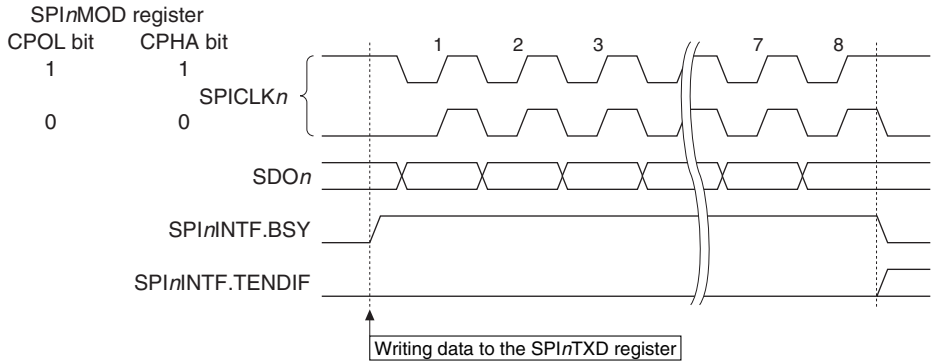
Interrupt	Interrupt flag	Set condition	Clear condition
End of transmission	SPInINTF.TENDIF	When the SPInINTF.TBEIF bit = 1 after data of the specified bit length (defined by the SPInMOD.CHLN[3:0] bits) has been sent	Writing 1
Receive buffer full	SPInINTF.RBFIF	When data of the specified bit length is received and the received data is transferred from the shift register to the received data buffer	Reading the SPInRXD register
Transmit buffer empty	SPInINTF.TBEIF	When transmit data written to the transmit data buffer is transferred to the shift register	Writing to the SPInTXD register
Overrun error	SPInINTF.OEIF	When the receive data buffer is full (when the received data has not been read) at the point that receiving data to the shift register has completed	Writing 1

SPIA provides interrupt enable bits corresponding to each interrupt flag. An interrupt request is sent to the interrupt controller only when the interrupt flag, of which interrupt has been enabled by the interrupt enable bit, is set. For more information on interrupt control, refer to the “Interrupt Controller” chapter.

The SPInINTF register also contains the BSY bit that indicates the SPIA operating status.

Figure 12.6.1 shows the SPInINTF.BSY and SPInINTF.TENDIF bit set timings.

Master mode



Slave mode

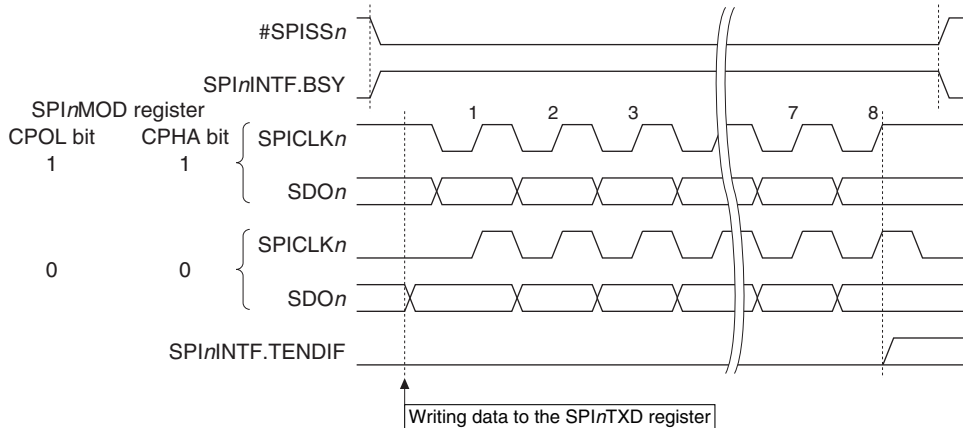


Figure 12.6.1 SPI_nINTF.BSY and SPI_nINTF.TENDIF Bit Set Timings (when SPI_nMOD.CHLN[3:0] bits = 0x7)

12.7 Control Registers

SPIA Ch.n Mode Register

Register name	Bit	Bit name	Initial	Reset	R/W	Remarks
SPI_nMOD	15–12	–	0x0	–	R	–
	11–8	CHLN[3:0]	0x7	H0	R/W	
	7–6	–	0x0	–	R	
	5	PUEN	0	H0	R/W	
	4	NOCLKDIV	0	H0	R/W	
	3	LSBFST	0	H0	R/W	
	2	CPHA	0	H0	R/W	
	1	CPOL	0	H0	R/W	
0	MST	0	H0	R/W		

Bits 15–12 Reserved

Bits 11–8 CHLN[3:0]

These bits set the bit length of transfer data.

Table 12.7.1 Data Bit Length Settings

SPI n MOD.CHLN[3:0] bits	Data bit length
0xf	16 bits
0xe	15 bits
0xd	14 bits
0xc	13 bits
0xb	12 bits
0xa	11 bits
0x9	10 bits
0x8	9 bits
0x7	8 bits
0x6	7 bits
0x5	6 bits
0x4	5 bits
0x3	4 bits
0x2	3 bits
0x1	2 bits
0x0	Setting prohibited

Bits 7–6 Reserved

Bit 5 PUEN

This bit enables pull-up/down of the input pins.

1 (R/W): Enable pull-up/down

0 (R/W): Disable pull-up/down

For more information, refer to “Input Pin Pull-Up/Pull-Down Function.”

Bit 4 NOCLKDIV

This bit selects SPICLK n in master mode. This setting is ineffective in slave mode.

1 (R/W): SPICLK n frequency = CLK_SPIA n frequency (= 16-bit timer operating clock frequency)

0 (R/W): SPICLK n frequency = 16-bit timer output frequency / 2

For more information, refer to “SPIA Operating Clock.”

Bit 3 LSBFST

This bit configures the data format (input/output permutation).

1 (R/W): LSB first

0 (R/W): MSB first

Bit 2 CPHA

Bit 1 CPOL

These bits set the SPI clock phase and polarity. For more information, refer to “SPI Clock (SPICLK n) Phase and Polarity.”

Bit 0 MST

This bit sets the SPIA operating mode (master mode or slave mode).

1 (R/W): Master mode

0 (R/W): Slave mode

Note: The SPI n MOD register settings can be altered only when the SPI n CTL.MODEN bit = 0.

SPIA Ch. n Control Register

Register name	Bit	Bit name	Initial	Reset	R/W	Remarks
SPI n CTL	15–8	–	0x00	–	R	–
	7–2	–	0x00	–	R	
	1	SFTRST	0	H0	R/W	
	0	MODEN	0	H0	R/W	

Bits 15–2 Reserved

Bit 1 SFTRST

This bit issues software reset to SPIA.

1 (W): Issue software reset

0 (W): Ineffective

1 (R): Software reset is executing.

0 (R): Software reset has finished. (During normal operation)

Setting this bit resets the SPIA shift register and transfer bit counter. This bit is automatically cleared after the reset processing has finished.

Bit 0 MODEN

This bit enables the SPIA operations.

1 (R/W): Enable SPIA operations (In master mode, the operating clock is supplied.)

0 (R/W): Disable SPIA operations (In master mode, the operating clock is stopped.)

Note: If the `SPI n CTL.MODEN` bit is altered from 1 to 0 during sending/receiving data, the data being sent/received cannot be guaranteed. When setting the `SPI n CTL.MODEN` bit to 1 again after that, be sure to write 1 to the `SPI n CTL.SFTRST` bit as well.

SPIA Ch. n Transmit Data Register

Register name	Bit	Bit name	Initial	Reset	R/W	Remarks
<code>SPInTXD</code>	15-0	<code>TXD[15:0]</code>	0x0000	H0	R/W	–

Bits 15-0 TXD[15:0]

Data can be written to the transmit data buffer through these bits.

In master mode, writing to these bits starts data transfer.

Transmit data can be written when the `SPI n INTF.TBEIF` bit = 1 regardless of whether data is being output from the `SDOn` pin or not.

Note that the upper data bits that exceed the data bit length configured by the `SPI n MOD.CHNLN[3:0]` bits will not be output from the `SDOn` pin.

Note: Be sure to avoid writing to the `SPI n TXD` register when the `SPI n INTF.TBEIF` bit = 0. Otherwise, transfer data cannot be guaranteed.

SPIA Ch. n Receive Data Register

Register name	Bit	Bit name	Initial	Reset	R/W	Remarks
<code>SPInRXD</code>	15-0	<code>RXD[15:0]</code>	0x0000	H0	R	–

Bits 15-0 RXD[15:0]

The receive data buffer can be read through these bits. Received data can be read when the `SPI n INTF.RBFIF` bit = 1 regardless of whether data is being input from the `SDIn` pin or not. Note that the upper

bits that exceed the data bit length configured by the `SPI n MOD.CHNLN[3:0]` bits become 0.

Note: The `SPI n RXD.RXD[15:0]` bits are cleared to 0x0000 when 1 is written to the `SPI n CTL.MODEN` bit or the `SPI n CTL.SFTRST` bit.

SPIA Ch. n Interrupt Flag Register

Register name	Bit	Bit name	Initial	Reset	R/W	Remarks
<code>SPInINTF</code>	15-8	–	0x00	–	R	–
	7	<code>BSY</code>	0	H0	R	
	6-4	–	0x0	–	R	
	3	<code>OEIF</code>	0	H0/S0	R/W	Cleared by writing 1.
	2	<code>TENDIF</code>	0	H0/S0	R/W	
	1	<code>RBFIF</code>	0	H0/S0	R	Cleared by reading the <code>SPInRXD</code> register.
	0	<code>TBEIF</code>	1	H0/S0	R	Cleared by writing to the <code>SPInTXD</code> register.

12 SYNCHRONOUS SERIAL INTERFACE (SPIA)

Bits 15–8 Reserved

Bit 7 BSY

This bit indicates the SPIA operating status.

1 (R): Transmit/receive busy (master mode), #SPISS n = Low level (slave mode)

0 (R): Idle

Bits 6–4 Reserved

Bit 3 OEIF

Bit 2 TENDIF

Bit 1 RBFIF

Bit 0 TBEIF

These bits indicate the SPIA interrupt cause occurrence status.

1 (R): Cause of interrupt occurred

0 (R): No cause of interrupt occurred

1 (W): Clear flag (OEIF, TENDIF)

0 (W): Ineffective

The following shows the correspondence between the bit and interrupt:

SPI n INTF.OEIF bit: Overrun error interrupt

SPI n INTF.TENDIF bit: End-of-transmission interrupt

SPI n INTF.RBFIF bit: Receive buffer full interrupt

SPI n INTF.TBEIF bit: Transmit buffer empty interrupt

SPIA Ch. n Interrupt Enable Register

Register name	Bit	Bit name	Initial	Reset	R/W	Remarks
SPI n INTE	15–8	–	0x00	–	R	–
	7–4	–	0x0	–	R	
	3	OEIE	0	H0	R/W	
	2	TENDIE	0	H0	R/W	
	1	RBFIE	0	H0	R/W	
	0	TBEIE	0	H0	R/W	

Bits 15–4 Reserved

Bit 3 OEIE

Bit 2 TENDIE

Bit 1 RBFIE

Bit 0 TBEIE

These bits enable SPIA interrupts.

1 (R/W): Enable interrupts

0 (R/W): Disable interrupts

The following shows the correspondence between the bit and interrupt:

SPI n INTE.OEIE bit: Overrun error interrupt

SPI n INTE.TENDIE bit: End-of-transmission interrupt

SPI n INTE.RBFIE bit: Receive buffer full interrupt

SPI n INTE.TBEIE bit: Transmit buffer empty interrupt

13 I²C (I2C)

13.1 Overview

The I2C is a subset of the I²C bus interface. The features of the I2C are listed below.

- Functions as an I²C bus master (single master) or a slave device.
- Supports standard mode (up to 100 kbit/s) and fast mode (up to 400 kbit/s).
- Supports 7-bit and 10-bit address modes.
- Supports clock stretching.
- Includes a baud rate generator for generating the clock in master mode.
- No clock source is required to run the I2C in slave mode, as it can run with the I²C bus signals only.
- Slave mode is capable of being operated in SLEEP mode allowing wake-up by an interrupt when an address match is detected.
- Master mode supports automatic bus clear sending function.
- Can generate receive buffer full, transmit buffer empty, and other interrupts.

Figure 13.1.1 shows the I2C configuration.

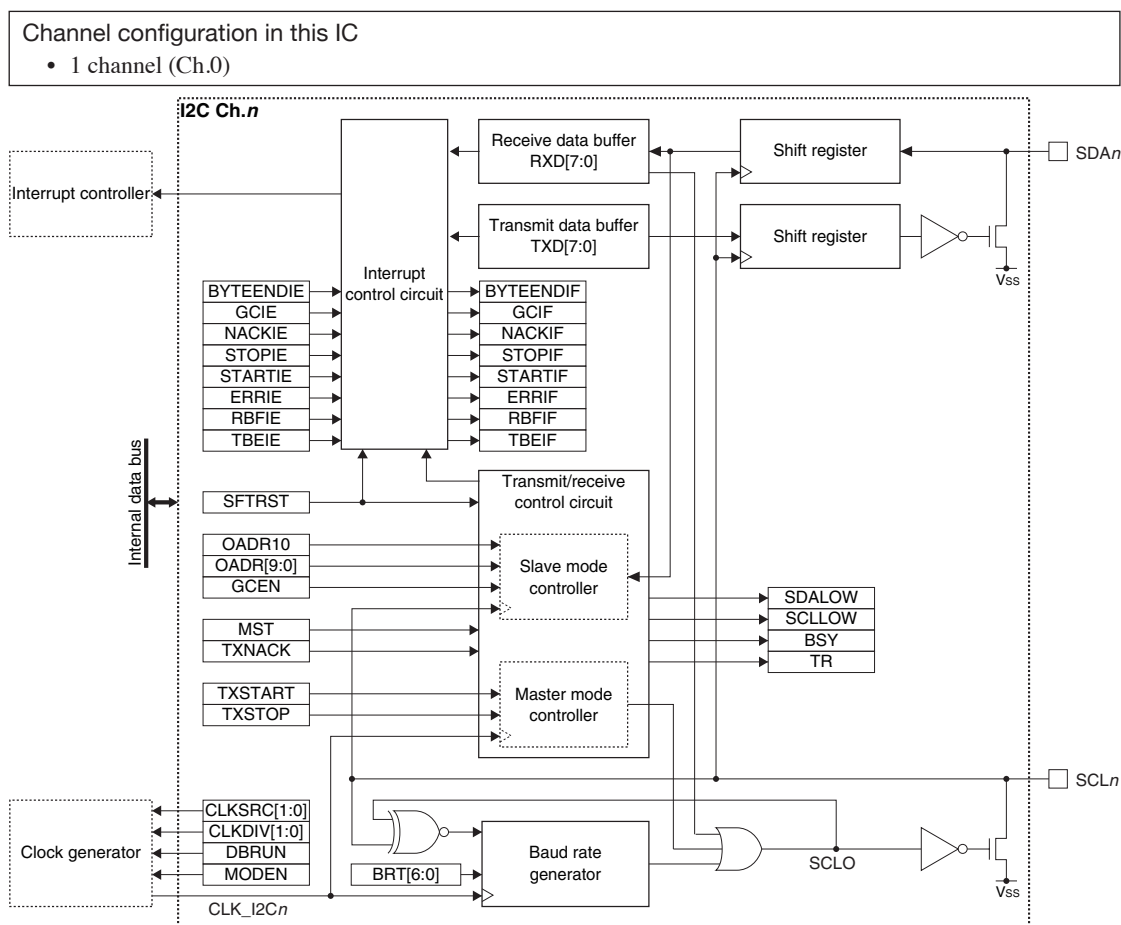


Figure 13.1.1 I2C Configuration

13.2 Input/Output Pins and External Connections

13.2.1 List of Input/Output Pins

Table 13.2.1.1 lists the I²C pins.

Table 13.2.1.1 List of I²C Pins

Pin name	I/O*	Initial status*	Function
SDA _n	I/O	I	I ² C bus serial data input/output pin
SCL _n	I/O	I	I ² C bus clock input/output pin

* Indicates the status when the pin is configured for the I²C.

If the port is shared with the I²C pin and other functions, the I²C input/output function must be assigned to the port before activating the I²C. For more information, refer to the “I/O Ports” chapter.

13.2.2 External Connections

Figure 13.2.2.1 shows a connection diagram between the I²C in this IC and external I²C devices.

The serial data (SDA) and serial clock (SCL) lines must be pulled up with an external resistor.

When the I²C is set into master mode, one or more slave devices that have a unique address may be connected to the I²C bus. When the I²C is set into slave mode, one or more master and slave devices that have a unique address may be connected to the I²C bus.

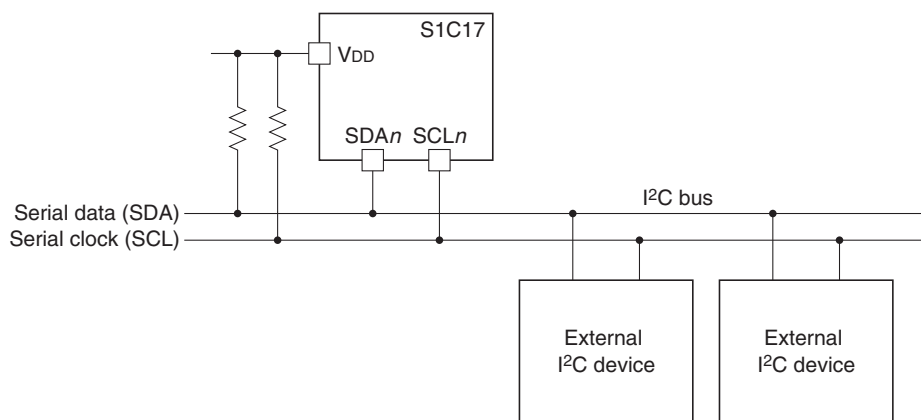


Figure 13.2.2.1 Connections between I²C and External I²C Devices

- Notes:**
- The SDA and SCL lines must be pulled up to a V_{DD} of this IC or lower voltage. However, if the I²C input/output ports are configured with the over voltage tolerant fail-safe type I/O, these lines can be pulled up to a voltage exceeding the V_{DD} of this IC but within the recommended operating voltage range of this IC.
 - The internal pull-up resistors for the I/O ports cannot be used for pulling up SDA and SCL.
 - When the I²C is set into master mode, no other master device can be connected to the I²C bus.

13.3 Clock Settings

13.3.1 I2C Operating Clock

Master mode operating clock

When using the I2C Ch.*n* in master mode, the I2C Ch.*n* operating clock CLK_I2C*n* must be supplied to the I2C Ch.*n* from the clock generator. The CLK_I2C*n* supply should be controlled as in the procedure shown below.

1. Enable the clock source in the clock generator if it is stopped (refer to “Clock Generator” in the “Power Supply, Reset, and Clocks” chapter).
2. Set the following I2C*n*CLK register bits:
 - I2C*n*CLK.CLKSRC[1:0] bits (Clock source selection)
 - I2C*n*CLK.CLKDIV[1:0] bits (Clock division ratio selection = Clock frequency setting)

When using the I2C in master mode during SLEEP mode, the I2C Ch.*n* operating clock CLK_I2C*n* must be configured so that it will keep supplying by writing 0 to the CLGOSC.xxxxSLPC bit for the CLK_I2C*n* clock source.

The I2C operating clock should be selected so that the baud rate generator will be configured easily.

Slave mode operating clock

The I2C set to slave mode uses the SCL supplied from the I²C master as its operating clock. The clock setting by the I2C*n*CLK register is ineffective.

The I2C keeps operating using the clock supplied from the external I²C master even if all the internal clocks halt during SLEEP mode, so the I2C can receive data and can generate receive buffer full interrupts.

13.3.2 Clock Supply in DEBUG Mode

In master mode, the CLK_I2C*n* supply during DEBUG mode should be controlled using the I2C*n*CLK.DBRUN bit. The CLK_I2C*n* supply to the I2C Ch.*n* is suspended when the CPU enters DEBUG mode if the I2C*n*CLK.DBRUN bit = 0. After the CPU returns to normal mode, the CLK_I2C*n* supply resumes. Although the I2C Ch.*n* stops operating when the CLK_I2C*n* supply is suspended, the output pin and registers retain the status before DEBUG mode was entered. If the I2C*n*CLK.DBRUN bit = 1, the CLK_I2C*n* supply is not suspended and the I2C Ch.*n* will keep operating in DEBUG mode.

In slave mode, the I2C Ch.*n* operates with the external I²C master clock input from the SCL*n* pin regardless of whether the CPU is placed into DEBUG mode or normal mode.

13.3.3 Baud Rate Generator

The I2C includes a baud rate generator to generate the serial clock SCL used in master mode. The I2C set to slave mode does not use the baud rate generator, as it operates with the serial clock input from the SCL*n* pin.

Setting data transfer rate (for master mode)

The transfer rate is determined by the I2C*n*BR.BRT[6:0] bit settings. Use the following equations to calculate the setting values for obtaining the desired transfer rate.

$$\text{bps} = \frac{f_{\text{CLK_I2C}n}}{(\text{BRT} + 3) \times 2} \qquad \text{BRT} = \frac{f_{\text{CLK_I2C}n}}{\text{bps} \times 2} - 3 \qquad (\text{Eq. 13.1})$$

Where

- bps: Data transfer rate [bit/s]
- f_{CLK_I2C*n*}: I2C operating clock frequency [Hz]
- BRT: I2C*n*BR.BRT[6:0] bits setting value (1 to 127)

* The equations above do not include SCL rising/falling time and delay time by clock stretching (see Figure 13.3.3.1).

Note: The I²C bus transfer rate is limited to 100 kbit/s in standard mode or 400 kbit/s in fast mode. Do not set a transfer rate exceeding the limit.

Baud rate generator clock output and operations for supporting clock stretching

Figure 13.3.3.1 shows the clock generated by the baud rate generator and the clock waveform on the I²C bus.

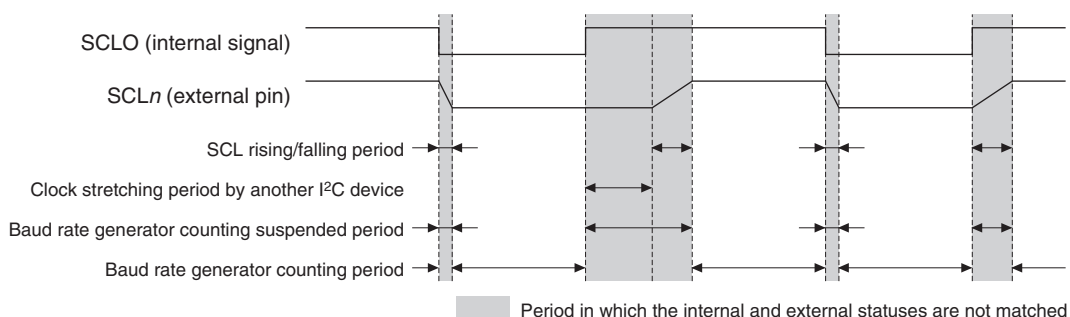


Figure 13.3.3.1 Baud Rate Generator Output Clock and SCL_n Output Waveform

The baud rate generator output clock SCLO is compared with the SCL_n pin status and the results are returned to the baud rate generator. If a mismatch has occurred between SCLO and SCL_n pin levels, the baud rate generator suspends counting. This extends the clock to control data transfer during the SCL signal rising/falling period and clock stretching period in which SCL is fixed at low by a slave device.

13.4 Operations

13.4.1 Initialization

The I²C Ch.*n* should be initialized with the procedure shown below.

When using the I²C in master mode

1. Configure the operating clock and the baud rate generator using the I2CnCLK and I2CnBR registers.
2. Assign the I²C Ch.*n* input/output function to the ports. (Refer to the “I/O Ports” chapter.)
3. Set the following bits when using the interrupt:
 - Write 1 to the interrupt flags in the I2CnINTF register. (Clear interrupt flags)
 - Set the interrupt enable bits in the I2CnINTE register to 1. (Enable interrupts)
4. Set the following I2CnCTL register bits:
 - Set the I2CnCTL.MST bit to 1. (Set master mode)
 - Set the I2CnCTL.SFTRST bit to 1. (Execute software reset)
 - Set the I2CnCTL.MODEN bit to 1. (Enable I²C Ch.*n* operations)

When using the I²C in slave mode

1. Set the following I2CnMOD register bits:
 - I2CnMOD.OADR10 bit (Set 10/7-bit address mode)
 - I2CnMOD.GCEN bit (Enable response to general call address)
2. Set its own address to the I2CnOADR.OADR[9:0] (or OADR[6:0]) bits.
3. Assign the I²C Ch.*n* input/output function to the ports. (Refer to the “I/O Ports” chapter.)
4. Set the following bits when using the interrupt:
 - Write 1 to the interrupt flags in the I2CnINTF register. (Clear interrupt flags)
 - Set the interrupt enable bits in the I2CnINTE register to 1. (Enable interrupts)
5. Set the following I2CnCTL register bits:
 - Set the I2CnCTL.MST bit to 0. (Set slave mode)
 - Set the I2CnCTL.SFTRST bit to 1. (Execute software reset)
 - Set the I2CnCTL.MODEN bit to 1. (Enable I²C Ch.*n* operations)

13.4.2 Data Transmission in Master Mode

A data sending procedure in master mode and the I2C Ch.*n* operations are shown below. Figures 13.4.2.1 and 13.4.2.2 show an operation example and a flowchart, respectively.

Data sending procedure

1. Issue a START condition by setting the I2CnCTL.TXSTART bit to 1.
2. Wait for a transmit buffer empty interrupt (I2CnINTF.TBEIF bit = 1) or a START condition interrupt (I2CnINTF.STARTIF bit = 1).
Clear the I2CnINTF.STARTIF bit by writing 1 after the interrupt has occurred.
3. Write the 7-bit slave address to the I2CnTXD.TXD[7:1] bits and 0 that represents WRITE as the data transfer direction to the I2CnTXD.TXD0 bit.
4. Wait for a transmit buffer empty interrupt (I2CnINTF.TBEIF bit = 1) generated when an ACK is received or a NACK reception interrupt (I2CnINTF.NACKIF bit = 1) generated when a NACK is received.
 - i. Go to Step 5 if transmit data remains when a transmit buffer empty interrupt has occurred.
 - ii. Go to Step 7 or 1 after clearing the I2CnINTF.NACKIF bit when a NACK reception interrupt has occurred.
5. Write transmit data to the I2CnTXD register.
6. Repeat Steps 4 and 5 until the end of transmit data.
7. Issue a STOP condition by setting the I2CnCTL.TXSTOP bit to 1.
8. Wait for a STOP condition interrupt (I2CnINTF.STOPIF bit = 1).
Clear the I2CnINTF.STOPIF bit by writing 1 after the interrupt has occurred.

Data sending operations

Generating a START condition

The I2C Ch.*n* starts generating a START condition when the I2CnCTL.TXSTART bit is set to 1. When the generating operation has completed, the I2C Ch.*n* clears the I2CnCTL.TXSTART bit to 0 and sets both the I2CnINTF.STARTIF and I2CnINTF.TBEIF bits to 1.

Sending slave address and data

If the I2CnINTF.TBEIF bit = 1, a slave address or data can be written to the I2CnTXD register. The I2C Ch.*n* pulls down SCL to low and enters standby state until data is written to the I2CnTXD register. The writing operation triggers the I2C Ch.*n* to send the data to the shift register automatically and to output eight clock pulses and data bits to the I²C bus.

When the slave device returns an ACK as the response, the I2CnINTF.TBEIF bit is set to 1. After this interrupt occurs, the subsequent data may be sent or a STOP/repeated START condition may be issued to terminate transmission. If the slave device returns NACK, the I2CnINTF.NACKIF bit is set to 1 without setting the I2CnINTF.TBEIF bit.

Generating a STOP/repeated START condition

After the I2CnINTF.TBEIF bit is set to 1 (transmit buffer empty) or the I2CnINTF.NACKIF bit is set to 1 (NACK received), setting the I2CnCTL.TXSTOP bit to 1 generates a STOP condition. When the bus free time (t_{BUF} defined in the I²C Specifications) has elapsed after the STOP condition has been generated, the I2CnCTL.TXSTOP bit is cleared to 0 and the I2CnINTF.STOPIF bit is set to 1.

When setting the I2CnCTL.TXSTART bit to 1 while the I2CnINTF.TBEIF bit = 1 (transmit buffer empty) or the I2CnINTF.NACKIF bit = 1 (NACK received), the I2C Ch.*n* generates a repeated START condition. When the repeated START condition has been generated, the I2CnINTF.STARTIF and I2CnINTF.TBEIF bits are both set to 1 same as when a START condition has been generated.

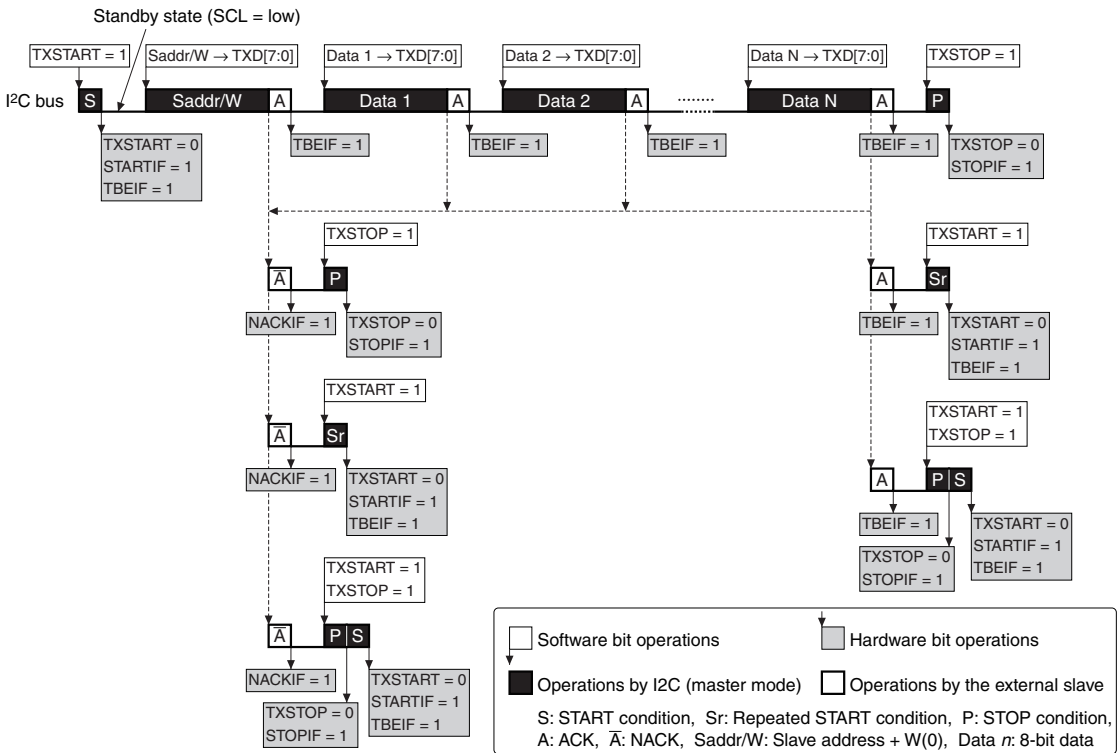


Figure 13.4.2.1 Example of Data Sending Operations in Master Mode

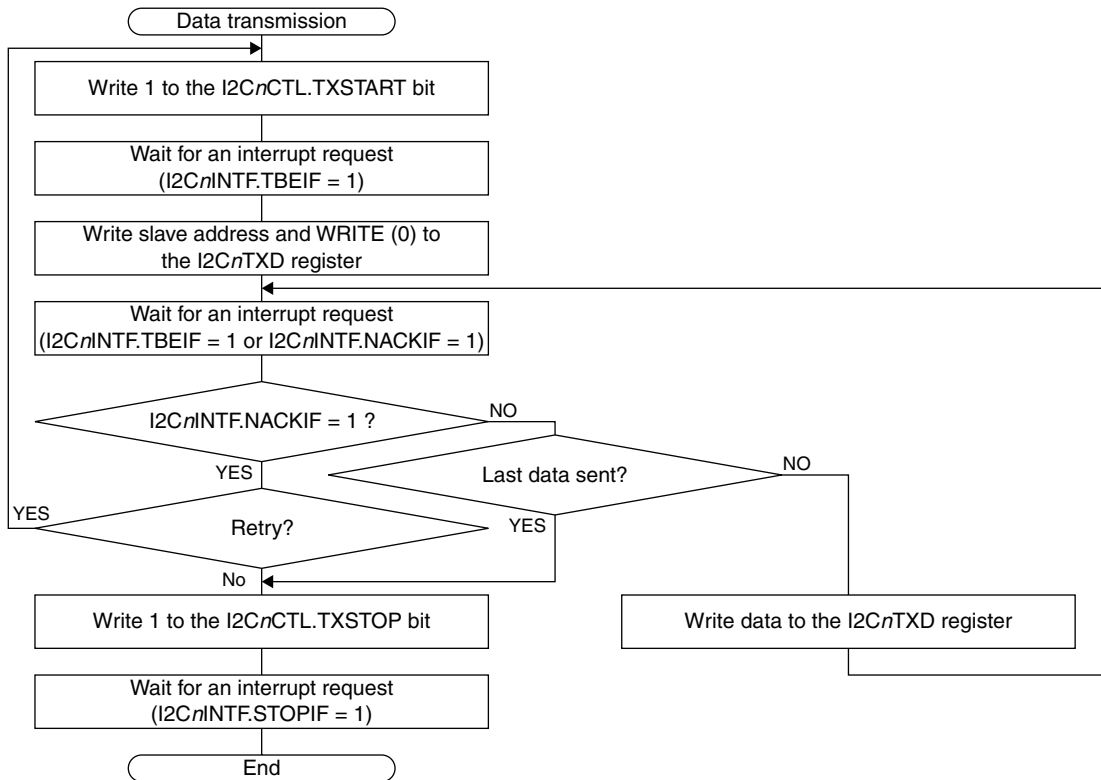


Figure 13.4.2.2 Master Mode Data Transmission Flowchart

13.4.3 Data Reception in Master Mode

A data receiving procedure in master mode and the I2C Ch.*n* operations are shown below. Figures 13.4.3.1 and 13.4.3.2 show an operation example and a flowchart, respectively.

Data receiving procedure

1. When receiving one-byte data, write 1 to the I2C*n*CTL.TXNACK bit.
2. Issue a START condition by setting the I2C*n*CTL.TXSTART bit to 1.
3. Wait for a transmit buffer empty interrupt (I2C*n*INTF.TBEIF bit = 1) or a START condition interrupt (I2C*n*INTF.STARTIF bit = 1).
Clear the I2C*n*INTF.STARTIF bit by writing 1 after the interrupt has occurred.
4. Write the 7-bit slave address to the I2C*n*TXD.TXD[7:1] bits and 1 that represents READ as the data transfer direction to the I2C*n*TXD.TXD0 bit.
5. Wait for a receive buffer full interrupt (I2C*n*INTF.RBFIF bit = 1) generated when a one-byte reception has completed or a NACK reception interrupt (I2C*n*INTF.NACKIF bit = 1) generated when a NACK is received.
 - i. Go to Step 6 when a receive buffer full interrupt has occurred.
 - ii. Clear the I2C*n*INTF.NACKIF bit and issue a STOP condition by setting the I2C*n*CTL.TXSTOP bit to 1 when a NACK reception interrupt has occurred. Then go to Step 9 or Step 2 if making a retry.
6. Perform one of the operations below when the last or next-to-last data is received.
 - i. When the next-to-last data is received, write 1 to the I2C*n*CTL.TXNACK bit to send a NACK after the last data is received, and then go to Step 7.
 - ii. When the last data is received, read the received data from the I2C*n*RXD register and set the I2C*n*CTL.TXSTOP to 1 to generate a STOP condition. Then go to Step 9.
7. Read the received data from the I2C*n*RXD register.
8. Repeat Steps 5 to 7 until the end of data reception.
9. Wait for a STOP condition interrupt (I2C*n*INTF.STOPIF bit = 1).
Clear the I2C*n*INTF.STOPIF bit by writing 1 after the interrupt has occurred.

Data receiving operations

Generating a START condition

It is the same as the data transmission in master mode.

Sending slave address

It is the same as the data transmission in master mode. Note, however, that the I2C*n*TXD.TXD0 bit must be set to 1 that represents READ as the data transfer direction to issue a request to the slave to send data.

Receiving data

After the slave address has been sent, the slave device sends an ACK and the first data. The I2C Ch.*n* sets the I2C*n*INTF.RBFIF bit to 1 after the data reception has completed. Furthermore, the I2C Ch.*n* returns an ACK. To return a NACK, such as for a response after the last data has been received, write 1 to the I2C*n*CTL.TXNACK bit before the I2C*n*INTF.RBFIF bit is set to 1.

The received data can be read out from the I2C*n*RXD register after a receive buffer full interrupt has occurred. The I2C Ch.*n* pulls down SCL to low and enters standby state until data is read out from the I2C*n*RXD register.

This reading triggers the I2C Ch.*n* to start subsequent data reception.

Generating a STOP or repeated START condition

It is the same as the data transmission in master mode.

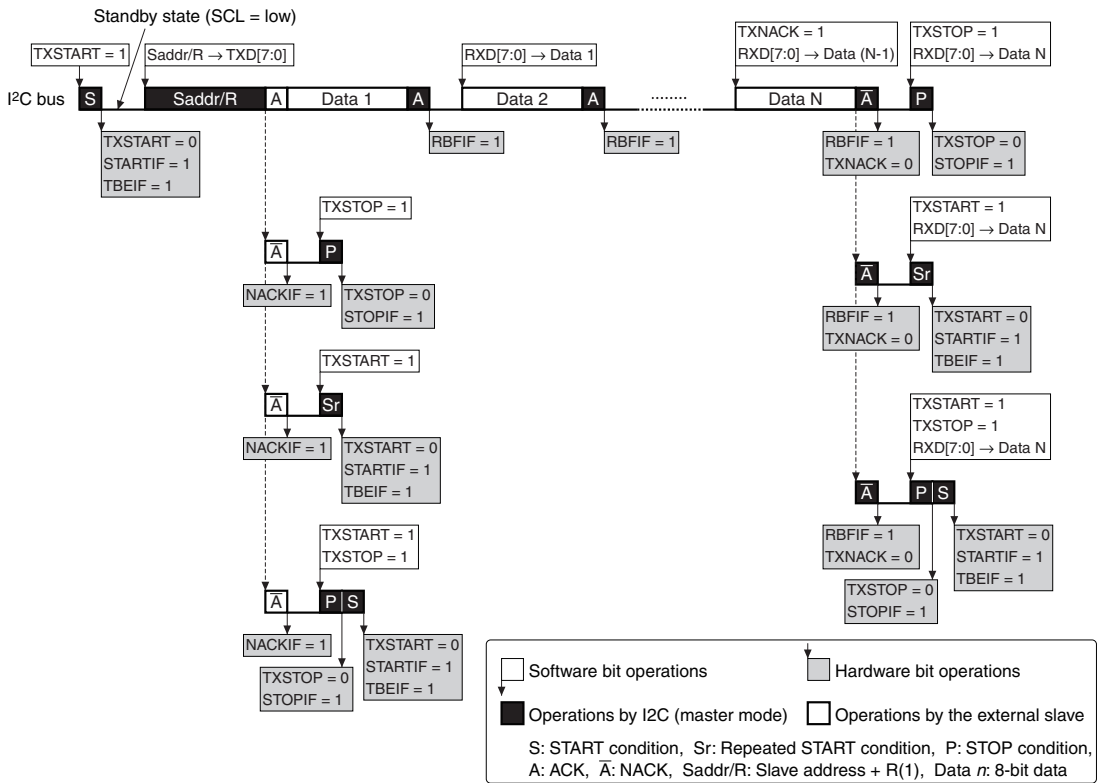


Figure 13.4.3.1 Example of Data Receiving Operations in Master Mode

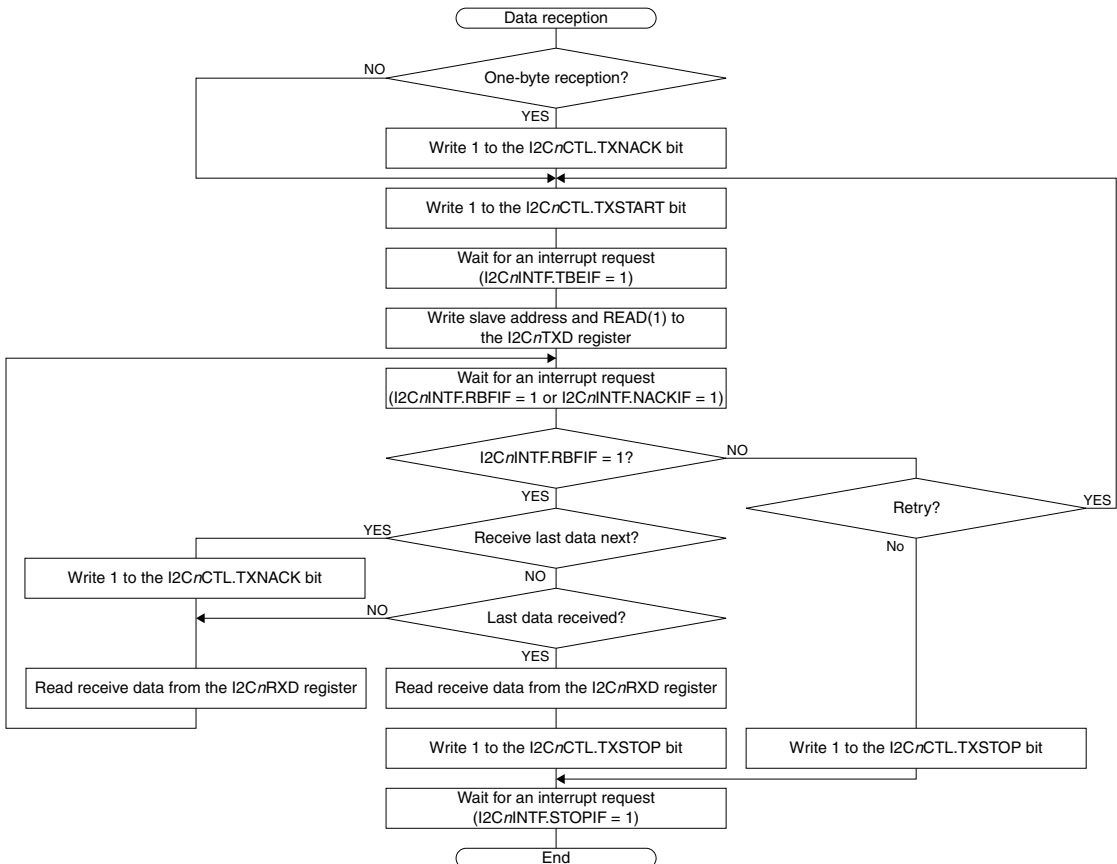
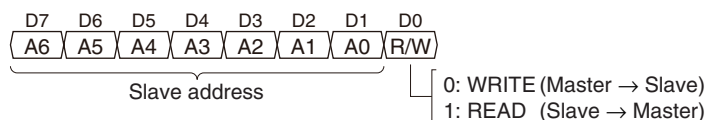


Figure 13.4.3.2 Master Mode Data Reception Flowchart

13.4.4 10-bit Addressing in Master Mode

A 10-bit address consists of the first address that contains two high-order bits and the second address that contains eight low-order bits.

7-bit address



10-bit address

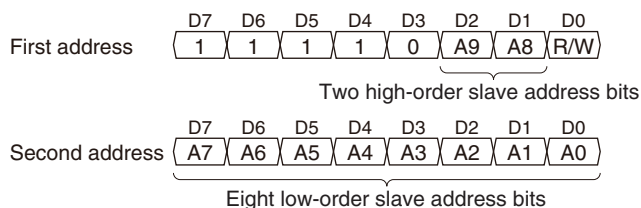


Figure 13.4.4.1 10-bit Address Configuration

The following shows a procedure to start data transfer in 10-bit address mode when the I2C Ch.*n* is placed into master mode (see the 7-bit mode descriptions above for control procedures when a NACK is received or sending/receiving data). Figure 13.4.4.2 shows an operation example.

Starting data transmission in 10-bit address mode

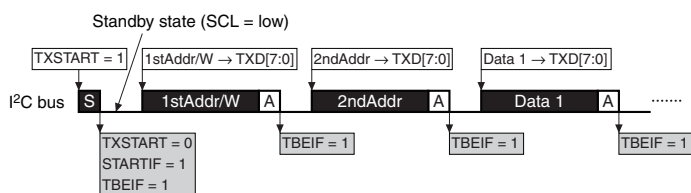
1. Issue a START condition by setting the I2CnCTL.TXSTART bit to 1.
2. Wait for a transmit buffer empty interrupt (I2CnINTF.TBEIF bit = 1) or a START condition interrupt (I2CnINTF.STARTIF bit = 1).
Clear the I2CnINTF.STARTIF bit by writing 1 after the interrupt has occurred.
3. Write the first address to the I2CnTXD.TXD[7:1] bits and 0 that represents WRITE as the data transfer direction to the I2CnTXD.TXD0 bit.
4. Wait for a transmit buffer empty interrupt (I2CnINTF.TBEIF bit = 1).
5. Write the second address to the I2CnTXD.TXD[7:0] bits.
6. Wait for a transmit buffer empty interrupt (I2CnINTF.TBEIF bit = 1).
7. Perform data transmission.

Starting data reception in 10-bit address mode

- 1 to 6. These steps are the same as the data transmission starting procedure described above.
7. Issue a repeated START condition by setting the I2CnCTL.TXSTART bit to 1.
8. Wait for a transmit buffer empty interrupt (I2CnINTF.TBEIF bit = 1) or a START condition interrupt (I2CnINTF.STARTIF bit = 1).
Clear the I2CnINTF.STARTIF bit by writing 1 after the interrupt has occurred.
9. Write the first address to the I2CnTXD.TXD[7:1] bits and 1 that represents READ as the data transfer direction to the I2CnTXD.TXD0 bit.
10. Perform data reception.

13 I²C (I2C)

At start of data transmission



At start of data reception

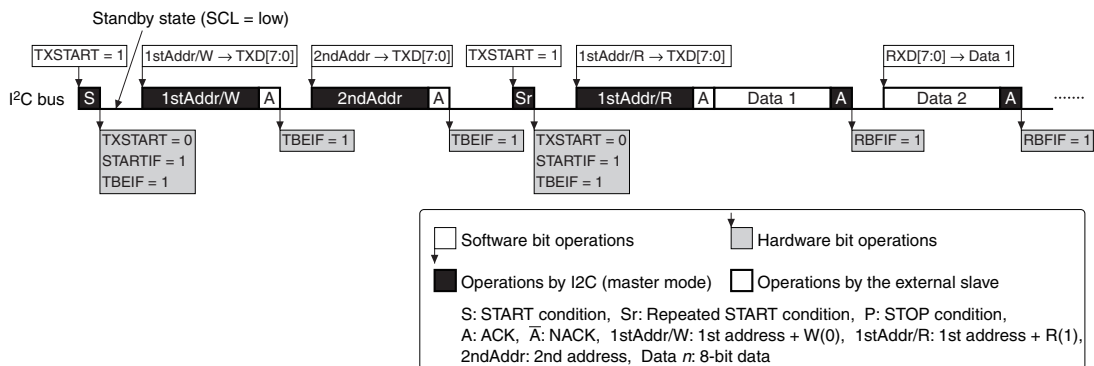


Figure 13.4.4.2 Example of Data Transfer Starting Operations in 10-bit Address Mode (Master Mode)

13.4.5 Data Transmission in Slave Mode

A data sending procedure in slave mode and the I2C Ch.*n* operations are shown below. Figures 13.4.5.1 and 13.4.5.2 show an operation example and a flowchart, respectively.

Data sending procedure

1. Wait for a START condition interrupt (I2CnINTF.STARTIF bit = 1).
Clear the I2CnINTF.STARTIF bit by writing 1 after the interrupt has occurred.
2. Check to see if the I2CnINTF.TR bit = 1 (transmission mode).
(Start a data receiving procedure if the I2CnINTF.TR bit = 0.)
3. Write transmit data to the I2CnTXD register.
4. Wait for a transmit buffer empty interrupt (I2CnINTF.TBEIF bit = 1), a NACK reception interrupt (I2CnINTF.NACKIF bit = 1), or a STOP condition interrupt (I2CnINTF.STOPIF bit = 1).
 - i. Go to Step 3 when a transmit buffer empty interrupt has occurred.
 - ii. Go to Step 5 after clearing the I2CnINTF.NACKIF bit when a NACK reception interrupt has occurred.
 - iii. Go to Step 6 when a STOP condition interrupt has occurred.
5. Wait for a STOP condition interrupt (I2CnINTF.STOPIF bit = 1) or a START condition interrupt (I2CnINTF.STARTIF bit = 1).
 - i. Go to Step 6 when a STOP condition interrupt has occurred.
 - ii. Go to Step 2 when a START condition interrupt has occurred.
6. Clear the I2CnINTF.STOPIF bit and then terminate data sending operations.

Data sending operations

START condition detection and slave address check

While the I2CnCTL.MODEN bit = 1 and the I2CnCTL.MST bit = 0 (slave mode), the I2C Ch.n monitors the I²C bus. When the I2C Ch.n detects a START condition, it starts receiving of the slave address sent from the master. If the received address is matched with the own address set to the I2CnOADR.OADR[6:0] bits (when the I2CnMOD.OADR10 bit = 0 (7-bit address mode)) or the I2CnOADR.OADR[9:0] bits (when the I2CnMOD.OADR10 bit = 1 (10-bit address mode)), the I2CnINTF.STARTIF bit and the I2CnINTF.BSY bit are both set to 1. The I2C Ch.n sets the I2CnINTF.TR bit to the R/W bit value in the received address. If this value is 1, the I2C Ch.n sets the I2CnINTF.TBEIF bit to 1 and starts data sending operations.

Sending the first data byte

After the valid slave address has been received, the I2C Ch.n pulls down SCL to low and enters standby state until data is written to the I2CnTXD register. This puts the I²C bus into clock stretching state and the external master into standby state. When transmit data is written to the I2CnTXD register, the I2C Ch.n clears the I2CnINTF.TBEIF bit and sends an ACK to the master. The transmit data written in the I2CnTXD register is automatically transferred to the shift register and the I2CnINTF.TBEIF bit is set to 1. The data bits in the shift register are output in sequence to the I²C bus.

Sending subsequent data

If the I2CnINTF.TBEIF bit = 1, subsequent transmit data can be written during data transmission. If the I2CnINTF.TBEIF bit is still set to 1 when the data transmission from the shift register has completed, the I2C Ch.n pulls down SCL to low (sets the I²C bus into clock stretching state) until transmit data is written to the I2CnTXD register.

If the next transmit data already exists in the I2CnTXD register or data has been written after the above, the I2C Ch.n sends the subsequent eight-bit data when an ACK from the external master is received. At the same time, the I2CnINTF.BYTEENDIF bit is set to 1. If a NACK is received, the I2CnINTF.NACKIF bit is set to 1 without sending data.

STOP/repeated START condition detection

While the I2CnCTL.MST bit = 0 (slave mode) and the I2CnINTF.BSY = 1, the I2C Ch.n monitors the I²C bus. When the I2C Ch.n detects a STOP condition, it terminates data sending operations. At this time, the I2CnINTF.BSY bit is cleared to 0 and the I2CnINTF.STOPIF bit is set to 1. Also when the I2C Ch.n detects a repeated START condition, it terminates data sending operations. In this case, the I2CnINTF.STARTIF bit is set to 1.

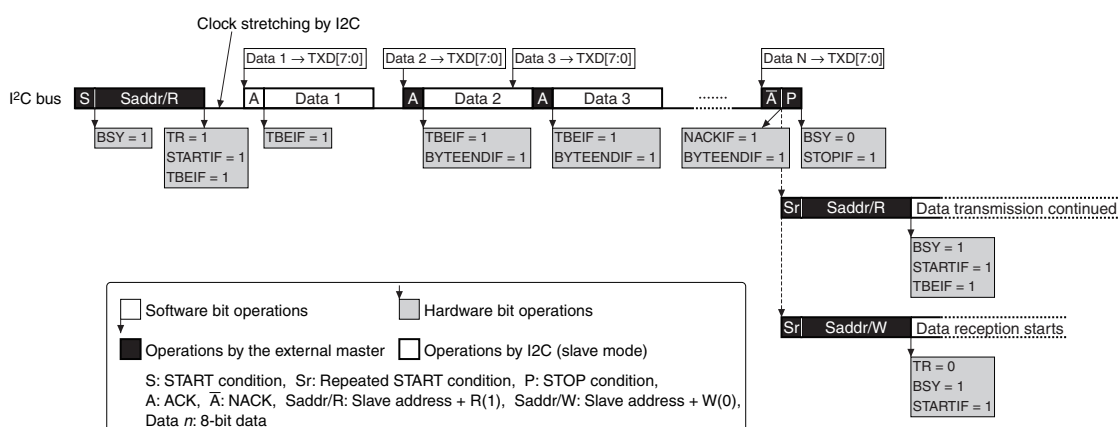


Figure 13.4.5.1 Example of Data Sending Operations in Slave Mode

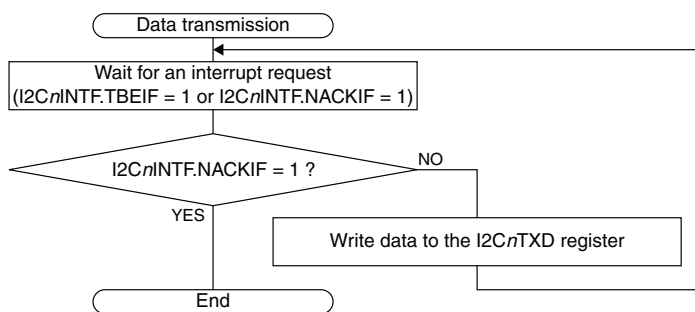


Figure 13.4.5.2 Slave Mode Data Transmission Flowchart

13.4.6 Data Reception in Slave Mode

A data receiving procedure in slave mode and the I2C Ch.n operations are shown below. Figures 13.4.6.1 and 13.4.6.2 show an operation example and a flowchart, respectively.

Data receiving procedure

1. When receiving one-byte data, write 1 to the I2CnCTL.TXNACK bit.
2. Wait for a START condition interrupt (I2CnINTF.STARTIF bit = 1).
3. Check to see if the I2CnINTF.TR bit = 0 (reception mode).
(Start a data sending procedure if I2CnINTF.TR bit = 1.)
4. Clear the I2CnINTF.STARTIF bit by writing 1.
5. Wait for a receive buffer full interrupt (I2CnINTF.RBFIF bit = 1) generated when a one-byte reception has completed or an end of transfer interrupt (I2CnINTF.BYTEENDIF bit = 1).
Clear the I2CnINTF.BYTEENDIF bit by writing 1 after the interrupt has occurred.
6. If the next receive data is the last one, write 1 to the I2CnCTL.TXNACK bit to send a NACK after it is received.
7. Read the received data from the I2CnRXD register.
8. Repeat Steps 5 to 7 until the end of data reception.
9. Wait for a STOP condition interrupt (I2CnINTF.STOPIF bit = 1) or a START condition interrupt (I2CnINTF.STARTIF bit = 1).
 - i. Go to Step 10 when a STOP condition interrupt has occurred.
 - ii. Go to Step 3 when a START condition interrupt has occurred.
10. Clear the I2CnINTF.STOPIF bit and then terminate data receiving operations.

Data receiving operations

START condition detection and slave address check

It is the same as the data transmission in slave mode.

However, the I2CnINTF.TR bit is cleared to 0 and the I2CnINTF.TBEIF bit is not set.

If the I2CnMOD.GCEN bit is set to 1 (general call address response enabled), the I2C Ch.n starts data receiving operations when the general call address is received.

Slave mode can be operated even in SLEEP mode, it makes it possible to wake the CPU up using an interrupt when an address match is detected.

Receiving the first data byte

After the valid slave address has been received, the I2C Ch.n sends an ACK and pulls down SCL to low until 1 is written to the I2CnINTF.STARTIF bit. This puts the I²C bus into clock stretching state and the external master into standby state. When 1 is written to the I2CnINTF.STARTIF bit, the I2C Ch.n releases SCL and receives data sent from the external master into the shift register. After eight-bit data has been received, the I2C Ch.n sends an ACK and pulls down SCL to low. The received data in the shift register is transferred to the receive data buffer and the I2CnINTF.RBFIF and I2CnINTF.BYTEENDIF bits are both set to 1. After that, the received data can be read out from the I2CnRXD register.

Receiving subsequent data

When the received data is read out from the I2CnRXD register after the I2CnINTF.RBFIF bit has been set to 1, the I2C Ch.n clears the I2CnINTF.RBFIF bit to 0, releases SCL, and receives subsequent data sent from the external master. After eight-bit data has been received, the I2C Ch.n sends an ACK and pulls down SCL to low. The received data in the shift register is transferred to the receive data buffer and the I2CnINTF.RBFIF and I2CnINTF.BYTEENDIF bits are both set to 1.

To return a NACK after eight-bit data is received, such as when terminating data reception, write 1 to the I2CnCTL.TXNACK bit before the data reception is completed. The I2CnCTL.TXNACK bit is automatically cleared to 0 after a NACK has been sent.

STOP/repeated START condition detection

It is the same as the data transmission in slave mode.

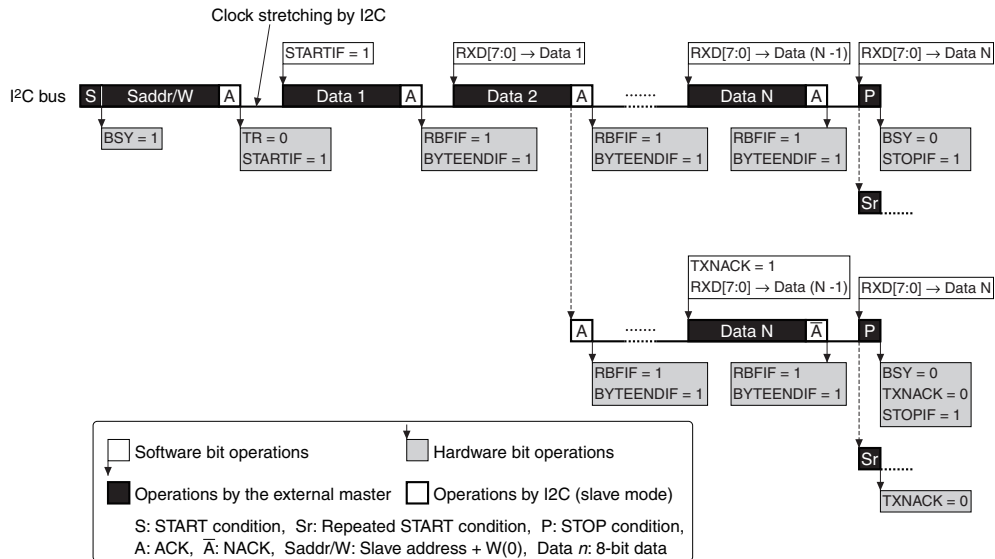


Figure 13.4.6.1 Example of Data Receiving Operations in Slave Mode

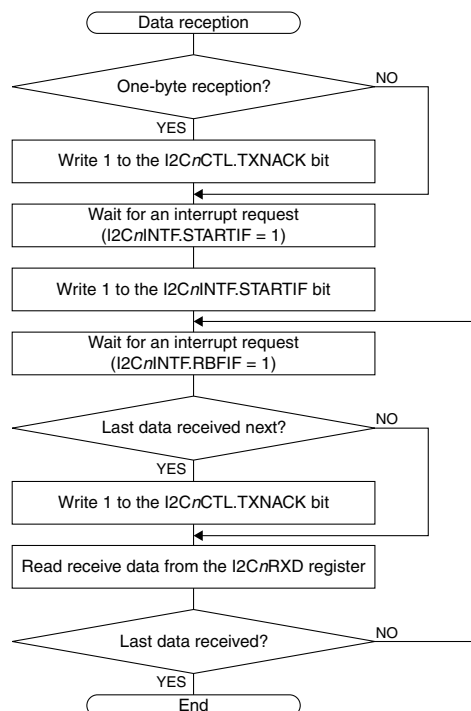


Figure 13.4.6.2 Slave Mode Data Reception Flowchart

13.4.7 Slave Operations in 10-bit Address Mode

The I2C Ch.*n* functions as a slave device in 10-bit address mode when the I2CnCTL.MST bit = 0 and the I2C-nMOD.OADR10 bit = 1.

The following shows the address receiving operations in 10-bit address mode. Figure 13.4.7.1 shows an operation example. See Figure 13.4.4.1 for the 10-bit address configuration.

10-bit address receiving operations

After a START condition is issued, the master sends the first address that includes the two high-order slave address bits and the R/W bit (= 0). If the received two high-order slave address bits are matched with the I2CnOADR.OADR[9:8] bits, the I2C Ch.*n* returns an ACK. At this time, other slaves may return an ACK as the two high-order bits may be matched.

Then the master sends the eight low-order slave address bits as the second address. If this address is matched with the I2CnOADR.OADR[7:0] bits, the I2C Ch.*n* returns an ACK and starts data receiving operations.

If the master issues a request to the slave to send data (data reception in the master), the master generates a repeated START condition and sends the first address with the R/W bit set to 1. This reception switches the I2C Ch.*n* to data sending mode.

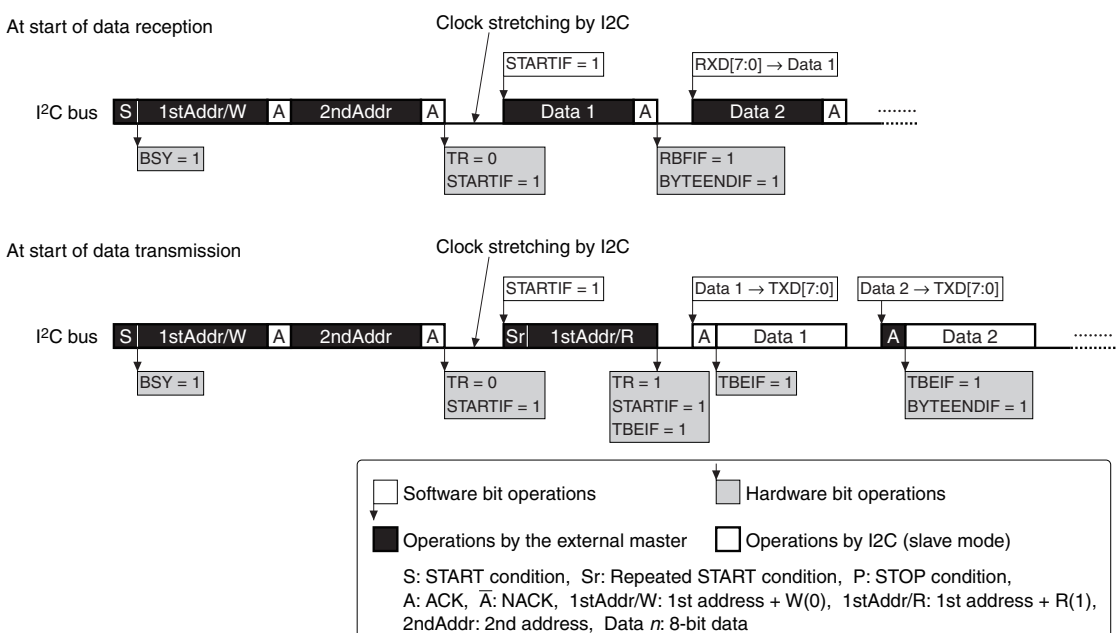


Figure 13.4.7.1 Example of Data Transfer Starting Operations in 10-bit Address Mode (Slave Mode)

13.4.8 Automatic Bus Clearing Operation

The I2C Ch.*n* set into master mode checks the SDA state immediately before generating a START condition. If SDA is set to a low level at this time, the I2C Ch.*n* automatically executes bus clearing operations that output up to ten clocks from the SCL_{*n*} pin with SDA left free state.

When SDA goes high from low within nine clocks, the I2C Ch.*n* issues a START condition and starts normal operations. If SDA does not change from low when the I2C Ch.*n* outputs the ninth clock, it is regarded as an automatic bus clearing failure. In this case, the I2C Ch.*n* clears the I2CnCTL.TXSTART bit to 0 and sets both the I2CnINTF.ERRIF and I2CnINTF.STARTIF bits to 1.

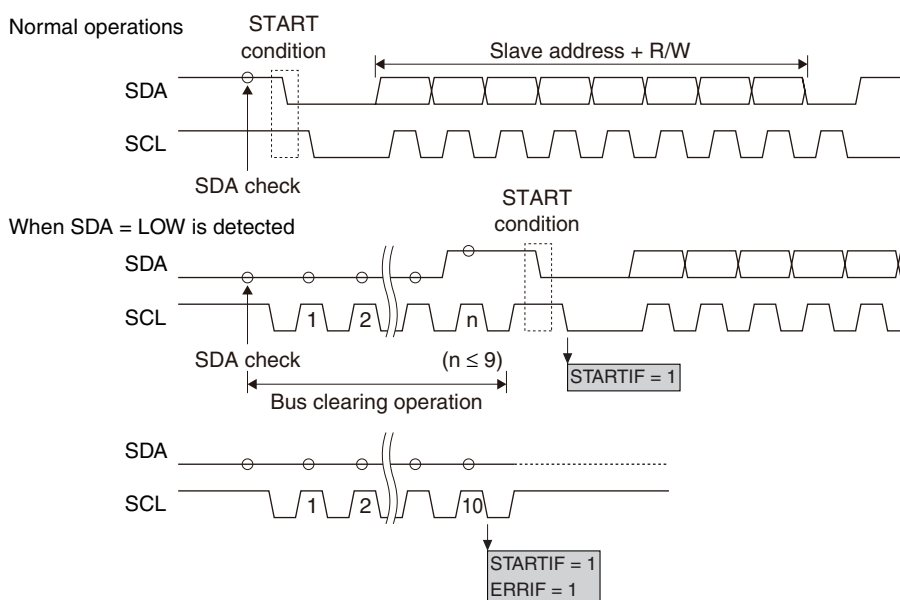


Figure 13.4.8.1 Automatic Bus Clearing Operation

13.4.9 Error Detection

The I²C includes a hardware error detection function.

Furthermore, the I2CnINTF.SDALOW and I2CnINTF.SCLLOW bits are provided to allow software to check whether the SDA and SCL lines are fixed at low. If unintended low level is detected on SDA or SCL, a software recovery processing, such as I2C Ch.n software reset, can be performed.

The table below lists the hardware error detection conditions and the notification method.

Table 13.4.9.1 Hardware Error Detection Function

No.	Error detecting period/timing	I ² C bus line monitored and error condition	Notification method
1	While the I2C Ch.n controls SDA to high for sending address, data, or a NACK	SDA = low	I2CnINTF.ERRIF = 1
2	<Master mode only> When 1 is written to the I2CnCTL.TX-START bit while the I2CnINTF.BSY bit = 0	SCL = low	I2CnINTF.ERRIF = 1 I2CnCTL.TXSTART = 0 I2CnINTF.STARTIF = 1
3	<Master mode only> When 1 is written to the I2CnCTL.TXSTOP bit while the I2CnINTF.BSY bit = 0	SCL = low	I2CnINTF.ERRIF = 1 I2CnCTL.TXSTOP = 0 I2CnINTF.STOPIF = 1
4	<Master mode only> When 1 is written to the I2CnCTL.TX-START bit while the I2CnINTF.BSY bit = 0 (Refer to “Automatic Bus Clearing Operation.”)	SDA Automatic bus clearing failure	I2CnINTF.ERRIF = 1 I2CnCTL.TXSTART = 0 I2CnINTF.STARTIF = 1

13.5 Interrupts

The I2C has a function to generate the interrupts shown in Table 13.5.1.

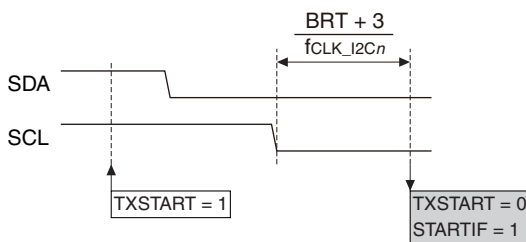
Table 13.5.1 I2C Interrupt Function

Interrupt	Interrupt flag	Set condition	Clear condition
End of data transfer	I2CnINTF.BYTEENDIF	When eight-bit data transfer and the following ACK/NACK transfer are completed	Writing 1, software reset
General call address reception	I2CnINTF.GCIF	Slave mode only: When the general call address is received	Writing 1, software reset
NACK reception	I2CnINTF.NACKIF	When a NACK is received	Writing 1, software reset
STOP condition	I2CnINTF.STOPIF	Master mode: When a STOP condition is generated and the bus free time (t_{BUF}) between STOP and START conditions has elapsed Slave mode: When a STOP condition is detected while the I2C Ch.n is selected as the slave currently accessed	Writing 1, software reset
START condition	I2CnINTF.STARTIF	Master mode: When a START condition is issued Slave mode: When an address match is detected (including general call)	Writing 1, software reset
Error detection	I2CnINTF.ERRIF	Refer to “Error Detection.”	Writing 1, software reset
Receive buffer full	I2CnINTF.RBFIF	When received data is loaded to the receive data buffer	Reading received data (to empty the receive data buffer), software reset
Transmit buffer empty	I2CnINTF.TBEIF	Master mode: When a START condition is issued or when an ACK is received from the slave Slave mode: When transmit data written to the transmit data buffer is transferred to the shift register or when an address match is detected with R/W bit set to 1	Writing transmit data

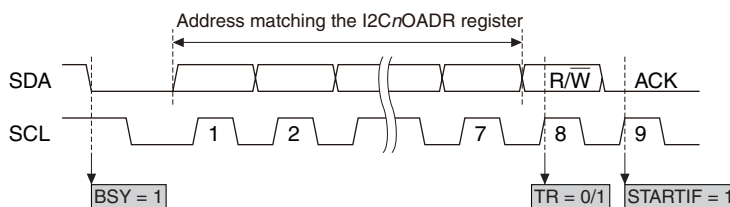
The I2C provides interrupt enable bits corresponding to each interrupt flag. An interrupt request is sent to the interrupt controller only when the interrupt flag, of which interrupt has been enabled by the interrupt enable bit, is set. For more information on interrupt control, refer to the “Interrupt Controller” chapter.

(1) START condition interrupt

Master mode

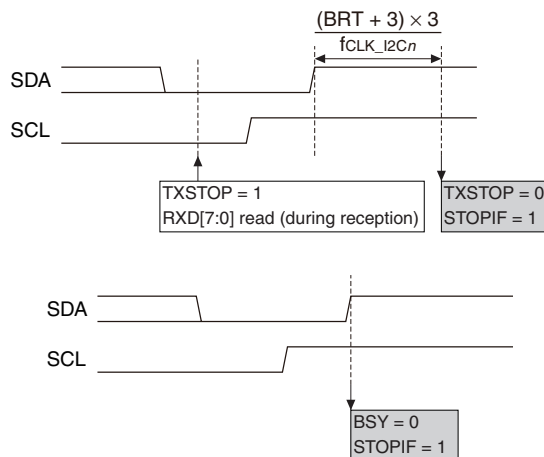


Slave mode



(2) STOP condition interrupt
Master mode

Slave mode



(f_{CLK_I2Cn} : I2C operating clock frequency [Hz], BRT: I2CnBR.BRT[6:0] bits setting value (1 to 127))

Figure 13.5.1 START/STOP Condition Interrupt Timings

13.6 Control Registers

I2C Ch.n Clock Control Register

Register name	Bit	Bit name	Initial	Reset	R/W	Remarks
I2CnCLK	15–9	–	0x00	–	R	–
	8	DBRUN	0	H0	R/W	
	7–6	–	0x0	–	R	
	5–4	CLKDIV[1:0]	0x0	H0	R/W	
	3–2	–	0x0	–	R	
	1–0	CLKSRC[1:0]	0x0	H0	R/W	

Bits 15–9 Reserved

Bit 8 DBRUN

This bit sets whether the I2C operating clock is supplied in DEBUG mode or not.

1 (R/W): Clock supplied in DEBUG mode

0 (R/W): No clock supplied in DEBUG mode

Bits 7–6 Reserved

Bits 5–4 CLKDIV[1:0]

These bits select the division ratio of the I2C operating clock.

Bits 3–2 Reserved

Bits 1–0 CLKSRC[1:0]

These bits select the clock source of the I2C.

Table 13.6.1 Clock Source and Division Ratio Settings

I2CnCLK. CLKDIV[1:0] bits	I2CnCLK.CLKSRC[1:0] bits			
	0x0 IOSC	0x1 OSC1	0x2 OSC3	0x3 EXOSC
0x3	1/8	1/1	1/8	1/1
0x2	1/4		1/4	
0x1	1/2		1/2	
0x0	1/1		1/1	

(Note) The oscillation circuits/external input that are not supported in this IC cannot be selected as the clock source.

Note: The I2CnCLK register settings can be altered only when the I2CnCTL.MODEN bit = 0.

I2C Ch.n Mode Register

Register name	Bit	Bit name	Initial	Reset	R/W	Remarks
I2CnMOD	15–8	–	0x00	–	R	–
	7–3	–	0x00	–	R	
	2	OADR10	0	H0	R/W	
	1	GCEN	0	H0	R/W	
	0	–	0	–	R	

Bits 15–3 Reserved

Bit 2 OADR10

This bit sets the number of own address bits for slave mode.

1 (R/W): 10-bit address

0 (R/W): 7-bit address

Bit 1 GCEN

This bit sets whether to respond to master general calls in slave mode or not.

1 (R/W): Respond to general calls.

0 (R/W): Do not respond to general calls.

Bit 0 Reserved

Note: The I2CnMOD register settings can be altered only when the I2CnCTL.MODEN bit = 0.

I2C Ch.n Baud-Rate Register

Register name	Bit	Bit name	Initial	Reset	R/W	Remarks
I2CnBR	15–8	–	0x00	–	R	–
	7	–	0	–	R	
	6–0	BRT[6:0]	0x7f	H0	R/W	

Bits 15–7 Reserved

Bits 6–0 BRT[6:0]

These bits set the I2C Ch.n transfer rate for master mode. For more information, refer to “Baud Rate Generator.”

Notes: • The I2CnBR register settings can be altered only when the I2CnCTL.MODEN bit = 0.

- Be sure to avoid setting the I2CnBR register to 0.

I2C Ch.n Own Address Register

Register name	Bit	Bit name	Initial	Reset	R/W	Remarks
I2CnOADR	15–10	–	0x00	–	R	–
	9–0	OADR[9:0]	0x000	H0	R/W	

Bits 15–10 Reserved

Bits 9–0 OADR[9:0]

These bits set the own address for slave mode.

The I2CnOADR.OADR[9:0] bits are effective in 10-bit address mode (I2CnMOD.OADR10 bit = 1), or the I2CnOADR.OADR[6:0] bits are effective in 7-bit address mode (I2CnMOD.OADR10 bit = 0).

Note: The I2CnOADR register settings can be altered only when the I2CnCTL.MODEN bit = 0.

I2C Ch.n Control Register

Register name	Bit	Bit name	Initial	Reset	R/W	Remarks
I2CnCTL	15–8	–	0x00	–	R	–
	7–6	–	0x0	–	R	
	5	MST	0	H0	R/W	
	4	TXNACK	0	H0/S0	R/W	
	3	TXSTOP	0	H0/S0	R/W	
	2	TXSTART	0	H0/S0	R/W	
	1	SFTRST	0	H0	R/W	
	0	MODEN	0	H0	R/W	

Bits 15–6 Reserved

Bit 5 MST

This bit selects the I2C Ch.n operating mode.

1 (R/W): Master mode

0 (R/W): Slave mode

Bit 4 TXNACK

This bit issues a request for sending a NACK at the next responding.

1 (W): Issue a NACK.

0 (W): Ineffective

1 (R): On standby or during sending a NACK

0 (R): NACK has been sent.

This bit is automatically cleared after a NACK has been sent.

Bit 3 TXSTOP

This bit issues a STOP condition in master mode. This bit is ineffective in slave mode.

1 (W): Issue a STOP condition.

0 (W): Ineffective

1 (R): On standby or during generating a STOP condition

0 (R): STOP condition has been generated.

This bit is automatically cleared when the bus free time (t_{BUF} defined in the I²C Specifications) has elapsed after the STOP condition has been generated.

Bit 2 TXSTART

This bit issues a START condition in master mode. This bit is ineffective in slave mode.

1 (W): Issue a START condition.

0 (W): Ineffective

1 (R): On standby or during generating a START condition

0 (R): START condition has been generated.

This bit is automatically cleared when a START condition has been generated.

Bit 1 SFTRST

This bit issues software reset to the I2C.

1 (W): Issue software reset

0 (W): Ineffective

1 (R): Software reset is executing.

0 (R): Software reset has finished. (During normal operation)

Setting this bit resets the I2C transmit/receive control circuit and interrupt flags. This bit is automatically cleared after the reset processing has finished.

Bit 0 MODEN

This bit enables the I2C operations.

1 (R/W): Enable I2C operations (The operating clock is supplied.)

0 (R/W): Disable I2C operations (The operating clock is stopped.)

Note: If the I2CnCTL.MODEN bit is altered from 1 to 0 during sending/receiving data, the data being sent/received cannot be guaranteed. When setting the I2CnCTL.MODEN bit to 1 again after that, be sure to write 1 to the I2CnCTL.SFTRST bit as well.

I2C Ch.n Transmit Data Register

Register name	Bit	Bit name	Initial	Reset	R/W	Remarks
I2CnTXD	15–8	–	0x00	–	R	–
	7–0	TXD[7:0]	0x00	H0	R/W	

Bits 15–8 Reserved

Bits 7–0 TXD[7:0]

Data can be written to the transmit data buffer through these bits. Make sure the I2CnINTF.TBEIF bit is set to 1 before writing data.

Note: Be sure to avoid writing to the I2CnTXD register when the I2CnINTF.TBEIF bit = 0, otherwise transmit data cannot be guaranteed.

I2C Ch.n Receive Data Register

Register name	Bit	Bit name	Initial	Reset	R/W	Remarks
I2CnRXD	15–8	–	0x00	–	R	–
	7–0	RXD[7:0]	0x00	H0	R	

Bits 15–8 Reserved

Bits 7–0 RXD[7:0]

The receive data buffer can be read through these bits.

I2C Ch.n Status and Interrupt Flag Register

Register name	Bit	Bit name	Initial	Reset	R/W	Remarks	
I2CnINTF	15–13	–	0x0	–	R	–	
	12	SDALLOW	0	H0	R		
	11	SCLLOW	0	H0	R		
	10	BSY	0	H0/S0	R		
	9	TR	0	H0	R		
	8	–	0	–	R		
	7	BYTEENDIF	0	H0/S0	R/W		Cleared by writing 1.
	6	GCIF	0	H0/S0	R/W		
	5	NACKIF	0	H0/S0	R/W		
	4	STOPIF	0	H0/S0	R/W		
	3	STARTIF	0	H0/S0	R/W		
	2	ERRIF	0	H0/S0	R/W		Cleared by reading the I2CnRXD register.
	1	RBFIF	0	H0/S0	R		
0	TBEIF	0	H0/S0	R	Cleared by writing to the I2CnTXD register.		

Bits 15–13 Reserved

Bit 12 SDALLOW

This bit indicates that SDA is set to low level.

1 (R): SDA = Low level

0 (R): SDA = High level

Bit 11 SCLLOW

This bit indicates that SCL is set to low level.

1 (R): SCL = Low level

0 (R): SCL = High level

Bit 10 BSY

This bit indicates that the I²C bus is placed into busy status.

1 (R): I²C bus busy

0 (R): I²C bus free

Bit 9 TR

This bit indicates whether the I2C is set in transmission mode or not.

1 (R): Transmission mode

0 (R): Reception mode

Bit 8 Reserved**Bit 7 BYTEENDIF****Bit 6 GCIF****Bit 5 NACKIF****Bit 4 STOPIF****Bit 3 STARTIF****Bit 2 ERRIF****Bit 1 RBFIF****Bit 0 TBEIF**

These bits indicate the I2C interrupt cause occurrence status.

1 (R): Cause of interrupt occurred

0 (R): No cause of interrupt occurred

1 (W): Clear flag

0 (W): Ineffective

The following shows the correspondence between the bit and interrupt:

I2C_nINTF.BYTEENDIF bit: End of transfer interrupt

I2C_nINTF.GCIF bit: General call address reception interrupt

I2C_nINTF.NACKIF bit: NACK reception interrupt

I2C_nINTF.STOPIF bit: STOP condition interrupt

I2C_nINTF.STARTIF bit: START condition interrupt

I2C_nINTF.ERRIF bit: Error detection interrupt

I2C_nINTF.RBFIF bit: Receive buffer full interrupt

I2C_nINTF.TBEIF bit: Transmit buffer empty interrupt

I2C Ch.*n* Interrupt Enable Register

Register name	Bit	Bit name	Initial	Reset	R/W	Remarks
I2C _n INTE	15–8	–	0x00	–	R	–
	7	BYTEENDIE	0	H0	R/W	
	6	GCIE	0	H0	R/W	
	5	NACKIE	0	H0	R/W	
	4	STOPIE	0	H0	R/W	
	3	STARTIE	0	H0	R/W	
	2	ERRIE	0	H0	R/W	
	1	RBFIE	0	H0	R/W	
	0	TBEIE	0	H0	R/W	

Bits 15–8 Reserved

Bit 7	BYTEENDIE
Bit 6	GCIE
Bit 5	NACKIE
Bit 4	STOPIE
Bit 3	STARTIE
Bit 2	ERRIE
Bit 1	RBFIE
Bit 0	TBEIE

These bits enable I2C interrupts.

1 (R/W): Enable interrupts

0 (R/W): Disable interrupts

The following shows the correspondence between the bit and interrupt:

I2CnINTE.BYTEENDIE bit: End of transfer interrupt

I2CnINTE.GCIE bit: General call address reception interrupt

I2CnINTE.NACKIE bit: NACK reception interrupt

I2CnINTE.STOPIE bit: STOP condition interrupt

I2CnINTE.STARTIE bit: START condition interrupt

I2CnINTE.ERRIE bit: Error detection interrupt

I2CnINTE.RBFIE bit: Receive buffer full interrupt

I2CnINTE.TBEIE bit: Transmit buffer empty interrupt

14 LCD Driver (LCD8A)

14.1 Overview

LCD8A is an LCD driver to drive an LCD panel. The features of the LCD8A are listed below.

- The frame frequency is configurable into 16 steps.
- Provides all on, all off, and inverse display functions as well as normal display.
- The segment and common pin assignments can be inverted.
- Provides a partial common output drive function.
- Provides an n-segment-line inverse AC drive function.
- The LCD contrast is adjustable into 16 steps.
- Provides the frame signal monitoring output pin.
- Can generate interrupts every frame.

Figure 14.1.1 shows the LCD8A configuration.

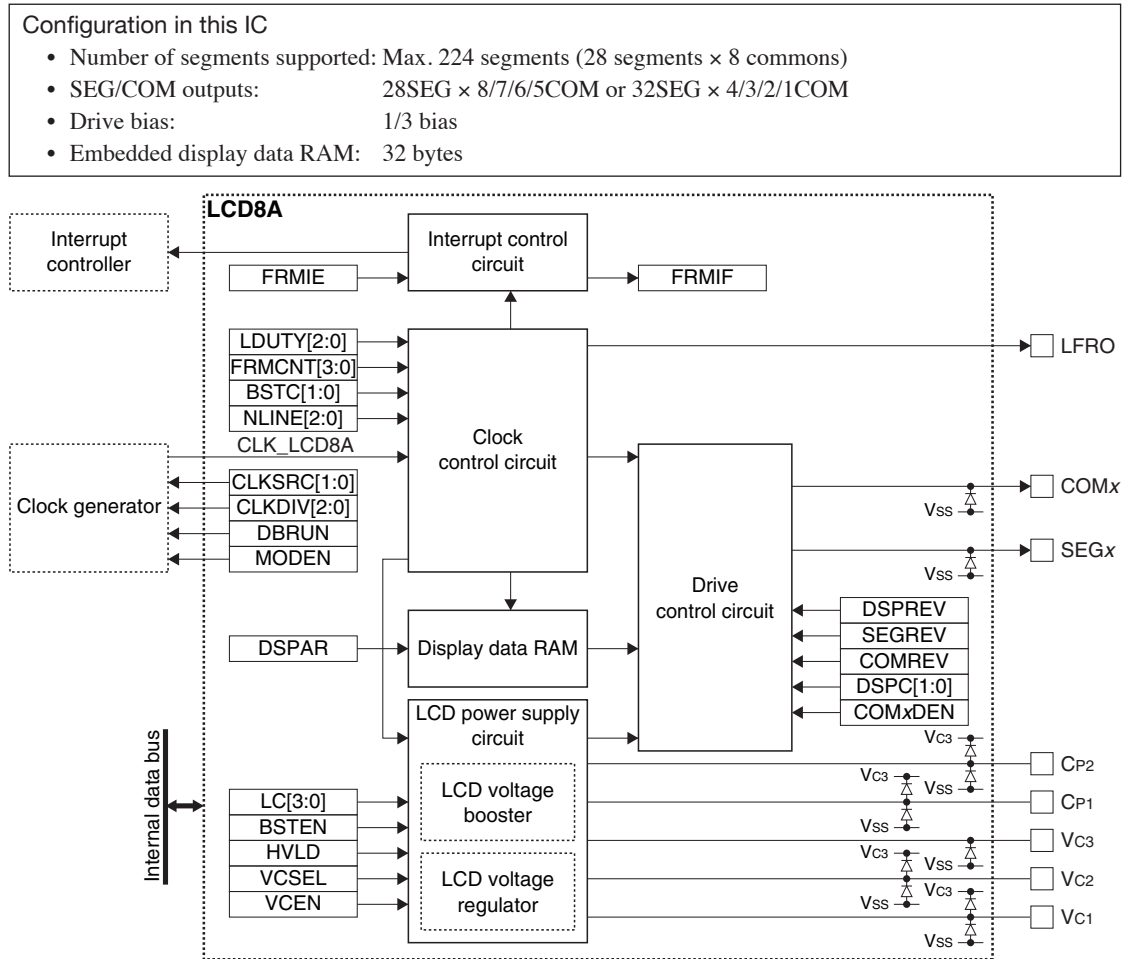


Figure 14.1.1 LCD8A Configuration

14.2 Output Pins and External Connections

14.2.1 List of Output Pins

Table 14.2.1.1 lists the LCD8A pins.

Table 14.2.1.1 List of LCD8A Pins

Pin name	I/O*	Initial status*	Function
SEG31–0	A	O (L)	Segment data output pin
COM7–0	A	O (L)	Common data output pin
LFRO	O	O (L)	Frame signal monitoring output pin
VC1	P	–	LCD panel drive power supply pin
VC2	P	–	LCD panel drive power supply pin
VC3	P	–	LCD panel drive power supply pin
CP1	A	–	LCD voltage booster capacitor connecting pin
CP2	A	–	LCD voltage booster capacitor connecting pin

* Indicates the status when the pin is configured for LCD8A.

If the port is shared with the LCD8A pin and other functions, the LCD8A output function must be assigned to the port before activating the LCD8A. For more information, refer to the “I/O Ports” chapter.

The SEG31–28 outputs and COM4–7 outputs share the pins and selecting a drive duty switches the pins to SEG pins or COM pins. For the pin configuration, refer to “Drive Duty Switching.”

14.2.2 External Connections

Figure 14.2.2.1 shows a connection diagram between LCD8A and an LCD panel.

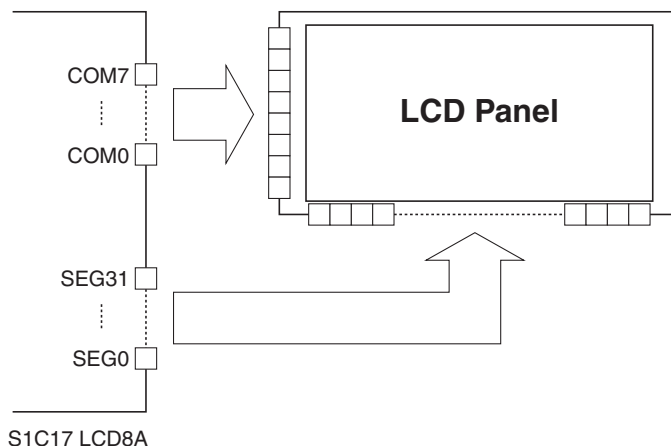


Figure 14.2.2.1 Connections between LCD8A and an LCD Panel

14.3 Clock Settings

14.3.1 LCD8A Operating Clock

When using LCD8A, the LCD8A operating clock CLK_LCD8A must be supplied to LCD8A from the clock generator. The CLK_LCD8A supply should be controlled as in the procedure shown below.

1. Enable the clock source in the clock generator if it is stopped (refer to “Clock Generator” in the “Power Supply, Reset, and Clocks” chapter).
2. Set the following LCD8CLK register bits:
 - LCD8CLK.CLKSRC[1:0] bits (Clock source selection)
 - LCD8CLK.CLKDIV[2:0] bits (Clock division ratio selection = Clock frequency setting)

The CLK_LCD8A frequency should be set to around 32 kHz.

14.3.2 Clock Supply in SLEEP Mode

When using LCD8A during SLEEP mode, the LCD8A operating clock CLK_LCD8A must be configured so that it will keep supplying by writing 0 to the CLGOSC.xxxxSLPC bit for the CLK_LCD8A clock source.

14.3.3 Clock Supply in DEBUG Mode

The CLK_LCD8A supply during DEBUG mode should be controlled using the LCD8CLK.DBRUN bit.

The CLK_LCD8A supply to LCD8A is suspended when the CPU enters DEBUG mode if the LCD8CLK.DBRUN bit = 0. After the CPU returns to normal mode, the CLK_LCD8A supply resumes. Although LCD8A stops operating and the display is turned off when the CLK_LCD8A supply is suspended, the registers retain the status before DEBUG mode was entered. If the LCD8CLK.DBRUN bit = 1, the CLK_LCD8A supply is not suspended and LCD8A will keep operating in DEBUG mode.

14.3.4 Frame Frequency

The LCD8A frame signal is generated by dividing CLK_LCD8A. The frame frequency is determined by selecting a division ratio from 16 variations depending on the drive duty using the LCD8TIM.FRMCNT[3:0] bits. Use the following equation to calculate the frame frequency.

$$f_{FR} = \frac{f_{CLK_LCD8A}}{16 \times (FRMCNT + 1) \times (LDUTY + 1)} \quad (\text{Eq. 14.1})$$

Where

f_{FR} : Frame frequency [Hz]

f_{CLK_LCD8A} : LCD8A operating clock frequency [Hz]

FRMCNT: LCD8TIM.FRMCNT[3:0] setting value (0 to 15)

LDUTY: LCD8TIM.LDUTY[2:0] setting value (0 to 7)

Table 14.3.4.1 lists frame frequency settings when $f_{CLK_LCD8A} = 32,768$ Hz as an example.

Table 14.3.4.1 Frame Frequency Settings (when $f_{CLK_LCD8A} = 32,768$ Hz)

LCD8TIM. FRMCNT[3:0] bits	Frame frequency [Hz]							
	1/8 duty	1/7 duty	1/6 duty	1/5 duty	1/4 duty	1/3 duty	1/2 duty	Static
15	16.0	18.3	21.3	25.6	32.0	42.7	64.0	128.0
14	17.1	19.5	22.8	27.3	34.1	45.5	68.3	136.5
13	18.3	20.9	24.4	29.3	36.6	48.8	73.1	146.3
12	19.7	22.5	26.3	31.5	39.4	52.5	78.8	157.5
11	21.3	24.4	28.4	34.1	42.7	56.9	85.3	170.7
10	23.3	26.6	31.0	37.2	46.5	62.1	93.1	186.2
9	25.6	29.3	34.1	41.0	51.2	68.3	102.4	204.8
8	28.4	32.5	37.9	45.5	56.9	75.9	113.8	227.6
7	32.0	36.6	42.7	51.2	64.0	85.3	128.0	256.0
6	36.6	41.8	48.8	58.5	73.1	97.5	146.3	292.6
5	42.7	48.8	56.9	68.3	85.3	113.8	170.7	341.3
4	51.2	58.5	68.3	81.9	102.4	136.5	204.8	409.6
3	64.0	73.1	85.3	102.4	128.0	170.7	256.0	512.0
2	85.3	97.5	113.8	136.5	170.7	227.6	341.3	682.7
1	128.0	146.3	170.7	204.8	256.0	341.3	512.0	1,024.0
0	256.0	292.6	341.3	409.6	512.0	682.7	1,024.0	2,048.0

The frame signal can be monitored at the LFRO pin.

14.4 LCD Power Supply

The LCD drive voltages V_{C1} to V_{C3} can be generated by the internal LCD power supply circuit (LCD voltage regulator and LCD voltage booster). One or all voltages can also be applied from outside the IC.

14.4.1 Internal Generation Mode

This mode generates all the LCD drive voltages V_{C1} to V_{C3} on the chip. To put LCD8A into internal generation mode, set both the LCD8PWR.VCEN and LCD8PWR.BSTEN bits to 1 to turn both the LCD voltage regulator and LCD voltage booster on. Figure 14.4.1.1 shows an external connection example for internal generation mode.

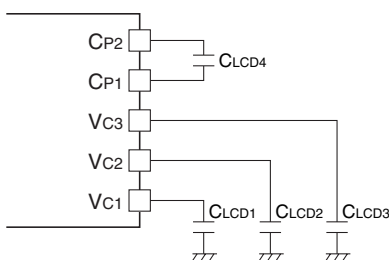


Figure 14.4.1.1 External Connection Example for Internal Generation Mode

14.4.2 External Voltage Application Mode 1

In this mode, all the LCD drive voltages V_{C1} to V_{C3} are applied from outside the IC. To put LCD8A into external voltage application mode 1, set both the LCD8PWR.VCEN and LCD8PWR.BSTEN bits to 0 to turn both the LCD voltage regulator and LCD voltage booster off. Figure 14.4.2.1 shows an external connection example for external voltage application mode 1.

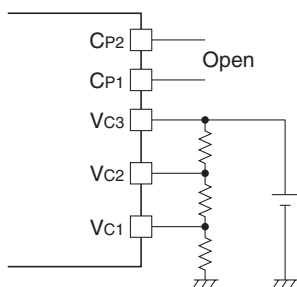


Figure 14.4.2.1 External Connection Example for External Voltage Application Mode 1 (resistor divider)

14.4.3 External Voltage Application Mode 2

In this mode, the LCD drive voltage V_{C1} or V_{C2} is applied from outside the IC and other voltages are internally generated. To put LCD8A into external voltage application mode 2, set the LCD8PWR.VCEN bit to 0 to turn the LCD voltage regulator off and the LCD8PWR.BSTEN bit to 1 to turn the LCD voltage booster on. Figure 14.4.3.1 shows an external connection example for external voltage application mode 2.

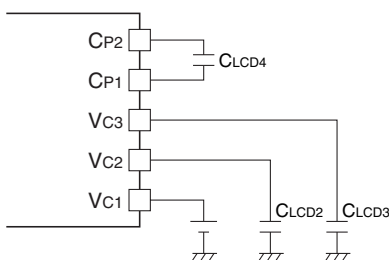


Figure 14.4.3.1 External Connection Example for External Voltage Application Mode 1 (when V_{C1} is applied)

14.4.4 LCD Voltage Regulator Settings

When using internal generation mode, select the reference voltage for boosting voltage generated by the LCD voltage regulator according to the power supply voltage V_{DD} . Set the LCD8PWR.VCSEL bit as shown in Table 14.4.4.1. Current consumption can be reduced by selecting reference voltage V_{C2} as compared with reference voltage V_{C1} .

Table 14.4.4.1 Selecting Reference Voltage for Boosting Voltage According to Power Supply Voltage V_{DD}

LCD8PWR.VCSEL bit	Power supply voltage V_{DD}	Reference voltage for boosting voltage
0	1.8 to 5.5 V	V_{C1}
1	2.5 to 5.5 V	V_{C2}

By setting the LCD8PWR.HVLD bit to 1, the LCD voltage regulator enters heavy load protection mode and ensures stable V_{C1} to V_{C3} outputs. Heavy load protection mode should be set when the display has inconsistencies in density. Current consumption increases in heavy load protection mode, therefore do not set heavy load protection mode if unnecessary.

14.4.5 LCD Voltage Booster Setting

Set the booster clock frequency used in the LCD voltage booster using the LCD8TIM.BSTC[1:0] bits. Set it to the frequency that provides the best V_{C1} – V_{C3} output stability after being evaluated using the actual circuit board.

14.4.6 LCD Contrast Adjustment

The LCD panel contrast can be adjusted within 16 levels using the LCD8PWR.LC[3:0] bits. This function is realized by controlling the voltage output from the LCD voltage regulator. Therefore, the LCD8PWR.LC[3:0] bits cannot be used for contrast adjustment in external voltage application modes 1 and 2.

14.5 Operations

14.5.1 Initialization

The LCD8A should be initialized with the procedure shown below.

- Assign the LCD8A output function to the ports. (Refer to the “I/O Ports” chapter.)
- Configure the LCD8CLK.CLKSRC[1:0] and LCD8CLK.CLKDIV[2:0] bits. (Configure operating clock)
- Write 1 to the LCD8CTL.MODEN bit. (Enable LCD8A operating clock)
- Configure the following LCD8TIM register bits:
 - LCD8TIM.LDUTY[2:0] bits (Set drive duty)
 - LCD8TIM.FRMCNT[3:0] bits (Set frame frequency)
 - LCD8TIM.NLINE[2:0] bits (Set n-line inverse AC drive)
 - LCD8TIM.BSTC[1:0] bits (Set booster clock frequency)
- Configure the following LCD8PWR register bits:
 - LCD8PWR.VCEN bit (Enable LCD voltage regulator)
 - LCD8PWR.VCSEL bit (Set reference voltage for boosting)
 - LCD8PWR.BSTEN bit (Enable LCD voltage booster)
 - LCD8PWR.LC[3:0] bits (Set LCD contrast initial value)
- Configure the following LCD8DSP register bits:
 - LCD8DSP.DSPAR bit (Select display area)
 - LCD8DSP.COMREV bit (Select COM pin assignment direction)
 - LCD8DSP.SEGREV bit (Select SEG pin assignment direction)
- Write display data to the display data RAM.
- Set the following bits when using the interrupt:
 - Write 1 to the LCD8INTF.FRMIF bit. (Clear interrupt flag)
 - Set the LCD8INTE.FRMIE bit to 1. (Enable LCD8A interrupt)

14.5.2 Display On/Off

The LCD display state is controlled using the LCD8DSP.DSPC[1:0] bits.

Table 14.5.2.1 LCD Display Control

LCD8DSP.DSPC[1:0] bits	LCD display
0x3	All off (static drive)
0x2	All on
0x1	Normal display
0x0	Display off

When “Display off” is selected, the drive voltage supply stops and the LCD driver pin outputs are all set to V_{SS} level.

Since “All on” and “All off” directly control the driving waveform output by the LCD driver, data in the display data RAM is not altered. The common pins are set to dynamic drive for “All on” and to static drive for “All off.” This function can be used to make the display flash on and off without altering the display memory.

Note: When “Display off” is selected, the electric charges of V_{C4} (or V_{C3}) must be discharged in the following procedure.

<When the LCD drive voltages are generated in internal generation mode>

1. Set the LCD8DSP.DSPC[1:0] bit to 0x0. (Display off)
2. Wait until the electric charge of the LCD panel is discharged.
3. Set the LCD8PWR.VCEN bit to 0. (Disable LCD voltage regulator)
4. Set the LCD8PWR.HVLD bit to 1. (Enable heavy load protection mode)
5. Before stopping CLK_LCD8A, make certain that the V_{C4} (or V_{C3}) voltage has dropped to V_{DD} - 1 V or less.

<When the LCD drive voltages are generated in an external generation mode>

1. Set the LCD8DSP.DSPC[1:0] bit to 0x0. (Display off)
2. Wait until the electric charge of the LCD panel is discharged.
3. Turn the external power supply off.
4. Set the LCD8PWR.HVLD bit to 1. (Enable heavy load protection mode)
5. Before stopping CLK_LCD8A, make certain that the V_{C4} (or V_{C3}) voltage has dropped to V_{DD} - 1 V or less.

To turn the display on again, perform the above procedure in the reverse order.

14.5.3 Inverted Display

The LCD panel display can be inverted (black/white inversion) using merely control bit manipulation, without rewriting the display data RAM. Setting the LCD8DSP.DSPREV bit to 0 inverts the display; setting it to 1 returns the display to normal status. Note that the display will not be inverted when the LCD8DSP.DSPC[1:0] bits = 0x3 (All off).

14.5.4 Drive Duty Switching

Drive duty can be set to 1/8 to 1/2 or static drive using the LCD8TIM.LDUTY[2:0] bits. Table 14.5.4.1 shows the correspondence between the LCD8TIM.LDUTY[2:0] bit settings, drive duty, and maximum number of display segments.

Table 14.5.4.1 Drive Duty Settings

LCD8TIM.LDUTY[2:0] bits	Duty	Valid COM pins	Valid SEG pins	Max. number of display segments
0x7	1/8	COM0 to COM7	SEG0 to SEG27	224 segments
0x6	1/7	COM0 to COM6	SEG0 to SEG27	196 segments
0x5	1/6	COM0 to COM5	SEG0 to SEG27	168 segments
0x4	1/5	COM0 to COM4	SEG0 to SEG27	140 segments
0x3	1/4	COM0 to COM3	SEG0 to SEG31	128 segments
0x2	1/3	COM0 to COM2	SEG0 to SEG31	96 segments
0x1	1/2	COM0 to COM1	SEG0 to SEG31	64 segments
0x0	Static	COM0	SEG0 to SEG31	32 segments

14.5.5 Drive Waveforms

Figures 14.5.5.1 to 14.5.5.3 show some drive waveform examples.

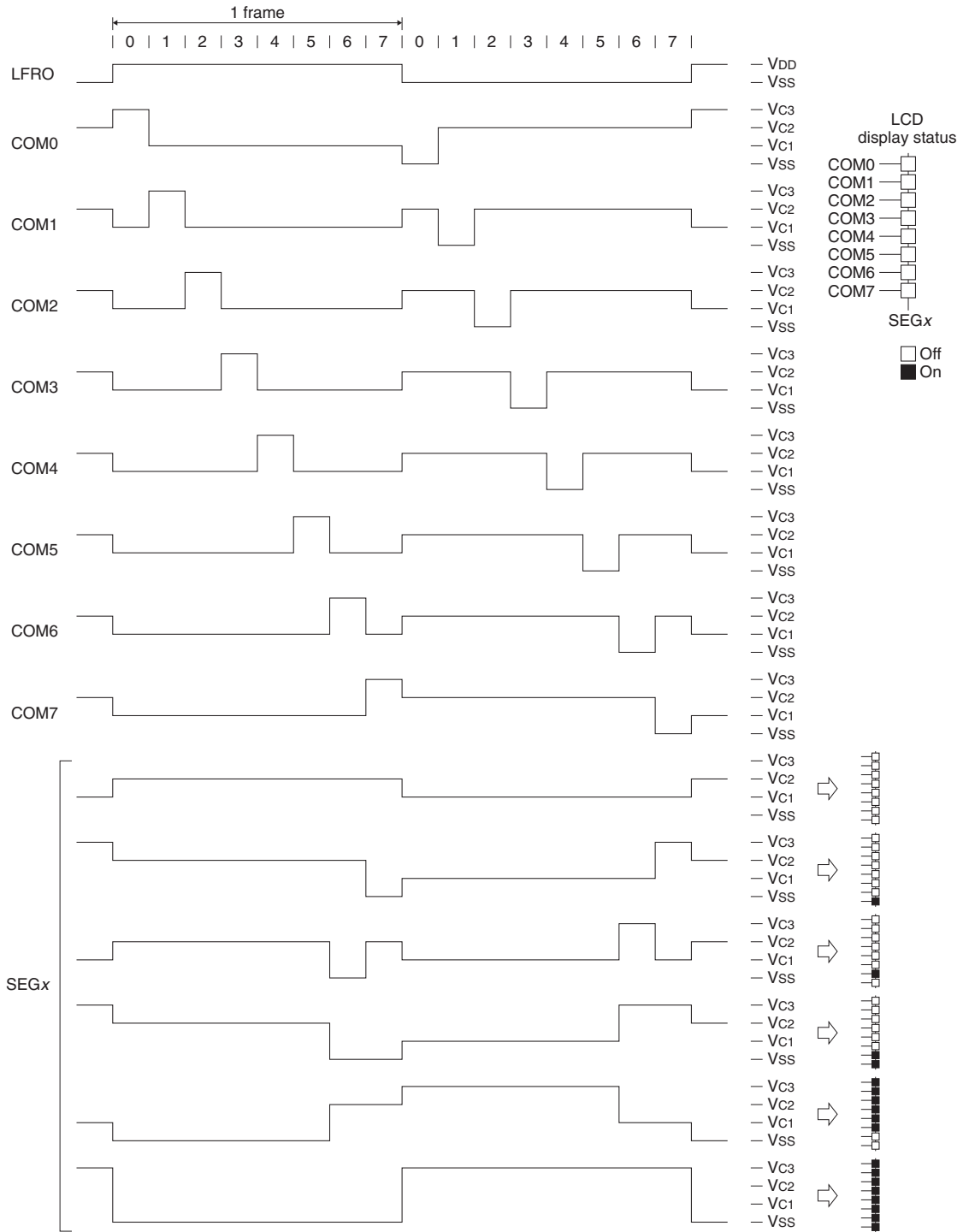


Figure 14.5.5.1 1/8 Duty Drive Waveform

14 LCD DRIVER (LCD8A)

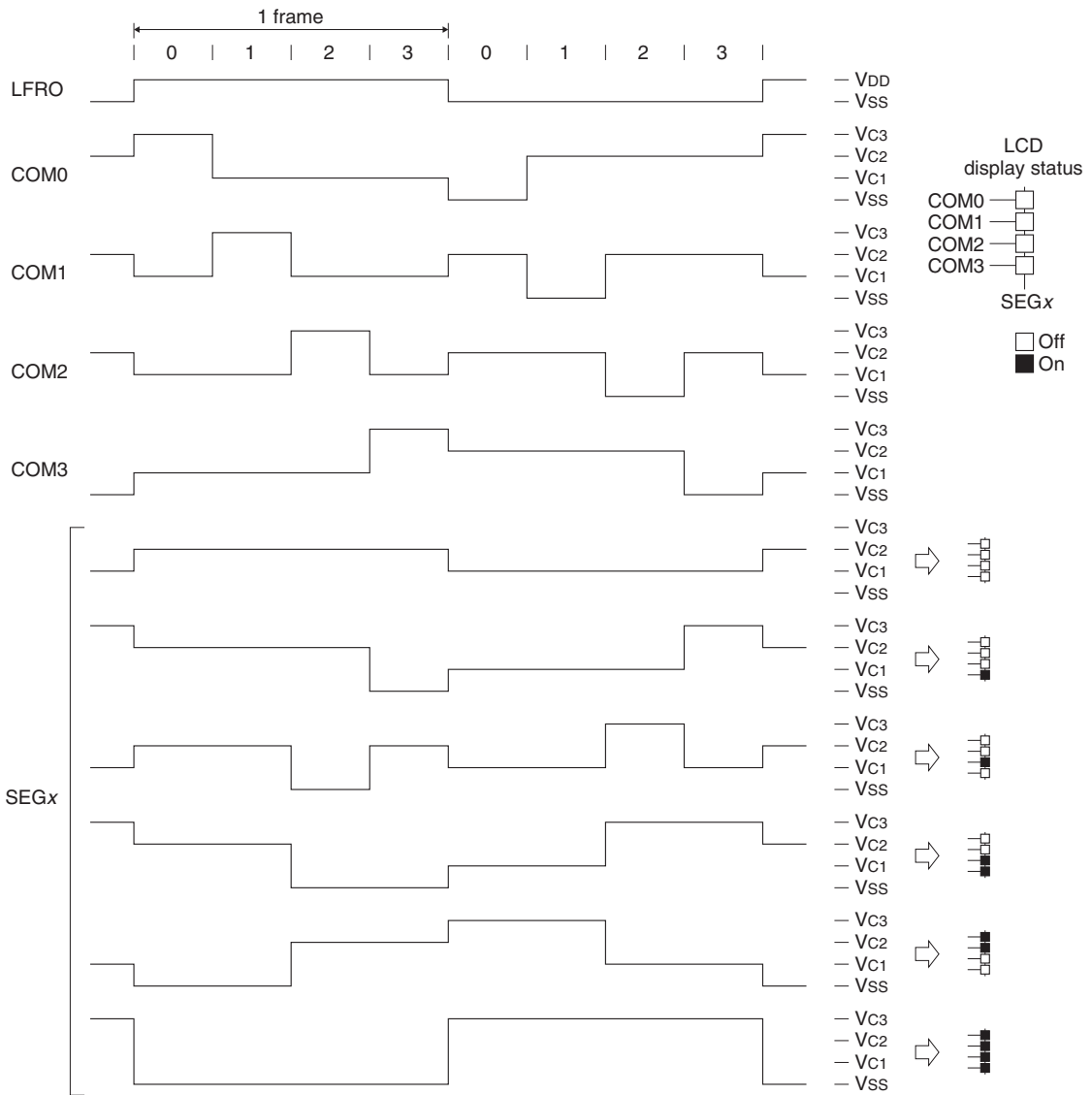


Figure 14.5.5.2 1/4 Duty Drive Waveform

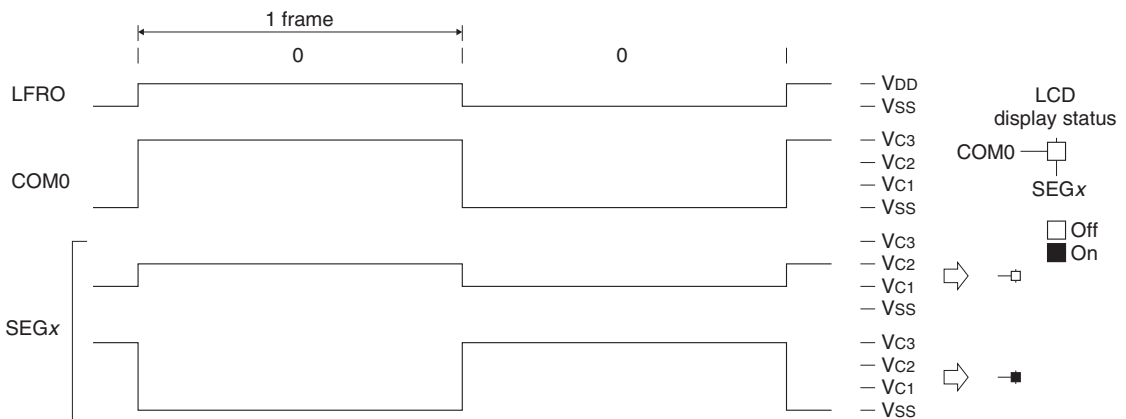


Figure 14.5.5.3 Static Drive Waveform

14.5.6 Partial Common Output Drive

By setting the LCD8DSP.COMxDEN bit ($x = \text{COM No.}$) to 0, any common outputs can be set to off waveform regardless of the display data RAM contents. The partial common output drive function limits the display to the required area only to reduce power consumption.

14.5.7 n-Segment-Line Inverse AC Drive

The n-line inverse AC drive function may improve the display quality when being reduced such as when crosstalk occurs. To activate the n-line inverse AC drive function, select the number of lines to be inverted using the LCD8TIM.NLINE[2:0] bits. The setting value should be determined after being evaluated using the actual circuit board. Note that using the n-line inverse AC drive function increases current consumption.

Table 14.5.7.1 Selecting Number of Inverse Lines

LCD8TIM.NLINE[2:0] bits	Number of inverse lines
0x7	7 lines
:	:
0x1	1 line
0x0	Normal drive

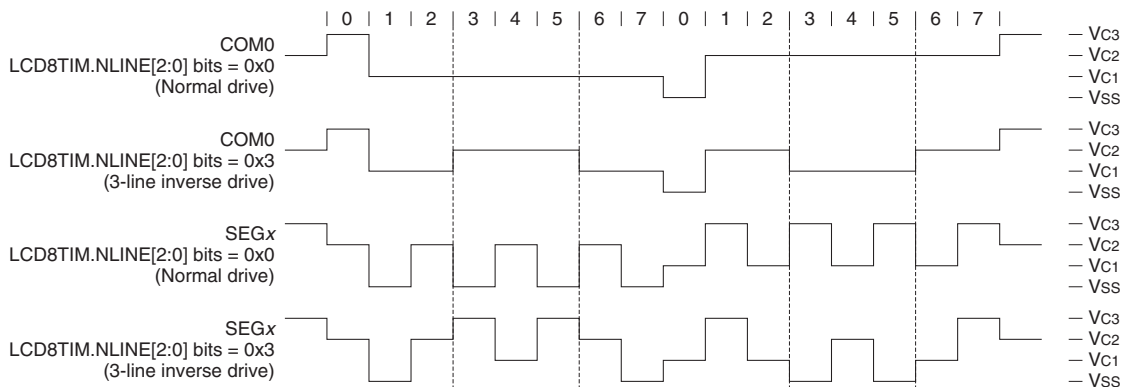


Figure 14.5.7.1 1/8 Duty Normal Drive Waveform and 3-line Inverse Drive Waveform

14.6 Display Data RAM

The display data RAM is located beginning with address 0x7000.

The correspondence between the memory bits of the display data RAM and the common/segment pins varies depending on the selected conditions below.

- Drive duty (1/8 to 1/2 or static drive)
- Segment pin assignment (normal or inverse)
- Common pin assignment (normal or inverse)

Figures 14.6.3.1 to 14.6.3.4 show the correspondence between display data RAM and the common/segment pins in some drive duties.

Writing 1 to the display data RAM bit corresponding to a segment on the LCD panel turns the segment on, while writing 0 turns the segment off. Since the display memory is a RAM allowing reading and writing, bits can be controlled individually using logic operation instructions (read-modify-write instructions).

The area unused for display can be used as general-purpose RAM.

14.6.1 Display Area Selection

When 1/4 to 1/2 duty or static drive is selected, two screen areas can be allocated in the display data RAM, and the LCD8DSP.DSPAR bit can be used to switch between the screens. Setting the LCD8DSP.DSPAR bit to 0 selects display area 0; setting to 1 selects display area 1.

14.6.2 Segment Pin Assignment

The display data RAM address assignment for the segment pins can be inverted using the LCD8DSP.SEGREV bit. When the LCD8DSP.SEGREV bit is set to 1, memory addresses are assigned to segment pins in ascending order. When the LCD8DSP.SEGREV bit is set to 0, memory addresses are assigned to segment pins in descending order.

14.6.3 Common Pin Assignment

The display data RAM bit assignment for the common pins can be inverted using the LCD8DSP.COMREV bit. When the LCD8DSP.COMREV bit is set to 1, memory bits are assigned to common pins in ascending order. When the LCD8DSP.COMREV bit is set to 0, memory bits are assigned to common pins in descending order.

Bit	Address					LCD8DSP. COMREV bit = 1	LCD8DSP. COMREV bit = 0		
	0x7000			0x701b			0x701c
D0	Display area					Unused area (general- purpose RAM)		COM0	COM7
D1								COM1	COM6
D2								COM2	COM5
D3								COM3	COM4
D4								COM4	COM3
D5								COM5	COM2
D6								COM6	COM1
D7								COM7	COM0
LCD8DSP.SEGREV bit = 1	SEG0			SEG27				
LCD8DSP.SEGREV bit = 0	SEG27			SEG0				

Figure 14.6.3.1 Display Data RAM Map (1/8 duty)

Bit	Address					LCD8DSP. COMREV bit = 1	LCD8DSP. COMREV bit = 0		
	0x7000			0x701b			0x701c
D0	Display area					Unused area (general- purpose RAM)		COM0	COM4
D1								COM1	COM3
D2								COM2	COM2
D3								COM3	COM1
D4								COM4	COM0
D5								-	-
D6								-	-
D7								-	-
LCD8DSP.SEGREV bit = 1	SEG0			SEG27				
LCD8DSP.SEGREV bit = 0	SEG27			SEG0				

Figure 14.6.3.2 Display Data RAM Map (1/5 duty)

Bit	Address		LCD8DSP.COMREV bit = 1	LCD8DSP.COMREV bit = 0
	0x7000	0x701f		
D0	Display area 0		COM0	COM3
D1			COM1	COM2
D2			COM2	COM1
D3			COM3	COM0
D4	Display area 1		COM0	COM3
D5			COM1	COM2
D6			COM2	COM1
D7			COM3	COM0
LCD8DSP.SEGREV bit = 1	SEG0	SEG31	
LCD8DSP.SEGREV bit = 0	SEG31	SEG0	

Figure 14.6.3.3 Display Data RAM Map (1/4 duty)

Bit	Address		LCD8DSP.COMREV bit = 1	LCD8DSP.COMREV bit = 0
	0x7000	0x701f		
D0	Display area 0		COM0	COM0
D1	Unused area (general-purpose RAM)		-	-
D2			-	-
D3			-	-
D4	Display area 1		COM0	COM0
D5	Unused area (general-purpose RAM)		-	-
D6			-	-
D7			-	-
LCD8DSP.SEGREV bit = 1	SEG0	SEG31	
LCD8DSP.SEGREV bit = 0	SEG31	SEG0	

Figure 14.6.3.4 Display Data RAM Map (static drive)

14.7 Interrupt

The LCD8A has a function to generate the interrupt shown in Table 14.7.1.

Table 14.7.1 LCD8A Interrupt Function

Interrupt	Interrupt flag	Set condition	Clear condition
Frame	LCD8INTF.FRMIIF	Frame switching	Writing 1

The LCD8A provides an interrupt enable bit corresponding to the interrupt flag. An interrupt request is sent to the interrupt controller only when the interrupt flag, of which interrupt has been enabled by the interrupt enable bit, is set. For more information on interrupt control, refer to the “Interrupt Controller” chapter.

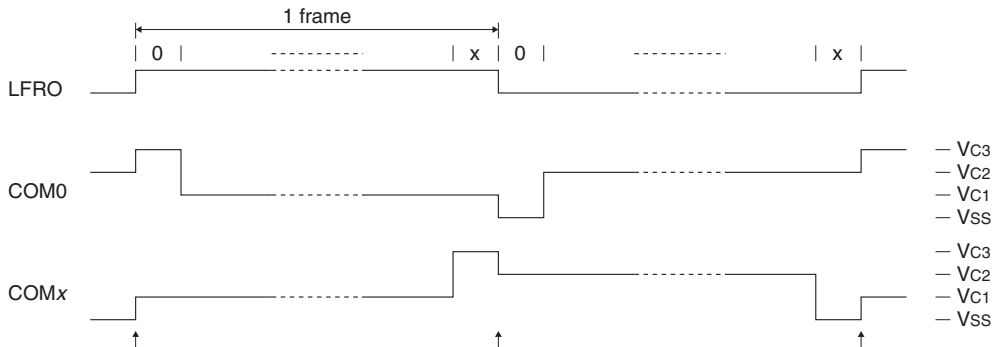


Figure 14.7.1 Frame Interrupt Timings (1/x duty)

14.8 Control Registers

LCD8A Clock Control Register

Register name	Bit	Bit name	Initial	Reset	R/W	Remarks
LCD8CLK	15–9	–	0x00	–	R	–
	8	DBRUN	1	H0	R/W	
	7	–	0	–	R	
	6–4	CLKDIV[2:0]	0x0	H0	R/W	
	3–2	–	0x0	–	R	
	1–0	CLKSRC[1:0]	0x0	H0	R/W	

Bits 15–9 Reserved

Bit 8 DBRUN

This bit sets whether the LCD8A operating clock is supplied in DEBUG mode or not.

1 (R/W): Clock supplied in DEBUG mode

0 (R/W): No clock supplied in DEBUG mode

Bit 7 Reserved

Bits 6–4 CLKDIV[2:0]

These bits select the division ratio of the LCD8A operating clock.

Bits 3–2 Reserved

Bits 1–0 CLKSRC[1:0]

These bits select the clock source of the LCD8A.

Table 14.8.1 Clock Source and Division Ratio Settings

LCD8CLK. CLKDIV[2:0] bits	LCD8CLK.CLKSRC[1:0] bits			
	0x0	0x1	0x2	0x3
	IOSC	OSC1	OSC3	EXOSC
0x7	Reserved	1/1	Reserved	1/1
0x6				
0x5	1/512		1/512	
0x4	1/256		1/256	
0x3	1/128		1/128	
0x2	1/64		1/64	
0x1	1/32		1/32	
0x0	1/16		1/16	

(Note) The oscillation circuits/external input that are not supported in this IC cannot be selected as the clock source.

Note: The LCD8CLK register settings can be altered only when the LCD8CTL.MODEN bit = 0.

LCD8A Control Register

Register name	Bit	Bit name	Initial	Reset	R/W	Remarks
LCD8CTL	15–8	–	0x00	–	R	–
	7–1	–	0x00	–	R	
	0	MODEN	0	H0	R/W	

Bits 15–1 Reserved

Bit 0 MODEN

This bit enables the LCD8A operations.

1 (R/W): Enable LCD8A operations (The operating clock is supplied.)

0 (R/W): Disable LCD8A operations (The operating clock is stopped.)

Note: If the LCD8CTL.MODEN bit is altered from 1 to 0 while the LCD panel is displaying, the LCD display is automatically turned off and the LCD8DSP.DSPC[1:0] bits are also set to 0x0.

LCD8A Timing Control Register

Register name	Bit	Bit name	Initial	Reset	R/W	Remarks
LCD8TIM	15–14	–	0x0	–	R	–
	13–12	BSTC[1:0]	0x1	H0	R/W	
	11	–	0	–	R	
	10–8	NLINE[2:0]	0x0	H0	R/W	
	7–4	FRMCNT[3:0]	0x3	H0	R/W	
	3	–	0	–	R	
	2–0	LDUTY[2:0]	0x7	H0	R/W	

Bits 15–14 Reserved

Bits 13–12 BSTC[1:0]

These bits select the booster clock frequency for the LCD voltage booster.

Table 14.8.2 Booster Clock Frequency

LCD8TIM.BSTC[1:0] bits	Booster clock frequency [Hz]
0x3	fCLK_LCD8A/64
0x2	fCLK_LCD8A/32
0x1	fCLK_LCD8A/16
0x0	fCLK_LCD8A/4

fCLK_LCD8A: LCD8A operating clock frequency [Hz]

Bit 11 Reserved

Bits 10–8 NLINE[2:0]

These bits enable the n-line inverse AC drive function and set the number of inverse lines. For more information, refer to “n-Segment-Line Inverse AC Drive.”

Bits 7–4 FRMCNT[3:0]

These bits set the frame frequency. For more information, refer to “Frame Frequency.”

Bit 3 Reserved

Bits 2–0 LDUTY[2:0]

These bits set the drive duty. For more information, refer to “Drive Duty Switching.”

LCD8A Power Control Register

Register name	Bit	Bit name	Initial	Reset	R/W	Remarks
LCD8PWR	15–12	LC[3:0]	0x0	H0	R/W	–
	11–9	–	0x0	–	R	
	8	BSTEN	0	H0	R/W	
	7–3	–	0x00	–	R	
	2	HVLD	0	H0	R/W	
	1	VCSEL	0	H0	R/W	
	0	VCEN	0	H0	R/W	

Bits 15–12 LC[3:0]

These bits set the LCD panel contrast.

Table 14.8.3 LCD Contrast Adjustment

LCD8PWR.LC[3:0] bits	Contrast
0xf	High (dark)
0xe	↑
:	:
0x1	↓
0x0	Low (light)

Bits 11–9 Reserved

14 LCD DRIVER (LCD8A)

Bit 8 **BSTEN**

This bit turns the LCD voltage booster on and off.

1 (R/W): LCD voltage booster on

0 (R/W): LCD voltage booster off

For more information, refer to “LCD Power Supply.”

Bits 7–3 **Reserved**

Bit 2 **HVLD**

This bit sets the LCD voltage regulator into heavy load protection mode.

1 (R/W): Heavy load protection mode

0 (R/W): Normal mode

For more information, refer to “LCD Voltage Regulator Settings.”

Bit 1 **VCSEL**

This bit sets the LCD voltage regulator output (reference voltage for boosting).

1 (R/W): V_{C2}

0 (R/W): V_{C1}

For more information, refer to “LCD Voltage Regulator Settings.”

Bit 0 **VCEN**

This bit turns the LCD voltage regulator on and off.

1 (R/W): LCD voltage regulator on

0 (R/W): LCD voltage regulator off

For more information, refer to “LCD Power Supply.”

LCD8A Display Control Register

Register name	Bit	Bit name	Initial	Reset	R/W	Remarks
LCD8DSP	15	COM7DEN	1	H0	R/W	-
	14	COM6DEN	1	H0	R/W	
	13	COM5DEN	1	H0	R/W	
	12	COM4DEN	1	H0	R/W	
	11	COM3DEN	1	H0	R/W	
	10	COM2DEN	1	H0	R/W	
	9	COM1DEN	1	H0	R/W	
	8	COM0DEN	1	H0	R/W	
	7	-	0	-	R	
	6	SEGREV	1	H0	R/W	
	5	COMREV	1	H0	R/W	
	4	DSPREV	1	H0	R/W	
	3	-	0	-	R	
	2	DSPAR	0	H0	R/W	
1-0	DSPC[1:0]	0x0	H0	R/W		

Bit 15 **COM7DEN**

Bit 14 **COM6DEN**

Bit 13 **COM5DEN**

Bit 12 **COM4DEN**

Bit 11 **COM3DEN**

Bit 10 **COM2DEN**

Bit 9 **COM1DEN**

Bit 8 **COM0DEN**

These bits configure the partial drive of the common output pins.

1 (R/W): Normal output

0 (R/W): Off waveform output

The following shows the correspondence between the bit and the common output pin:

COM7DEN: COM7 pin

COM6DEN: COM6 pin

COM5DEN: COM5 pin

COM4DEN: COM4 pin

COM3DEN: COM3 pin

COM2DEN: COM2 pin

COM1DEN: COM1 pin

COM0DEN: COM0 pin

Bit 7 **Reserved**

Bit 6 **SEGREV**

This bit selects the segment pin assignment direction.

1 (R/W): Normal assignment

0 (R/W): Inverse assignment

For more information, see Figures 14.6.3.1 to 14.6.3.4.

Bit 5 **COMREV**

This bit selects the common pin assignment direction.

1 (R/W): Normal assignment

0 (R/W): Inverse assignment

For more information, see Figures 14.6.3.1 to 14.6.3.4.

Bit 4 **DSPREV**

This bit controls black/white inversion on the LCD display.

1 (R/W): Normal display

0 (R/W): Inverted display

Bit 3 **Reserved**

Bit 2 **DSPAR**

This bit switches the display area in the display data RAM.

1 (R/W): Display area 1

0 (R/W): Display area 0

Note: The display area switching takes effect only for 1/4 to 1/2 duty or static drive.

Bits 1–0 **DSPC[1:0]**

These bits control the LCD display on/off and select a display mode. For more information, refer to “Display On/Off.”

LCD8A Interrupt Flag Register

Register name	Bit	Bit name	Initial	Reset	R/W	Remarks
LCD8INTF	15–8	–	0x00	–	R	–
	7–1	–	0x00	–	R	
	0	FRMIF	0	H0	R/W	Cleared by writing 1.

Bits 15–1 **Reserved**

Bit 0 **FRMIF**

This bit indicates the frame interrupt cause occurrence status.

1 (R): Cause of interrupt occurred

0 (R): No cause of interrupt occurred

1 (W): Clear flag

0 (W): Ineffective

LCD8A Interrupt Enable Register

Register name	Bit	Bit name	Initial	Reset	R/W	Remarks
LCD8INTE	15-8	-	0x00	-	R	-
	7-1	-	0x00	-	R	
	0	FRMIE	0	H0	R/W	

Bits 15-1 Reserved**Bit 0 FRMIE**

This bit enables the frame interrupt.

1 (R/W): Enable interrupt

0 (R/W): Disable interrupt

15 R/F Converter (RFC)

15.1 Overview

The RFC is a CR oscillation type A/D converter (R/F converter).

The features of the RFC are listed below.

- Converts the sensor resistance into a digital value by performing CR oscillation and counting the oscillation clock.
- Achieves high-precision measurement system with low errors by oscillating the reference resistor and the sensor in the same conditions to obtain the difference between them.
- Includes a 24-bit measurement counter to count the oscillation clocks.
- Includes a 24-bit time base counter to count the internal clock for equalizing the measurement time between the reference resistor and the sensor.
- Supports DC bias resistive sensors and AC bias resistive sensors.
(A thermometer/hygrometer can be easily implemented by connecting a thermistor or a humidity sensor and a few passive elements (resistor and capacitor).)
- Allows measurement (counting) by inputting external clocks.
- Provides an output and continuous oscillation function for monitoring the oscillation frequency.
- Can generate reference oscillation completion, sensor (A and B) oscillation completion, measurement counter overflow error, and time base counter overflow error interrupts.

Figure 15.1.1 shows the RFC configuration.

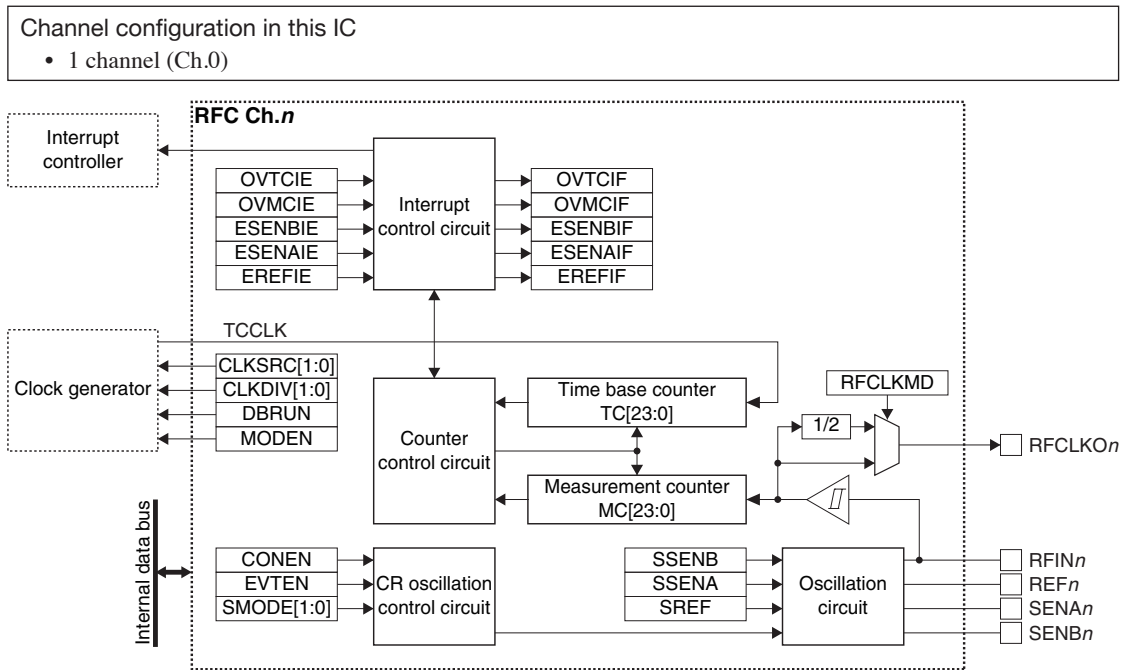


Figure 15.1.1 RFC Configuration

15.2 Input/Output Pins and External Connections

15.2.1 List of Input/Output Pins

Table 15.2.1.1 lists the RFC pins.

Table 15.2.1.1 List of RFC Pins

Pin name	I/O*	Initial status*	Function
SENB n	A	Hi-Z	Sensor B oscillation control pin
SENA n	A	Hi-Z	Sensor A oscillation control pin
REF n	A	Hi-Z	Reference oscillation control pin
RFIN n	A	V _{ss}	RFCLK input or oscillation control pin
RFCLKO n	O	Hi-Z	RFCLK monitoring output pin RFCLK is output to monitor the oscillation frequency.

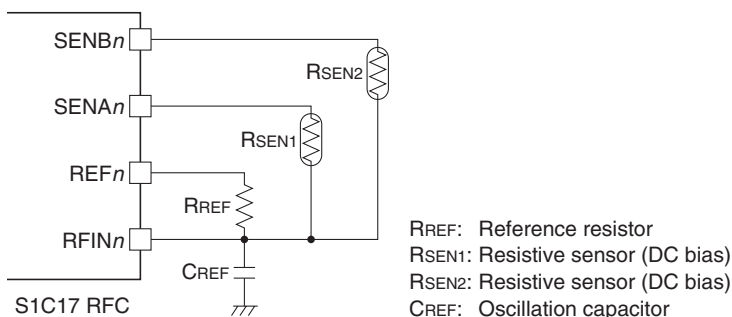
* Indicates the status when the pin is configured for the RFC.

If the port is shared with the RFC pin and other functions, the RFC input/output function must be assigned to the port before activating the RFC. For more information, refer to the “I/O Ports” chapter.

Note: The RFIN n pin goes to V_{ss} level when the port is switched. Be aware that large current may flow if the pin is biased by an external circuit.

15.2.2 External Connections

The figures below show connection examples between the RFC and external sensors. For the oscillation mode and external clock input mode, refer to “Operating Mode.”



* Leave the unused pin (SENA n or SENB n) open if one resistive sensor only is used.

Figure 15.2.2.1 Connection Example in Resistive Sensor DC Oscillation Mode

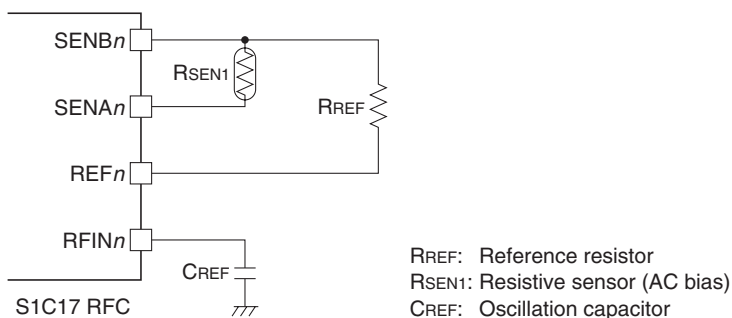
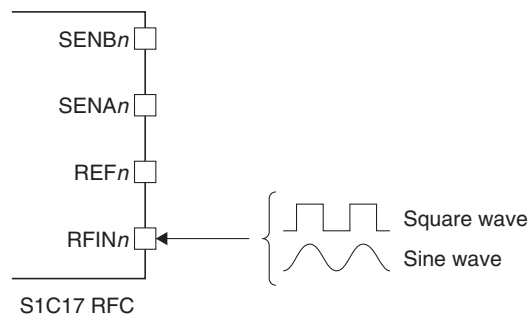


Figure 15.2.2.2 Connection Example in Resistive Sensor AC Oscillation Mode



* Leave the unused pins open.

Figure 15.2.2.3 External Clock Input in External Clock Input Mode

15.3 Clock Settings

15.3.1 RFC Operating Clock

When using the RFC, the RFC operating clock TCCLK must be supplied to the RFC from the clock generator. The TCCLK supply should be controlled as in the procedure shown below.

1. Enable the clock source in the clock generator if it is stopped (refer to “Clock Generator” in the “Power Supply, Reset, and Clocks” chapter).
2. Set the following RFCnCLK register bits:
 - RFCnCLK.CLKSRC[1:0] bits (Clock source selection)
 - RFCnCLK.CLKDIV[1:0] bits (Clock division ratio selection = Clock frequency setting)

The time base counter performs counting with TCCLK set here. Selecting a higher clock results in higher conversion accuracy, note, however, that the frequency should be determined so that the time base counter will not overflow during reference oscillation.

15.3.2 Clock Supply in SLEEP Mode

When using RFC during SLEEP mode, the RFC operating clock TCCLK must be configured so that it will keep supplying by writing 0 to the CLGOSC.xxxxSLPC bit for the TCCLK clock source.

15.3.3 Clock Supply in DEBUG Mode

The TCCLK supply during DEBUG mode should be controlled using the RFCnCLK.DBRUN bit.

The TCCLK supply to the RFC is suspended when the CPU enters DEBUG mode if the RFCnCLK.DBRUN bit = 0. After the CPU returns to normal mode, the TCCLK supply resumes. Although the RFC stops operating when the TCCLK supply is suspended, the output pin and registers retain the status before DEBUG mode was entered. If the RFCnCLK.DBRUN bit = 1, the TCCLK supply is not suspended and the RFC will keep operating in DEBUG mode.

15.4 Operations

15.4.1 Initialization

The RFC should be initialized with the procedure shown below.

1. Configure the RFCnCLK.CLKSRC[1:0] and RFCnCLK.CLKDIV[1:0] bits. (Configure operating clock)
2. Set the following bits when using the interrupt:
 - Write 1 to the interrupt flags in the RFCnINTF register. (Clear interrupt flags)
 - Set the interrupt enable bits in the RFCnINTE register to 1. (Enable interrupts)
3. Assign the RFC input/output function to the ports. (Refer to the “I/O Ports” chapter.)

15 R/F CONVERTER (RFC)

4. Configure the following RFC_nCTL register bits:
 - RFC_nCTL.EVTEN bit (Enable/disable external clock input mode)
 - RFC_nCTL.SMODE[1:0] bits (Select oscillation mode)
 - Set the RFC_nCTL.MODEN bit to 1. (Enable RFC operations)

15.4.2 Operating Modes

The RFC has two oscillation modes that use the RFC internal oscillation circuit and an external clock input mode for measurements using an external input clock. The channels may be configured to a different mode from others.

Oscillation mode

The oscillation mode is selected using the RFC_nCTL.SMODE[1:0] bits.

DC oscillation mode for resistive sensor measurements

This mode performs measurements by DC driving the reference resistor and the resistive sensor to oscillate. Set the RFC into this mode when a DC bias resistive sensor is connected. This mode allows connection of two resistive sensors to a channel.

AC oscillation mode for resistive sensor measurements

This mode performs measurements by AC driving the reference resistor and the resistive sensor to oscillate. Set the RFC into this mode when an AC bias resistive sensor is connected. One resistive sensor only can be connected to a channel.

External clock input mode (event counter mode)

This mode enables input of external clock/pulses to perform counting similar to the internal oscillation clock. A sine wave may be input as well as a square wave (for the threshold value of the Schmitt input, refer to “R/F Converter Characteristics, High level Schmitt input threshold voltage V_{T+} and Low level Schmitt input threshold voltage V_{T-} ” in the “Electrical Characteristics” chapter). This function is enabled by setting the RFC_nCTL.EVTEN bit to 1. The measurement procedure is the same as when the internal oscillation circuit is used.

15.4.3 RFC Counters

The RFC incorporates two counters shown below.

Measurement counter (MC)

The measurement counter is a 24-bit presettable up counter. Counting the reference oscillation clock and the sensor oscillation clock for the same duration of time using this counter minimizes errors caused by voltage, and unevenness of IC quality, as well as external parts and on-board parasitic elements. The counter values should be corrected via software after the reference and sensor oscillations are completed according to the sensor characteristics to determine the value being currently detected by the sensor.

Time base counter (TC)

The time base counter is a 24-bit presettable up/down counter. The time base counter counts up with TCCLK during reference oscillation to measure the reference oscillation time. During sensor oscillation, it counts down from the reference oscillation time and stops the sensor oscillation when it reaches 0x000000. This means that the sensor oscillation time becomes equal to the reference oscillation time. The value counted during reference oscillation should be saved in the memory. It can be reused at subsequent sensor oscillations omitting reference oscillations.

Counter initial value

To obtain the difference between the reference oscillation and sensor oscillation clock count values from the measurement counter simply, appropriate initial values must be set to the measurement counter before starting reference oscillation.

Connecting the reference element and sensor with the same resistance will result in <Initial value: n> = <Counter value at the end of sensor oscillation: m> (if error = 0). Setting a large <Initial value: n> increases the resolution of measurement. However, the measurement counter may overflow during sensor oscillation when the sensor value decreases below the reference element value (the measurement will be canceled). The initial value for the measurement counter should be determined taking the range of sensor value into consideration. The time base counter should be set to 0x000000 before starting reference oscillation.

Counter value read

The measurement and time base counters operate on RFCCLK and TCCLK, respectively. Therefore, to read correctly by the CPU while the counter is running, read the counter value twice or more and check to see if the same value is read.

15.4.4 Converting Operations and Control Procedure

An R/F conversion procedure and the RFC operations are shown below. Although the following descriptions assume that the internal oscillation circuit is used, external clock input mode can be controlled with the same procedure.

R/F control procedure

1. Set the initial value (0x000000 - n) to the RFCnMCH and RFCnMCL registers (measurement counter).
2. Clear the RFCnTCH and RFCnTCL registers (time base counter) to 0x000000.
3. Clear both the RFCnINTF.EREFIF and RFCnINTF.OVTCIF bits by writing 1.
4. Set the RFCnTRG.SREF bit to 1 to start reference oscillation.
5. Wait for an RFC interrupt.
 - i. If the RFCnINTF.EREFIF bit = 1 (reference oscillation completion), clear the RFCnINTF.EREFIF bit and then go to Step 6.
 - ii. If the RFCnINTF.OVTCIF bit = 1 (time base counter overflow error), clear the RFCnINTF.OVTCIF bit and terminate measurement as an error or retry after altering the measurement counter initial value.
6. Clear the RFCnINTF.ESENAIF, RFCnINTF.ESENBIF, and RFCnINTF.OVMCIF bits by writing 1.
7. Set the RFCnTRG.SSENA bit (sensor A) or the RFCnTRG.SSENB bit (sensor B) corresponding to the sensor to be measured to 1 to start sensor oscillation (use the RFCnTRG.SSENA bit in AC oscillation mode).
8. Wait for an RFC interrupt.
 - i. If the RFCnINTF.ESENAIF bit = 1 (sensor A oscillation completion) or the RFCnINTF.ESENBIF bit = 1 (sensor B oscillation completion), clear the RFCnINTF.ESENAIF or RFCnINTF.ESENBIF bit and then go to Step 9.
 - ii. If the RFCnINTF.OVMCIF bit = 1 (measurement counter overflow error), clear the RFCnINTF.OVMCIF bit and terminate measurement as an error or retry after altering the measurement counter initial value.
9. Read the RFCnMCH and RFCnMCL registers (measurement counter) and correct the results depending on the sensor to obtain the detected value.

R/F converting operations

Reference oscillation

When the RFCnTRG.SREF bit is set to 1 in Step 4 of the conversion procedure above, the RFC Ch.n starts CR oscillation using the reference resistor. The measurement counter starts counting up using the CR oscillation clock from the initial value that has been set. The time base counter starts counting up using TCCLK from 0x000000.

When the measurement counter or the time base counter overflows (0xfffff → 0x000000), the RFCnTRG.SREF bit is cleared to 0 and the reference oscillation stops automatically.

The measurement counter overflow sets the RFCnINTF.EREFIF bit to 1 indicating that the reference oscillation has been terminated normally. If the RFCnINTE.EREFIE bit = 1, a reference oscillation completion interrupt request occurs at this point.

The time base counter overflow sets the $RFC_nINTF.OVTCIF$ bit to 1 indicating that the reference oscillation has been terminated abnormally. If the $RFC_nINTE.OVTCIE$ bit = 1, a time base counter overflow error interrupt request occurs at this point.

Sensor oscillation

When the $RFC_nTRG.SSENA$ bit (sensor A) or the $RFC_nTRG.SSENB$ bit (sensor B) is set to 1 in Step 7 of the conversion procedure above, the RFC Ch.n starts CR oscillation using the sensor. The measurement counter starts counting up using the CR oscillation clock from 0x000000. The time base counter starts counting down using TCCLK from the value at the end of reference oscillation.

When the time base counter reaches 0x000000 or the measurement counter overflows (0xfffff → 0x000000), the $RFC_nTRG.SSENA$ bit or the $RFC_nTRG.SSENB$ bit that started oscillation is cleared to 0 and the sensor oscillation stops automatically.

The time base counter reaching 0x000000 sets the $RFC_nINTF.ESENAIF$ bit (sensor A) or the $RFC_nINTF.ESENBIF$ bit (sensor B) to 1 indicating that the sensor oscillation has been terminated normally. If the $RFC_nINTE.ESENAIE$ bit = 1 or the $RFC_nINTE.ESENBIE$ bit = 1, a sensor A or sensor B oscillation completion interrupt request occurs at this point.

The measurement counter overflow sets the $RFC_nINTF.OVMCIF$ to 1 indicating that the sensor oscillation has been terminated abnormally. If the $RFC_nINTE.OVMCIE$ bit = 1, a measurement counter overflow error interrupt request occurs at this point.

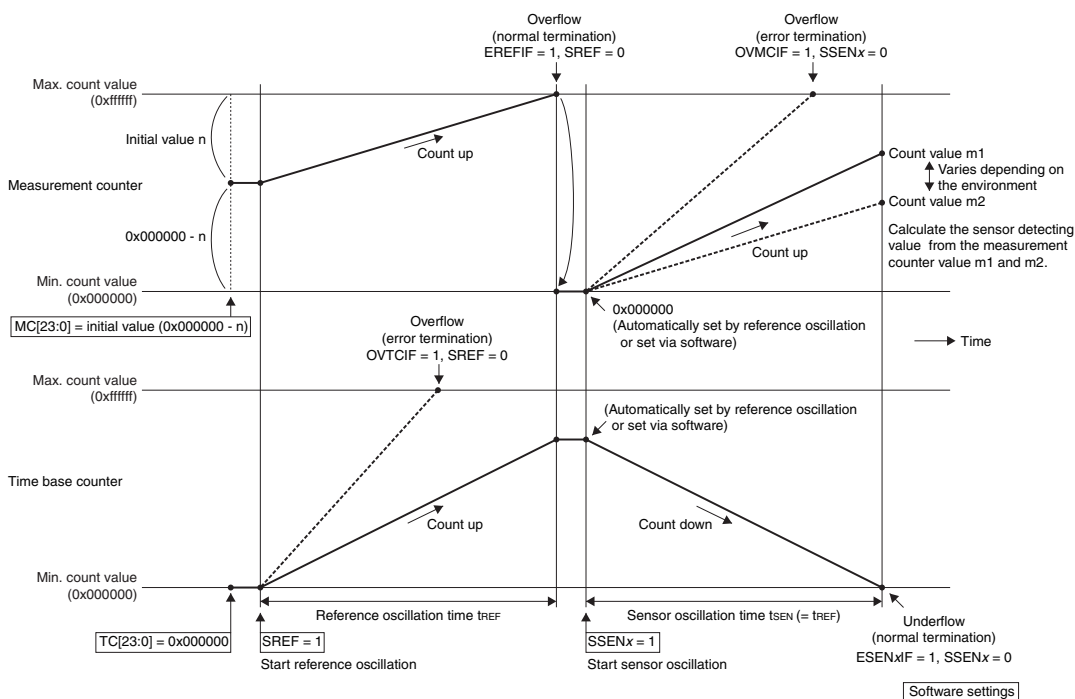


Figure 15.4.4.1 Counter Operations During Reference/Sensor Oscillation

Forced termination

To abort reference oscillation or sensor oscillation, write 0 to the $RFC_nTRG.SREF$ bit (reference oscillation), the $RFC_nTRG.SSENA$ bit (sensor A oscillation), or the $RFC_nTRG.SSENB$ bit (sensor B oscillation) used to start the oscillation. The counters maintain the value at the point they stopped, note, however, that the conversion results cannot be guaranteed if the oscillation is resumed. When resuming oscillation, execute from counter initialization again.

Conversion error

Performing reference oscillation and sensor oscillation with the same resistor and capacitor results $n \approx m$. The difference between n and m is a conversion error. Table 15.4.4.1 lists the error factors. (n : measurement counter initial value, m : measurement counter value at the end of sensor oscillation)

Table 15.4.4.1 Error Factors

Error factor	Influence
External part tolerances	Large
Power supply voltage fluctuations	Large
Parasitic capacitance and resistance of the board	Middle
Temperature	Small
Unevenness of IC quality	Small

15.4.5 CR Oscillation Frequency Monitoring Function

The CR oscillation clock (RFCLK) generated during converting operation can be output from the RFCLK n pin for monitoring. By setting the RFC n CTL.CONEN bit to 1, the RFC Ch. n enters continuous oscillation mode that disables oscillation stop conditions to continue oscillating operations. In this case, set the the RFC n TRG.SREF bit (reference oscillation), the RFC n TRG.SSENA bit (sensor A oscillation), or the RFC n TRG.SSENB bit (sensor B oscillation) to 1 to start oscillation. Set the bit to 0 to stop oscillation. Using this function helps easily measure the CR oscillation clock frequency. Furthermore, setting the RFC n CTL.RFCLKMD bit to 1 changes the output clock to the divided-by-two RFCLK clock.

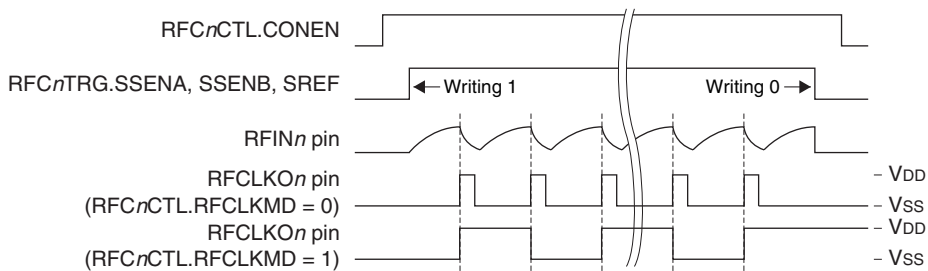


Figure 15.4.5.1 CR Oscillation Clock (RFCLK) Waveform

15.5 Interrupts

The RFC has a function to generate the interrupts shown in Table 15.5.1.

Table 15.5.1 RFC Interrupt Function

Interrupt	Interrupt flag	Set condition	Clear condition
Reference oscillation completion	RFC n INTF.EREFIF	When reference oscillation has been completed normally due to a measurement counter overflow	Writing 1
Sensor A oscillation completion	RFC n INTF.ESENAIF	When sensor A oscillation has been completed normally due to the time base counter reaching 0x000000	Writing 1
Sensor B oscillation completion	RFC n INTF.ESENBIF	When sensor B oscillation has been completed normally due to the time base counter reaching 0x000000	Writing 1
Measurement counter overflow error	RFC n INTF.OVMCIF	When sensor oscillation has been terminated abnormally due to a measurement counter overflow	Writing 1
Time base counter overflow error	RFC n INTF.OVTCIF	When reference oscillation has been terminated abnormally due to a time base counter overflow	Writing 1

The RFC provides interrupt enable bits corresponding to each interrupt flag. An interrupt request is sent to the interrupt controller only when the interrupt flag, of which interrupt has been enabled by the interrupt enable bit, is set. For more information on interrupt control, refer to the “Interrupt Controller” chapter.

15.6 Control Registers

RFC Ch.n Clock Control Register

Register name	Bit	Bit name	Initial	Reset	R/W	Remarks
RFCnCLK	15–9	–	0x00	–	R	–
	8	DBRUN	1	H0	R/W	
	7–6	–	0x0	–	R	
	5–4	CLKDIV[1:0]	0x0	H0	R/W	
	3–2	–	0x0	–	R	
	1–0	CLKSRC[1:0]	0x0	H0	R/W	

Bits 15–9 Reserved

Bit 8 DBRUN

This bit sets whether the RFC operating clock is supplied in DEBUG mode or not.

1 (R/W): Clock supplied in DEBUG mode

0 (R/W): No clock supplied in DEBUG mode

Bits 7–6 Reserved

Bits 5–4 CLKDIV[1:0]

These bits select the division ratio of the RFC operating clock.

Bits 3–2 Reserved

Bits 1–0 CLKSRC[1:0]

These bits select the clock source of the RFC.

Table 15.6.1 Clock Source and Division Ratio Settings

RFCnCLK. CLKDIV[1:0] bits	RFCnCLK.CLKSRC[1:0] bits			
	0x0	0x1	0x2	0x3
	IOSC	OSC1	OSC3	EXOSC
0x3	1/8			1/1
0x2	1/4			
0x1	1/2			
0x0	1/1			

(Note) The oscillation circuits/external input that are not supported in this IC cannot be selected as the clock source.

Note: The RFCnCLK register settings can be altered only when the RFCnCTL.MODEN bit = 0. (TBD)

RFC Ch.n Control Register

Register name	Bit	Bit name	Initial	Reset	R/W	Remarks
RFCnCTL	15–9	–	0x00	–	R	–
	8	RFCLKMD	0	H0	R/W	
	7	CONEN	0	H0	R/W	
	6	EVTEN	0	H0	R/W	
	5–4	SMODE[1:0]	0x0	H0	R/W	
	3–1	–	0x0	–	R	
	0	MODEN	0	H0	R/W	

Bits 15–9 Reserved

Bit 8 RFCLKMD

This bit sets the RFCLKOn pin to output the divided-by-two oscillation clock.

1 (R/W): Divided-by-two clock output

0 (R/W): Oscillation clock output

For more information, refer to “CR Oscillation Frequency Monitoring Function.”

Bit 7 CONEN

This bit disables the automatic CR oscillation stop function to enable continuous oscillation function.

1 (R/W): Enable continuous oscillation

0 (R/W): Disable continuous oscillation

For more information, refer to “CR Oscillation Frequency Monitoring Function.”

Bit 6 EVTEN

This bit enables external clock input mode (event counter mode).

1 (R/W): External clock input mode

0 (R/W): Normal mode

For more information, refer to “Operating Modes.”

Note: Do not input an external clock before the $RFCnCTL.EVTEN$ bit is set to 1. The $RFINn$ pin is pulled down to V_{SS} level when the port function is switched for the R/F converter.

Bits 5–4 SMODE[1:0]

These bits configure the oscillation mode. For more information, refer to “Operating Modes.”

Table 15.6.2 Oscillation Mode Selection

$RFCnCTL.SMODE[1:0]$ bits	Oscillation mode
0x3, 0x2	Reserved
0x1	AC oscillation mode for resistive sensor measurements
0x0	DC oscillation mode for resistive sensor measurements

Bits 3–1 Reserved**Bit 0 MODEN**

This bit enables the RFC operations.

1 (R/W): Enable RFC operations (The operating clock is supplied.)

0 (R/W): Disable RFC operations (The operating clock is stopped.)

Note: If the $RFCnCTL.MODEN$ bit is altered from 1 to 0 during R/F conversion, the counter value being converted cannot be guaranteed. R/F conversion cannot be resumed.

RFC Ch.n Oscillation Trigger Register

Register name	Bit	Bit name	Initial	Reset	R/W	Remarks
$RFCnTRG$	15–8	–	0x00	–	R	–
	7–3	–	0x00	–	R	
	2	SSENB	0	H0	R/W	
	1	SSENA	0	H0	R/W	
	0	SREF	0	H0	R/W	

Bits 15–3 Reserved**Bit 2 SSENB**

This bit controls CR oscillation for sensor B. This bit also indicates the CR oscillation status.

1 (W): Start oscillation

0 (W): Stop oscillation

1 (R): Being oscillated

0 (R): Stopped

Note: Writing 1 to the $RFCnTRG.SSENB$ bit does not start oscillation when the $RFCnCTL.SMODE[1:0]$ bits = 0x1 (AC oscillation mode for resistive sensor measurements).

Bit 1 SSENA

This bit controls CR oscillation for sensor A. This bit also indicates the CR oscillation status.

1 (W): Start oscillation

0 (W): Stop oscillation

1 (R): Being oscillated

0 (R): Stopped

15 R/F CONVERTER (RFC)

Bit 0 SREF

This bit controls CR oscillation for the reference resistor. This bit also indicates the CR oscillation status.

- 1 (W): Start oscillation
- 0 (W): Stop oscillation
- 1 (R): Being oscillated
- 0 (R): Stopped

- Notes:**
- Settings in this register are all ineffective when the RFCnCTL.MODEN bit = 0 (RFC operation disabled).
 - When writing 1 to the RFCnTRG.SREF bit, the RFCnTRG.SSENA bit, or the RFCnTRG.SSENB bit to start oscillation, be sure to avoid having more than one bit set to 1.
 - Be sure to clear the interrupt flags (RFCnINTF.EREFIF bit, RFCnINTF.ESENAIF bit, RFCnINTF.ESENBIF bit, RFCnINTF.OVMCIF bit, and RFCnINTF.OVTCIF bit) before starting oscillation using this register.

RFC Ch.n Measurement Counter Low and High Registers

Register name	Bit	Bit name	Initial	Reset	R/W	Remarks
RFCnMCL	15-0	MC[15:0]	0x0000	H0	R/W	–
RFCnMCH	15-8	–	0x00	–	R	–
	7-0	MC[23:16]	0x00	H0	R/W	

Or

Register name	Bit	Bit name	Initial	Reset	R/W	Remarks
RFCnMCL	31-24	–	0x00	–	R	–
RFCnMCH	23-0	MC[23:0]	0x000000	H0	R/W	–

Bits 31-24 Reserved

Bits 23-0 MC[23:0]

Measurement counter data can be read and written through these bits.

- Note:** The measurement counter must be set from the low-order value (RFCnMCL.MC[15:0] bits) first when data is set using a 16-bit access instruction. The counter may not be set to the correct value if the high-order value (RFCnMCH.MC[23:16] bits) is written first.

RFC Ch.n Time Base Counter Low and High Registers

Register name	Bit	Bit name	Initial	Reset	R/W	Remarks
RFCnTCL	15-0	TC[15:0]	0x0000	H0	R/W	–
RFCnTCH	15-8	–	0x00	–	R	–
	7-0	TC[23:16]	0x00	H0	R/W	

Or

Register name	Bit	Bit name	Initial	Reset	R/W	Remarks
RFCnTCL	31-24	–	0x00	–	R	–
RFCnTCH	23-0	TC[23:0]	0x000000	H0	R/W	–

Bits 31-24 Reserved

Bits 23-0 TC[23:0]

Time base counter data can be read and written through these bits.

- Note:** The time base counter must be set from the low-order value (RFCnTCL.TC[15:0] bits) first when data is set using a 16-bit access instruction. The counter may not be set to the correct value if the high-order value (RFCnTCH.TC[23:16] bits) is written first.

RFC Ch.n Interrupt Flag Register

Register name	Bit	Bit name	Initial	Reset	R/W	Remarks
RFCnINTF	15–8	–	0x00	–	R	–
	7–5	–	0x0	–	R	
	4	OVTCIF	0	H0	R/W	Cleared by writing 1.
	3	OVMCIF	0	H0	R/W	
	2	ESENBIF	0	H0	R/W	
	1	ESENAIF	0	H0	R/W	
	0	EREFIF	0	H0	R/W	

Bits 15–5 Reserved

Bit 4	OVTCIF
Bit 3	OVMCIF
Bit 2	ESENBIF
Bit 1	ESENAIF
Bit 0	EREFIF

These bits indicate the RFC interrupt cause occurrence status.

- 1 (R): Cause of interrupt occurred
- 0 (R): No cause of interrupt occurred
- 1 (W): Clear flag
- 0 (W): Ineffective

The following shows the correspondence between the bit and interrupt:

- RFCnINTF.OVTCIF bit: Time base counter overflow error interrupt
- RFCnINTF.OVMCIF bit: Measurement counter overflow error interrupt
- RFCnINTF.ESENBIF bit: Sensor B oscillation completion interrupt
- RFCnINTF.ESENAIF bit: Sensor A oscillation completion interrupt
- RFCnINTF.EREFIF bit: Reference oscillation completion interrupt

RFC Ch.n Interrupt Enable Register

Register name	Bit	Bit name	Initial	Reset	R/W	Remarks
RFCnINTE	15–8	–	0x00	–	R	–
	7–5	–	0x0	–	R	
	4	OVTCIE	0	H0	R/W	
	3	OVMCIE	0	H0	R/W	
	2	ESENBIE	0	H0	R/W	
	1	ESENAIE	0	H0	R/W	
	0	EREFIE	0	H0	R/W	

Bits 15–5 Reserved

Bit 4	OVTCIE
Bit 3	OVMCIE
Bit 2	ESENBIE
Bit 1	ESENAIE
Bit 0	EREFIE

These bits enable RFC interrupts.

- 1 (R/W): Enable interrupts
- 0 (R/W): Disable interrupts

The following shows the correspondence between the bit and interrupt:

- RFCnINTE.OVTCIE bit: Time base counter overflow error interrupt
- RFCnINTE.OVMCIE bit: Measurement counter overflow error interrupt
- RFCnINTE.ESENBIE bit: Sensor B oscillation completion interrupt
- RFCnINTE.ESENAIE bit: Sensor A oscillation completion interrupt
- RFCnINTE.EREFIE bit: Reference oscillation completion interrupt

16 MR Sensor Controller (AMRC)

16.1 Overview

The AMRC is an MR sensor controller that can be applied to flowmeters. The features of the AMRC are listed below.

- Allows direct connection with an MR sensor.
- Inputs analog rotation phase signals from an MR sensor to detect normal rotations, reverse rotations, stops, and phase dropouts.
- Selectable 16 sensing cycles.
- Includes various counters to count the number of normal rotation, reverse rotation, and stop detections.
 - Three event counters Ch.0–Ch.2 that provide notification of specified numbers of normal or reverse rotation detections (Event counters Ch.0 and Ch.2 can count number of comparator changes.)
 - Unit counter for keeping count of the above notifications from event counter Ch.0
 - Normal rotation counter for keeping count of the number of normal rotation detections
 - Reverse/stop counter for keeping count of the number of reverse or stop detections
- Provides a pulse output function with programmable pulse width.
- Can generate unit counter compare match, event counter underflow, comparator change, phase dropout, stop, reverse rotation, and normal rotation interrupts.

Figure 16.1.1 shows the AMRC configuration.

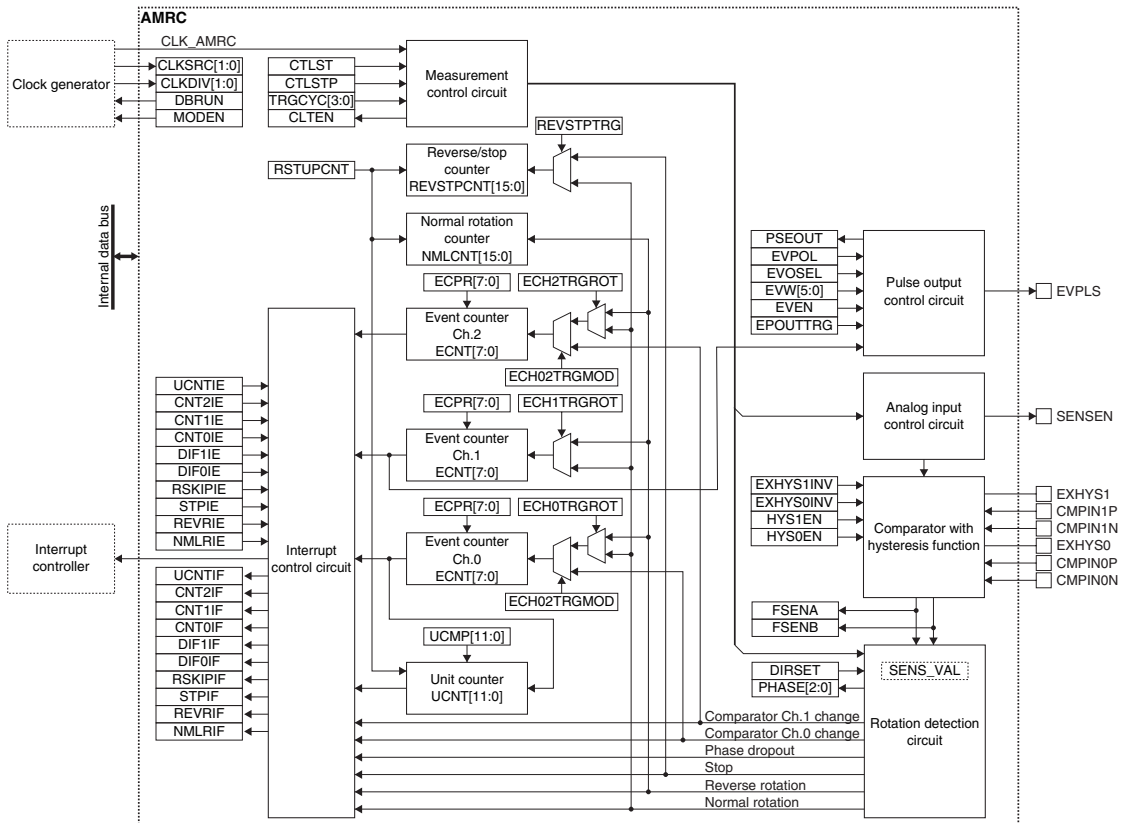


Figure 16.1.1 AMRC Configuration

16.2 Input/Output Pins and External Connections

16.2.1 List of Input/Output Pins

Table 16.2.1.1 lists the AMRC pins.

Table 16.2.1.1 List of AMRC Pins

Pin name	I/O*	Initial status*	Function
CMPIN0P	A	Hi-Z	Comparator Ch.0 input +
CMPIN0N	A	Hi-Z	Comparator Ch.0 input -
CMPIN1P	A	Hi-Z	Comparator Ch.1 input +
CMPIN1N	A	Hi-Z	Comparator Ch.1 input -
SENSEN	O	Hi-Z	MR sensor enable output
EVPLS	O	Hi-Z	Pulse output
EXHYS0	O	Hi-Z	External hysteresis control output Ch.0
EXHYS1	O	Hi-Z	External hysteresis control output Ch.1

* Indicates the status when the pin is configured for the AMRC.

If the port is shared with the AMRC pin and other functions, the AMRC input/output function must be assigned to the port before activating the AMRC. For more information, refer to the “I/O Ports” chapter.

16.2.2 External Connections

Figures 16.2.2.1 and 16.2.2.2 show examples of connections between the AMRC and an MR sensor.

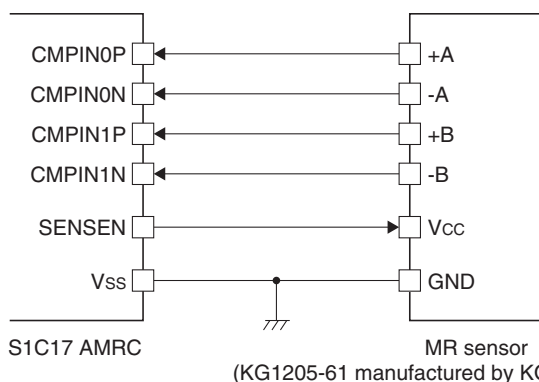


Figure 16.2.2.1 Connections with the MR Sensor Manufactured by KOHDEN CO.,LTD.

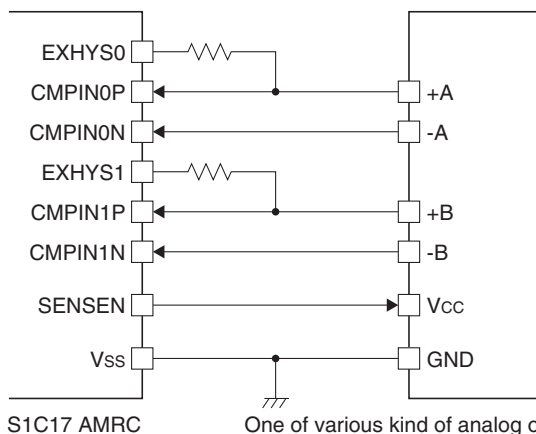


Figure 16.2.2.2 Connections with an MR Sensor when External Hysteresis Resistors are Used

16.3 Clock Settings

16.3.1 AMRC Operating Clock

When using the AMRC, the AMRC operating clock CLK_AMRC must be supplied to the AMRC from the clock generator. The AMRC uses the OSC1 oscillation clock as its operating clock (CLK_AMRC = OSC1 clock), therefore, the OSC1 oscillator circuit must be enabled in the clock generator (refer to “Clock Generator” in the “Power Supply, Reset, and Clocks” chapter).

16.3.2 Clock Supply in SLEEP Mode

When using the AMRC during SLEEP mode, the AMRC operating clock CLK_AMRC must be configured so that it will keep supplying by writing 0 to the CLGOSC.OSC1SLPC bit.

16.3.3 Clock Supply in DEBUG Mode

The CLK_AMRC supply during DEBUG mode should be controlled using the AMRCCLK.DBRUN bit. The CLK_AMRC supply to the AMRC is suspended when the CPU enters DEBUG mode if the AMRCCLK.DBRUN bit = 0. After the CPU returns to normal mode, the CLK_AMRC supply resumes. Although the AMRC stops operating when the CLK_AMRC supply is suspended, the output pin and registers retain the status before DEBUG mode was entered. If the AMRCCLK.DBRUN bit = 1, the CLK_AMRC supply is not suspended and the AMRC will keep operating in DEBUG mode.

16.4 Operations

16.4.1 Initialization

The AMRC should be initialized with the procedure shown below.

1. Assign the AMRC input/output function to the ports. (Refer to the “I/O Ports” chapter.)
2. Configure the following AMRCCTL register bits:
 - AMRCCTL.DIRSET bit (Set normal direction of rotation)
 - AMRCCTL.ECHxTRGROT bit (Select rotation detection event (normal/reverse rotation) for event counter Ch.x)
 - AMRCCTL.ECH02TRGMOD bit (Select event counter Ch.0/2 trigger (comparator change/rotation detection))
 - AMRCCTL.TRGCYC[3:0] bits (Set measurement trigger cycles)
 - AMRCCTL.REVSTPTRG bit (Select reverse/stop counter trigger source)
 - Set the AMRCCTL.RSTUPCNT bit to 1. (Reset reverse/stop, normal rotation, and unit counters)
3. Set the event counter Ch.x preset value to the AMRCECNTx.ECPR[7:0] bits.
4. Configure the following AMRCEVPLS register bits to output pulses:
 - AMRCEVPLS.EVPOL bit (Select pulse polarity)
 - AMRCEVPLS.EVOSEL bit (Select pulse output trigger source)
 - Set the AMRCEVPLS.EVEN bit to 1. (Enable pulse output function)
 - AMRCEVPLS.EVW[5:0] bits (Set the pulse width)
5. Configure the following AMRCACTL register bits to control hysteresis function:
 - AMRCACTL.EXHYSxINV bits (Invert external hysteresis voltage)
 - AMRCACTL.HYSxEN bits (Enable/disable internal hysteresis)
6. Set the comparison value to the AMRCUCMP.UCMP[11:0] bits if unit counter compare match interrupts are used.
7. Set the following bits when using the interrupt:
 - Write 1 to the interrupt flags in the AMRCINTF register. (Clear interrupt flags)
 - Set the interrupt enable bits in the AMRCINTE register to 1. (Enable interrupts)
8. Write 1 to the AMRCCTL.MODEN bit. (Enable AMRC operation)

16.4.2 Measurement Control and Operations

A measurement start/stop procedure and the operations are shown below.

Measurement control procedure

1. Write 1 to the AMRCCTL.CTLST bit to start measurement.
2. Wait for AMRC interrupts (unit counter compare match, event counter underflow, comparator change, phase dropout, stop, reverse rotation, and normal rotation) and perform processing according to the interrupt that occurred.
3. Write 1 to the AMRCCTL.CTLSTP bit to stop measurement.

AMRC operations

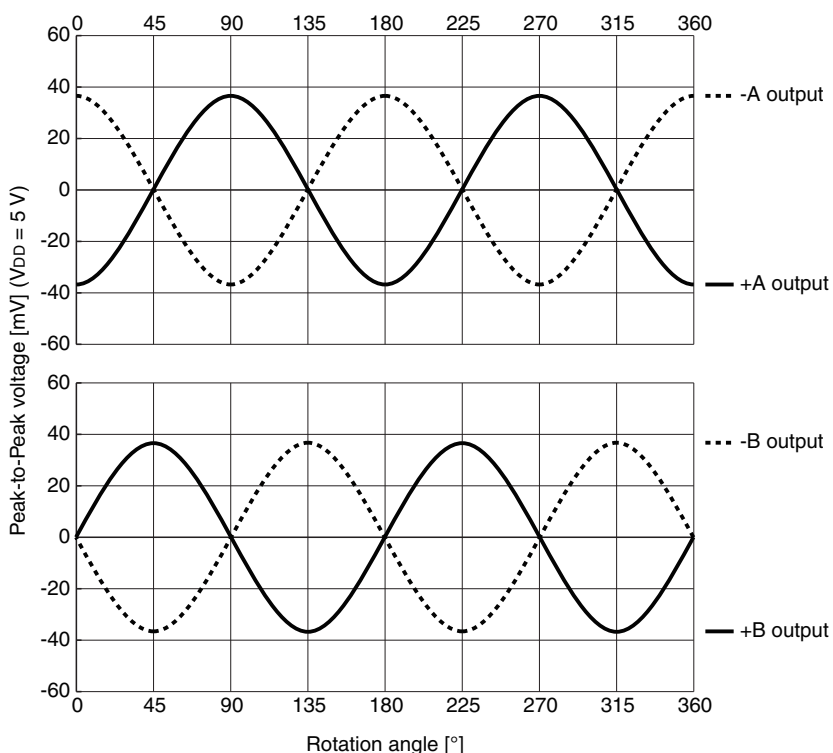
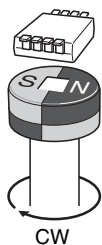
The AMRC starts operating when 1 is written to the AMRCCTL.CTLST bit. The AMRCCTL.CTLST bit is automatically cleared to 0 when measurement operations start.

The AMRC asserts the SENSEN output (activates the MR sensor) and turns power to the analog measurement block on to input the MR sensor output signals from the CMPINxP and CMPINxN pins in the trigger cycles set using the AMRCCTL.TRGCYC[3:0] bits. The AMRC detects normal rotation, reverse rotation, stop, or phase dropout status from these input signals as shown below.

Detecting normal rotation, reverse rotation, stop, and phase dropout statuses

Rotating the magnet, which is opposed to the MR sensor, varies the sensor outputs as shown in Figure 16.4.2.1.

MR sensor
(KG1205-61 manufactured
by KOHDEN CO., LTD.)



+A	-	+	+	-	-	+	+	-	
-A	+	-	-	+	+	-	-	+	
+B	+	+	-	-	+	+	-	-	
-B	-	-	+	+	-	-	+	+	
(+A) - (-A)	0	1	1	0	0	1	1	0	} (+) - (-) = 1 (-) - (+) = 0
(+B) - (-B)	1	1	0	0	1	1	0	0	

Figure 16.4.2.1 MR Sensor Output Waveforms

The AMRC compares the sensor outputs between (+A) and (-A) and between (+B) and (-B) using the internal comparators to detect a rotation angle in 45° units as shown in Table 16.4.2.1.

Table 16.4.2.1 Comparator Outputs and Rotation Angle

Comparator output	Rotation angle							
	0–45°	45–90°	90–135°	135–180°	180–225°	225–270°	270–315°	315–360°
FSENA = (+A) - (-A)	0	1	1	0	0	1	1	0
FSENB = (+B) - (-B)	1	1	0	0	1	1	0	0
SENS_VAL	2	3	1	0	2	3	1	0
PHASE	0	1	2	3	4	5	6	7

FSENA and FSENB are the comparator outputs and they are merged into SENS_VAL. SENS_VAL changes in 45° units.

The rotation status is detected from change of SENS_VAL as below.

Normal rotation: When SENS_VAL changes 2 → 3, 3 → 1, 1 → 0, or 0 → 2

Reverse rotation: When SENS_VAL changes 0 → 1, 1 → 3, 3 → 2, or 2 → 0

Stop: When SENS_VAL does not change; 2 → 2, 3 → 3, 1 → 1, or 0 → 0

(This status also occurs when the detection interval is sufficiently short and detection operations respond to the interval.)

Phase dropout: When SENS_VAL changes to a status other than above

The normal direction of rotation and the reverse direction can be interchanged using the AMRCCTL.DIRSET bit.

The AMRCSTAT.CTLEN bit is set to 1 while the sensor signals are being input and AMRC is performing measurement. The detected phase number is set to the AMRCSTAT.PHASE[2:0] bits. When the AMRC detects normal rotation, reverse rotation, stop, or phase dropout from the input signals, it sets the AMRCINTF.NMLRIF, AMRCINTF.REVRIF, AMRCINTF.STPIF, or AMRCINTF.RSKIPIF bit to 1, respectively.

The AMRC can automatically generate measurement triggers. Figure 16.4.2.2 shows an example of a measurement trigger cycle, PHASE change, and the AMRCINTF.NMLRIF bit set timings. The measurement trigger cycle can be changed dynamically. This switching takes a maximum of “Trigger cycle time before switching/2 + Trigger cycle time after switching/2.”

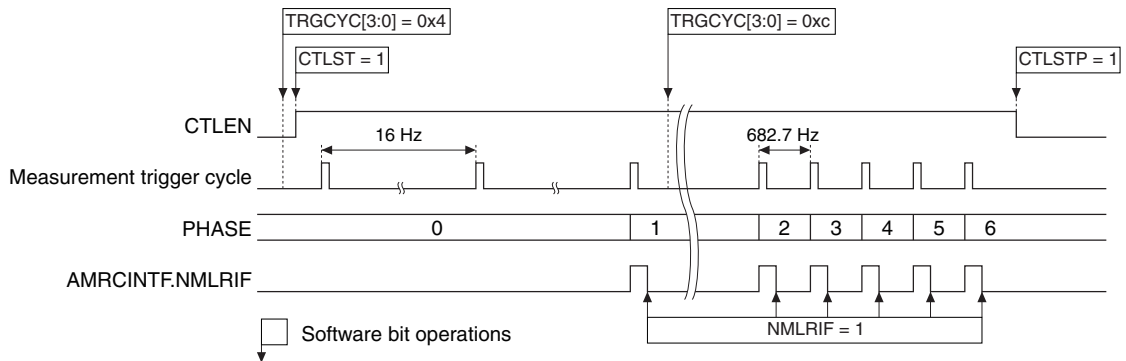


Figure 16.4.2.2 Example of Measurement Operation Timings

Furthermore, the counters shown below count up/down according to the detection results.

Event counters Ch.0 to Ch.2

Three event counters are eight-bit presetable down counters and the initial count value and the event to trigger counting down (see Table 16.4.2.2) can be configured individually. The event counter Ch.*x* performs counting down from the initial value set to the AMRCECNT_x.ECPR[7:0] bits every time the event occurs. When an underflow occurs in the counter, the AMRC presets the initial value to the counter again and sets the AMRCINTF.CNT_xIF bit to 1. At the same time, an event counter Ch.*x* underflow interrupt request occurs if the AMRCINTE.CNT_xIE bit = 1.

Table 16.4.2.2 Event Selection

AMRCCTL. ECH02TRGMOD bit	AMRCCTL. ECHxTRGROT bit	Event (count down trigger source)		
		Ch.0	Ch.1	Ch.2
1	1	Comparator Ch.0 change	Reverse rotation detection	Comparator Ch.1 change
1	0		Normal rotation detection	
0	1	Reverse rotation detection		
0	0	Normal rotation detection		

Unit counter

The unit counter is a 12-bit up counter that counts the number of underflow occurrences in the event counter Ch.0. It is cleared to 0x000 by writing 1 to the AMRCCTL.RSTUPCNT bit.

A comparison value can be set to the AMRCUCMP.UCMP[11:0] bits. When the unit counter reaches the comparison value, the AMRC clears the counter to 0x000 and sets the AMRCINTF.UCNTIF bit to 1. At the same time, a unit counter compare match interrupt request occurs if the AMRCINTE.UCNTIE bit = 1.

Normal rotation counter

The normal rotation counter is a 16-bit up counter that counts the number of normal rotation detections. It is cleared to 0x0000 by writing 1 to the AMRCCTL.RSTUPCNT bit.

Reverse/stop counter

The reverse/stop counter is a 16-bit up counter that counts the number of reverse rotation detections or stop detections (selected using the AMRCCTL.REVSTPTRG bit). It is cleared to 0x0000 by writing 1 to the AMRCCTL.RSTUPCNT bit.

Figure 16.4.2.3 shows a counter operation example.

Conditions) Event counter Ch.0: preset value = 3, event = normal rotation detection
 Event counter Ch.2: preset value = 10, event = reverse rotation detection
 Unit counter: comparison value = 1

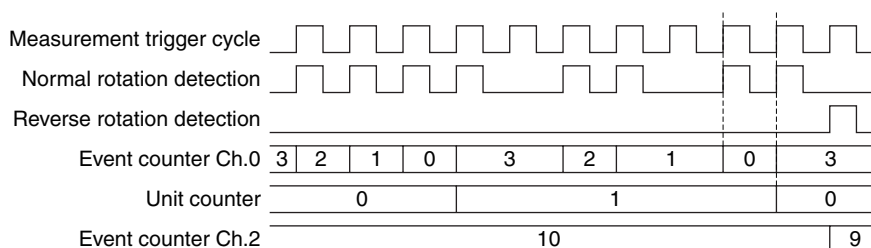


Figure 16.4.2.3 Counter Operation Example

16.4.3 Pulse Output Function

The AMRC can output pulses from the EVPLS pin by software control or when an event counter Ch.1 underflow occurs. To use this function, set the AMRCEVPLS.EVEN bit to 1.

The output pulse is set to positive polarity or negative polarity by setting the AMRCEVPLS.EVPOL bit to 0 or 1, respectively. The pulse width can also be set using the AMRCEVPLS.EVW[5:0] bits as follows:

$$t_{EVW} = \frac{(EVW + 1) \times 512}{f_{OSC1}} \quad EVW = \frac{t_{EVW} \times f_{OSC1}}{512} - 1 \quad (\text{Eq. 16.1})$$

Where

t_{EVW} : Pulse width [s]

f_{OSC1} : OSC1 oscillation frequency [Hz]

EVW: AMRCEVPLS.EVW[5:0] bits setting value (0 to 63)

For example, when $f_{OSC1} = 32,768$ Hz, the pulse width can be set within the range from 15.6 ms (AMRCEVPLS.EVW[5:0] bits = 0) to 1,000 ms (AMRCEVPLS.EVW[5:0] bits = 63).

The pulse output trigger source is selected by the AMRCEVPLS.EVOSEL bit. When the AMRCEVPLS.EVOSEL bit = 0, a software trigger can only be used. When the AMRCEVPLS.EVOSEL bit = 1, an event counter Ch.1 underflow is used as a trigger in addition to a software trigger. To issue a software trigger, write 1 to the AMRCCTL.EPOUTTRG bit.

The software trigger and event counter Ch.1 underflow generated while the pulse is being output are all ignored.

To abort the pulse output while the pulse is being output, write 1 to the AMRCCTL.CTLSTP bit.

The EVPLS pin status can be checked by reading the AMRCSTAT.PSEOUT bit. When the AMRCSTAT.PSEOUT bit = 0, the EVPLS pin outputs a low level; when the AMRCSTAT.PSEOUT bit = 1, the EVPLS pin outputs a high level.

16.4.4 Hysteresis Control Function

The internal comparators have a hysteresis function that take effect by setting the AMRCACTL.HYS0EN bit (for CMPIN0P input) or the AMRCACTL.HYS1EN bit (for CMPIN1P input) to 1.

Also a resistor can be connected to the EXHYS0 pin (CMPIN0P input) or the EXHYS1 pin (CMPIN1P input) (see Figure 16.2.2.2) to control the hysteresis according to the comparator input signal. The hysteresis polarity can be inverted using the AMRCACTL.EXHYS0INV/EXHYS1INV bit.

16.5 Interrupts

The AMRC has a function to generate the interrupts shown in Table 16.5.1.

Table 16.5.1 AMRC Interrupt Function

Interrupt	Interrupt flag	Set condition	Clear condition
Unit counter compare match	AMRCINTF.UCNTIF	When the unit counter reaches the value set in the AMRCUCMP.UCMP[11:0] bits	Writing 1
Event counter Ch.2 underflow	AMRCINTF.CNT2IF	When an underflow has occurred in the event counter Ch.2	Writing 1
Event counter Ch.1 underflow	AMRCINTF.CNT1IF	When an underflow has occurred in the event counter Ch.1	Writing 1
Event counter Ch.0 underflow	AMRCINTF.CNT0IF	When an underflow has occurred in the event counter Ch.0	Writing 1
Comparator Ch.1 change	AMRCINTF.DIF1IF	When the comparator Ch.1 output changes	Writing 1
Comparator Ch.0 change	AMRCINTF.DIF0IF	When the comparator Ch.0 output changes	Writing 1
Phase dropout	AMRCINTF.RSKIPIF	When a phase dropout is detected	Writing 1
Stop	AMRCINTF.STPIF	When stop status is detected	Writing 1
Reverse rotation	AMRCINTF.REVRIF	When reverse rotation is detected	Writing 1
Normal rotation	AMRCINTF.NMLRIF	When normal rotation is detected	Writing 1

The AMRC provides interrupt enable bits corresponding to each interrupt flag. An interrupt request is sent to the interrupt controller only when the interrupt flag, of which interrupt has been enabled by the interrupt enable bit, is set. For more information on interrupt control, refer to the “Interrupt Controller” chapter.

16.6 Control Registers

Note: When writing to the control registers, do not alter the “(reserved)” bits from the “Initial” value.

AMRC Clock Control Register

Register name	Bit	Bit name	Initial	Reset	R/W	Remarks
AMRCCLK	15–9	–	0x00	–	R	–
	8	DBRUN	1	H0	R/W	
	7–6	–	0x0	–	R	
	5–4	CLKDIV[1:0]	0x0	H0	R	
	3–2	–	0x0	–	R	
	1–0	CLKSRC[1:0]	0x1	H0	R	

Bits 15–9 Reserved

Bit 8 DBRUN

This bit sets whether the AMRC operating clock is supplied in DEBUG mode or not.

1 (R/W): Clock supplied in DEBUG mode

0 (R/W): No clock supplied in DEBUG mode

Bits 7–6 Reserved

Bits 5–4 CLKDIV[1:0]

These bits indicate the division ratio of the AMRC operating clock. It is fixed at 0x0 (divided by 1).

Bits 3–2 Reserved

Bits 1–0 CLKSRC[1:0]

These bits indicate the clock source of the AMRC. It is fixed at 0x1 (OSC1).

AMRC AFE Control Register

Register name	Bit	Bit name	Initial	Reset	R/W	Remarks
AMRCACTL	15	(reserved)	0	H0	R/W	–
	14–8	–	0x00	–	R	
	7–6	(reserved)	0x0	H0	R/W	
	5–4	–	0x0	–	R	
	3	EXHYS1INV	0	H0	R/W	
	2	EXHYS0INV	0	H0	R/W	
	1	HYS1EN	1	H0	R/W	
	0	HYS0EN	1	H0	R/W	

Bits 15–4 Reserved

Bit 3 EXHYS1INV

Bit 2 EXHYS0INV

These bits invert the external hysteresis polarity.

1 (R/W): External hysteresis polarity is inverted.

0 (R/W): External hysteresis polarity is not inverted.

The following shows the correspondence between the bit and external hysteresis:

AMRCACTL.EXHYS1INV bit: External hysteresis 1 (CMPIN1P pin)

AMRCACTL.EXHYS0INV bit: External hysteresis 0 (CMPIN0P pin)

Bit 1 HYS1EN

Bit 0 HYS0EN

These bits enable the internal hysteresis.

1 (R/W): Enable internal hysteresis

0 (R/W): Disable internal hysteresis

The following shows the correspondence between the bit and internal hysteresis:

AMRCTL.HYS1EN bit: Internal hysteresis 1 (CMPIN1P pin)

AMRCTL.HYS0EN bit: Internal hysteresis 0 (CMPIN0P pin)

AMRC Pulse Control Register

Register name	Bit	Bit name	Initial	Reset	R/W	Remarks
AMRCEVPLS	15	EVPOL	0	H0	R/W	-
	14	EVOSEL	0	H0	R/W	
	13–9	–	0x00	–	R	
	8	EVEN	0	H0	R/W	
	7–6	–	0x0	–	R	
	5–0	EVW[5:0]	0x00	H0	R/W	

Bit 15 EVPOL

This bit sets the pulse output polarity.

1 (R/W): Negative polarity

0 (R/W): Positive polarity

Bit 14 EVOSEL

This bit selects the trigger source to output a pulse.

1 (R/W): Software trigger (AMRCTL.EPOUTTRG bit) and event counter Ch.1 underflow

0 (R/W): Software trigger (AMRCTL.EPOUTTRG bit)

The triggers issued while a pulse is being output are ignored.

Bits 13–9 Reserved

Bit 8 EVEN

This bit enables the pulse output function.

1 (R/W): Enable pulse output function

0 (R/W): Disable pulse output function

Bits 7–6 Reserved

Bits 5–0 EVW[5:0]

These bits set the pulse width.

For more information, refer to “Pulse Output Function.”

AMRC Control Register

Register name	Bit	Bit name	Initial	Reset	R/W	Remarks
AMRCTL	15	DIRSET	0	H0	R/W	-
	14	ECH2TRGROT	0	H0	R/W	
	13	ECH1TRGROT	0	H0	R/W	
	12	ECH0TRGROT	0	H0	R/W	
	11	ECH02TRGMOD	0	H0	R/W	
	10	MODEN	0	H0	R/W	
	9	CTLSTP	0	H0	R/W	
	8	CTLST	0	H0	R/W	
	7	–	0	–	R	
	6	RSTUPCNT	0	H0	R/W	
	5	REVSTPTRG	0	H0	R/W	
	4	EPOUTTRG	0	H0	R/W	
	3–0	TRGCYC[3:0]	0xa	H0	R/W	

Bit 15 DIRSET

This bit specifies the normal direction of rotation.

1 (R/W): Normal rotation = counterclockwise

0 (R/W): Normal rotation = clockwise

Bit 14 ECH2TRGROT**Bit 13 ECH1TRGROT****Bit 12 ECH0TRGROT**

These bits select the direction of rotation as the count-down trigger source for the event counters Ch.2, Ch.1, and Ch.0. In the event counters Ch.2 and Ch.0, these bits take effect when the AMRCCTL.ECH02TRGMOD bit = 0.

1 (R/W): Reverse rotation detection

0 (R/W): Normal rotation detection

Bit 11 ECH02TRGMOD

This bit selects the count-down trigger source for the event counters Ch.2 and Ch.0.

1 (R/W): Comparator Ch.1 change (event counter Ch.2)

Comparator Ch.0 change (event counter Ch.0)

0 (R/W): Rotation detection specified by the AMRCCTL.ECH2TRGROT bit (event counter Ch.2)

Rotation detection specified by the AMRCCTL.ECH0TRGROT bit (event counter Ch.0)

Bit 10 MODEN

This bit enables the AMRC operations.

1 (R/W): Enable AMRC operations (The operating clock is supplied.)

0 (R/W): Disable AMRC operations (The operating clock is stopped.)

Note: If the AMRCCTL.MODEN bit is set to 0 during measurement or when the pulse is being output, the AMRC operating clock is stopped forcibly and subsequent operations cannot be guaranteed. To stop measurement or pulse output, write 1 to the AMRCCTL.CTLSTP bit to stop operations and set the AMRCEVPLS.EVEN bit to 0 before setting the AMRCCTL.MODEN bit to 0.

Bit 9 CTLSTP

This bit terminates measurement.

1 (W): Terminate measurement

0 (W): Ineffective

1 (R): Terminating

0 (R): Stopped

Writing 1 to this bit also terminates output of a pulse.

Bit 8 CTLST

This bit starts measurement.

1 (W): Start measurement

0 (W): Ineffective

1 (R): Starting

0 (R): During measurement/stopped

Bit 7 Reserved**Bit 6 RSTUPCNT**

This bit resets the reverse/stop, normal rotation, and unit counters.

1 (W): Reset

0 (W): Ineffective

1 (R): Resetting

0 (R): Reset finished/in normal operations

Bit 5 REVSTPTRG

This bit selects the count source for the reverse/stop counter.

1 (R/W): Reverse rotation detected

0 (R/W): Stop detected

Bit 4 EPOUTTRG

This bit issues a software trigger to output a pulse.

1 (W): Output trigger

0 (W): Ineffective

1 (R): Output initiating

0 (R): Output initiating operations finished

Bits 3–0 TRGCYC[3:0]

These bits set the measurement trigger cycle.

Table 16.6.1 Measurement Trigger Cycle Settings

Setting value	Trigger cycle [Hz]	Setting value	Trigger cycle [Hz]
0xf	1,365.3	0x7	128
0xe	682.7	0x6	64
0xd	341.3	0x5	32
0xc	4,096	0x4	16 (low-rev trigger)
0xb	2,048	0x3	8
0xa	1,024 (high-rev trigger)	0x2	4
0x9	512	0x1	2
0x8	256	0x0	1

The order of 16 Hz (low-rev trigger) should be selected while the magnet is at stop status to reduce power consumption, and switch it to the order of 1,024 Hz (high-rev trigger) after the magnet starts rotation.

AMRC Normal Rotation Counter Register

Register name	Bit	Bit name	Initial	Reset	R/W	Remarks
AMRCNMLCNT	15–0	NMLCNT[15:0]	0x0000	–	R	Cleared by writing 1 to the AMRCCTL.RSTUPCNT bit.

Bits 15–0 NMLCNT[15:0]

The normal rotation counter value can be read out from these bits.

The correct value may not be read during counting. The AMRCNMLCNT register must be read twice and assume the counter value was read successfully if the two read results are the same. For more information on the normal rotation counter, refer to the “Measurement Control and Operations” section.

AMRC Reverse/Stop Counter Register

Register name	Bit	Bit name	Initial	Reset	R/W	Remarks
AMRCREVSTPCNT	15–0	REVSTPCNT[15:0]	0x0000	–	R	Cleared by writing 1 to the AMRCCTL.RSTUPCNT bit.

Bits 15–0 REVSTPCNT[15:0]

The reverse/stop counter value can be read out from these bits.

The correct value may not be read during counting. The AMRCREVSTPCNT register must be read twice and assume the counter value was read successfully if the two read results are the same. For more information on the reverse/stop counter, refer to the “Measurement Control and Operations” section.

AMRC Event Counter Ch.x Register

Register name	Bit	Bit name	Initial	Reset	R/W	Remarks
AMRCECNT _x	15–8	ECNT[7:0]	0xff	H0	R	–
	7–0	ECPR[7:0]	0xff	H0	R/W	

Bits 15–8 ECNT[7:0]

The event counter Ch._x ($x = 0$ to 2) value can be read out from these bits.

The correct value may not be read during counting. The AMRCECNT_x.ECNT[7:0] bits must be read twice and assume the counter value was read successfully if the two read results are the same. For more information on the event counter, refer to “Measurement Control and Operations.”

16 MR SENSOR CONTROLLER (AMRC)

Bits 7–0 ECPR[7:0]

These bits set the counter initial value to be preset to the event counter Ch.x. The initial value is preset to the event counter Ch.x when data is written here or when an underflow occurs in the event counter Ch.x.

AMRC Unit Counter Compare Setting Register

Register name	Bit	Bit name	Initial	Reset	R/W	Remarks
AMRCUCMP	15–12	–	0x0	–	R	–
	11–0	UCMP[11:0]	0x000	H0	R/W	

Bits 15–12 Reserved

Bits 11–0 UCMP[11:0]

Set the value to be compared with the unit counter to these bits.

Writing data here clears the unit counter to 0x000.

When the unit counter reaches the value set, a unit counter compare match interrupt request occurs.

AMRC Unit Counter Register

Register name	Bit	Bit name	Initial	Reset	R/W	Remarks
AMRCUCNT	15–12	–	0x0	–	R	–
	11–0	UCNT[11:0]	0x000	H0	R	Cleared by writing 1 to the AMRCCTL.RSTUPCNT bit or writing data to the AMRCUCMP.UCMP[11:0] bits.

Bits 15–12 Reserved

Bits 11–0 UCNT[11:0]

The unit counter value can be read out from these bits.

The correct value may not be read during counting. The AMRCUCNT.UCNT[11:0] bits must be read twice and assume the counter value was read successfully if the two read results are the same. For more information on the unit counter, refer to the “Measurement Control and Operations” section.

AMRC Status Register

Register name	Bit	Bit name	Initial	Reset	R/W	Remarks
AMRCSTAT	15–12	–	0x0	–	R	–
	11	FSENB	0	H0	R	
	10	FSENA	0	H0	R	
	9–8	(reserved)	0x0	H0	R	
	7–6	(reserved)	0x0	H0	R	
	5	PSEOUT	0	H0	R	
	4	CTLEN	0	H0	R	
	3	–	0	–	R	
2–0	PHASE[2:0]	0x0	H0	R		

Bits 15–12 Reserved

Bit 11 FSENB

This bit indicates the comparator Ch.1 output status.

1 (R): 1 output

0 (R): 0 output

Bit 10 FSENA

This bit indicates the comparator Ch.0 output status.

1 (R): 1 output

0 (R): 0 output

Bits 9–6 Reserved

Bit 5 PSEOUT

This bit indicates the pulse output (EVPLS pin) status.

1 (R): High level output

0 (R): Low level output

Bit 4 CTLEN

This bit indicates the measurement status.

1 (R): Measuring

0 (R): Idle

Bit 3 Reserved**Bits 2–0 PHASE[2:0]**

These bits indicate the current phase number.

The correct value may not be read during measurement. The AMRCSTAT.PHASE[2:0] bits must be read twice and assume the counter value was read successfully if the two read results are the same.

AMRC Interrupt Flag Register

Register name	Bit	Bit name	Initial	Reset	R/W	Remarks
AMRCINTF	15–13	–	0x0	–	R	–
	12	UCNTIF	0	H0	R/W	Cleared by writing 1.
	11	(reserved)	0	H0	R	–
	10	CNT2IF	0	H0	R/W	Cleared by writing 1.
	9	CNT1IF	0	H0	R/W	
	8	CNT0IF	0	H0	R/W	
	7	DIF1IF	0	H0	R/W	
	6	(reserved)	0	H0	R	
	5	DIF0IF	0	H0	R/W	Cleared by writing 1.
	4	(reserved)	0	H0	R	–
	3	RSKIPIF	0	H0	R/W	Cleared by writing 1.
	2	STPIF	0	H0	R/W	
	1	REVRIF	0	H0	R/W	
0	NMLRIF	0	H0	R/W		

Bits 15–13 Reserved

Bit 11 Reserved

Bit 6 Reserved

Bit 4 Reserved

Bit 12 UCNTIF

Bit 10 CNT2IF

Bit 9 CNT1IF

Bit 8 CNT0IF

Bit 7 DIF1IF

Bit 5 DIF0IF

Bit 3 RSKIPIF

Bit 2 STPIF

Bit 1 REVRIF

Bit 0 NMLRIF

These bits indicate the AMRC interrupt cause occurrence status.

1 (R): Cause of interrupt occurred

0 (R): No cause of interrupt occurred

1 (W): Clear flag

0 (W): Ineffective

The following shows the correspondence between the bit and interrupt:

AMRCINTF.UCNTIF bit: Unit counter compare match interrupt

AMRCINTF.CNT2IF bit: Event counter Ch.2 underflow interrupt

16 MR SENSOR CONTROLLER (AMRC)

AMRCINTF.CNT1IF bit: Event counter Ch.1 underflow interrupt
 AMRCINTF.CNT0IF bit: Event counter Ch.0 underflow interrupt
 AMRCINTF.DIF1IF bit: Comparator Ch.1 change interrupt
 AMRCINTF.DIF0IF bit: Comparator Ch.0 change interrupt
 AMRCINTF.RSKIPIF bit: Phase dropout interrupt
 AMRCINTF.STPIF bit: Stop interrupt
 AMRCINTF.REVRIF bit: Reverse rotation interrupt
 AMRCINTF.NMLRIF bit: Normal rotation interrupt

AMRC Interrupt Enable Register

Register name	Bit	Bit name	Initial	Reset	R/W	Remarks
AMRCINTE	15–13	–	0x0	–	R	–
	12	UCNTIE	0	H0	R/W	
	11	(reserved)	0	H0	R/W	Always set to 0.
	10	CNT2IE	0	H0	R/W	
	9	CNT1IE	0	H0	R/W	
	8	CNT0IE	0	H0	R/W	
	7	DIF1IE	0	H0	R/W	
	6	(reserved)	0	H0	R/W	Always set to 0.
	5	DIF0IE	0	H0	R/W	
	4	(reserved)	0	H0	R/W	Always set to 0.
	3	RSKIPIE	0	H0	R/W	
	2	STPIE	0	H0	R/W	
	1	REVRIE	0	H0	R/W	
0	NMLRIE	0	H0	R/W		

Bits 15–13 Reserved

Bit 11 Reserved (Always set to 0.)

Bit 6 Reserved (Always set to 0.)

Bit 4 Reserved (Always set to 0.)

Bit 12 UCNTIE

Bit 10 CNT2IE

Bit 9 CNT1IE

Bit 8 CNT0IE

Bit 7 DIF1IE

Bit 5 DIF0IE

Bit 3 RSKIPIE

Bit 2 STPIE

Bit 1 REVRIE

Bit 0 NMLRIE

These bits enable AMRC interrupts.

1 (R/W): Enable interrupts

0 (R/W): Disable interrupts

The following shows the correspondence between the bit and interrupt:

AMRCINTE.UCNTIE bit: Unit counter compare match interrupt

AMRCINTE.CNT2IE bit: Event counter Ch.2 underflow interrupt

AMRCINTE.CNT1IE bit: Event counter Ch.1 underflow interrupt

AMRCINTE.CNT0IE bit: Event counter Ch.0 underflow interrupt

AMRCINTE.DIF1IE bit: Comparator Ch.1 change interrupt

AMRCINTE.DIF0IE bit: Comparator Ch.0 change interrupt

AMRCINTE.RSKIPIE bit: Phase dropout interrupt

AMRCINTE.STPIE bit: Stop interrupt

AMRCINTE.REVRIE bit: Reverse rotation interrupt

AMRCINTE.NMLRIE bit: Normal rotation interrupt

17 Electrical Characteristics

17.1 Absolute Maximum Ratings

(V_{SS} = 0 V)

Item	Symbol	Condition	Rated value	Unit	
Power supply voltage	V _{DD}		-0.3 to 7.0	V	
Flash programming voltage	V _{PP}		-0.3 to 8.0	V	
LCD power supply voltage	V _{C1}		-0.3 to 7.0	V	
	V _{C2}		-0.3 to 7.0	V	
	V _{C3}		-0.3 to 7.0	V	
Input voltage	V _I	P03-07, P14-17, P20, #RESET	-0.3 to V _{DD} + 0.5	V	
		P00-02, P10-13, P21-27, P30-37, P40-47, P50-57, PD0-D1	-0.3 to 7.0	V	
Output voltage	V _O	P00-07, P10-17, P20-21, P32, P34-35, P56-57, PD0-D2	-0.3 to V _{DD} + 0.5	V	
High level output current	I _{OH}	1 pin	P00-07, P10-17, P20-21, P32, P34-35, P56-57, PD0-D2	-10	mA
		Total of all pins		-20	mA
Low level output current	I _{OL}	1 pin	P00-07, P10-17, P20-21, P32, P34-35, P56-57, PD0-D2	10	mA
		Total of all pins		20	mA
Operating temperature	T _a		-40 to 85	°C	
Storage temperature	T _{stg}		-65 to 125	°C	

17.2 Recommended Operating Conditions

Item	Symbol	Condition	Min.	Typ.	Max.	Unit
Power supply voltage	V _{DD}	For normal operation, Flash programming	1.8	-	5.5	V
		When AMRC is used	2.0	-	5.5	V
Flash programming voltage	V _{PP}		7.3	7.5	7.7	V
LCD power supply voltage	V _{C1}	When an external voltage is applied	-	1.0	2.0	V
		V _{C1} ≤ V _{C2} ≤ V _{DD} ≤ V _{C3}	-	2.0	4.0	V
		*1	-	3.0	6.0	V
OSC1 oscillator oscillation frequency	f _{OSC1}	Crystal resonator	-	32.768	-	kHz
EXOSC external clock frequency	f _{EXOSC}	When supplied from an external oscillator	0.016	-	16.3	MHz
Bypass capacitor between V _{SS} and V _{DD}	CPW1		-	3.3	-	μF
Capacitor between V _{SS} and V _{D1}	CPW2		-	1.0	-	μF
Capacitor between V _{SS} and V _{C1}	CLCD1	*2	-	0.1	-	μF
Capacitor between V _{SS} and V _{C2}	CLCD2	*2	-	0.1	-	μF
Capacitor between V _{SS} and V _{C3}	CLCD3	*2	-	0.1	-	μF
Capacitor between C _{P1} and C _{P2}	CLCD4	*2	-	0.1	-	μF
Gate capacitor for OSC1 oscillator	CG1	*3	0	-	25	pF
Drain capacitor for OSC1 oscillator	CD1	*3	-	0	-	pF
DSIO pull-up resistor	R _{DBG}		-	10	-	kΩ
#RESET power-on-reset capacitor	C _{RES}	*4	-	0.47	-	μF
Capacitor between V _{SS} and V _{PP}	CV _{PP}		-	0.1	-	μF

*1 When the LCD driver is used with V_{DD} ≥ 4.6 V, the LCD power supply voltage should be set as |V_{C3} - V_{DD}| ≥ 0.4 V.

*2 The V_{C1}-V_{C3} and C_{P1}-C_{P2} pins can be left open when the LCD driver is not used.

*3 The component values should be determined after performing matching evaluation of the resonator mounted on the printed circuit board actually used.

*4 C_{RES} is not required when the power-on-reset function is not used.

17.3 Current Consumption

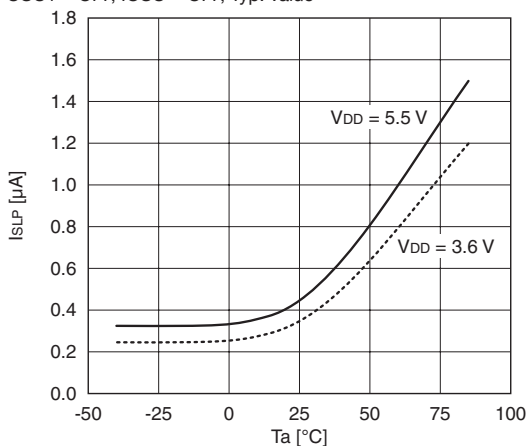
Unless otherwise specified: $V_{DD} = 1.8$ to 5.5 V, $V_{SS} = 0$ V, $T_a = 25$ °C, EXOSC = OFF, PWGVD1CTL.REGMODE[1:0] bits = 0x0 (automatic mode), FLASHWAIT.RDWAIT[1:0] bits = 0x0 (1 cycle)

Item	Symbol	Condition	V_{DD}	T_a	Min.	Typ.	Max.	Unit
Current consumption in SLEEP mode	ISLP	OSC1 = OFF, IOSC = OFF	3.6 V	25 °C	–	0.35	0.95	μA
				85 °C	–	1.2	9	μA
			5.5 V	25 °C	–	0.45	1.2	μA
				85 °C	–	1.5	13	μA
Current consumption in HALT mode	IHALT1	OSC1 = 32 kHz*1, IOSC = ON	3.6 V	25 °C	–	200	250	μA
	IHALT2	OSC1 = 32 kHz*1, IOSC = OFF			–	0.8	1.5	μA
Current consumption in RUN mode	IRUN10	OSC1 = 32 kHz*1, IOSC = ON, SYSCLK = IOSC, executed on Flash*2	5.5 V	25 °C	–	2,500	2,800	μA
		OSC1 = 32 kHz*1, IOSC = ON, SYSCLK = IOSC/8, executed on Flash*2			–	500	550	μA
	IRUN20	OSC1 = 32 kHz*1, IOSC = OFF, SYSCLK = OSC1, executed on Flash*2			–	12	14	μA
		OSC1 = 32 kHz*1, IOSC = OFF, SYSCLK = OSC1, executed on Flash*2, PWGVD1CTL.REGMODE[1:0] bits = 0x2 (normal mode)			–	22	26	μA
		OSC1 = 32 kHz*1, IOSC = OFF, SYSCLK = OSC1/2, executed on Flash*2			–	6	8	μA
	IRUN11	OSC1 = 32 kHz*1, IOSC = ON, SYSCLK = IOSC, executed on RAM*3			–	1,500	1,800	μA
IRUN21	OSC1 = 32 kHz*1, IOSC = OFF, SYSCLK = OSC1, executed on RAM*3	–	7	9	μA			

- *1 OSC1 oscillator: CLGOSC1.INV1N[1:0] bits = 0x0, CLGOSC1.CG1[2:0] bits = 0x0, CLGOSC1.OSDEN bit = 0, $C_{G1} = C_{D1} = 0$ pF, Crystal resonator = C-002RX (manufactured by EPSON TOYOCOM Corporation, $R_1 = 50$ kΩ (Max.), $C_L = 7$ pF)
- *2 The current consumption values were measured when a test program consisting of 60.5 % ALU instructions, 17 % branch instructions, 12 % RAM read instructions, and 10.5 % RAM write instructions was executed continuously in the Flash memory.
- *3 The current consumption values were measured when a test program consisting of 60.5 % ALU instructions, 17 % branch instructions, 12 % RAM read instructions, and 10.5 % RAM write instructions was executed continuously in the RAM.

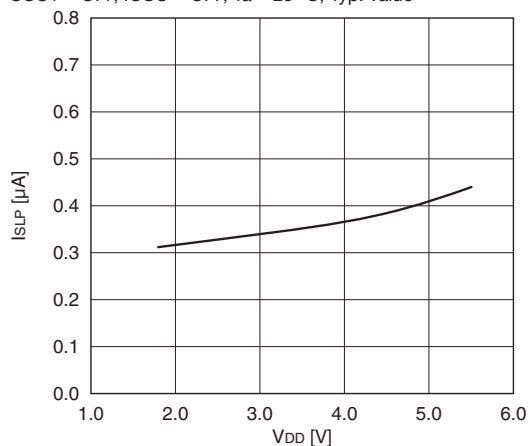
Current consumption-temperature characteristic in SLEEP mode

OSC1 = OFF, IOSC = OFF, Typ. value



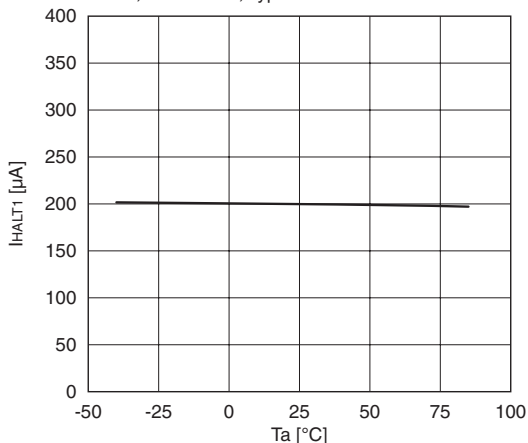
Current consumption-power supply voltage characteristic in SLEEP mode

OSC1 = OFF, IOSC = OFF, Ta = 25 °C, Typ. value



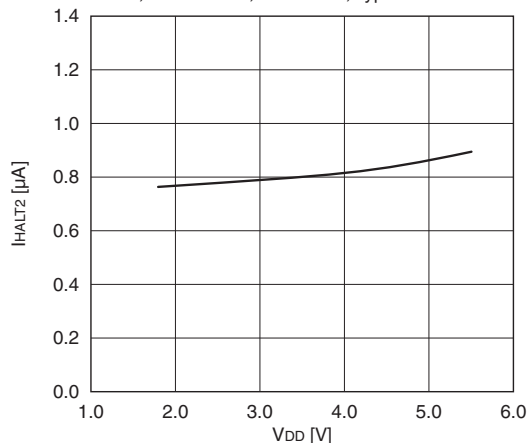
Current consumption-temperature characteristic in HALT mode (IOSC operation)

OSC1 = 32 kHz, IOSC = ON, Typ. value



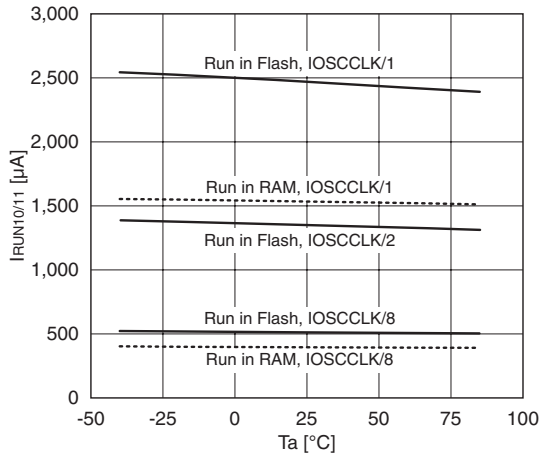
Current consumption-power supply voltage characteristic in HALT mode (OSC1 operation)

OSC1 = 32 kHz, IOSC = OFF, Ta = 25 °C, Typ. value



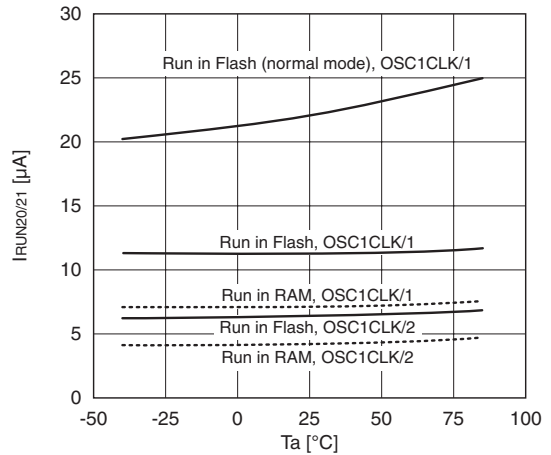
Current consumption-temperature characteristic in RUN mode (IOSC operation)

OSC1 = 32 kHz, IOSC = ON, Typ. value



Current consumption-temperature characteristic in RUN mode (OSC1 operation)

OSC1 = 32 kHz, IOSC = OFF, Typ. value

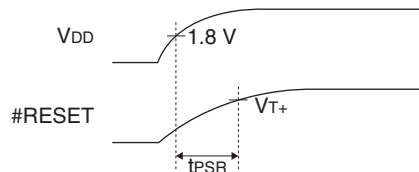
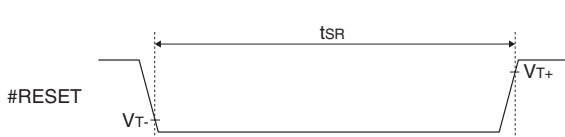


17.4 System Reset Controller (SRC) Characteristics

#RESET pin characteristics

Unless otherwise specified: $V_{DD} = 1.8$ to 5.5 V, $V_{SS} = 0$ V, $T_a = -40$ to 85 °C

Item	Symbol	Condition	Min.	Typ.	Max.	Unit
High level Schmitt input threshold voltage	V_{T+}		$0.5 \times V_{DD}$	–	$0.9 \times V_{DD}$	V
Low level Schmitt input threshold voltage	V_{T-}		$0.1 \times V_{DD}$	–	$0.5 \times V_{DD}$	V
Schmitt input hysteresis voltage	ΔV_T		180	–	–	mV
Input pull-up resistance	R_{IN}		100	270	500	k Ω
Pin capacitance	C_{IN}		–	–	15	pF
Reset Low pulse width	tSR		2	–	–	μ s
#RESET power-on-reset time	tPSR		1	–	–	ms



Note: When performing a power-on-reset again after the power is turned off, the #RESET pin level must be set to $0.1 \times V_{DD}$ or less.

Reset hold circuit characteristics

Unless otherwise specified: $V_{DD} = 1.8$ to 5.5 V, $V_{SS} = 0$ V, $T_a = -40$ to 85 °C

Item	Symbol	Condition	Min.	Typ.	Max.	Unit
Reset hold time*1	tRSTR		–	–	150	μ s

*1 Time until the internal reset signal is negated after the reset request is canceled.

17.5 Clock Generator (CLG) Characteristics

Oscillator circuit characteristics including resonators change depending on conditions (board pattern, components used, etc.). Use these characteristic values as a reference and perform matching evaluation using the actual printed circuit board.

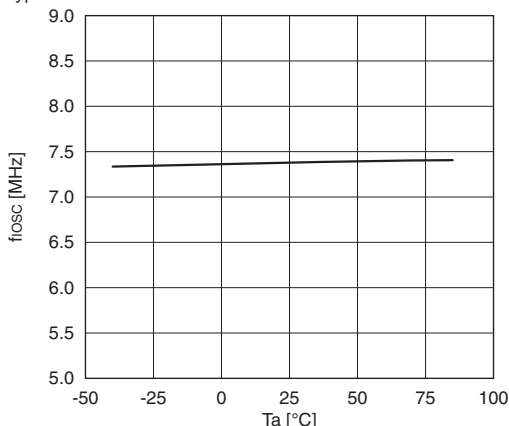
IOSC oscillator circuit characteristics

Unless otherwise specified: $V_{DD} = 1.8$ to 5.5 V, $V_{SS} = 0$ V, $T_a = -40$ to 85 °C

Item	Symbol	Condition	T_a	Min.	Typ.	Max.	Unit
Oscillation start time	tstal			–	–	3	μ s
Oscillation frequency	fosc		25 °C	7.23	7.37	7.52	MHz
			-40 to 85 °C	7.00	7.37	7.74	MHz

IOSC oscillation frequency-temperature characteristic

Typ. value



OSC1 oscillator circuit characteristics

Unless otherwise specified: V_{DD} = 1.8 to 5.5 V, V_{SS} = 0 V, Ta = 25 °C

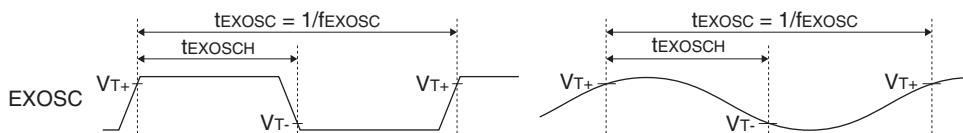
Item	Symbol	Condition	Min.	Typ.	Max.	Unit
Oscillation start time *1	t _{sta1}	CLGOSC1.OSC1BUP bit = 0	-	-	3	s
Internal gate capacitance	CGI1	CLGOSC1.CGI1[2:0] bits = 0x0	-	12	-	pF
		CLGOSC1.CGI1[2:0] bits = 0x1	-	14	-	pF
		CLGOSC1.CGI1[2:0] bits = 0x2	-	16	-	pF
		CLGOSC1.CGI1[2:0] bits = 0x3	-	18	-	pF
		CLGOSC1.CGI1[2:0] bits = 0x4	-	19	-	pF
		CLGOSC1.CGI1[2:0] bits = 0x5	-	21	-	pF
		CLGOSC1.CGI1[2:0] bits = 0x6	-	23	-	pF
CLGOSC1.CGI1[2:0] bits = 0x7	-	24	-	pF		
Internal drain capacitance	CDI1		-	8	-	pF
Oscillator circuit current - oscillation inverter drivability ratio *1	IOSC1R	CLGOSC1.INV1N/INV1B[1:0] bits = 0x0	-	70	-	%
		CLGOSC1.INV1N/INV1B[1:0] bits = 0x1 (reference)	-	100	-	%
		CLGOSC1.INV1N/INV1B[1:0] bits = 0x2	-	130	-	%
		CLGOSC1.INV1N/INV1B[1:0] bits = 0x3	-	300	-	%
Oscillation stop detector current	IOSD1	CLGOSC1.OSDEN bit = 1	-	0.025	0.1	µA

*1 Crystal resonator = C-002RX (manufactured by EPSON TOYOCOM Corporation, R₁ = 50 kΩ (Max.), C_L = 7 pF)

EXOSC external clock input characteristics

Unless otherwise specified: V_{DD} = 1.8 to 5.5 V, V_{SS} = 0 V, Ta = -40 to 85 °C

Item	Symbol	Condition	Min.	Typ.	Max.	Unit
EXOSC external clock duty ratio	t _{EXOSCD}	t _{EXOSCD} = t _{EXOSCH} /t _{EXOSC}	46	-	54	%
High level Schmitt input threshold voltage	V _{T+}		0.5 × V _{DD}	-	0.9 × V _{DD}	V
Low level Schmitt input threshold voltage	V _{T-}		0.1 × V _{DD}	-	0.5 × V _{DD}	V
Schmitt input hysteresis voltage	ΔV _T		180	-	-	mV



17.6 Flash Memory Characteristics

Unless otherwise specified: V_{DD} = 1.8 to 5.5 V, V_{SS} = 0 V, Ta = -40 to 85 °C

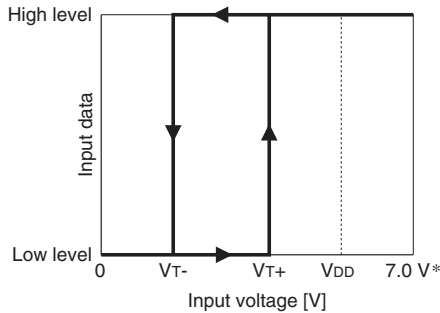
Item	Symbol	Condition	Min.	Typ.	Max.	Unit
Programming count *1	CFEP	Programmed data is guaranteed to be retained for 10 years.	50	-	-	times

*1 Assumed that Erasing + Programming as count of 1. The count includes programming in the factory for shipment with ROM data programmed.

17.7 Input/Output Port (PPORT) Characteristics

Unless otherwise specified: $V_{DD} = 1.8$ to 5.5 V, $V_{SS} = 0$ V, $T_a = -40$ to 85 °C

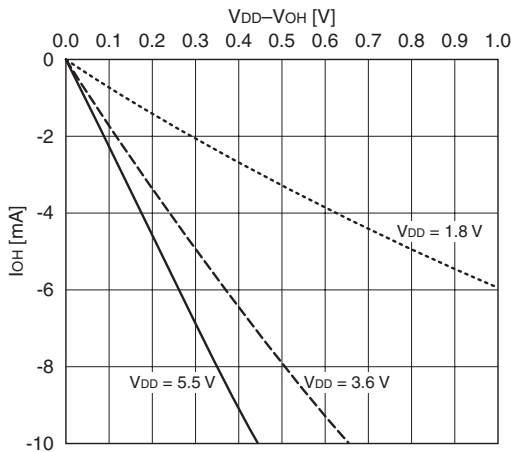
Item	Symbol	Condition	Min.	Typ.	Max.	Unit
High level Schmitt input threshold voltage	V_{T+}	P00-07, P10-17, P20-21, P30-31, P33, P35-36, P56-57, PD0-D1	$0.5 \times V_{DD}$	-	$0.9 \times V_{DD}$	V
Low level Schmitt input threshold voltage	V_{T-}	P00-07, P10-17, P20-21, P30-31, P33, P35-36, P56-57, PD0-D1	$0.1 \times V_{DD}$	-	$0.5 \times V_{DD}$	V
Schmitt input hysteresis voltage	ΔV_T	P00-07, P10-17, P20-21, P30-31, P33, P35-36, P56-57, PD0-D1	180	-	-	mV
High level output current	I_{OH}	P00-07, P10-17, P20-21, P32, P34-35, P56-57, PD0-D2, $V_{OH} = 0.9 \times V_{DD}$	-	-	-0.5	mA
Low level output current	I_{OL}	P00-07, P10-17, P20-21, P32, P34-35, P56-57, PD0-D2, $V_{OL} = 0.1 \times V_{DD}$	0.5	-	-	mA
Leakage current	I_{LEAK}	P00-07, P10-17, P20-27, P30-37, P40-47, P50-57, PD0-D1	-150	-	150	nA
Input pull-up resistance	R_{INU}	P00-07, P10, P12-17, P20-21, P33, P35-36, P56-57, PD0-D1	75	150	300	k Ω
Input pull-down resistance	R_{IND}	P00-07, P12, P14-17, P20-21, P35, P56-57, PD0-D1	75	150	300	k Ω
Pin capacitance	C_{IN}	P00-07, P10-17, P20-27, P30-37, P40-47, P50-57, PD0-D2	-	-	15	pF



(* For over voltage tolerant fail-safe type port)

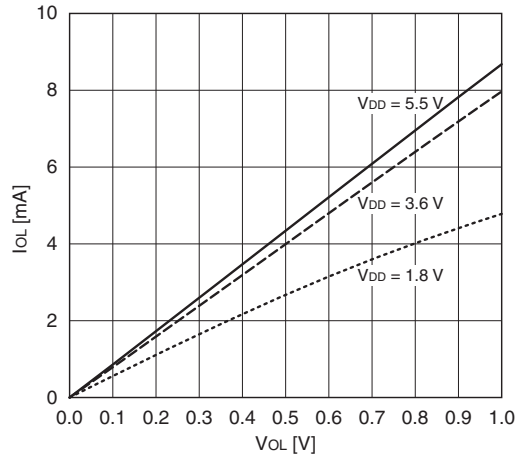
High-level output current characteristic

$T_a = 85$ °C, Max. value



Low-level output current characteristic

$T_a = 85$ °C, Min. value

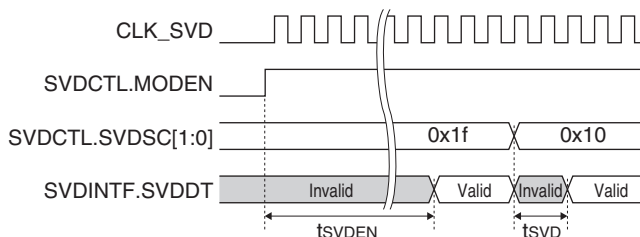


17.8 Supply Voltage Detector (SVD) Characteristics

Unless otherwise specified: $V_{DD} = 1.8$ to 5.5 V, $V_{SS} = 0$ V, $T_a = -40$ to 85 °C

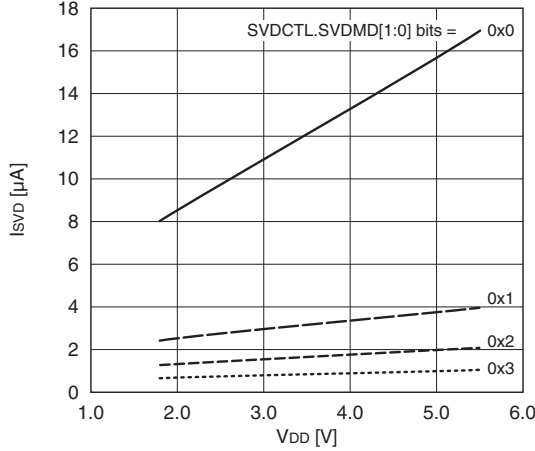
Item	Symbol	Condition	Min.	Typ.	Max.	Unit
EXSVD pin input voltage range	V_{EXSVD}		0	–	V_{DD}	V
EXSVD input impedance	R_{EXSVD}	SVDCTL.SVDC[4:0] bits = 0x0c	309	442	575	kΩ
		SVDCTL.SVDC[4:0] bits = 0x0d	327	467	607	kΩ
		SVDCTL.SVDC[4:0] bits = 0x0e	344	492	640	kΩ
		SVDCTL.SVDC[4:0] bits = 0x0f	362	517	672	kΩ
		SVDCTL.SVDC[4:0] bits = 0x10	379	542	705	kΩ
		SVDCTL.SVDC[4:0] bits = 0x11	397	567	737	kΩ
		SVDCTL.SVDC[4:0] bits = 0x12	414	592	770	kΩ
		SVDCTL.SVDC[4:0] bits = 0x13	432	617	802	kΩ
		SVDCTL.SVDC[4:0] bits = 0x14	449	642	835	kΩ
		SVDCTL.SVDC[4:0] bits = 0x15	467	667	867	kΩ
		SVDCTL.SVDC[4:0] bits = 0x16	484	692	900	kΩ
		SVDCTL.SVDC[4:0] bits = 0x17	502	717	932	kΩ
		SVDCTL.SVDC[4:0] bits = 0x18	519	742	965	kΩ
		SVDCTL.SVDC[4:0] bits = 0x19	537	767	997	kΩ
		SVDCTL.SVDC[4:0] bits = 0x1a	554	792	1,030	kΩ
		SVDCTL.SVDC[4:0] bits = 0x1b	572	817	1,062	kΩ
		SVDCTL.SVDC[4:0] bits = 0x1c	589	842	1,095	kΩ
		SVDCTL.SVDC[4:0] bits = 0x1d	607	867	1,127	kΩ
		SVDCTL.SVDC[4:0] bits = 0x1e	624	892	1,160	kΩ
		SVDCTL.SVDC[4:0] bits = 0x1f	642	917	1,192	kΩ
SVD detection voltage	V_{SVD}	SVDCTL.SVDC[4:0] bits = 0x0c	1.76	1.80	1.85	V
		SVDCTL.SVDC[4:0] bits = 0x0d	1.85	1.90	1.95	V
		SVDCTL.SVDC[4:0] bits = 0x0e	1.95	2.00	2.05	V
		SVDCTL.SVDC[4:0] bits = 0x0f	2.05	2.10	2.15	V
		SVDCTL.SVDC[4:0] bits = 0x10	2.15	2.20	2.26	V
		SVDCTL.SVDC[4:0] bits = 0x11	2.24	2.30	2.36	V
		SVDCTL.SVDC[4:0] bits = 0x12	2.34	2.40	2.46	V
		SVDCTL.SVDC[4:0] bits = 0x13	2.44	2.50	2.56	V
		SVDCTL.SVDC[4:0] bits = 0x14	2.54	2.60	2.67	V
		SVDCTL.SVDC[4:0] bits = 0x15	2.63	2.70	2.77	V
		SVDCTL.SVDC[4:0] bits = 0x16	2.73	2.80	2.87	V
		SVDCTL.SVDC[4:0] bits = 0x17	2.83	2.90	2.97	V
		SVDCTL.SVDC[4:0] bits = 0x18	2.93	3.00	3.08	V
		SVDCTL.SVDC[4:0] bits = 0x19	3.02	3.10	3.18	V
		SVDCTL.SVDC[4:0] bits = 0x1a	3.12	3.20	3.28	V
		SVDCTL.SVDC[4:0] bits = 0x1b	3.22	3.30	3.38	V
		SVDCTL.SVDC[4:0] bits = 0x1c	3.32	3.40	3.49	V
SVDCTL.SVDC[4:0] bits = 0x1d	3.41	3.50	3.59	V		
SVDCTL.SVDC[4:0] bits = 0x1e	3.51	3.60	3.69	V		
SVDCTL.SVDC[4:0] bits = 0x1f	3.61	3.70	3.79	V		
SVD circuit enable response time	t_{SVDEN}	*1	–	–	500	μs
SVD circuit response time	t_{SVD}		–	–	60	μs
SVD circuit current	I_{SVD}	SVDCTL.SVDM[1:0] bits = 0x0, SVDCTL.SVDC[4:0] bits = 0x0c, CLK_SVD = 32 kHz, $T_a = 25$ °C	–	17	30	μA
		SVDCTL.SVDM[1:0] bits = 0x1, SVDCTL.SVDC[4:0] bits = 0x0c, CLK_SVD = 32 kHz, $T_a = 25$ °C	–	4	6	μA
		SVDCTL.SVDM[1:0] bits = 0x2, SVDCTL.SVDC[4:0] bits = 0x0c, CLK_SVD = 32 kHz, $T_a = 25$ °C	–	2	4	μA
		SVDCTL.SVDM[1:0] bits = 0x3, SVDCTL.SVDC[4:0] bits = 0x0c, CLK_SVD = 32 kHz, $T_a = 25$ °C	–	1	3	μA

*1 If CLK_SVD is configured in the neighborhood of 32 kHz, the SVDINTF.SVDDT bit is masked during the t_{SVDEN} period and it retains the previous value.



SVD circuit current-power supply voltage characteristic

Ta = 25 °C, SVDCTL.SVDC[4:0] bits = 0x0c, CLK_SVD = 32 kHz, Typ. value



17.9 UART (UART) Characteristics

Unless otherwise specified: VDD = 1.8 to 5.5 V, VSS = 0 V, Ta = -40 to 85 °C

Item	Symbol	Condition	Min.	Typ.	Max.	Unit
Transfer baud rate	UBRT1	Normal mode	150	-	460,800	bps
	UBRT2	IrDA mode	150	-	115,200	bps

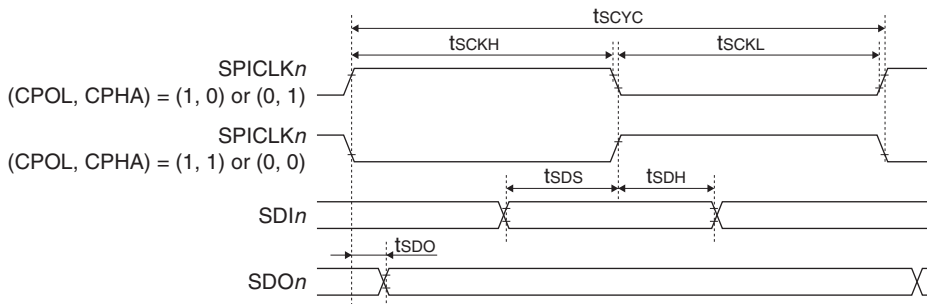
17.10 Synchronous Serial Interface (SPIA) Characteristics

Unless otherwise specified: VDD = 1.8 to 5.5 V, VSS = 0 V, Ta = -40 to 85 °C

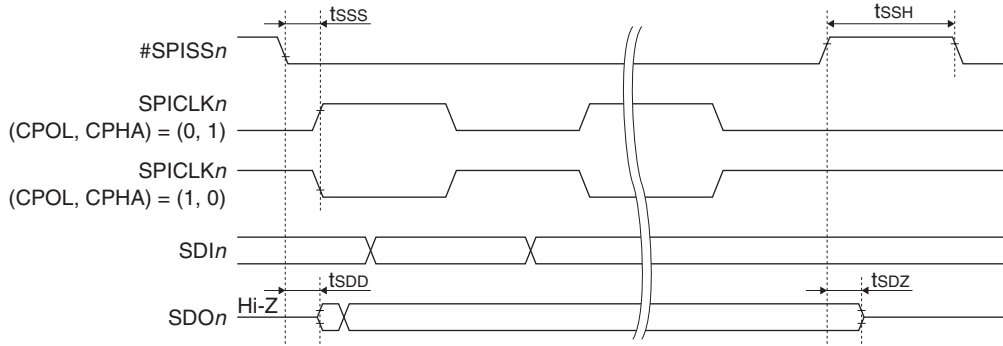
Item	Symbol	Condition	Min.	Typ.	Max.	Unit
SPICLK _n cycle time	t _{SCYC}		500	-	-	ns
SPICLK _n High pulse width	t _{SCKH}		200	-	-	ns
SPICLK _n Low pulse width	t _{SCKL}		200	-	-	ns
SDIn setup time	t _{SDS}		70	-	-	ns
SDIn hold time	t _{SDH}		10	-	-	ns
SDOn output delay time	t _{SDO}	CL = 30 pF *1	-	-	100	ns
#SPISS _n setup time	t _{SSS}		70	-	-	ns
#SPISS _n High pulse width	t _{SSH}		80	-	-	ns
SDOn output start time	t _{SDD}	CL = 30 pF *1	-	-	100	ns
SDOn output stop time	t _{SDZ}	CL = 30 pF *1	-	-	80	ns

*1 CL = Pin load

Common to master and slave modes



Slave mode

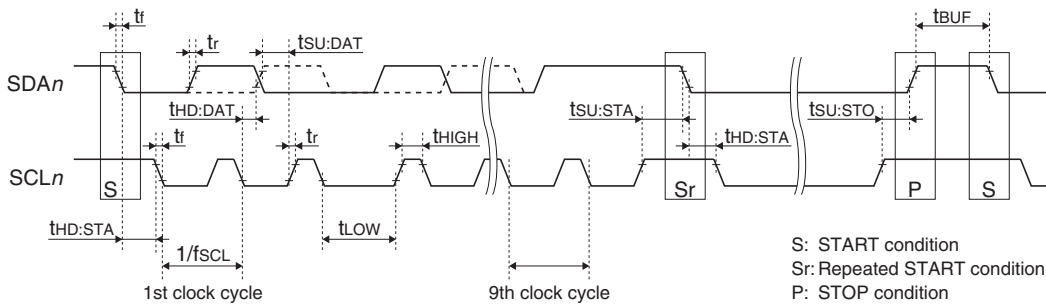


17.11 I²C (I2C) Characteristics

Unless otherwise specified: V_{DD} = 1.8 to 5.5 V, V_{SS} = 0 V, T_a = -40 to 85 °C

Item	Symbol	Condition	Standard mode			Fast mode			Unit
			Min.	Typ.	Max.	Min.	Typ.	Max.	
SCL _n frequency	f _{SCL}		0	–	100	0	–	400	kHz
Hold time (repeated) START condition *	t _{HD:STA}		4.0	–	–	0.6	–	–	μs
SCL _n Low pulse width	t _{LOW}		4.7	–	–	1.3	–	–	μs
SCL _n High pulse width	t _{HIGH}		4.0	–	–	0.6	–	–	μs
Repeated START condition setup time	t _{SU:STA}		4.7	–	–	0.6	–	–	μs
Data hold time	t _{HD:DAT}		0	–	–	0	–	–	μs
Data setup time	t _{SU:DAT}		250	–	–	100	–	–	ns
SDA _n , SCL _n rise time	t _r		–	–	1,000	–	–	300	ns
SDA _n , SCL _n fall time	t _f		–	–	300	–	–	300	ns
STOP condition setup time	t _{SU:STO}		4.0	–	–	0.6	–	–	μs
Bus free time	t _{BUF}		4.7	–	–	1.3	–	–	μs

* After this period, the first clock pulse is generated.



S: START condition
 Sr: Repeated START condition
 P: STOP condition

17.12 LCD Driver (LCD8A) Characteristics

The LCD driver characteristics varies depending on the panel load (panel size, drive duty, number of display pixels and display contents), so evaluate them by connecting to the actually used LCD panel.

Unless otherwise specified: $V_{DD} = 1.8$ to 5.5 V, $V_{SS} = 0$ V, $T_a = 25$ °C, LCD8TIM.BSTC[1:0] bits = 0x1 (Voltage booster clock = 2 kHz), No panel load

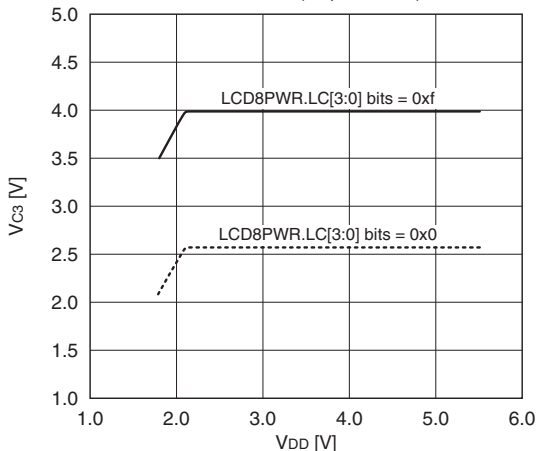
Item	Symbol	Condition	Min.	Typ.	Max.	Unit	
LCD drive voltage (V_{C2} reference voltage) $V_{DD} = 2.5$ to 5.5 V	V_{C1}	Connect 1 M Ω load resistor between V_{SS} and V_{C1}	0.32 × V_{C3} (Typ.)	–	0.35 × V_{C3} (Typ.)	V	
			0.66 × V_{C3} (Typ.)	–	0.69 × V_{C3} (Typ.)	V	
	V_{C3}	Connect 1 M Ω load resistor between V_{SS} and V_{C3}	LCD8PWR.LC[3:0] bits = 0x0	2.47	2.55	2.63	V
			LCD8PWR.LC[3:0] bits = 0x1	2.53	2.61	2.69	V
			LCD8PWR.LC[3:0] bits = 0x2	2.59	2.67	2.75	V
			LCD8PWR.LC[3:0] bits = 0x3	2.65	2.73	2.81	V
			LCD8PWR.LC[3:0] bits = 0x4	2.71	2.79	2.87	V
			LCD8PWR.LC[3:0] bits = 0x5	2.75	2.84	2.93	V
			LCD8PWR.LC[3:0] bits = 0x6	2.81	2.90	2.99	V
			LCD8PWR.LC[3:0] bits = 0x7	2.87	2.96	3.05	V
			LCD8PWR.LC[3:0] bits = 0x8	2.93	3.02	3.11	V
			LCD8PWR.LC[3:0] bits = 0x9	2.99	3.08	3.17	V
			LCD8PWR.LC[3:0] bits = 0xa	3.05	3.14	3.23	V
			LCD8PWR.LC[3:0] bits = 0xb	3.10	3.20	3.30	V
LCD drive voltage (V_{C1} reference voltage) $V_{DD} = 1.8$ to 5.5 V	V_{C1}	Connect 1 M Ω load resistor between V_{SS} and V_{C1}	0.33 × V_{C3} (Typ.)	–	0.36 × V_{C3} (Typ.)	V	
			0.66 × V_{C3} (Typ.)	–	0.69 × V_{C3} (Typ.)	V	
	V_{C3}	Connect 1 M Ω load resistor between V_{SS} and V_{C3}	LCD8PWR.LC[3:0] bits = 0x0	2.41	2.48	2.55	V
			LCD8PWR.LC[3:0] bits = 0x1	2.46	2.54	2.62	V
			LCD8PWR.LC[3:0] bits = 0x2	2.51	2.59	2.67	V
			LCD8PWR.LC[3:0] bits = 0x3	2.57	2.65	2.73	V
			LCD8PWR.LC[3:0] bits = 0x4	2.63	2.71	2.79	V
			LCD8PWR.LC[3:0] bits = 0x5	2.68	2.76	2.84	V
			LCD8PWR.LC[3:0] bits = 0x6	2.74	2.82	2.90	V
			LCD8PWR.LC[3:0] bits = 0x7	2.79	2.88	2.97	V
			LCD8PWR.LC[3:0] bits = 0x8	2.85	2.94	3.03	V
			LCD8PWR.LC[3:0] bits = 0x9	2.90	2.99	3.08	V
			LCD8PWR.LC[3:0] bits = 0xa	2.96	3.05	3.14	V
			LCD8PWR.LC[3:0] bits = 0xb	3.02	3.11	3.20	V
Segment/Common output current	ISEGH	SEG0–31, COM0–7 $V_{SEGH} = V_{C3}/V_{C2}/V_{C1} - 0.1$ V, $T_a = -40$ to 85 °C	–	–	-10	μ A	
		ISEGL	SEG0–31, COM0–7 $V_{SEGL} = V_{SS}/V_{C2}/V_{C1} + 0.1$ V, $T_a = -40$ to 85 °C	10	–	–	μ A
LCD circuit current (V_{C2} reference voltage)	l.LCD2	LCD8DSP.DSPC[1:0] bits = 0x1 (checker pattern), LCD8PWR.VCSEL bit = 1 *1 *2	–	1.8	5	μ A	
		LCD8DSP.DSPC[1:0] bits = 0x2 (all on), LCD8PWR.VCSEL bit = 1 *1 *2	–	0.5	3.5	μ A	
LCD circuit current (V_{C1} reference voltage)	l.LCD1	LCD8DSP.DSPC[1:0] bits = 0x1 (checker pattern), LCD8PWR.VCSEL bit = 0 *1 *2	–	3.6	9	μ A	
		LCD8DSP.DSPC[1:0] bits = 0x2 (all on), LCD8PWR.VCSEL bit = 0 *1 *2	–	0.8	6	μ A	
LCD circuit current in heavy load protection mode (V_{C2} reference voltage)	l.LCD2H	LCD8DSP.DSPC[1:0] bits = 0x2 (all on), LCD8PWR.VCSEL bit = 1, LCD8PWR.HVLD bit = 1 *1 *2	–	10	20	μ A	
LCD circuit current in heavy load protection mode (V_{C1} reference voltage)	l.LCD1H	LCD8DSP.DSPC[1:0] bits = 0x2 (all on), LCD8PWR.VCSEL bit = 0, LCD8PWR.HVLD bit = 1 *1 *2	–	5	15	μ A	

*1 Other LCD driver settings: LCD8PWR.LC[3:0] bits = 0xf, CLK_LCD8A = 32 kHz, LCD8TIM.FRMCNT[3:0] bits = 0x3 (frame frequency = 64 Hz)

*2 The value is added to the current consumption in HALT/RUN mode. Current consumption increases according to the display contents and panel load.

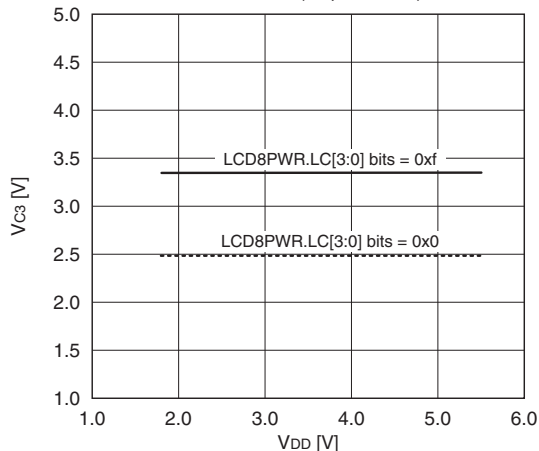
LCD drive voltage-power supply voltage characteristic (V_{c2} reference voltage)

T_a = 25 °C, Typ. value, when a 1 MΩ load resistor is connected between V_{SS} and V_{C3} (no panel load)



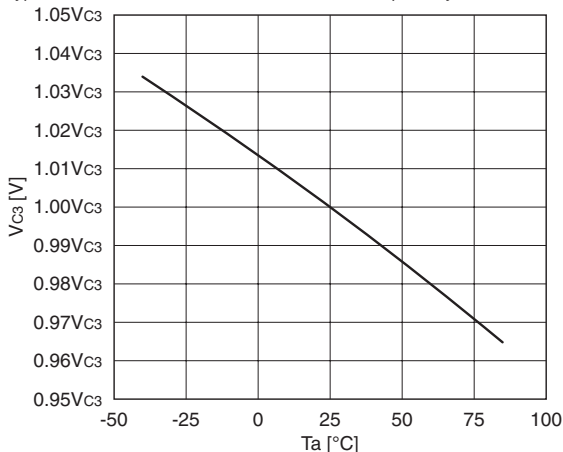
LCD drive voltage-power supply voltage characteristic (V_{c1} reference voltage)

T_a = 25 °C, Typ. value, when a 1 MΩ load resistor is connected between V_{SS} and V_{C3} (no panel load)



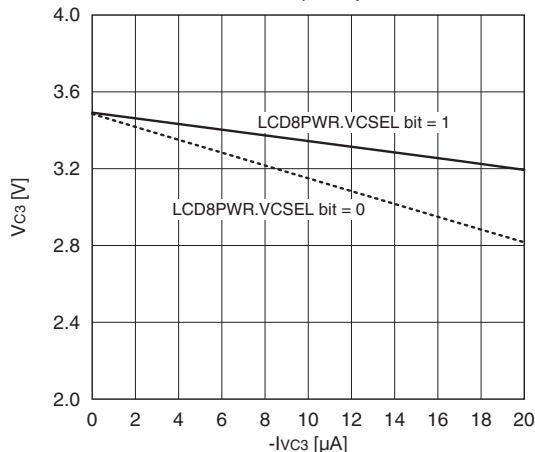
LCD drive voltage-temperature characteristic (V_{c1}/V_{c2} reference voltage)

Typ. value, when a load is connected to the V_{C3} pin only



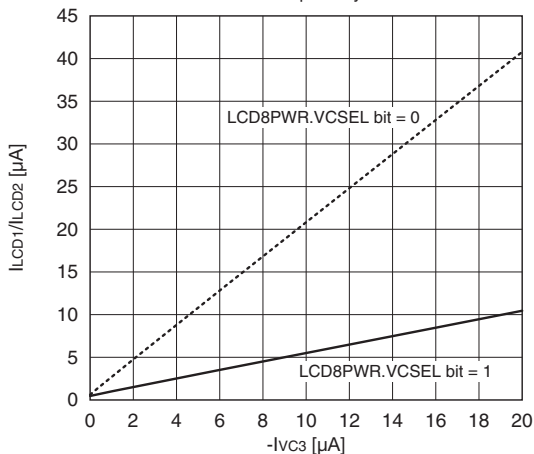
LCD drive voltage-load characteristic

T_a = 25 °C, Typ. value, LCD8PWR.LC[3:0] bits = 0xf, when a load is connected to the V_{C3} pin only



LCD circuit current-load characteristic

T_a = 25 °C, Typ. value, LCD8PWR.LC[3:0] bits = 0xf, when a load is connected to the V_{C3} pin only



17.13 R/F Converter (RFC) Characteristics

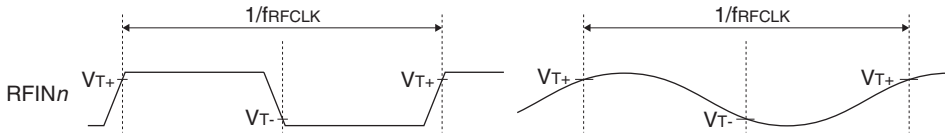
R/F converter characteristics change depending on conditions (board pattern, components used, etc.). Use these characteristic values as a reference and perform evaluation using the actual printed circuit board.

Unless otherwise specified: $V_{DD} = 1.8$ to 5.5 V, $V_{SS} = 0$ V, $T_a = -40$ to 85 °C

Item	Symbol	Condition	Min.	Typ.	Max.	Unit
Reference/sensor oscillation frequency	f_{RFCLK}		1	–	4,000	kHz
Reference/sensor oscillation frequency IC deviation	$\Delta f_{RFCLK}/\Delta IC$	$T_a = 25$ °C *1	$V_{DD} = 1.8$ V -30 $V_{DD} = 5.5$ V -40	–	30 40	%
Reference resistor/resistive sensor resistance	R_{REF}, R_{SEN}		10	–	–	k Ω
Reference capacitance	C_{REF}		100	–	–	pF
Time base counter clock frequency	f_{TCCLK}		–	–	8.2	MHz
High level Schmitt input threshold voltage	V_{T+}		$0.5 \times V_{DD}$	–	$0.9 \times V_{DD}$	V
Low level Schmitt input threshold voltage	V_{T-}		$0.1 \times V_{DD}$	–	$0.5 \times V_{DD}$	V
Schmitt input hysteresis voltage	ΔV_T		180	–	–	mV
R/F converter operating current	I_{RFC}	$C_{REF} = 1000$ pF $R_{REF}/R_{SEN} = 100$ k Ω , $T_a = 25$ °C	DC oscillation mode – AC oscillation mode –	0.9 2	1.5 3.5	mA mA

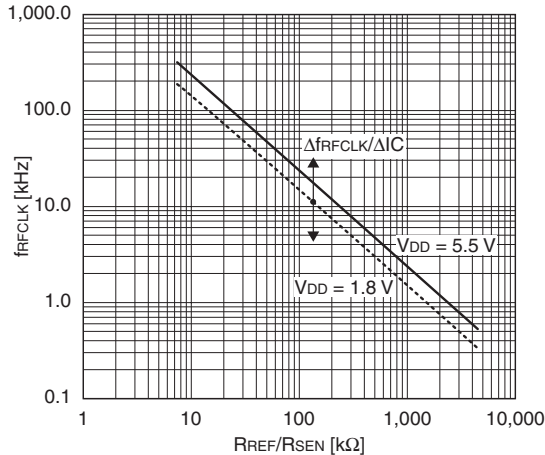
*1 In this characteristic, unevenness between production lots, and variations in measurement board, resistances and capacitances are taken into account.

Waveforms for external clock input mode



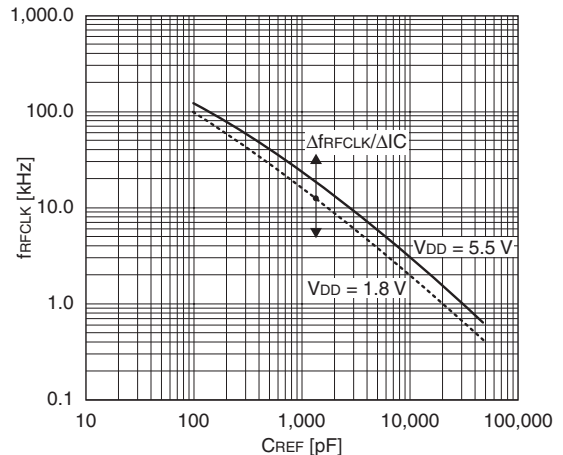
RFC reference/sensor oscillation frequency-resistance characteristic

$C_{REF} = 1,000$ pF, $T_a = 25$ °C, Typ. value



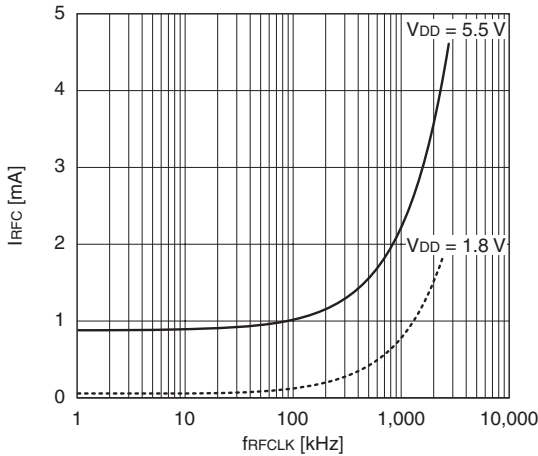
RFC reference/sensor oscillation frequency-capacitance characteristic

$R_{REF}/R_{SEN} = 100$ k Ω , $T_a = 25$ °C, Typ. value



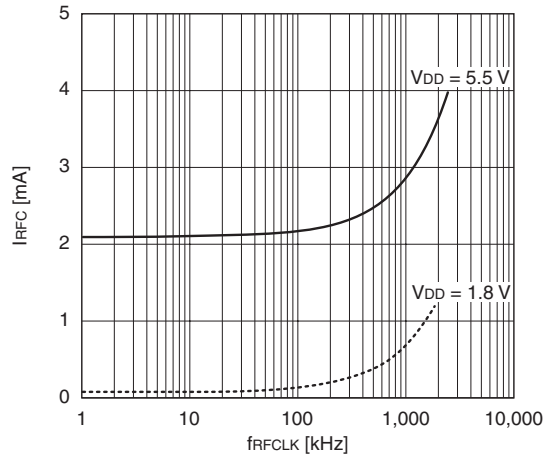
RFC reference/sensor oscillation current consumption-frequency characteristic (DC oscillation mode)

C_{REF} = 1,000 pF, T_a = 25 °C, Typ. value



RFC reference/sensor oscillation current consumption-frequency characteristic (AC oscillation mode)

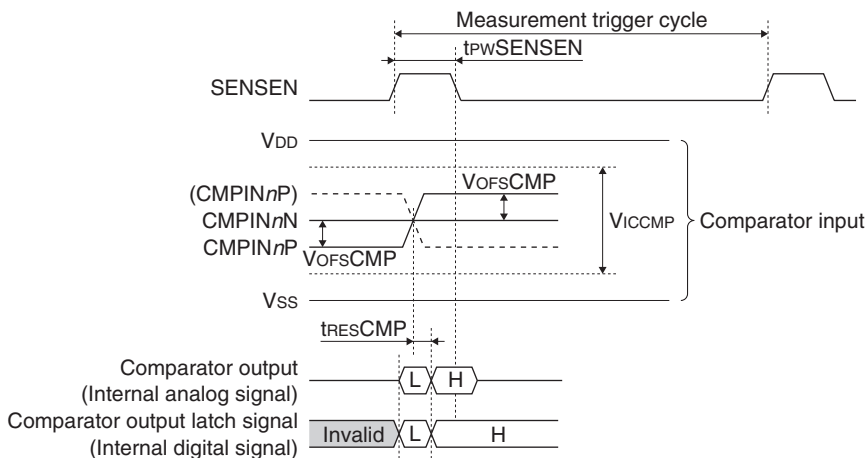
C_{REF} = 1,000 pF, T_a = 25 °C, Typ. value



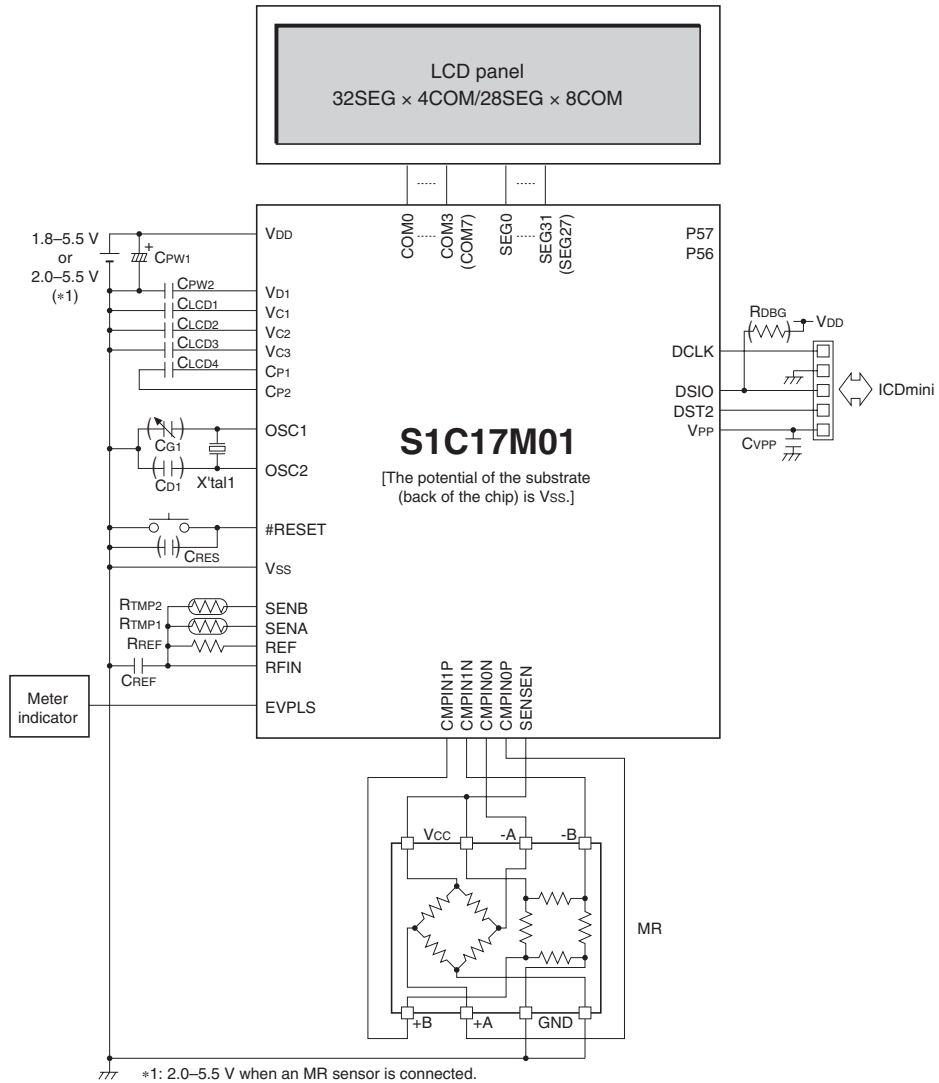
17.14 MR Sensor Controller (AMRC) Characteristics

Unless otherwise specified: V_{DD} = 2.0 to 5.5 V, V_{SS} = 0 V, T_a = -40 to 85 °C

Item	Symbol	Condition	Min.	Typ.	Max.	Unit
High level output current	I _{OH}	SENSEN, EVPLS, EXHYS _n , V _{OH} = 0.9 × V _{DD}	-	-	-0.5	mA
Low level output current	I _{OL}	SENSEN, EVPLS, EXHYS _n , V _{OL} = 0.1 × V _{DD}	0.5	-	-	mA
Leakage current	I _{LEAK}	CMPIN _{nP} , CMPIN _{nN}	-150	-	150	nA
Pin capacitance	C _{IN}	CMPIN _{nP} , CMPIN _{nN}	-	-	15	pF
Comparator input voltage range	V _{ICOMP}	CMPIN _{nP} , CMPIN _{nN}	0	-	V _{DD} - 1.0	V
Comparator input offset voltage	V _{OFS} CMP	T _a = 25 °C	-	3	24	mV
Comparator input hysteresis voltage	ΔV _{TCMP}	T _a = 25 °C	-	1.25 × 10 ⁻³ × V _{DD}	-	V
SENSEN trigger pulse width	tp _W SENSEN		5	-	-	μs
Comparator response time	t _{RES} CMPHL	When the comparator output changes H to L	0.5	0.75	1	μs
	t _{RES} CMP LH	When the comparator output changes L to H	0.5	0.75	1	μs
MR sensor controller circuit current	I _{AMRC}	T _a = 25 °C, V _{DD} = 3.3 V, R _{SENSEN} = 5 kΩ, sampling cycle = 682.7 Hz, MR sensor current, I _{HALT2} and I _{LCD2} currents included	-	6.5	-	μA



18 Basic External Connection Diagram



Sample external components

Symbol	Name	Recommended components
X'tal1	32 kHz crystal resonator	C-002RX (R ₁ = 50 kΩ (Max.), C _L = 7 pF) manufactured by EPSON TOYOCOM Corporation
CG1	OSC1 gate capacitor	Trimmer capacitor or ceramic capacitor
CD1	OSC1 drain capacitor	Ceramic capacitor
CPW1	Bypass capacitor between V _{DD} -V _{SS}	Ceramic capacitor or electrolytic capacitor
CPW2	V _{D1} stabilization capacitor	Ceramic capacitor
CLCD1-3	V _{C1-3} stabilization capacitor	Ceramic capacitor
CLCD4	LCD voltage boosting capacitor	Ceramic capacitor
RDBG	DSIO pull-up resistor	Thick film chip resistor
CRES	#RESET power-on-reset capacitor	Ceramic capacitor
MR	MR sensor	KG1205-61 manufactured by KOHDEN Co.,Ltd.
RREF	RFC reference resistor	Thick film chip resistor
RTMP1,2	Resistive sensors	Temperature sensor 103AP-2 manufactured by SEMITEC Corporation Humidity sensor C15-M53R manufactured by SHINYEI Technology Co.,Ltd. (* In AC oscillation mode for resistive sensor measurements)
CREF	RFC reference capacitor	Ceramic capacitor
CVPP	Capacitor between V _{SS} -V _{PP}	Ceramic capacitor

* For recommended component values, refer to "Recommended Operating Conditions" in the "Electrical Characteristics" chapter.

19 Package

QFP13-64PIN (P-LQFP064-1010-0.50)

(Unit: mm)

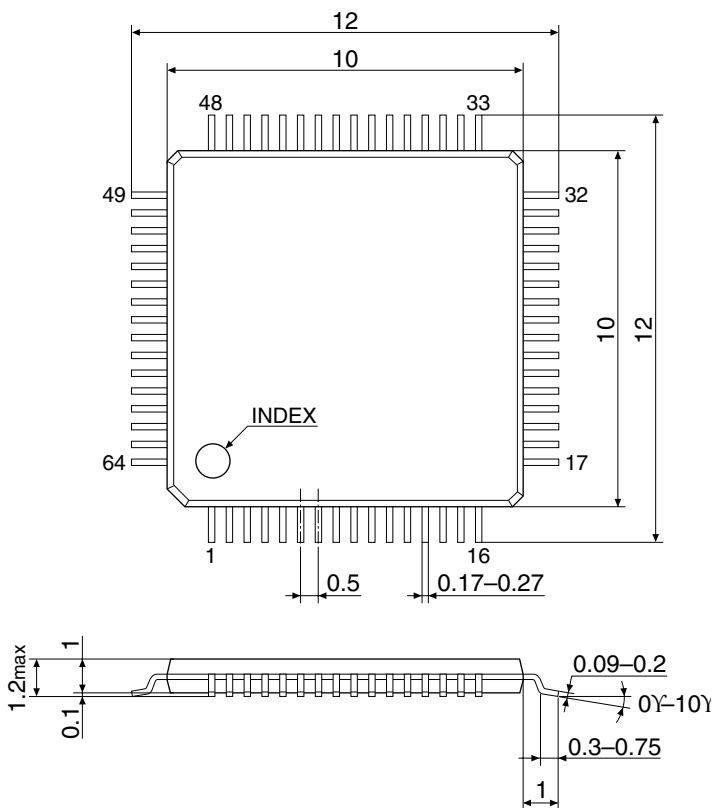


Figure 19.1 TQFP13-64PIN Package Dimensions

Appendix A List of Peripheral Circuit Control Registers

0x4000–0x4008			Misc Registers (MISC)				
Address	Register name	Bit	Bit name	Initial	Reset	R/W	Remarks
0x4000	MSCPROT (MISC System Protect Register)	15–0	PROT[15:0]	0x0000	H0	R/W	–
0x4002	MSCIRAMSZ (MISC IRAM Size Register)	15–9	–	0x00	–	R	Always set to 0.
		8	(reserved)	0	H0	R/WP	
		7	–	0	–	R	
		6–4	(reserved)	0x3	–	R	
		3	–	0	–	R	
0x4004	MSCTTBRL (MISC Vector Table Address Low Register)	15–8	TTBR[15:8]	0x80	H0	R/WP	–
		7–0	TTBR[7:0]	0x00	H0	R	
0x4006	MSCTTBRH (MISC Vector Table Address High Register)	15–8	–	0x00	–	R	–
		7–0	TTBR[23:16]	0x00	H0	R/WP	
0x4008	MSCPSR (MISC PSR Register)	15–8	–	0x00	–	R	–
		7–5	PSRIL[2:0]	0x0	H0	R	
		4	PSRIE	0	H0	R	
		3	PSRC	0	H0	R	
		2	PSRV	0	H0	R	
		1	PSRZ	0	H0	R	
		0	PSRN	0	H0	R	
0x4020			Power Generator (PWG)				
Address	Register name	Bit	Bit name	Initial	Reset	R/W	Remarks
0x4020	PWGVD1CTL (PWG V _{D1} Regulator Control Register)	15–8	–	0x00	–	R	–
		7–2	–	0x00	–	R	
		1–0	REGMODE[1:0]	0x0	H0	R/WP	
0x4040–0x404e			Clock Generator (CLG)				
Address	Register name	Bit	Bit name	Initial	Reset	R/W	Remarks
0x4040	CLGSCLK (CLG System Clock Control Register)	15	WUPMD	0	H0	R/WP	–
		14	–	0	–	R	
		13–12	WUPDIV[1:0]	0x0	H0	R/WP	
		11–10	–	0x0	–	R	
		9–8	WUPSRC[1:0]	0x0	H0	R/WP	
		7–6	–	0x0	–	R	
		5–4	CLKDIV[1:0]	0x0	H0	R/WP	
		3–2	–	0x0	–	R	
0x4042	CLGOSC (CLG Oscillation Control Register)	15–12	–	0x0	–	R	–
		11	EXOSCSLPC	1	H0	R/W	
		10	–	1	–	R	
		9	OSC1SLPC	1	H0	R/W	
		8	IOSCSLPC	1	H0	R/W	
		7–4	–	0x0	–	R	
		3	EXOSCEN	0	H0	R/W	
		2	–	0	–	R	
		1	OSC1EN	0	H0	R/W	
0	IOSCEN	1	H0	R/W			

APPENDIX A LIST OF PERIPHERAL CIRCUIT CONTROL REGISTERS

Address	Register name	Bit	Bit name	Initial	Reset	R/W	Remarks	
0x4044	CLGIOSC (CLG IOSC Control Register)	15–8	–	0x00	–	R	–	
		7–5	–	0x0	–	R		
		4	IOSCSTM	0	H0	R/WP		
		3–0	–	0x0	–	R		
0x4046	CLGOSC1 (CLG OSC1 Control Register)	15	–	0	–	R	–	
		14	OSDRB	0	H0	R/WP		
		13	OSDEN	0	H0	R/WP		
		12	OSC1BUP	0	H0	R/WP		
		11	–	0	–	R		
		10–8	CGI1[2:0]	0x0	H0	R/WP		
		7–6	INV1B[1:0]	0x3	H0	R/WP		
		5–4	INV1N[1:0]	0x1	H0	R/WP		
		3–2	–	0x0	–	R		
1–0	OSC1WT[1:0]	0x2	H0	R/WP				
0x404a	CLGINTF (CLG Interrupt Flag Register)	15–8	–	0x00	–	R	–	
		7–6	–	0x0	–	R		
		5	OSC1STPIF	0	H0	R/W		Cleared by writing 1.
		4	IOSCTEDIF	0	H0	R/W		
		3–2	–	0x0	–	R		–
		1	OSC1STAIF	0	H0	R/W		
0	IOSCSTAIF	0	H0	R/W				
0x404c	CLGINTE (CLG Interrupt Enable Register)	15–8	–	0x00	–	R	–	
		7–6	–	0x0	–	R		
		5	OSC1STPIE	0	H0	R/W		
		4	IOSCTEDIE	0	H0	R/W		
		3–2	–	0x0	–	R		
		1	OSC1STAIE	0	H0	R/W		
0	IOSCSTAIE	0	H0	R/W				
0x404e	CLGFOUT (CLG FOUT Control Register)	15–8	–	0x00	–	R	–	
		7	–	0	–	R		
		6–4	FOUTDIV[2:0]	0x0	H0	R/W		
		3–2	FOUTSRC[1:0]	0x0	H0	R/W		
		1	–	0	–	R		
		0	FOUTEN	0	H0	R/W		

0x4080–0x408e

Interrupt Controller (ITC)

Address	Register name	Bit	Bit name	Initial	Reset	R/W	Remarks
0x4080	ITCLV0 (ITC Interrupt Level Setup Register 0)	15–11	–	0x00	–	R	–
		10–8	ILV1[2:0]	0x0	H0	R/W	Port interrupt (ILVPPORT)
		7–3	–	0x00	–	R	–
		2–0	ILV0[2:0]	0x0	H0	R/W	Supply voltage detector interrupt (ILVSVD)
0x4082	ITCLV1 (ITC Interrupt Level Setup Register 1)	15–11	–	0x00	–	R	–
		10–8	ILV3[2:0]	0x0	H0	R/W	Real-time clock interrupt (ILVRTCA_0)
		7–3	–	0x00	–	R	–
		2–0	ILV2[2:0]	0x0	H0	R/W	Clock generator interrupt (ILVCLG)
0x4084	ITCLV2 (ITC Interrupt Level Setup Register 2)	15–11	–	0x00	–	R	–
		10–8	ILV5[2:0]	0x0	H0	R/W	UART interrupt (ILVUART_0)
		7–3	–	0x00	–	R	–
		2–0	ILV4[2:0]	0x0	H0	R/W	16-bit timer Ch.0 interrupt (ILVT16_0)

APPENDIX A LIST OF PERIPHERAL CIRCUIT CONTROL REGISTERS

Address	Register name	Bit	Bit name	Initial	Reset	R/W	Remarks
0x4086	ITCLV3 (ITC Interrupt Level Setup Register 3)	15–11	–	0x00	–	R	–
		10–8	ILV7[2:0]	0x0	H0	R/W	Synchronous serial interface Ch.0 interrupt (ILVSPIA_0)
		7–3	–	0x00	–	R	–
		2–0	ILV6[2:0]	0x0	H0	R/W	16-bit timer Ch.1 interrupt (ILVT16_1)
0x4088	ITCLV4 (ITC Interrupt Level Setup Register 4)	15–11	–	0x00	–	R	–
		10–8	ILV9[2:0]	0x0	H0	R/W	16-bit timer Ch.2 interrupt (ILVT16_2)
		7–3	–	0x00	–	R	–
		2–0	ILV8[2:0]	0x0	H0	R/W	I ² C interrupt (ILVI2C_0)
0x408a	ITCLV5 (ITC Interrupt Level Setup Register 5)	15–11	–	0x00	–	R	–
		10–8	ILV11[2:0]	0x0	H0	R/W	16-bit timer Ch.4 interrupt (ILVT16_4)
		7–3	–	0x00	–	R	–
		2–0	ILV10[2:0]	0x0	H0	R/W	16-bit timer Ch.3 interrupt (ILVT16_3)
0x408c	ITCLV6 (ITC Interrupt Level Setup Register 6)	15–11	–	0x00	–	R	–
		10–8	ILV13[2:0]	0x0	H0	R/W	LCD driver interrupt (ILVLC8A)
		7–3	–	0x00	–	R	–
		2–0	ILV12[2:0]	0x0	H0	R/W	Synchronous serial interface Ch.1 interrupt (ILVSPIA_1)
0x408e	ITCLV7 (ITC Interrupt Level Setup Register 7)	15–11	–	0x00	–	R	–
		10–8	ILV15[2:0]	0x0	H0	R/W	MR sensor controller interrupt (ILVAMRC)
		7–3	–	0x00	–	R	–
		2–0	ILV14[2:0]	0x0	H0	R/W	R/F converter interrupt (ILVRFC_0)

0x40a0–0x40a2

Watchdog Timer (WDT)

Address	Register name	Bit	Bit name	Initial	Reset	R/W	Remarks	
0x40a0	WDTCLK (WDT Clock Control Register)	15–9	–	0x00	–	R	–	
		8	DBRUN	0	H0	R/WP		
		7–6	–	0x0	–	R		
		5–4	CLKDIV[1:0]	0x0	H0	R/WP		
		3–2	–	0x0	–	R		
0x40a2	WDTCTL (WDT Control Register)	15–8	–	0x00	–	R	–	
		7–5	–	0x0	–	R		
		4	WDTCTRST	0	H0	WP		Always read as 0.
		3–0	WDTRUN[3:0]	0xa	H0	R/WP		

APPENDIX A LIST OF PERIPHERAL CIRCUIT CONTROL REGISTERS

0x40c0–0x40d2		Real-time Clock (RTCA)						
Address	Register name	Bit	Bit name	Initial	Reset	R/W	Remarks	
0x40c0	RTCCTL (RTC Control Register)	15	RTCTRMBSY	0	H0	R	–	
		14–8	RTCTRM[6:0]	0x00	H0	W	Read as 0x00.	
		7	–	0	–	R	–	
		6	RTCBSY	0	H0	R	–	
		5	RTCHLD	0	H0	R/W	Cleared by setting the RTCCTL.RTCRST bit to 1.	
		4	RTC24H	0	H0	R/W	–	
		3	–	0	–	R	–	
		2	RTCADJ	0	H0	R/W	Cleared by setting the RTCCTL.RTCRST bit to 1.	
		1	RTCST	0	H0	R/W	–	
0	RTCSTUN	0	H0	R/W	–			
0x40c2	RTCALM1 (RTC Second Alarm Register)	15	–	0	–	R	–	
		14–12	RTCSHA[2:0]	0x0	H0	R/W	–	
		11–8	RTCSLA[3:0]	0x0	H0	R/W	–	
		7–0	–	0x00	–	R	–	
0x40c4	RTCALM2 (RTC Hour/Minute Alarm Register)	15	–	0	–	R	–	
		14	RTCAPA	0	H0	R/W	–	
		13–12	RTCHHA[1:0]	0x0	H0	R/W	–	
		11–8	RTCHLA[3:0]	0x0	H0	R/W	–	
		7	–	0	–	R	–	
		6–4	RTCMIHA[2:0]	0x0	H0	R/W	–	
3–0	RTCMILA[3:0]	0x0	H0	R/W	–			
0x40c6	RTCSWCTL (RTC Stopwatch Control Register)	15–12	BCD10[3:0]	0x0	H0	R	–	
		11–8	BCD100[3:0]	0x0	H0	R	–	
		7–5	–	0x0	–	R	–	
		4	SWRST	0	H0	W	Read as 0.	
		3–1	–	0x0	–	R	–	
0	SWRUN	0	H0	R/W	–			
0x40c8	RTCSEC (RTC Second/1Hz Register)	15	–	0	–	R	–	
		14–12	RTCSH[2:0]	0x0	H0	R/W	–	
		11–8	RTCSL[3:0]	0x0	H0	R/W	–	
		7	RTC1HZ	0	H0	R	Cleared by setting the RTCCTL.RTCRST bit to 1.	
		6	RTC2HZ	0	H0	R		
		5	RTC4HZ	0	H0	R		
		4	RTC8HZ	0	H0	R		
		3	RTC16HZ	0	H0	R		
		2	RTC32HZ	0	H0	R		
		1	RTC64HZ	0	H0	R		
0	RTC128HZ	0	H0	R				
0x40ca	RTCHUR (RTC Hour/Minute Register)	15	–	0	–	R		–
		14	RTCAP	0	H0	R/W		–
		13–12	RTCHH[1:0]	0x1	H0	R/W	–	
		11–8	RTCHL[3:0]	0x2	H0	R/W	–	
		7	–	0	–	R	–	
		6–4	RTCMIH[2:0]	0x0	H0	R/W	–	
		3–0	RTCMIL[3:0]	0x0	H0	R/W	–	
0x40cc	RTCMON (RTC Month/Day Register)	15–13	–	0x0	–	R	–	
		12	RTCMOH	0	H0	R/W	–	
		11–8	RTCMOL[3:0]	0x1	H0	R/W	–	
		7–6	–	0x0	–	R	–	
		5–4	RTCDH[1:0]	0x0	H0	R/W	–	
3–0	RTCDL[3:0]	0x1	H0	R/W	–			

APPENDIX A LIST OF PERIPHERAL CIRCUIT CONTROL REGISTERS

Address	Register name	Bit	Bit name	Initial	Reset	R/W	Remarks
0x40ce	RTCYAR (RTC Year/Week Register)	15–11	–	0x00	–	R	–
		10–8	RTCWK[2:0]	0x0	H0	R/W	
		7–4	RTCYH[3:0]	0x0	H0	R/W	
		3–0	RTCYL[3:0]	0x0	H0	R/W	
0x40d0	RTCINTF (RTC Interrupt Flag Register)	15	RTCTRMIF	0	H0	R/W	Cleared by writing 1.
		14	SW1IF	0	H0	R/W	
		13	SW10IF	0	H0	R/W	
		12	SW100IF	0	H0	R/W	
		11–9	–	0x0	–	R	–
		8	ALARMIF	0	H0	R/W	
		7	1DAYIF	0	H0	R/W	
		6	1HURIF	0	H0	R/W	
		5	1MINIF	0	H0	R/W	
		4	1SECIF	0	H0	R/W	
		3	1_2SECIF	0	H0	R/W	
		2	1_4SECIF	0	H0	R/W	
		1	1_8SECIF	0	H0	R/W	
0	1_32SECIF	0	H0	R/W			
0x40d2	RTCINTE (RTC Interrupt Enable Register)	15	RTCTRMIE	0	H0	R/W	–
		14	SW1IE	0	H0	R/W	
		13	SW10IE	0	H0	R/W	
		12	SW100IE	0	H0	R/W	
		11–9	–	0x0	–	R	
		8	ALARMIE	0	H0	R/W	
		7	1DAYIE	0	H0	R/W	
		6	1HURIE	0	H0	R/W	
		5	1MINIE	0	H0	R/W	
		4	1SECIE	0	H0	R/W	
		3	1_2SECIE	0	H0	R/W	
		2	1_4SECIE	0	H0	R/W	
		1	1_8SECIE	0	H0	R/W	
0	1_32SECIE	0	H0	R/W			

0x4100–0x4106

Supply Voltage Detector (SVD)

Address	Register name	Bit	Bit name	Initial	Reset	R/W	Remarks
0x4100	SVDCLK (SVD Clock Control Register)	15–9	–	0x00	–	R	–
		8	DBRUN	1	H0	R/WP	
		7	–	0	–	R	
		6–4	CLKDIV[2:0]	0x0	H0	R/WP	
		3–2	–	0x0	–	R	
		1–0	CLKSRC[1:0]	0x0	H0	R/WP	
0x4102	SVDCTL (SVD Control Register)	15	VDSEL	0	H1	R/WP	–
		14–13	SVDSC[1:0]	0x0	H0	R/WP	
		12–8	SVDC[4:0]	0x00	H1	R/WP	
		7–4	SVDRE[3:0]	0x0	H1	R/WP	
		3	–	0	–	R	
		2–1	SVDMD[1:0]	0x0	H0	R/WP	
		0	MODEN	0	H1	R/WP	
0x4104	SVDINTF (SVD Status and Interrupt Flag Register)	15–9	–	0x00	–	R	–
		8	SVDDT	x	–	R	
		7–1	–	0x00	–	R	
		0	SVDIF	0	H1	R/W	
0x4106	SVDINTE (SVD Interrupt Enable Register)	15–8	–	0x00	–	R	–
		7–1	–	0x00	–	R	
		0	SVDIE	0	H0	R/W	

APPENDIX A LIST OF PERIPHERAL CIRCUIT CONTROL REGISTERS

0x4160–0x416c

16-bit Timer (T16) Ch.0

Address	Register name	Bit	Bit name	Initial	Reset	R/W	Remarks
0x4160	T16_0CLK (T16 Ch.0 Clock Control Register)	15–9	–	0x00	–	R	–
		8	DBRUN	0	H0	R/W	
		7–4	CLKDIV[3:0]	0x0	H0	R/W	
		3–2	–	0x0	–	R	
		1–0	CLKSRC[1:0]	0x0	H0	R/W	
0x4162	T16_0MOD (T16 Ch.0 Mode Register)	15–8	–	0x00	–	R	–
		7–1	–	0x00	–	R	
		0	TRMD	0	H0	R/W	
0x4164	T16_0CTL (T16 Ch.0 Control Register)	15–9	–	0x00	–	R	–
		8	PRUN	0	H0	R/W	
		7–2	–	0x00	–	R	
		1	PRESET	0	H0	R/W	
		0	MODEN	0	H0	R/W	
0x4166	T16_OTR (T16 Ch.0 Reload Data Register)	15–0	TR[15:0]	0xffff	H0	R/W	–
0x4168	T16_OTC (T16 Ch.0 Counter Data Register)	15–0	TC[15:0]	0xffff	H0	R	–
0x416a	T16_OINTF (T16 Ch.0 Interrupt Flag Register)	15–8	–	0x00	–	R	–
		7–1	–	0x00	–	R	
		0	UFIF	0	H0	R/W	
0x416c	T16_OINTE (T16 Ch.0 Interrupt Enable Register)	15–8	–	0x00	–	R	–
		7–1	–	0x00	–	R	
		0	UFIE	0	H0	R/W	

0x41b0

Flash Controller (FLASHC)

Address	Register name	Bit	Bit name	Initial	Reset	R/W	Remarks
0x41b0	FLASHCWAIT (FLASHC Flash Read Cycle Register)	15–8	–	0x00	–	R	–
		7	XBUSY	0	H0	R	
		6–2	–	0x00	–	R	
		1–0	RDWAIT[1:0]	0x0	H0	R/WP	

0x4200–0x42e2

I/O Ports (PPORT)

Address	Register name	Bit	Bit name	Initial	Reset	R/W	Remarks
0x4200	PODAT (P0 Port Data Register)	15–8	P0OUT[7:0]	0x00	H0	R/W	–
		7–0	P0IN[7:0]	0x00	H0	R	
0x4202	POIOEN (P0 Port Enable Register)	15–8	P0IEN[7:0]	0x00	H0	R/W	–
		7–0	P0OEN[7:0]	0x00	H0	R/W	
0x4204	PORCTL (P0 Port Pull-up/down Control Register)	15–8	P0PDU[7:0]	0x00	H0	R/W	–
		7–0	P0REN[7:0]	0x00	H0	R/W	
0x4206	POINTF (P0 Port Interrupt Flag Register)	15–8	–	0x00	–	R	–
		7–0	P0IF[7:0]	0x00	H0	R/W	
0x4208	POINTCTL (P0 Port Interrupt Control Register)	15–8	P0EDGE[7:0]	0x00	H0	R/W	–
		7–0	P0IE[7:0]	0x00	H0	R/W	
0x420a	POCHATEN (P0 Port Chattering Filter Enable Register)	15–8	–	0x00	–	R	–
		7–0	POCHATEN[7:0]	0x00	H0	R/W	

APPENDIX A LIST OF PERIPHERAL CIRCUIT CONTROL REGISTERS

Address	Register name	Bit	Bit name	Initial	Reset	R/W	Remarks
0x420c	P0MODESEL (P0 Port Mode Select Register)	15-8	-	0x00	-	R	-
		7-0	P0SEL[7:0]	0x00	H0	R/W	
0x420e	P0FNCSSEL (P0 Port Function Select Register)	15-14	P07MUX[1:0]	0x0	H0	R/W	-
		13-12	P06MUX[1:0]	0x0	H0	R/W	
		11-10	P05MUX[1:0]	0x0	H0	R/W	
		9-8	P04MUX[1:0]	0x0	H0	R/W	
		7-6	P03MUX[1:0]	0x0	H0	R/W	
		5-4	P02MUX[1:0]	0x0	H0	R/W	
		3-2	P01MUX[1:0]	0x0	H0	R/W	
1-0	P00MUX[1:0]	0x0	H0	R/W			
0x4210	P1DAT (P1 Port Data Register)	15-12	P1OUT[7:4]	0x0	H0	R/W	-
		11-8	-	0x0	-	R	
		7-4	P1IN[7:4]	0x0	H0	R	
		3-0	-	0x0	-	R	
0x4212	P1IOEN (P1 Port Enable Register)	15-12	P1IEN[7:4]	0x0	H0	R/W	-
		11-8	-	0x0	-	R	
		7-4	P1OEN[7:4]	0x0	H0	R/W	
		3-0	-	0x0	-	R	
0x4214	P1RCTL (P1 Port Pull-up/down Control Register)	15-12	P1PDPU[7:4]	0x0	H0	R/W	-
		11-8	-	0x0	-	R	
		7-4	P1REN[7:4]	0x0	H0	R/W	
		3-0	-	0x0	-	R	
0x421c	P1MODESEL (P1 Port Mode Select Register)	15-8	-	0x00	-	R	-
		7-0	P1SEL[7:0]	0x00	H0	R/W	
0x421e	P1FNCSSEL (P1 Port Function Select Register)	15-14	P17MUX[1:0]	0x0	H0	R/W	-
		13-12	P16MUX[1:0]	0x0	H0	R/W	
		11-10	P15MUX[1:0]	0x0	H0	R/W	
		9-8	P14MUX[1:0]	0x0	H0	R/W	
		7-6	P13MUX[1:0]	0x0	H0	R/W	
		5-4	P12MUX[1:0]	0x0	H0	R/W	
		3-2	P11MUX[1:0]	0x0	H0	R/W	
1-0	P10MUX[1:0]	0x0	H0	R/W			
0x4220	P2DAT (P2 Port Data Register)	15-10	-	0x00	-	R	-
		9-8	P2OUT[1:0]	0x0	H0	R/W	
		7-2	-	0x00	-	R	
		1-0	P2IN[1:0]	0x0	H0	R	
0x4222	P2IOEN (P2 Port Enable Register)	15-10	-	0x00	-	R	-
		9-8	P2IEN[1:0]	0x0	H0	R/W	
		7-2	-	0x00	-	R	
		1-0	P2OEN[1:0]	0x0	H0	R/W	
0x4224	P2RCTL (P2 Port Pull-up/down Control Register)	15-10	-	0x00	-	R	-
		9-8	P2PDPU[1:0]	0x0	H0	R/W	
		7-2	-	0x00	-	R	
		1-0	P2REN[1:0]	0x0	H0	R/W	
0x422c	P2MODESEL (P2 Port Mode Select Register)	15-8	-	0x00	-	R	-
		7-0	P2SEL[7:0]	0x00	H0	R/W	
0x422e	P2FNCSSEL (P2 Port Function Select Register)	15-14	P27MUX[1:0]	0x3	H0	R	-
		13-12	P26MUX[1:0]	0x3	H0	R	
		11-10	P25MUX[1:0]	0x3	H0	R	
		9-8	P24MUX[1:0]	0x3	H0	R	
		7-6	P23MUX[1:0]	0x3	H0	R	
		5-4	P22MUX[1:0]	0x3	H0	R	
		3-2	P21MUX[1:0]	0x0	H0	R/W	
1-0	P20MUX[1:0]	0x0	H0	R/W			

APPENDIX A LIST OF PERIPHERAL CIRCUIT CONTROL REGISTERS

Address	Register name	Bit	Bit name	Initial	Reset	R/W	Remarks
0x423a	P3CHATEN (P3 Port Chattering Filter Enable Register)	15–8	–	0x00	–	R	–
		7–2	–	0x00	–	R	
		1–0	P3CHATEN[1:0]	0x0	H0	R/W	
0x423c	P3MODESEL (P3 Port Mode Select Register)	15–8	–	0x00	–	R	–
		7–0	P3SEL[7:0]	0x00	H0	R/W	
0x423e	P3FNCSEL (P3 Port Function Select Register)	15–14	P37MUX[1:0]	0x3	H0	R	–
		13–12	P36MUX[1:0]	0x0	H0	R/W	
		11–10	P35MUX[1:0]	0x0	H0	R/W	
		9–8	P34MUX[1:0]	0x0	H0	R/W	
		7–6	P33MUX[1:0]	0x0	H0	R/W	
		5–4	P32MUX[1:0]	0x0	H0	R/W	
		3–2	P31MUX[1:0]	0x0	H0	R/W	
		1–0	P30MUX[1:0]	0x0	H0	R/W	
0x424c	P4MODESEL (P4 Port Mode Select Register)	15–8	–	0x00	–	R	–
		7–0	P4SEL[7:0]	0x00	H0	R/W	
0x424e	P4FNCSEL (P4 Port Function Select Register)	15–14	P47MUX[1:0]	0x3	H0	R	–
		13–12	P46MUX[1:0]	0x3	H0	R	
		11–10	P45MUX[1:0]	0x3	H0	R	
		9–8	P44MUX[1:0]	0x3	H0	R	
		7–6	P43MUX[1:0]	0x3	H0	R	
		5–4	P42MUX[1:0]	0x3	H0	R	
		3–2	P41MUX[1:0]	0x3	H0	R	
		1–0	P40MUX[1:0]	0x3	H0	R	
0x4250	P5DAT (P5 Port Data Register)	15–14	P5OUT[7:6]	0x0	H0	R/W	–
		13–8	–	0x00	–	R	
		7–6	P5IN[7:6]	x	H0	R	
		5–0	–	0x00	–	R	
0x4252	P5IOEN (P5 Port Enable Register)	15–14	P5IEN[7:6]	0x0	H0	R/W	–
		13–8	–	0x00	–	R	
		7–6	P5OEN[7:6]	0x0	H0	R/W	
		5–0	–	0x00	–	R	
0x4254	P5RCTL (P5 Port Pull-up/ down Control Regis- ter)	15–14	P5PDPUP[7:6]	0x0	H0	R/W	–
		13–8	–	0x00	–	R	
		7–6	P5REN[7:6]	0x0	H0	R/W	
		5–0	–	0x00	–	R	
0x4256	P5INTF (P5 Port Interrupt Flag Register)	15–8	–	0x00	–	R	–
		7–6	P5IF[7:6]	0x0	H0	R/W	
		5–0	–	0x00	–	R	
0x4258	P5INTCTL (P5 Port Interrupt Control Register)	15–14	P5EDGE[7:6]	0x0	H0	R/W	–
		13–8	–	0x00	–	R	
		7–6	P5IE[7:6]	0x0	H0	R/W	
		5–0	–	0x00	–	R	
0x425a	P5CHATEN (P5 Port Chattering Filter Enable Register)	15–8	–	0x00	–	R	–
		7–6	P5CHATEN[7:6]	0x0	H0	R/W	
		5–0	–	0x00	–	R	
0x425c	P5MODESEL (P5 Port Mode Select Register)	15–8	–	0x00	–	R	–
		7–0	P5SEL[7:0]	0x00	H0	R/W	

APPENDIX A LIST OF PERIPHERAL CIRCUIT CONTROL REGISTERS

Address	Register name	Bit	Bit name	Initial	Reset	R/W	Remarks
0x425e	P5FNCSEL (P5 Port Function Select Register)	15-14	P57MUX[1:0]	0x2	H0	R	-
		13-12	P56MUX[1:0]	0x2	H0	R	
		11-10	P55MUX[1:0]	0x3	H0	R	
		9-8	P54MUX[1:0]	0x3	H0	R	
		7-6	P53MUX[1:0]	0x3	H0	R	
		5-4	P52MUX[1:0]	0x3	H0	R	
		3-2	P51MUX[1:0]	0x3	H0	R	
		1-0	P50MUX[1:0]	0x3	H0	R	
0x42d0	PDDAT (Pd Port Data Register)	15-11	-	0x00	-	R	-
		10-8	PDOOUT[2:0]	0x0	H0	R/W	
		7-2	-	0x00	-	R	
		1-0	PDIN[1:0]	x	H0	R	
0x42d2	PDIOEN (Pd Port Enable Register)	15-11	-	0x00	-	R	-
		10	reserved	0	H0	R/W	
		9-8	PDIEN[1:0]	0x0	H0	R/W	
		7-3	-	0x00	-	R	
		2-0	PDOEN[2:0]	0x0	H0	R/W	
0x42d4	PDRCTL (Pd Port Pull-up/down Control Register)	15-11	-	0x00	-	R	-
		10	reserved	0	H0	R/W	
		9-8	PDPDPU[1:0]	0x0	H0	R/W	
		7-3	-	0x00	-	R	
		2	reserved	0	H0	R/W	
		1-0	PDREN[1:0]	0x0	H0	R/W	
0x42dc	PDMODSEL (Pd Port Mode Select Register)	15-8	-	0x00	-	R	-
		7-3	-	0x00	-	R	
		2-0	PDSEL[2:0]	0x7	H0	R/W	
0x42de	PDFNCSEL (Pd Port Function Select Register)	15-8	-	0x00	-	R	-
		7-6	-	0x0	-	R	
		5-4	PD2MUX[1:0]	0x0	H0	R/W	
		3-2	PD1MUX[1:0]	0x0	H0	R/W	
		1-0	PD0MUX[1:0]	0x0	H0	R/W	
0x42e0	PCLK (P Port Clock Control Register)	15-9	-	0x00	-	R	-
		8	DBRUN	0	H0	R/WP	
		7-4	CLKDIV[3:0]	0x0	H0	R/WP	
		3-2	-	0x0	-	R	
		1-0	CLKSRC[1:0]	0x0	H0	R/WP	
0x42e2	PINTFRP (P Port Interrupt Flag Group Register)	15-8	-	0x00	-	R	-
		7-6	-	0x0	-	R	
		5	P5INT	0	H0	R	
		4-1	-	0x0	-	R	
		0	P0INT	0	H0	R	

0x4380-0x438e

UART (UART)

Address	Register name	Bit	Bit name	Initial	Reset	R/W	Remarks
0x4380	UA0CLK (UART Ch.0 Clock Control Register)	15-9	-	0x00	-	R	-
		8	DBRUN	0	H0	R/W	
		7-6	-	0x0	-	R	
		5-4	CLKDIV[1:0]	0x0	H0	R/W	
		3-2	-	0x0	-	R	
		1-0	CLKSRC[1:0]	0x0	H0	R/W	

APPENDIX A LIST OF PERIPHERAL CIRCUIT CONTROL REGISTERS

Address	Register name	Bit	Bit name	Initial	Reset	R/W	Remarks	
0x4382	UA0MOD (UART Ch.0 Mode Register)	15-10	-	0x00	-	R		
		9	INVIRRX	0	H0	R/W		
		8	INVIRTX	0	H0	R/W		
		7	-	0	-	R		
		6	PUEN	0	H0	R/W		
		5	OUTMD	0	H0	R/W		
		4	IRMD	0	H0	R/W		
		3	CHLN	0	H0	R/W		
		2	PREN	0	H0	R/W		
0x4384	UA0BR (UART Ch.0 Baud-Rate Register)	15-12	-	0x0	-	R		
		11-8	FMD[3:0]	0x0	H0	R/W		
		7-0	BRT[7:0]	0x00	H0	R/W		
0x4386	UA0CTL (UART Ch.0 Control Register)	15-8	-	0x00	-	R		
		7-2	-	0x00	-	R		
		1	SFTRST	0	H0	R/W		
		0	MODEN	0	H0	R/W		
0x4388	UA0TXD (UART Ch.0 Transmit Data Register)	15-8	-	0x00	-	R		
		7-0	TXD[7:0]	0x00	H0	R/W		
0x438a	UA0RXD (UART Ch.0 Receive Data Register)	15-8	-	0x00	-	R		
		7-0	RXD[7:0]	0x00	H0	R		
0x438c	UA0INTF (UART Ch.0 Status and Interrupt Flag Register)	15-10	-	0x00	-	R		
		9	RBSY	0	H0/S0	R		
		8	TBSY	0	H0/S0	R		
		7	-	0	-	R		
		6	TENDIF	0	H0/S0	R/W		Cleared by writing 1.
		5	FEIF	0	H0/S0	R/W		Cleared by writing 1 or reading the UA0RXD register.
		4	PEIF	0	H0/S0	R/W		
		3	OEIF	0	H0/S0	R/W		Cleared by writing 1.
		2	RB2FIF	0	H0/S0	R		Cleared by reading the UA0RXD register.
0x438e	UA0INTE (UART Ch.0 Interrupt Enable Register)	15-8	-	0x00	-	R		
		7	-	0	-	R		
		6	TENDIE	0	H0	R/W		
		5	FEIE	0	H0	R/W		
		4	PEIE	0	H0	R/W		
		3	OEIE	0	H0	R/W		
		2	RB2FIE	0	H0	R/W		
		1	RB1FIE	0	H0	R/W		
0	TBEIE	0	H0	R/W				

0x43a0-0x43ac

16-bit Timer (T16) Ch.1

Address	Register name	Bit	Bit name	Initial	Reset	R/W	Remarks
0x43a0	T16_1CLK (T16 Ch.1 Clock Control Register)	15-9	-	0x00	-	R	
		8	DBRUN	0	H0	R/W	
		7-4	CLKDIV[3:0]	0x0	H0	R/W	
		3-2	-	0x0	-	R	
		1-0	CLKSRC[1:0]	0x0	H0	R/W	
0x43a2	T16_1MOD (T16 Ch.1 Mode Register)	15-8	-	0x00	-	R	
		7-1	-	0x00	-	R	
		0	TRMD	0	H0	R/W	

APPENDIX A LIST OF PERIPHERAL CIRCUIT CONTROL REGISTERS

Address	Register name	Bit	Bit name	Initial	Reset	R/W	Remarks
0x43a4	T16_1CTL (T16 Ch.1 Control Register)	15-9	-	0x00	-	R	-
		8	PRUN	0	H0	R/W	
		7-2	-	0x00	-	R	
		1	PRESET	0	H0	R/W	
		0	MODEN	0	H0	R/W	
0x43a6	T16_1TR (T16 Ch.1 Reload Data Register)	15-0	TR[15:0]	0xffff	H0	R/W	-
0x43a8	T16_1TC (T16 Ch.1 Counter Data Register)	15-0	TC[15:0]	0xffff	H0	R	-
0x43aa	T16_1INTF (T16 Ch.1 Interrupt Flag Register)	15-8	-	0x00	-	R	-
		7-1	-	0x00	-	R	
		0	UFIF	0	H0	R/W	
0x43ac	T16_1INTE (T16 Ch.1 Interrupt Enable Register)	15-8	-	0x00	-	R	-
		7-1	-	0x00	-	R	
		0	UFIE	0	H0	R/W	

0x43b0-0x43ba

Synchronous Serial Interface (SPIA) Ch.0

Address	Register name	Bit	Bit name	Initial	Reset	R/W	Remarks	
0x43b0	SPIOMOD (SPIA Ch.0 Mode Register)	15-12	-	0x0	-	R	-	
		11-8	CHLN[3:0]	0x7	H0	R/W		
		7-6	-	0x0	-	R		
		5	PUEN	0	H0	R/W		
		4	NOCLKDIV	0	H0	R/W		
		3	LSBFST	0	H0	R/W		
		2	CPHA	0	H0	R/W		
		1	CPOL	0	H0	R/W		
0x43b2	SPIOCTL (SPIA Ch.0 Control Register)	15-8	-	0x00	-	R	-	
		7-2	-	0x00	-	R		
		1	SFTRST	0	H0	R/W		
		0	MODEN	0	H0	R/W		
0x43b4	SPIOTXD (SPIA Ch.0 Transmit Data Register)	15-0	TXD[15:0]	0x0000	H0	R/W	-	
0x43b6	SPIORXD (SPIA Ch.0 Receive Data Register)	15-0	RXD[15:0]	0x0000	H0	R	-	
0x43b8	SPIOINTF (SPIA Ch.0 Interrupt Flag Register)	15-8	-	0x00	-	R	-	
		7	BSY	0	H0	R		
		6-4	-	0x0	-	R		
		3	OEIF	0	H0/S0	R/W		Cleared by writing 1.
		2	TENDIF	0	H0/S0	R/W		
		1	RBFIF	0	H0/S0	R		Cleared by reading the SPIORXD register.
0	TBEIF	1	H0/S0	R	Cleared by writing to the SPIOTXD register.			
0x43ba	SPIOINTE (SPIA Ch.0 Interrupt Enable Register)	15-8	-	0x00	-	R	-	
		7-4	-	0x0	-	R		
		3	OEIE	0	H0	R/W		
		2	TENDIE	0	H0	R/W		
		1	RBFIE	0	H0	R/W		
		0	TBEIE	0	H0	R/W		

APPENDIX A LIST OF PERIPHERAL CIRCUIT CONTROL REGISTERS

0x43c0–0x43d2		I ² C (I2C)						
Address	Register name	Bit	Bit name	Initial	Reset	R/W	Remarks	
0x43c0	I2C0CLK (I2C Ch.0 Clock Control Register)	15–9	–	0x00	–	R	–	
		8	DBRUN	0	H0	R/W		
		7–6	–	0x0	–	R		
		5–4	CLKDIV[1:0]	0x0	H0	R/W		
		3–2	–	0x0	–	R		
		1–0	CLKSRC[1:0]	0x0	H0	R/W		
0x43c2	I2C0MOD (I2C Ch.0 Mode Register)	15–8	–	0x00	–	R	–	
		7–3	–	0x00	–	R		
		2	OADR10	0	H0	R/W		
		1	GCEN	0	H0	R/W		
		0	–	0	–	R		
0x43c4	I2C0BR (I2C Ch.0 Baud-Rate Register)	15–8	–	0x00	–	R	–	
		7	–	0	–	R		
		6–0	BRT[6:0]	0x7f	H0	R/W		
0x43c8	I2C0OADR (I2C Ch.0 Own Address Register)	15–10	–	0x00	–	R	–	
		9–0	OADR[9:0]	0x000	H0	R/W		
0x43ca	I2C0CTL (I2C Ch.0 Control Register)	15–8	–	0x00	–	R	–	
		7–6	–	0x0	–	R		
		5	MST	0	H0	R/W		
		4	TXNACK	0	H0/S0	R/W		
		3	TXSTOP	0	H0/S0	R/W		
		2	TXSTART	0	H0/S0	R/W		
		1	SFTRST	0	H0	R/W		
0	MODEN	0	H0	R/W				
0x43cc	I2C0TXD (I2C Ch.0 Transmit Data Register)	15–8	–	0x00	–	R	–	
		7–0	TXD[7:0]	0x00	H0	R/W		
0x43ce	I2C0RXD (I2C Ch.0 Receive Data Register)	15–8	–	0x00	–	R	–	
		7–0	RXD[7:0]	0x00	H0	R		
0x43d0	I2C0INTF (I2C Ch.0 Status and Interrupt Flag Register)	15–13	–	0x0	–	R	–	
		12	SDALLOW	0	H0	R		
		11	SCLLOW	0	H0	R		
		10	BSY	0	H0/S0	R		
		9	TR	0	H0	R		
		8	–	0	–	R		
		7	BYTEENDIF	0	H0/S0	R/W		Cleared by writing 1.
		6	GCIF	0	H0/S0	R/W		
		5	NACKIF	0	H0/S0	R/W		
		4	STOPIF	0	H0/S0	R/W		
		3	STARTIF	0	H0/S0	R/W		
		2	ERRIF	0	H0/S0	R/W		
		1	RBFIF	0	H0/S0	R		Cleared by reading the I2C0RXD register.
0	TBEIF	0	H0/S0	R	Cleared by writing to the I2C0TXD register.			
0x43d2	I2C0INTE (I2C Ch.0 Interrupt Enable Register)	15–8	–	0x00	–	R	–	
		7	BYTEENDIE	0	H0	R/W		
		6	GCIE	0	H0	R/W		
		5	NACKIE	0	H0	R/W		
		4	STOPIE	0	H0	R/W		
		3	STARTIE	0	H0	R/W		
		2	ERRIE	0	H0	R/W		
		1	RBFIE	0	H0	R/W		
0	TBEIE	0	H0	R/W				

0x5100–0x510c**16-bit Timer (T16) Ch.2**

Address	Register name	Bit	Bit name	Initial	Reset	R/W	Remarks
0x5100	T16_2CLK (T16 Ch.2 Clock Control Register)	15–9	–	0x00	–	R	–
		8	DBRUN	0	H0	R/W	
		7–4	CLKDIV[3:0]	0x0	H0	R/W	
		3–2	–	0x0	–	R	
		1–0	CLKSRC[1:0]	0x0	H0	R/W	
0x5102	T16_2MOD (T16 Ch.2 Mode Register)	15–8	–	0x00	–	R	–
		7–1	–	0x00	–	R	
		0	TRMD	0	H0	R/W	
0x5104	T16_2CTL (T16 Ch.2 Control Register)	15–9	–	0x00	–	R	–
		8	PRUN	0	H0	R/W	
		7–2	–	0x00	–	R	
		1	PRESET	0	H0	R/W	
		0	MODEN	0	H0	R/W	
0x5106	T16_2TR (T16 Ch.2 Reload Data Register)	15–0	TR[15:0]	0xffff	H0	R/W	–
0x5108	T16_2TC (T16 Ch.2 Counter Data Register)	15–0	TC[15:0]	0xffff	H0	R	–
0x510a	T16_2INTF (T16 Ch.2 Interrupt Flag Register)	15–8	–	0x00	–	R	–
		7–1	–	0x00	–	R	
		0	UFIF	0	H0	R/W	
0x510c	T16_2INTE (T16 Ch.2 Interrupt Enable Register)	15–8	–	0x00	–	R	–
		7–1	–	0x00	–	R	
		0	UFIE	0	H0	R/W	

0x5120–0x512c**16-bit Timer (T16) Ch.3**

Address	Register name	Bit	Bit name	Initial	Reset	R/W	Remarks
0x5120	T16_3CLK (T16 Ch.3 Clock Control Register)	15–9	–	0x00	–	R	–
		8	DBRUN	0	H0	R/W	
		7–4	CLKDIV[3:0]	0x0	H0	R/W	
		3–2	–	0x0	–	R	
		1–0	CLKSRC[1:0]	0x0	H0	R/W	
0x5122	T16_3MOD (T16 Ch.3 Mode Register)	15–8	–	0x00	–	R	–
		7–1	–	0x00	–	R	
		0	TRMD	0	H0	R/W	
0x5124	T16_3CTL (T16 Ch.3 Control Register)	15–9	–	0x00	–	R	–
		8	PRUN	0	H0	R/W	
		7–2	–	0x00	–	R	
		1	PRESET	0	H0	R/W	
		0	MODEN	0	H0	R/W	
0x5126	T16_3TR (T16 Ch.3 Reload Data Register)	15–0	TR[15:0]	0xffff	H0	R/W	–
0x5128	T16_3TC (T16 Ch.3 Counter Data Register)	15–0	TC[15:0]	0xffff	H0	R	–
0x512a	T16_3INTF (T16 Ch.3 Interrupt Flag Register)	15–8	–	0x00	–	R	–
		7–1	–	0x00	–	R	
		0	UFIF	0	H0	R/W	
0x512c	T16_3INTE (T16 Ch.3 Interrupt Enable Register)	15–8	–	0x00	–	R	–
		7–1	–	0x00	–	R	
		0	UFIE	0	H0	R/W	

APPENDIX A LIST OF PERIPHERAL CIRCUIT CONTROL REGISTERS

0x5260–0x526c

16-bit Timer (T16) Ch.4

Address	Register name	Bit	Bit name	Initial	Reset	R/W	Remarks
0x5260	T16_4CLK (T16 Ch.4 Clock Control Register)	15–9	–	0x00	–	R	–
		8	DBRUN	0	H0	R/W	
		7–4	CLKDIV[3:0]	0x0	H0	R/W	
		3–2	–	0x0	–	R	
		1–0	CLKSRC[1:0]	0x0	H0	R/W	
0x5262	T16_4MOD (T16 Ch.4 Mode Register)	15–8	–	0x00	–	R	–
		7–1	–	0x00	–	R	
		0	TRMD	0	H0	R/W	
0x5264	T16_4CTL (T16 Ch.4 Control Register)	15–9	–	0x00	–	R	–
		8	PRUN	0	H0	R/W	
		7–2	–	0x00	–	R	
		1	PRESET	0	H0	R/W	
		0	MODEN	0	H0	R/W	
0x5266	T16_4TR (T16 Ch.4 Reload Data Register)	15–0	TR[15:0]	0xffff	H0	R/W	–
0x5268	T16_4TC (T16 Ch.4 Counter Data Register)	15–0	TC[15:0]	0xffff	H0	R	–
0x526a	T16_4INTF (T16 Ch.4 Interrupt Flag Register)	15–8	–	0x00	–	R	–
		7–1	–	0x00	–	R	
		0	UFIF	0	H0	R/W	
0x526c	T16_4INTE (T16 Ch.4 Interrupt Enable Register)	15–8	–	0x00	–	R	–
		7–1	–	0x00	–	R	
		0	UFIE	0	H0	R/W	

0x5270–0x527a

Synchronous Serial Interface (SPIA) Ch.1

Address	Register name	Bit	Bit name	Initial	Reset	R/W	Remarks
0x5270	SPI1MOD (SPIA Ch.1 Mode Register)	15–12	–	0x0	–	R	–
		11–8	CHLN[3:0]	0x7	H0	R/W	
		7–6	–	0x0	–	R	
		5	PUEN	0	H0	R/W	
		4	NOCLKDIV	0	H0	R/W	
		3	LSBFST	0	H0	R/W	
		2	CPHA	0	H0	R/W	
		1	CPOL	0	H0	R/W	
		0	MST	0	H0	R/W	
0x5272	SPI1CTL (SPIA Ch.1 Control Register)	15–8	–	0x00	–	R	–
		7–2	–	0x00	–	R	
		1	SFTRST	0	H0	R/W	
		0	MODEN	0	H0	R/W	
0x5274	SPI1TXD (SPIA Ch.1 Transmit Data Register)	15–0	TXD[15:0]	0x0000	H0	R/W	–
0x5276	SPI1RXD (SPIA Ch.1 Receive Data Register)	15–0	RXD[15:0]	0x0000	H0	R	–

APPENDIX A LIST OF PERIPHERAL CIRCUIT CONTROL REGISTERS

Address	Register name	Bit	Bit name	Initial	Reset	R/W	Remarks
0x5278	SPI1INTF (SPIA Ch.1 Interrupt Flag Register)	15-8	-	0x00	-	R	-
		7	BSY	0	H0	R	
		6-4	-	0x0	-	R	
		3	OEIF	0	H0/S0	R/W	Cleared by writing 1.
		2	TENDIF	0	H0/S0	R/W	
		1	RBFIF	0	H0/S0	R	Cleared by reading the SPI1RXD register.
0x527a	SPI1INTE (SPIA Ch.1 Interrupt Enable Register)	15-8	-	0x00	-	R	-
		7-4	-	0x0	-	R	
		3	OEIE	0	H0	R/W	
		2	TENDIE	0	H0	R/W	
		1	RBFIE	0	H0	R/W	
		0	TBEIE	0	H0	R/W	

0x5400-0x540c

LCD Driver (LCD8A)

Address	Register name	Bit	Bit name	Initial	Reset	R/W	Remarks
0x5400	LCD8CLK (LCD8A Clock Control Register)	15-9	-	0x00	-	R	-
		8	DBRUN	1	H0	R/W	
		7	-	0	-	R	
		6-4	CLKDIV[2:0]	0x0	H0	R/W	
		3-2	-	0x0	-	R	
		1-0	CLKSRC[1:0]	0x0	H0	R/W	
0x5402	LCD8CTL (LCD8A Control Register)	15-8	-	0x00	-	R	-
		7-1	-	0x00	-	R	
		0	MODEN	0	H0	R/W	
0x5404	LCD8TIM (LCD8A Timing Control Register)	15-14	-	0x0	-	R	-
		13-12	BSTC[1:0]	0x1	H0	R/W	
		11	-	0	-	R	
		10-8	NLINE[2:0]	0x0	H0	R/W	
		7-4	FRMCNT[3:0]	0x3	H0	R/W	
		3	-	0	-	R	
0x5406	LCD8PWR (LCD8A Power Control Register)	15-12	LC[3:0]	0x0	H0	R/W	-
		11-9	-	0x0	-	R	
		8	BSTEN	0	H0	R/W	
		7-3	-	0x00	-	R	
		2	HVLD	0	H0	R/W	
		1	VCSEL	0	H0	R/W	
0x5408	LCD8DSP (LCD8A Display Control Register)	15	COM7DEN	1	H0	R/W	-
		14	COM6DEN	1	H0	R/W	
		13	COM5DEN	1	H0	R/W	
		12	COM4DEN	1	H0	R/W	
		11	COM3DEN	1	H0	R/W	
		10	COM2DEN	1	H0	R/W	
		9	COM1DEN	1	H0	R/W	
		8	COMODEN	1	H0	R/W	
		7	-	0	-	R	
		6	SEGREV	1	H0	R/W	
		5	COMREV	1	H0	R/W	
		4	DSPREV	1	H0	R/W	
		3	-	0	-	R	
		2	DSPAR	0	H0	R/W	
1-0	DSPC[1:0]	0x0	H0	R/W			

APPENDIX A LIST OF PERIPHERAL CIRCUIT CONTROL REGISTERS

Address	Register name	Bit	Bit name	Initial	Reset	R/W	Remarks
0x540a	LCD8INTF (LCD8A Interrupt Flag Register)	15–8	–	0x00	–	R	–
		7–1	–	0x00	–	R	
		0	FRMIF	0	H0	R/W	Cleared by writing 1.
0x540c	LCD8INTE (LCD8A Interrupt Enable Register)	15–8	–	0x00	–	R	–
		7–1	–	0x00	–	R	
		0	FRMIE	0	H0	R/W	

0x5440–0x5450

R/F Converter (RFC)

Address	Register name	Bit	Bit name	Initial	Reset	R/W	Remarks	
0x5440	RFC0CLK (RFC Ch.0 Clock Control Register)	15–9	–	0x00	–	R	–	
		8	DBRUN	1	H0	R/W		
		7–6	–	0x0	–	R		
		5–4	CLKDIV[1:0]	0x0	H0	R/W		
		3–2	–	0x0	–	R		
		1–0	CLKSRC[1:0]	0x0	H0	R/W		
0x5442	RFC0CTL (RFC Ch.0 Control Register)	15–9	–	0x00	–	R	–	
		8	RFCLKMD	0	H0	R/W		
		7	CONEN	0	H0	R/W		
		6	EVTEN	0	H0	R/W		
		5–4	SMODE[1:0]	0x0	H0	R/W		
		3–1	–	0x0	–	R		
0	MODEN	0	H0	R/W				
0x5444	RFC0TRG (RFC Ch.0 Oscillation Trigger Register)	15–8	–	0x00	–	R	–	
		7–3	–	0x00	–	R		
		2	SSENB	0	H0	R/W		
		1	SSENA	0	H0	R/W		
		0	SREF	0	H0	R/W		
0x5446	RFC0MCL (RFC Ch.0 Measurement Counter Low Register)	15–0	MC[15:0]	0x0000	H0	R/W	–	
0x5448	RFC0MCH (RFC Ch.0 Measurement Counter High Register)	15–8	–	0x00	–	R	–	
		7–0	MC[23:16]	0x00	H0	R/W		
0x544a	RFC0TCL (RFC Ch.0 Time Base Counter Low Register)	15–0	TC[15:0]	0x0000	H0	R/W	–	
0x544c	RFC0TCH (RFC Ch.0 Time Base Counter High Register)	15–8	–	0x00	–	R	–	
		7–0	TC[23:16]	0x00	H0	R/W		
0x544e	RFC0INTF (RFC Ch.0 Interrupt Flag Register)	15–8	–	0x00	–	R	–	
		7–5	–	0x0	–	R		
		4	OVTCIF	0	H0	R/W		Cleared by writing 1.
		3	OVMCIF	0	H0	R/W		
		2	ESENBIF	0	H0	R/W		
		1	ESENAIF	0	H0	R/W		
0	EREFIF	0	H0	R/W				
0x5450	RFC0INTE (RFC Ch.0 Interrupt Enable Register)	15–8	–	0x00	–	R	–	
		7–5	–	0x0	–	R		
		4	OVTICIE	0	H0	R/W		
		3	OVMCIE	0	H0	R/W		
		2	ESENBIE	0	H0	R/W		
		1	ESENAIE	0	H0	R/W		
		0	EREFIE	0	H0	R/W		

0x5480–0x549e		MR Sensor Controller (AMRC)					
Address	Register name	Bit	Bit name	Initial	Reset	R/W	Remarks
0x5480	AMRCCLK (AMRC Clock Control Register)	15–9	–	0x00	–	R	–
		8	DBRUN	1	H0	R/W	
		7–6	–	0x0	–	R	
		5–4	CLKDIV[1:0]	0x0	H0	R	
		3–2	–	0x0	–	R	
		1–0	CLKSRC[1:0]	0x1	H0	R	
0x5482	AMRCACTL (AMRC AFE Control Register)	15	(reserved)	0	H0	R/W	–
		14–8	–	0x00	–	R	
		7–6	(reserved)	0x0	H0	R/W	
		5–4	–	0x0	–	R	
		3	EXHYS1INV	0	H0	R/W	
		2	EXHYS0INV	0	H0	R/W	
		1	HYS1EN	1	H0	R/W	
0	HYS0EN	1	H0	R/W			
0x5484	AMRCEVPLS (AMRC Pulse Control Register)	15	EVPOL	0	H0	R/W	–
		14	EVOSEL	0	H0	R/W	
		13–9	–	0x00	–	R	
		8	EVEN	0	H0	R/W	
		7–6	–	0x0	–	R	
		5–0	EVW[5:0]	0x00	H0	R/W	
0x5486	AMRCCTL (AMRC Control Register)	15	DIRSET	0	H0	R/W	–
		14	ECH2TRGROT	0	H0	R/W	
		13	ECH1TRGROT	0	H0	R/W	
		12	ECH0TRGROT	0	H0	R/W	
		11	ECH02TRGMOD	0	H0	R/W	
		10	MODEN	0	H0	R/W	
		9	CTLSTP	0	H0	R/W	
		8	CTLST	0	H0	R/W	
		7	–	0	–	R	
		6	RSTUPCNT	0	H0	R/W	
		5	REVSTPTRG	0	H0	R/W	
		4	EPOUTTRG	0	H0	R/W	
3–0	TRGCYC[3:0]	0xa	H0	R/W			
0x5488	AMRCNMLCNT (AMRC Normal Rotation Counter Register)	15–0	NMLCNT[15:0]	0x0000	–	R	Cleared by writing 1 to the AMRCCTL.RSTUPCNT bit.
0x548a	AMRCREVSTPCNT (AMRC Reverse/Stop Counter Register)	15–0	REVSTPCNT[15:0]	0x0000	–	R	Cleared by writing 1 to the AMRCCTL.RSTUPCNT bit.
0x548c	AMRCECNT0 (AMRC Event Counter Ch.0 Register)	15–8	ECNT[7:0]	0xff	H0	R	–
		7–0	ECPR[7:0]	0xff	H0	R/W	
0x548e	AMRCECNT1 (AMRC Event Counter Ch.1 Register)	15–8	ECNT[7:0]	0xff	H0	R	–
		7–0	ECPR[7:0]	0xff	H0	R/W	
0x5490	AMRCECNT2 (AMRC Event Counter Ch.2 Register)	15–8	ECNT[7:0]	0xff	H0	R	–
		7–0	ECPR[7:0]	0xff	H0	R/W	
0x5492	AMRCUCMP (AMRC Unit Counter Compare Setting Register)	15–12	–	0x0	–	R	–
		11–0	UCMP[11:0]	0x000	H0	R/W	
0x5494	AMRCUCNT (AMRC Unit Counter Register)	15–12	–	0x0	–	R	–
		11–0	UCNT[11:0]	0x000	H0	R	

APPENDIX A LIST OF PERIPHERAL CIRCUIT CONTROL REGISTERS

Address	Register name	Bit	Bit name	Initial	Reset	R/W	Remarks
0x549a	AMRCSTAT (AMRC Status Register)	15-12	–	0x0	–	R	–
		11	FSENB	0	H0	R	
		10	FSENA	0	H0	R	
		9-8	(reserved)	0x0	H0	R	
		7-6	(reserved)	0x0	H0	R	
		5	PSEOUT	0	H0	R	
		4	CTLEN	0	H0	R	
		3	–	0	–	R	
		2-0	PHASE[2:0]	0x0	H0	R	
0x549c	AMRCINTF (AMRC Interrupt Flag Register)	15-13	–	0x0	–	R	–
		12	UCNTIF	0	H0	R/W	Cleared by writing 1.
		11	(reserved)	0	H0	R	–
		10	CNT2IF	0	H0	R/W	Cleared by writing 1.
		9	CNT1IF	0	H0	R/W	
		8	CNT0IF	0	H0	R/W	
		7	DIF1IF	0	H0	R/W	
		6	(reserved)	0	H0	R	–
		5	DIF0IF	0	H0	R/W	Cleared by writing 1.
		4	(reserved)	0	H0	R	–
		3	RSKIPIF	0	H0	R/W	Cleared by writing 1.
		2	STPIF	0	H0	R/W	
1	REVRIF	0	H0	R/W			
0	NMLRIF	0	H0	R/W			
0x549e	AMRCINTE (AMRC Interrupt Enable Register)	15-13	–	0x0	–	R	–
		12	UCNTIE	0	H0	R/W	
		11	(reserved)	0	H0	R/W	Always set to 0.
		10	CNT2IE	0	H0	R/W	–
		9	CNT1IE	0	H0	R/W	
		8	CNT0IE	0	H0	R/W	
		7	DIF1IE	0	H0	R/W	
		6	(reserved)	0	H0	R/W	Always set to 0.
		5	DIF0IE	0	H0	R/W	–
		4	(reserved)	0	H0	R/W	Always set to 0.
		3	RSKIPIE	0	H0	R/W	–
		2	STPIE	0	H0	R/W	
		1	REVRIE	0	H0	R/W	
0	NMLRIE	0	H0	R/W			

0xffff90

Debugger (DBG)

Address	Register name	Bit	Bit name	Initial	Reset	R/W	Remarks
0xffff90	DBRAM (Debug RAM Base Register)	31-24	–	0x00	–	R	–
		23-0	DBRAM[23:0]	0x00 0fc0	H0	R	

Appendix B Power Saving

Current consumption will vary dramatically, depending on CPU operating mode, operation clock frequency, peripheral circuits being operated, and V_{D1} regulator operating mode. Listed below are the control methods for saving power.

B.1 Operating Status Configuration Examples for Power Saving

Table B.1.1 lists typical examples of operating status configuration with consideration given to power saving.

Table B.1.1 Typical Operating Status Configuration Examples

Operating status configuration	Current consumption	V_{D1}	OSC1	IOSC/EXOSC	RTCA	CPU	Current consumption listed in electrical characteristics
Standby	↑	Economy	OFF	OFF	OFF	SLEEP	I_{SLP}
Clock counting	Low		ON		ON	SLEEP or HALT	I_{HALT2}
Low-speed processing						OSC1 RUN	I_{RUN20}
Peripheral circuit operations	High	Normal	ON	ON	SLEEP or HALT	I_{HALT1}	
High-speed processing	↓				IOSC/EXOSC RUN	I_{RUN10}	

If the current consumption order by the operating status configuration shown in Table B.1.1 is different from one that is listed in “Electrical Characteristics,” check the settings shown below.

PWGVD1CTL.REGMODE[1:0] bits of the power generator

If the PWGVD1CTL.REGMODE[1:0] bits of the power generator is 0x2 (normal mode) when the CPU enters SLEEP mode, current consumption in SLEEP mode will be larger than I_{SLP} that is listed in “Electrical Characteristics.” Set the PWGVD1CTL.REGMODE[1:0] bits to 0x3 (economy mode) or 0x0 (automatic mode) before executing the slp instruction.

CLGOSC.IOSCSLPC/OSC1SLPC/EXOSCSLPC bits of the clock generator

Setting the CLGOSC.IOSCSLPC, OSC1SLPC, or EXOSCSLPC bit of the clock generator to 0 disables the oscillator circuit stop control when the slp instruction is executed. To stop the oscillator circuits during SLEEP mode, set these bits to 1.

MODEN bits of the peripheral circuits

Setting the MODEN bit of each peripheral circuit to 1 starts supplying the operating clock enabling the peripheral circuit to operate. To reduce current consumption, set the MODEN bits of unnecessary peripheral circuits to 0. Note that the real-time clock has no MODEN bit, therefore, current consumption does not vary if it is counting or idle.

OSC1 oscillator circuit configurations

The OSC1 oscillator circuit provides some configuration items to support various crystal resonators with ranges from cylinder type through surface-mount type. These configurations trade off current consumption for performance as shown below.

- The lower oscillation inverter gain setting (CLGOSC1.INV1B[1:0]/INV1N[1:0] bits) decreases current consumption.
- The lower OSC1 internal gate capacitance setting (CLGOSC1.CGI1[2:0] bits) decreases current consumption.
- Using lower OSC1 external gate and drain capacitances decreases current consumption.
- Using a crystal resonator with lower C_L value decreases current consumption.

However, these configurations may reduce the oscillation margin and increase the frequency error, therefore, be sure to perform matching evaluation using the actual printed circuit board.

B.2 Other Power Saving Methods

Supply voltage detector configuration

Continuous operation mode (SVDCTL.SVDMD[1:0] bits = 0x0) always detects the power supply voltage, therefore, it increases current consumption. Set the supply voltage detector to intermittent operation mode or turn it on only when required.

LCD driver configurations

- Setting the LCD voltage regulator to operate with the V_{C1} reference voltage (LCD8PWR.VCSEL bit = 0) increases current consumption. Select the V_{C2} reference voltage (LCD8PWR.VCSEL bit = 1) when the power supply voltage V_{DD} is 2.2 V or higher.
- The lower booster clock frequency setting (LCD8TIM.BSTC[1:0] bits) for the LCD voltage booster decreases current consumption. Note, however, that the load characteristic becomes worse.
- Setting the LCD voltage regulator into heavy load protection mode (LCD8PWR.HVLD bit = 1) increases current consumption. Heavy load protection mode should be set only when the display becomes unstable.

Appendix C Mounting Precautions

This section describes various precautions for circuit board design and IC mounting.

OSC1 oscillator circuit

- Oscillation characteristics depend on factors such as components used (resonator, C_G , C_D) and circuit board patterns. In particular, with crystal resonators, select the appropriate capacitors (C_G , C_D) only after fully evaluating components actually mounted on the circuit board.
- Oscillator clock disturbances caused by noise may cause malfunctions. To prevent such disturbances, consider the following points.

- (1) Components such as a resonator, resistors, and capacitors connected to the OSC1 and OSC2 pins should have the shortest connections possible.
- (2) Wherever possible, avoid locating digital signal lines within 3 mm of the OSC1 and OSC2 pins or related circuit components and wiring. Rapidly-switching signals, in particular, should be kept at a distance from these components. Since the spacing between layers of multi-layer printed circuit boards is a mere 0.1 mm to 0.2 mm, the above precautions also apply when positioning digital signal lines on other layers. Never place digital signal lines alongside such components or wiring, even if more than 3 mm distance or located on other layers. Avoid crossing wires.

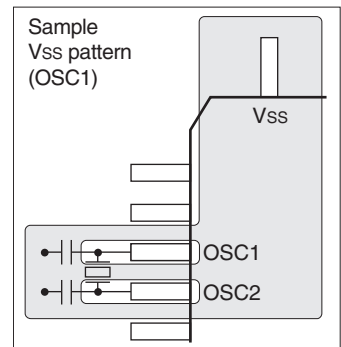
- (3) Use Vss to shield the OSC1 and OSC2 pins and related wiring (including wiring for adjacent circuit board layers). Layers wired should be adequately shielded as shown to the right. Fully ground adjacent layers, where possible. At minimum, shield the area at least 5 mm around the above pins and wiring.

Even after implementing these precautions, avoid configuring digital signal lines in parallel, as described in (2) above. Avoid crossing even on discrete layers, except for lines carrying signals with low switching frequencies.

- (4) After implementing these precautions, check the FOUT pin output clock waveform by running the actual application program within the product.

In particular, enlarge the areas before and after the clock rising and falling edges and take special care to confirm that the regions approximately 100 ns to either side are free of clock or spiking noise.

Failure to observe precautions (1) to (3) adequately may lead to noise in OSC1CLK. Noise in the OSC1CLK will destabilize timers that use OSC1CLK as well as CPU Core operations.

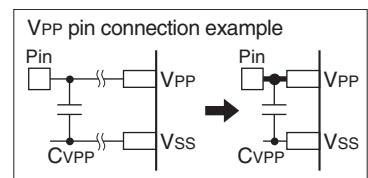


#RESET pin

Components such as a switch and resistor connected to the #RESET pin should have the shortest connections possible to prevent noise-induced resets.

VPP pin

If fluctuations in the Flash programming voltage V_{PP} is large, connect a capacitor C_{VPP} between the V_{SS} and V_{PP} pins to suppress fluctuations within $V_{PP} \pm 1$ V. The C_{VPP} should be placed as close to the V_{PP} pin as possible and use a sufficiently thick wiring pattern that allows current of several tens of mA to flow.



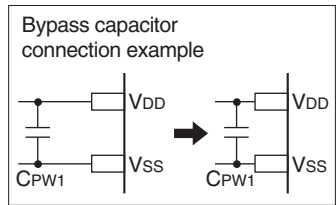
Power supply circuit

Sudden power supply fluctuations due to noise will cause malfunctions. Consider the following issues.

- (1) Connections from the power supply to the V_{DD} and V_{SS} pins should be implemented via the shortest, thickest patterns possible.

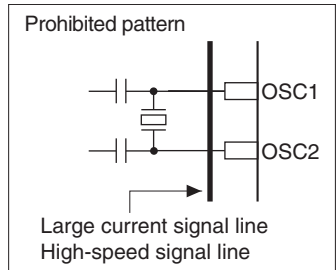
APPENDIX C MOUNTING PRECAUTIONS

- (2) If a bypass capacitor is connected between VDD and VSS, connections between the VDD and VSS pins should be as short as possible.



Signal line location

- To prevent electromagnetically-induced noise arising from mutual induction, large-current signal lines should not be positioned close to pins susceptible to noise, such as oscillator and analog measurement pins.
- Locating signal lines in parallel over significant distances or crossing signal lines operating at high speed will cause malfunctions due to noise generated by mutual interference.
- The SEG/COM lines and voltage boost/reduce capacitor drive lines are more likely to generate noise, therefore keep a distance between the lines and pins susceptible to noise.



Handling of light (for bare chip mounting)

The characteristics of semiconductor components can vary when exposed to light. ICs may malfunction or non-volatile memory data may be corrupted if ICs are exposed to light.

Consider the following precautions for circuit boards and products in which this IC is mounted to prevent IC malfunctions attributable to light exposure.

- (1) Design and mount the product so that the IC is shielded from light during use.
- (2) Shield the IC from light during inspection processes.
- (3) Shield the IC on the upper, underside, and side faces of the IC chip.
- (4) Mount the IC chip within one week of opening the package. If the IC chip must be stored before mounting, take measures to ensure light shielding.
- (5) Adequate evaluations are required to assess nonvolatile memory data retention characteristics before product delivery if the product is subjected to heat stress exceeding regular reflow conditions during mounting processes.

Unused pins

- (1) I/O port (P) pins
Unused pins should be left open. The control registers should be fixed at the initial status.
- (2) OSC1, OSC2, and EXOSC pins
If the OSC1 oscillator circuit or EXOSC input circuit is not used, the OSC1 and OSC2 pins or the EXOSC pin should be left open. The control registers should be fixed at the initial status (disabled).
- (3) VC1-3, CP1, CP2, SEGx, and COMx pins
If the LCD driver is not used, these pins should be left open. The control registers should be fixed at the initial status (display off). The unused SEGx and COMx pins that are not required to connect should be left open even if the LCD driver is used.

Miscellaneous

Minor variations over time may result in electrical damage arising from disturbances in the form of voltages exceeding the absolute maximum rating when mounting the product in addition to physical damage. The following factors can give rise to these variations:

- (1) Electromagnetically-induced noise from industrial power supplies used in mounting reflow, reworking after mounting, and individual characteristic evaluation (testing) processes
- (2) Electromagnetically-induced noise from a solder iron when soldering

In particular, during soldering, take care to ensure that the soldering iron GND (tip potential) has the same potential as the IC GND.

Appendix D Measures Against Noise

To improve noise immunity, take measures against noise as follows:

Noise Measures for V_{DD} and V_{SS} Power Supply Pins

When noise falling below the rated voltage is input, the system may be reset. If desired operations cannot be achieved, take measures against noise on the circuit board, such as designing close patterns for circuit board power supply circuits, adding noise-filtering decoupling capacitors, and adding surge/noise prevention components on the power supply line.

For the recommended patterns on the circuit board, see “Mounting Precautions” in Appendix.

Noise Measures for #RESET Pin

If noise is input to the #RESET pin, the IC may be reset. Therefore, the circuit board must be designed properly taking noise measures into consideration.

For the recommended patterns on the circuit board, see “Mounting Precautions” in Appendix.

Noise Measures for Oscillator Pins

The oscillator input pins must pass a signal of small amplitude, so they are hypersensitive to noise. Therefore, the circuit board must be designed properly taking noise measures into consideration.

For the recommended patterns on the circuit board, see “Mounting Precautions” in Appendix.

Noise Measures for Debug Pins

This product provides the input/output pins (DCLK, DST2, and DSIO) to connect ICDmini (S5U1C17001H) for debugging. If noise is input to these pins with the debugging function enabled, the S1C17 Core may enter DEBUG mode. To prevent unexpected transitions to DEBUG mode caused by extraneous noise, switch the DCLK, DST2, and DSIO pins to general-purpose I/O port pins within the initialization routine when the debug functions are not used.

For details of the pin functions and the function switch control, see the “I/O Ports” chapter.

Note: Do not perform the function switching shown above when the application is under development, as the debug functions must be used. The debugging cannot be performed after the pin function is switched. The above processing must be added after the application development has completed and debugging is no longer necessary.

The DSIO pin should be pulled up with a 10 k Ω resistor when using the debug pin functions.

Noise Measures for Interrupt Input Pins

This product is able to generate a port input interrupt when the input signal changes. The interrupt is generated when an input signal edge is detected, therefore, an interrupt may occur if the signal changes due to extraneous noise. To prevent occurrence of unexpected interrupts due to extraneous noise, enable the chattering filter circuit when using the port input interrupt.

For details of the port input interrupt and chattering filter circuit, see the “I/O Ports” chapter.

Noise Measures for UART Pins

This product includes a UART for asynchronous communications. The UART starts receive operation when it detects a low level input from the SIN n pin. Therefore, a receive operation may be started if the SIN n pin is set to low due to extraneous noise. In this case, a receive error will occur or invalid data will be received.

To prevent the UART from malfunction caused by extraneous noise, take the following measures:

- Stop the UART operations while asynchronous communication is not performed.
- Execute the resending process via software after executing the receive error handler with a parity check.

For details of the pin functions and the function switch control, see the “I/O Ports” chapter. For the UART control and details of receive errors, see the “UART” chapter.

Appendix E Initialization Routine

The following lists typical vector tables and initialization routines:

boot.s

```

.org      0x8000
.section .rodata                                     ...(1)
; =====
;      Vector table
; =====
;          ; interrupt  vector  interrupt
;          ; number    offset  source
;
.long BOOT          ; 0x00    0x00    reset          ...(2)
.long unalign_handler ; 0x01    0x04    unalign
.long nmi_handler   ; 0x02    0x08    NMI
.long int03_handler ; 0x03    0x0c    -
.long svd_handler   ; 0x04    0x10    SVD
.long pport_handler ; 0x05    0x14    PPORT
.long clg_handler   ; 0x06    0x18    CLG
.long rtca_handler  ; 0x07    0x1c    RTCA
.long t16_0_handler ; 0x08    0x20    T16 ch0
.long uart_handler  ; 0x09    0x24    UART
.long t16_1_handler ; 0x0a    0x28    T16 ch1
.long spia_0_handler ; 0x0b    0x2c    SPIA ch0
.long i2c_handler   ; 0x0c    0x30    I2C
.long t16_2_handler ; 0x0d    0x34    T16 ch2
.long t16_3_handler ; 0x0e    0x38    T16 ch3
.long t16_4_handler ; 0x0f    0x3c    T16 ch4
.long spia_1_handler ; 0x10    0x40    SPIA ch1
.long lcd8a_handler ; 0x11    0x44    LCD8A
.long rfc_handler   ; 0x12    0x48    RFC
.long amrc_handler  ; 0x13    0x4c    AMRC
.long int14_handler ; 0x14    0x50    -
.long int15_handler ; 0x15    0x54    -
.long int16_handler ; 0x16    0x58    -
.long int17_handler ; 0x17    0x5c    -
.long int18_handler ; 0x18    0x60    -
.long int19_handler ; 0x19    0x64    -
.long int1a_handler ; 0x1a    0x68    -
.long int1b_handler ; 0x1b    0x6c    -
.long int1c_handler ; 0x1c    0x70    -
.long int1d_handler ; 0x1d    0x74    -
.long int1e_handler ; 0x1e    0x78    -
.long int1f_handler ; 0x1f    0x7c    -
; =====
;      Program code
; =====
.text                                             ...(3)
.align 1

BOOT:
; ===== Initialize =====
; ----- Stack pointer -----
xld.a   %sp, 0x0fc0                               ...(4)
; ----- Memory controller -----
xld.a   %r1, 0x41b0 ; FLASHC register address
; Flash read wait cycle
xld.a   %r0, 0x00 ; 0x00 = No wait or 0x01 = 1 wait
ld.b    [%r1], %r0 ; [0x41b0] <= 0x00          ...(5)
; ===== Main routine =====
...

```

APPENDIX E INITIALIZATION ROUTINE

```
; =====  
;      Interrupt handler  
; =====  
; ----- Address unalign -----  
unalign_handler:  
    ...  
  
; ----- NMI -----  
nmi_handler:  
    ...
```

- (1) A “.rodata” section is declared to locate the vector table in the “.vector” section.
- (2) Interrupt handler routine addresses are defined as vectors.
“intXX_handler” can be used for software interrupts.
- (3) The program code is written in the “.text” section.
- (4) Sets the stack pointer.
- (5) Sets the number of Flash memory read cycles.
(See the “Memory and Bus” chapter.)

Revision History

Code No.	Page	Contents
412361700	All	New establishment
412361700c	2-10	2.4.1 Initial Boot Sequence (Old) – (New) For the reset hold time t_{RSTH} , refer to “Reset hold circuit characteristics” in the “Electrical Characteristics” chapter.
	3-3	3.3.4 External Connection (Old) For the recommended pull-up resistor value, refer to “Recommended Operating Conditions, DSIO pull-up resistor R_{DBG} ” in the “Electrical Characteristics” chapter. (New) For the recommended pull-up resistor value, refer to “Recommended Operating Conditions, DSIO pull-up resistor R_{DBG} ” in the “Electrical Characteristics” chapter. R_{DBG} is not required when using the DSIO pin as a general-purpose I/O port pin.
	4-3	4.3.4 Flash Security Function (Old) – (New) Note: Disable the Flash security function before debugging an IC with protected Flash via ICDmini. The debugging functions may not run normally if the Flash security function is enabled.
	7-1	7.2.1 WDT Operating Clock (Old) The CLK_WDT frequency should be set to around 256 Hz. (New) Use the following equation to calculate the WDT counter overflow cycle (NMI/reset generation cycle). $t_{WDT} = 1,024/CLK_WDT$ (Eq. 7.1) Where t_{WDT} : Counter overflow cycle [second] CLK_WDT: WDT operating clock frequency [Hz] Example) $t_{WDT} = 4$ seconds when CLK_WDT = 256 Hz
	7-2	7.3.1 WDT Control (Old) Resetting WDT ... A location should be provided for periodically processing this routine. Process this routine within “1,024/CLK_WDT clock frequency” [second] (e.g., 4 seconds when CLK_WDT = 256 Hz) cycle. After resetting, WDT starts counting with a new NMI/reset generation cycle. If WDT is not reset within the NMI/reset generation cycle for any reason, the CPU is switched to interrupt processing by NMI or reset, the interrupt vector is read out, and the interrupt handler routine is executed. (New) Resetting WDT ... A location should be provided for periodically processing this routine. Process this routine within the t_{WDT} cycle. After resetting, WDT starts counting with a new NMI/reset generation cycle. If WDT is not reset within the t_{WDT} cycle for any reason, the CPU is switched to interrupt processing by NMI or reset, the interrupt vector is read out, and the interrupt handler routine is executed.
	9-2	9.2.2 External Connection (Old) Figure 9.2.2.1 For the EXSVD pin input voltage range, refer to “Supply Voltage Detector Characteristics, EXSVD pin input voltage range V_{EXSVD} ” in the “Electrical Characteristics” chapter. (New) Modified the figure 9.2.2.1 (added resistors). R_{EXT} resistance value must be determined so that it will be sufficiently smaller than the EXSVD input impedance R_{EXSVD} . For the EXSVD pin input voltage range and the EXSVD input impedance, refer to “Supply Voltage Detector Characteristics” in the “Electrical Characteristics” chapter.
	9-4	9.4.2 SVD Operations (Old) Continuous operation mode ... Furthermore, an interrupt (if the SVDCTL.SVDRE[3:0] bits \neq 0xa) or a reset (if the SVDCTL.SVDRE[3:0] bits = 0xa) can be generated when the SVDINTF.SVDDT bit is set to 1 (low power supply voltage is detected). (New) Continuous operation mode ... Furthermore, an interrupt (if the SVDCTL.SVDRE[3:0] bits \neq 0xa) or a reset (if the SVDCTL.SVDRE[3:0] bits = 0xa) can be generated when the SVDINTF.SVDDT bit is set to 1 (low power supply voltage is detected). This mode can keep detecting power supply voltage drop after the voltage detection masking time has elapsed even if the IC is placed into SLEEP status or accidental clock stoppage has occurred.
	13-5	13.4.2 Data Transmission in Master Mode (Old) Generating a STOP/repeated START condition When setting the I2CnCTL.TXSTOP bit to 1 while the I2CnINTF.TBEIF bit = 1 (transmit buffer empty) or the I2CnINTF.NACKIF bit = 1 (NACK received), the I2C Ch.n generates a STOP condition. (New) Generating a STOP/repeated START condition After the I2CnINTF.TBEIF bit is set to 1 (transmit buffer empty) or the I2CnINTF.NACKIF bit is set to 1 (NACK received), setting the I2CnCTL.TXSTOP bit to 1 generates a STOP condition.

REVISION HISTORY

Code No.	Page	Contents
412361700c	13-12	<p>13.4.6 Data Reception in Slave Mode</p> <p>(Old) Data receiving procedure</p> <p>...</p> <p>7. Repeat Steps 4 to 6 until the end of data reception.</p> <p>(New) Data receiving procedure</p> <p>...</p> <p>7. Repeat Steps 4 to 6 until the end of data reception.</p> <p>8. <u>Wait for a STOP condition interrupt (I2CnINTF.STOPIF bit = 1) or a START condition interrupt (I2CnINTF.STARTIF bit = 1).</u></p> <p>i. <u>Go to Step 9 when a STOP condition interrupt has occurred.</u></p> <p>ii. <u>Go to Step 2 when a START condition interrupt has occurred.</u></p> <p>9. <u>Clear the I2CnINTF.STOPIF bit and then terminate data receiving operations.</u></p>
	17-6	<p>17.8 Supply Voltage Detector (SVD) Characteristics</p> <p>(Old) –</p> <p>(New) Modified the table (added EXSVD input impedance).</p>
412361701	1-1	<p>Features: Table 1.1.1 Features</p> <p>(Old) Watchdog timer (WDT) Generates <u>NMI or watchdog timer reset.</u></p> <p>(New) Watchdog timer (WDT) Generates watchdog timer reset.</p>
	2-3	<p>Power Supply, Reset, and Clocks: Watchdog timer reset</p> <p>(Old) <u>Setting the watchdog timer into reset mode will issue a reset request when the counter overflows.</u></p> <p>(New) <u>The watchdog timer issues a reset request when the counter overflows.</u></p>
	2-11	<p>Power Supply, Reset, and Clocks: Figure 2.4.2.1 Operating Mode-to-Mode State Transition Diagram</p> <p>Modified the figure (<u>Interrupt → HALT/SLEEP cancelation signal</u>)</p> <p>Power Supply, Reset, and Clocks: Canceling HALT or SLEEP mode</p> <p>(Old) <u>The conditions listed below cancel HALT or SLEEP mode and put the CPU into RUN mode.</u></p> <ul style="list-style-type: none"> • <u>Interrupt request from the interrupt controller</u> • <u>NMI from the watchdog timer</u> • <u>Debug interrupt or address misaligned interrupt</u> <p>(New) <u>The conditions listed below generate the HALT/SLEEP cancelation signal to cancel HALT or SLEEP mode and put the CPU into RUN mode. This transition is executed even if the CPU does not accept the interrupt request.</u></p> <ul style="list-style-type: none"> • <u>Interrupt request from a peripheral circuit</u> • <u>NMI</u> • <u>Debug interrupt</u>
		2-12
	2-13	<p>Power Supply, Reset, and Clocks: CLG System Clock Control Register - Bits 9–8 WUPSRC[1:0]</p> <p>(Old) <u>These bits select the SYSCLK clock source for resetting the CLG_SCLK.CLKSRC[1:0] bits at wake-up. When a currently stopped clock source is selected, it will automatically start oscillating or clock input at wake-up. However, this setting is ineffective when the CLG_SCLK.WUPMD bit = 0.</u></p> <p>(New) <u>These bits select the SYSCLK clock source for resetting the CLG_SCLK.CLKSRC[1:0] bits at wake-up. However, this setting is ineffective when the CLG_SCLK.WUPMD bit = 0.</u></p> <p><u>Note: Do not select a clock source that has stopped. When selecting it, set the clock source enable bit to 1 before executing the slp instruction.</u></p>
	5-1	<p>ITC: Figure 5.1.1 ITC Configuration</p> <p>Modified the figure (The HALT/SLEEP cancelation signal was added. The watchdog timer block was deleted. → GND)</p>
	5-1, 5-2	<p>ITC: Table 5.2.1 Vector Table</p> <p>(Old) TTBR + 0x00 • Watchdog timer overflow <u>≠2</u></p> <p>TTBR + 0x08 <u>Watchdog timer overflow ≠2</u></p> <p><u>≠2 Either reset or NMI can be selected as the watchdog timer interrupt with software.</u></p> <p>(New) TTBR + 0x00 • Watchdog timer overflow</p> <p>TTBR + 0x08 –</p> <p>(Note ≠2 was deleted.)</p>
	5-3	<p>ITC: Peripheral Circuit Interrupt Control</p> <p>(Old) Note: <u>To prevent occurrence of unnecessary interrupts, always clear the corresponding interrupt flag before setting the interrupt enable bit to 1 (interrupt enabled) and before terminating the interrupt handler routine.</u></p> <p>(New) Note: <u>To prevent occurrence of unnecessary interrupts, the corresponding interrupt flag should be cleared before setting the interrupt enable bit to 1 (interrupt enabled) and before terminating the interrupt handler routine.</u></p>

Code No.	Page	Contents
412361701	5-3	ITC: ITC Interrupt Request Processing (Old) <u>Note: Wake-up operations (SLEEP/HALT cancellation) by an interrupt cannot be disabled even if the interrupt level is set to 0.</u> (New) Deleted
	5-4	ITC: NMI (Old) <u>The watchdog timer embedded in this IC can generate a non-maskable interrupt (NMI). This interrupt takes precedence over other interrupts and is unconditionally accepted by the CPU. For detailed information on generating NMI, refer to the “Watchdog Timer” chapter.</u> (New) <u>This IC cannot generate non-maskable interrupts (NMI).</u> ITC: Interrupt Processing by the CPU (Old) <u>Note: At wake-up from HALT or SLEEP mode, the CPU jumps to the interrupt handler routine after executing one instruction.</u> (New) <u>Note: When HALT or SLEEP mode is canceled, the CPU jumps to the interrupt handler routine after executing one instruction.</u>
	6-5	PPORT: Reading input data from a GPIO port (Old) No description (New) <u>Note: The PxDAT.PxINy bit retains the input port status at 1 clock before being read from the CPU.</u> PPORT: Chattering filter function (Old) Input sampling time [second] = $2 / \text{CLK_PPORT frequency [Hz]}$ (Eq.6.2) (New) Input sampling time [second] = $2 \text{ to } 3 / \text{CLK_PPORT frequency [Hz]}$ (Eq.6.2)
	6-8	PPORT: Px Port Interrupt Control Register (Old) <u>Note: To prevent generating unnecessary interrupts, clear the corresponding interrupt flag before enabling interrupts.</u> (New) <u>Note: To prevent generating unnecessary interrupts, the corresponding interrupt flag should be cleared before enabling interrupts.</u>
	7-1	WDT: Overview (Old) • Includes a 10-bit up counter to count <u>NMI/reset generation cycle.</u> ... • Counter overflow generates a reset <u>or NMI.</u> (New) • Includes a 10-bit up counter to count reset generation cycle. ... • Counter overflow generates a reset. WDT: Figure 7.1.1 WDT Configuration Modified the figure (NMIXRST, STATNMI, and the NMI output were deleted.) WDT: WDT Operating Clock (Old) Use the following equation to calculate the WDT counter overflow cycle (<u>NMI/reset generation cycle</u>). (New) Use the following equation to calculate the WDT counter overflow cycle (<u>reset generation cycle</u>).
	7-2	WDT: Starting up WDT (Old) <u>3. Configure the WDTCTL.NMIXRST bit. (Select NMI or reset mode)</u> <u>4. Write 1 to the WDTCTL.WDTCNTRST bit. (Reset WDT counter)</u> <u>5. Write a value other than 0xa to the WDTCTL.WDTRUN[3:0] bits. (Start up WDT)</u> <u>6. Write a value other than 0x0096 to the MSCPROT.PROT[15:0] bits. (Set system protection)</u> (New) <u>3. Write 1 to the WDTCTL.WDTCNTRST bit. (Reset WDT counter)</u> <u>4. Write a value other than 0xa to the WDTCTL.WDTRUN[3:0] bits. (Start up WDT)</u> <u>5. Write a value other than 0x0096 to the MSCPROT.PROT[15:0] bits. (Set system protection)</u> WDT: Resetting WDT (Old) WDT generates a system reset (<u>WDTCTL.NMIXRST bit = 0</u>) or NMI (<u>WDTCTL.NMIXRST bit = 1</u>) when the counter overflows. ... After resetting, WDT starts counting with a new <u>NMI/reset generation cycle</u> . If WDT is not reset within the <u>twDT</u> cycle for any reason, <u>the CPU is switched to interrupt processing by NMI or reset, the interrupt vector is read out, and the interrupt handler routine is executed</u> . If the counter overflows and generates an NMI without WDT being reset, <u>the WDTCTL.STATNMI bit is set to 1</u> . (New) WDT generates a system reset when the counter overflows. ... After resetting, WDT starts counting with a new reset generation cycle. If WDT is not reset within the <u>twDT</u> cycle for any reason, <u>a system reset is generated</u> . WDT: During HALT mode (Old) WDT operates in HALT mode. HALT mode is therefore cleared by <u>an NMI or reset</u> if it continues for more than the <u>NMI/reset generation cycle</u> and the <u>NMI or reset handler</u> is executed. (New) WDT operates in HALT mode. HALT mode is therefore cleared by <u>a reset</u> if it continues for more than the <u>reset generation cycle</u> and the <u>reset handler</u> is executed.

REVISION HISTORY

Code No.	Page	Contents
412361701	7-2	<p>WDT: During SLEEP mode</p> <p>(Old) WDT operates in SLEEP mode if the selected clock source is running. In this case SLEEP mode is cleared by <u>an NMI or reset</u> if it continues for more than the <u>NMI/reset generation cycle</u> and the <u>NMI or reset handler</u> is executed. ... If the clock source stops in SLEEP mode, WDT stops. To prevent generation of an unnecessary <u>NMI or reset</u> after clearing SLEEP mode, reset WDT before executing the slp instruction.</p> <p>(New) WDT operates in SLEEP mode if the selected clock source is running. In this case SLEEP mode is cleared by <u>a reset</u> if it continues for more than the reset generation cycle and the reset handler is executed. ... If the clock source stops in SLEEP mode, WDT stops. To prevent generation of an unnecessary reset after clearing SLEEP mode, reset WDT before executing the slp instruction.</p>
	7-3	<p>WDT: WDT Control Register</p> <p>Modified the register table (NMIXRST, STATNMI → Reserved)</p> <p>WDT: WDT Control Register</p> <p>(Old) Bits 15–10 Reserved Bit 9 N MIXRST ... Bit 8 STATNMI ... Bits 7–5 Reserved</p> <p>(New) Bits 15–5 Reserved</p>
	7-4	<p>WDT: WDT Control Register - Bits 3–0 WDTRUN[3:0]</p> <p>(Old) Since <u>an NMI or reset</u> may be generated immediately after running depending on the counter value, WDT should also be reset concurrently when running WDT.</p> <p>(New) Since <u>a reset</u> may be generated immediately after running depending on the counter value, WDT should also be reset concurrently when running WDT.</p>
	9-3	<p>SVD: Starting detection</p> <p>(Old) 3. Set the following SVDCTL register bits: ... - SVDCTL.SVDC[4:0] bits (Set <u>comparison voltage</u>)</p> <p>(New) 3. Set the following SVDCTL register bits: ... - VDCTL.SVDC[4:0] bits (Set <u>SVD detection voltage V_{svd}</u>)</p> <p>Reading detection results</p> <p>(Old) • Power supply voltage (V_{DD} or EXSVD) ≥ <u>Comparison voltage</u> when SVDINTF.SVDDT bit = 0 • Power supply voltage (V_{DD} or EXSVD) < <u>Comparison voltage</u> when SVDINTF.SVDDT bit = 1 ... After the SVDCTL.SVDC[4:0] bits setting value is altered to change the <u>comparison voltage</u> when the SVDCTL.MODEN bit = 1, wait for at least SVD circuit response time before reading the SVDINTF.SVDDT bit ...</p> <p>(New) • Power supply voltage (V_{DD} or EXSVD) ≥ <u>SVD detection voltage V_{svd}</u> when SVDINTF.SVDDT bit = 0 • Power supply voltage (V_{DD} or EXSVD) < <u>SVD detection voltage V_{svd}</u> when SVDINTF.SVDDT bit = 1 ... After the SVDCTL.SVDC[4:0] bits setting value is altered to change the <u>SVD detection voltage V_{svd}</u> when the SVDCTL.MODEN bit = 1, wait for at least SVD circuit response time before reading the SVDINTF.SVDDT bit ...</p>
	9-5	<p>SVD: SVD Interrupt</p> <p>(Old) Once the SVDINTF.SVDIF bit is set, it will not be cleared even if the power supply voltage subsequently returns to a value exceeding the <u>comparison voltage value</u>.</p> <p>(New) Once the SVDINTF.SVDIF bit is set, it will not be cleared even if the power supply voltage subsequently returns to a value exceeding the <u>SVD detection voltage V_{svd}</u>.</p>
	9-6	<p>SVD: SVD Control Register - Bits 12–8 SVDC[4:0]</p> <p>(Old) These bits select <u>a comparison voltage</u> for detecting low voltage from among 20 levels. Table 9.6.3 Comparison Voltage Setting SVDCTL.SVDC[4:0] bits <u>Comparison voltage [V]</u></p> <p>(New) These bits select an <u>SVD detection voltage V_{svd}</u> for detecting low voltage from among 20 levels. Table 9.6.3 Setting of SVD Detection Voltage V_{svd} SVDCTL.SVDC[4:0] bits <u>SVD detection voltage V_{svd} [V]</u></p>
	9-7	<p>SVD: SVD Status and Interrupt Flag Register - Bit 8 SVDDT</p> <p>(Old) 1 (R): Power supply voltage (V_{DD} or EXSVD) < <u>comparison voltage</u> 0 (R): Power supply voltage (V_{DD} or EXSVD) ≥ <u>comparison voltage</u></p> <p>(New) 1 (R): Power supply voltage (V_{DD} or EXSVD) < <u>SVD detection voltage V_{svd}</u> 0 (R): Power supply voltage (V_{DD} or EXSVD) ≥ <u>SVD detection voltage V_{svd}</u></p>
	9-8	<p>SVD: SVD Interrupt Enable Register - Bit 0 SVDIE</p> <p>(Old) Notes: ... • To prevent generating unnecessary interrupts, <u>clear the corresponding interrupt flag</u> before enabling interrupts.</p> <p>(New) Notes: ... • To prevent generating unnecessary interrupts, <u>the corresponding interrupt flag should be cleared</u> before enabling interrupts.</p>

Code No.	Page	Contents
412361701	10-1	T16: Figure 10.1.1 Configuration of a T16 Channel Modified the figure (The I/O port (chattering filter) was deleted.) T16: Input Pin (Old) If the port is shared with the EXCLM pin and other functions, the EXCLM input function must be assigned to the port before using the event counter function. <u>The EXCLM signal can be input through the chattering filter.</u> For more information, refer to the “I/O Ports” chapter. (New) If the port is shared with the EXCLM pin and other functions, the EXCLM input function must be assigned to the port before using the event counter function. For more information, refer to the “I/O Ports” chapter.
	10-6	T16: T16 Ch.n Reload Data Register (Old) Note: The T16_nTR register cannot be altered while the timer is running (T16_nCTL.PRUN bit = 1), as an incorrect initial value may be preset to the counter. (New) Notes: • The T16_nTR register cannot be altered while the timer is running (T16_nCTL.PRUN bit = 1), as an incorrect initial value may be preset to the counter. • When one-shot mode is set, the T16_nTR.TR[15:0] bits should be set to a value equal to or greater than 0x0001.
	10-7	T16: T16 Ch.n Interrupt Enable Register - Bit 0 UFIE (Old) Note: To prevent generating unnecessary interrupts, <u>clear the corresponding interrupt flag before enabling interrupts.</u> (New) Note: To prevent generating unnecessary interrupts, <u>the corresponding interrupt flag should be cleared before enabling interrupts.</u>
	13-14	I2C: Figure 13.4.7.1 Example of Data Transfer Starting Operations in 10-bit Address Mode (Slave Mode) (Old) <u>Operations by I2C (master mode)</u> <u>Operations by the external slave</u> (New) <u>Operations by the external master</u> <u>Operations by I2C (slave mode)</u>
	AP-A-3	List of Peripheral Circuit Control Registers: WDT Control Register Modified the register table (NMIXRST, STATNMI → Reserved)
	AP-C-1	Mounting Precautions: VPP pin (Old) No description (New) <u>If fluctuations in the Flash programming voltage VPP is large, connect a capacitor CVPP between the VSS and VPP pins to suppress fluctuations within VPP ± 1 V. The CVPP should be placed as close to the VPP pin as possible and use a sufficiently thick wiring pattern that allows current of several tens of mA to flow.</u> Added a figure (VPP pin connection example)
412361702	1-2	1.1 Features Modified Table 1.1. Shipping form: A JEITA name was added to the package name.
	2-6	2.3.4 Operations Oscillation start time and oscillation stabilization waiting time Oscillation stabilization waiting time for the IOSC oscillator circuit → 16 IOSCKLCK clocks Added the following description: <u>The oscillation stabilization waiting time for the OSC1 oscillator circuit should be set to 16,384 OSC1CLK clocks or more.</u>
	3-3	3.3.3 List of debugger input/output pins Added notes. Notes: • <u>Do not drive the DCLK pin with a high level from outside (e.g. pulling up with a resistor). Also, do not connect (short-circuit) between the DCLK pin and another GPIO port. In the both cases, the IC may not start up normally due to unstable pin input/output status at power on.</u> • <u>Do not drive the DSIO pin with a low level from outside, as it generates a debug interrupt that puts the CPU into DEBUG mode.</u>
	4-3	4.3.3 Flash Programming Modified Figure 4.3.3.1. CVPP was added. Added the following description: <u>When supplying the VPP power source, be sure to connect CVPP for stabilizing the VPP voltage.</u>
	6-16	6.7.7 Pd Port Group Modified Table 6.7.7.1. PDOEN register: PDOEN[1:0] → PDOEN[2:0]
	7-4	7.4 Control Registers WDT Control Register Corrected the description of the WDTRUN[3:0] bit. Bits 3–0 WDTRUN[3:0] These bits control WDT to run and stop. 0xa (WP): _____ Stop <u>Values other than 0xa (WP): Run</u> 0xa (R): _____ Idle 0x0 (R): _____ Running

REVISION HISTORY

Code No.	Page	Contents
412361702	8-2	8.3.2 Theoretical Regulation Function Corrected Step 1. 1. <u>Measure fosc1 and calculate the frequency tolerance correction value</u> "m [ppm] = -(fosc1 - 32,768 [Hz]) / 32,768 [Hz] × 10 ⁶ ." (Eq. 8.1) m: <u>OSC1 frequency tolerance correction value [ppm]</u>
	8-4	8.4.2 Real-Time Clock Counter Operations Corrective operation when a value out of the effective range is set Added a note. <u>Note: Do not set the RTCMON.RTCMOL[3:0] bits to 0x0 if the RTCMON.RTCMOH bit = 0.</u>
	8-6	8.6 Control Registers RTC Control Register Bits 14–8 RTCTRM[6:0] Added a note. Notes: ... • <u>Writing 0x00 to the RTCCTL.RTCTRM[6:0] bits sets the RTCCTL.RTCTRMBSY bit to 1 as well. However, no correcting operation is performed.</u>
	8-11	8.6 Control Registers RTC Month/Day Register Bit 12 RTCMOH Bits 11–8 RTCMOL[3:0] Added a note. Notes: ... • <u>Be sure to avoid setting the RTCMON.RTCMOH/RTCMOL[3:0] bits to 0x00.</u>
	9-3	9.4.1 SVD Control Starting detection Corrected Step 4. 4. ... - <u>Set the SVDINTE.SVDIE bit to 1.</u>
	13-7 to 8	13.4.3 Data Reception in Master Mode Data receiving procedure Added Step 1. (The old step numbers were carried down in order.) 1. <u>When receiving one-byte data, write 1 to the I2CnCTL.TXNACK bit.</u> Modified Figure 13.4.3.2. A flow for Step 1 was added.
	13-12 to 13	13.4.6 Data Reception in Slave Mode Data receiving procedure Added Step 1. (The old step numbers were carried down in order.) 1. <u>When receiving one-byte data, write 1 to the I2CnCTL.TXNACK bit.</u> Modified Figure 13.4.6.2. A flow for Step 1 was added.
	14-2	14.2.1 List of Output Pins Modified Table 14.2.1.1. SEGxx/COMxx pin I/O: O → A
	14-4	14.4.3 External Voltage Application Mode 2 Corrected the description. In this mode, the LCD drive voltage Vc1 or Vc2 is applied from outside the IC and other voltages are internally generated.
	14-6	14.5.2 Display On/Off Added a note. <u>Note: When "Display off" is selected, the electric charges of Vc4 (or Vc3) must be discharged in the following procedure.</u> ... <u>To turn the display on again, perform the above procedure in the reverse order.</u>
	17-1	17.2 Recommended Operating Conditions Modified the characteristics table. CVPP was Added. A note (*1) was added. <u>*1 When the LCD driver is used with VDD ≥ 4.6 V, the LCD power supply voltage should be set as Vc3 - VDD ≥ 0.4 V.</u>
	18-1	18 Basic External Connection Diagram Modified the figure. CVPP was added.
19-1	19 Package A JEITA name was added to the package name.	

REVISION HISTORY

Code No.	Page	Contents
412361702	AP-A-9	Appendix A List of Peripheral Circuit Control Registers PDIOEN (Pd Port Enable Register) Modified the register table. PDOEN[1:0] → PDOEN[2:0]

America

Epson America, Inc.

Headquarter:
3840 Kilroy Airport Way
Long Beach, California 90806-2452 USA
Phone: +1-562-290-4677

San Jose Office:
214 Devcon Drive
San Jose, CA 95112 USA
Phone: +1-800-228-3964 or +1-408-922-0200

Europe

Epson Europe Electronics GmbH

Riesstrasse 15, 80992 Munich, Germany
Phone: +49-89-14005-0 Fax: +49-89-14005-110

Asia

Epson (China) Co., Ltd.

4th Floor, Tower 1 of China Central Place, 81 Jianguo Road,
Chaoyang District, Beijing 100025, China
Phone: +86-10-8522-1199 Fax: +86-10-8522-1120

Shanghai Branch

Room 1701 & 1704, 17 Floor, Greenland Center II,
562 Dong An Road, Xu Hui District, Shanghai, China
Phone: +86-21-5330-4888 Fax: +86-21-5423-4677

Shenzhen Branch

Room 804-805, 8 Floor, Tower 2, Ali Center, No.3331
Keyuan South RD (Shenzhen bay), Nanshan District,
Shenzhen 518054, China
Phone: +86-10-3299-0588 Fax: +86-10-3299-0560

Epson Taiwan Technology & Trading Ltd.

15F, No.100, Songren Rd, Sinyi Dist, Taipei City 110, Taiwan
Phone: +886-2-8786-6688

Epson Singapore Pte., Ltd.

1 HarbourFront Place,
#03-02 HarbourFront Tower One, Singapore 098633
Phone: +65-6586-5500 Fax: +65-6271-3182

Epson Korea Co., Ltd

10F Posco Tower Yeoksam, Teheranro 134 Gangnam-gu,
Seoul, 06235, Korea
Phone: +82-2-3420-6695

Seiko Epson Corp.

Sales & Marketing Division

Device Sales & Marketing Department

29th Floor, JR Shinjuku Miraina Tower, 4-1-6 Shinjuku,
Shinjuku-ku, Tokyo 160-8801, Japan