

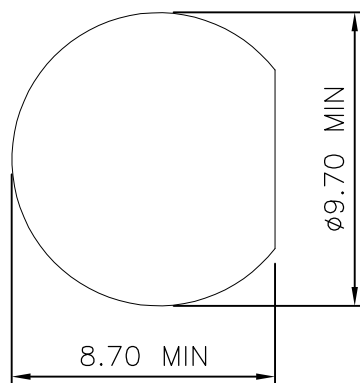
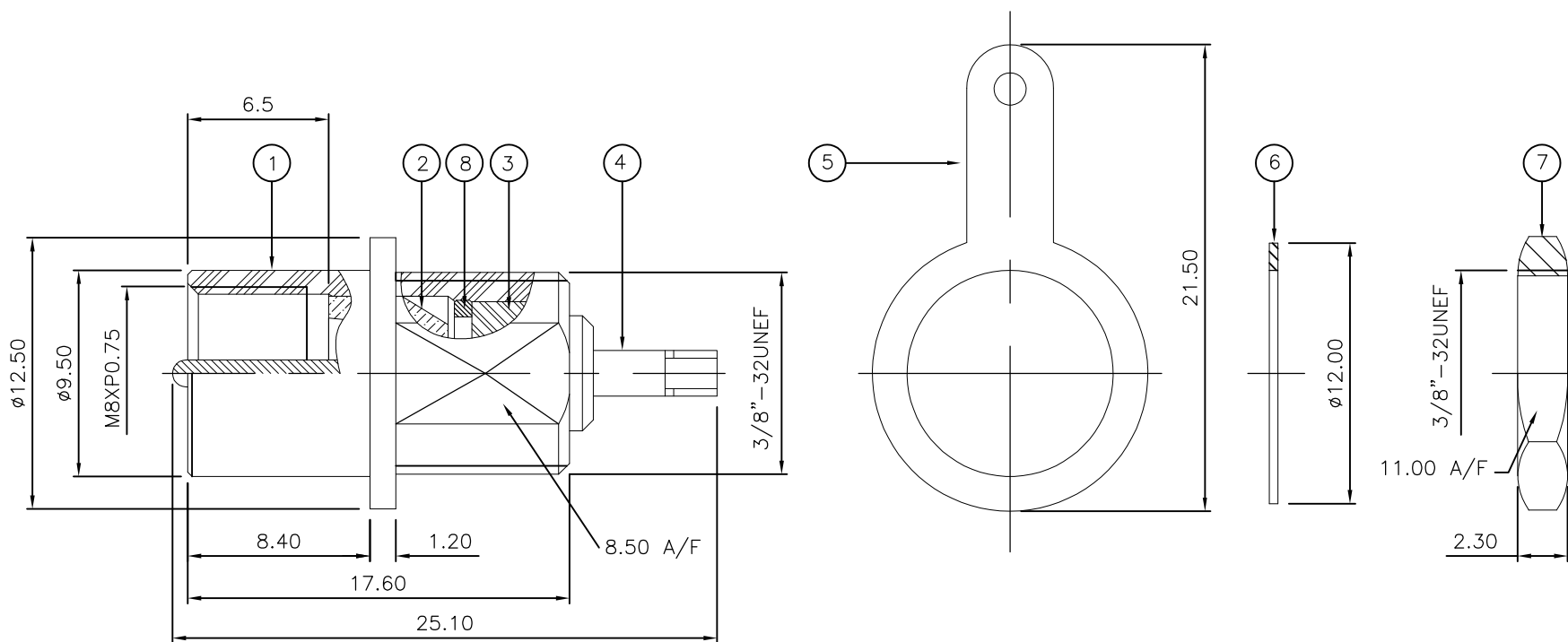
THIS DRAWING IS UNPUBLISHED. RELEASED FOR PUBLICATION AUGUST ,2006.

© COPYRIGHT 2006 By - ALL RIGHTS RESERVED.

LOC	DIST	REVISIONS					
E	B	P	LTR	DESCRIPTION	DATE	DWN	APVD
		D		REVISED PER ECO-12-019856	12NOV12	RZ	MY

NOTES:

- 1 PACK IN ACCORDANCE WITH AMP SPEC 107-3275
- 2 100 TRAY PACK IN ACCORDANCE WITH AMP SPEC 107-3275
- 3 Au PLATING
- 4 Ni PLATING
- 5 ELECTRICAL CHARACTERISTICS
 FREQUENCY RANGE: DC - 1.8 GHz
 NOMINAL IMPEDANCE: 50 Ohm
 INSULATION RESISTANCE: 5000 MOhm
 WORKING VOLTAGE: 335 Volts RMS Max Sea Level
 DIELECTRIC WITHSTAND VOLTAGE: 1000 Volts RMS Max
 CONTACT RESISTANCE:
 CENTRE CONTACT: 3 mOhm Max
 OUTER CONTACT: 5 mOhm Max
 VSWR @ 1.8GHz: 1.5 Max
 INSERTION LOSS dB @ x 1.8 GHz: 0.5dB Max
- 6 MECHANICAL CHARACTERISTICS
 DURABILITY: 500 Cycles Min
- 7 ENVIRONMENTAL CHARACTERISTICS
 OPERATING TEMPERATURE: -40 to +60 DegC
- 8 FOR TECHNICAL DATA REFER TO YOUR LOCAL
 TE CONNECTIVITY SALES OFFICE
- 9 ALL DIMENSIONS ARE NOMINAL FOR REFERENCE
 ONLY UNLESS OTHERWISE STATED



RECOMMENDED MOUNTING HOLE

QTY	QTY PER ASSY	QTY PER ASSY	MATERIAL	DESCRIPTION	ITEM
1	1		BRASS	WASHER	8
1	1		BRASS	HEX. NUT	7
1	1		BRASS	WASHER	6
1	1		BRASS	SOLDER TAG	5
1	1		BRASS	CONTACT	4
1	1		POM	INSULATION	3
1	1		POM	INSULATION	2
1	1		BRASS	BODY	1
6--0	1--0		MATERIAL	DESCRIPTION	ITEM

THIS DRAWING IS A CONTROLLED DOCUMENT.		DWN J.SANDWELL 31AUG06	TE Connectivity NAME FME BULKHEAD PLUG 50 OHM			
DIMENSIONS: mm		CHK S.PARLOW 31AUG06				
TOLERANCES UNLESS OTHERWISE SPECIFIED:		APVD F.WHEELER-KING 31AUG06				
0 PLC ± - 1 PLC ± - 2 PLC ± - 3 PLC ± - 4 PLC ± - ANGLES ± - FINISH -		PRODUCT SPEC -				
MATERIAL SEE TABLE		APPLICATION SPEC -	SIZE A3	CAGE CODE 00779	DRAWING NO C-1337554	RESTRICTED TO -
CUSTOMER DRAWING			SCALE NTS	SHEET 1 OF 1	REV D	