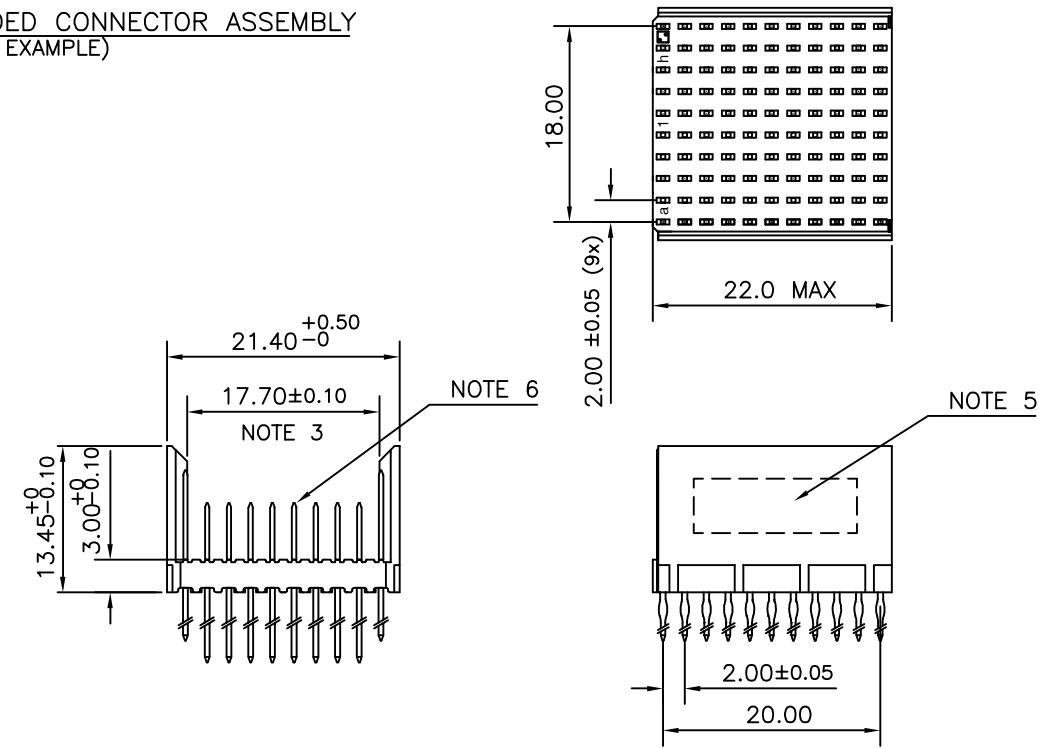


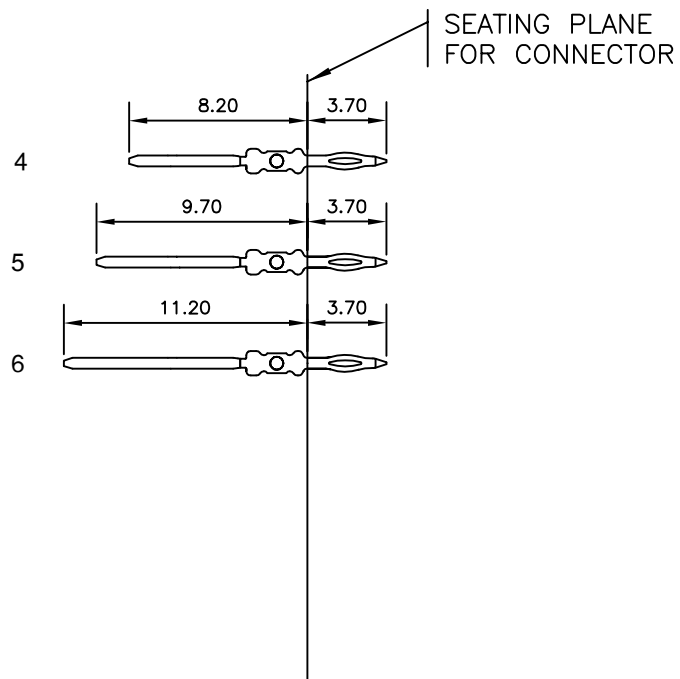
LOADING PATTERN MATING SIDE

y	6	6	6	6	6	6	6	6	6	6
h	4	5	5	5	5	5	5	5	5	4
g	5	5	5	5	5	5	5	5	5	5
f	5	5	5	5	5	5	5	5	5	5
e	5	5	5	5	5	5	5	5	5	5
d	5	5	5	5	5	5	5	5	5	5
c	5	5	5	5	5	5	5	5	5	5
b	5	5	5	5	5	5	5	5	5	5
a	5	5	5	5	5	5	5	5	5	5
z	6	6	6	6	6	6	6	6	6	6
P	0									
O	1									
S		5								
			1							
				0						

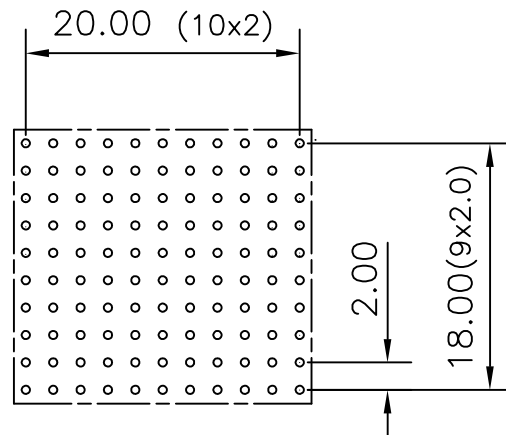
LOADED CONNECTOR ASSEMBLY
(FOR EXAMPLE)



CONTACT OVERVIEW



LAY-OUT P.C.B.-HOLE



LEAD FREE INDICATOR : LF = LEAD FREE
(DIGIT 15 & 16)

HM2P84PDF1R1

PLATING CODE (DIGIT 13 AND 14)
(REF DRW NO. BS,C , 201844 , 003)

NOTES

1. THIS PRODUCT IS CSA APPROVED.
 2. THIS PRODUCT IS UL RECOGNIZED.
 3. MEASURED AT THE BOTTOM.
 4. MATERIAL CONTACT: PHOSPHORBRONZE
HOUSING: CREAM WHITE GLASS FILLED POLYESTER UL-94V0
 5. CONNECTOR PRINTED WITH P/N AND DATE CODE.
 6. FOR ACTUAL CONTACT LOADINGS, SEE LOADING PATTERN MATING SIDE.
 7. SHAPE OF CONNECTOR HOUSING CAN ALTER DEPENDING ON PRODUCTION LOCATION
 8. THE PRODUCT (LF) MEETS EUROPEAN UNION DIRECTIVES AND OTHER COUNTRY REGULATIONS AS DESCRIBED IN GS-22-008
 9. FOR RECOMMENDED PTH DIMENSIONS REFER DRAWING : BS, A , 201572 , 001
- CATALOG NO: HM2P84PDF1R1----

mat'l. code SEE NOTE 4				surface ISO 1302 ✓		tolerance ISO 406 ISO 1101		projection MM		product family MILLIPACS			
litr				ecn no		dr		date		tolerances unless otherwise specified		title	
A				104-0070		MINI		2004/08/26		angles		MPACS 8+2R STR HDR PF CONN TYPE F (SPECIAL MODULE)	
B				105-0189		MINI		2005/10/13		linear			
C				106-0090		MINI		2006/06/27		0°±1°			
								dr		MINI K VANDANATH		2004/08/26	
								enr		BIJU K PAUL		2004/08/26	
								chr		BIJU K PAUL		2006/06/27	
								appd		BIJU K PAUL		2006/06/27	
sheet index		revision sheet		C		1						dwg no BS, C ,203028, 142	
												sheet 1 of 1 size A3	
												type Product Customer Drawing	