
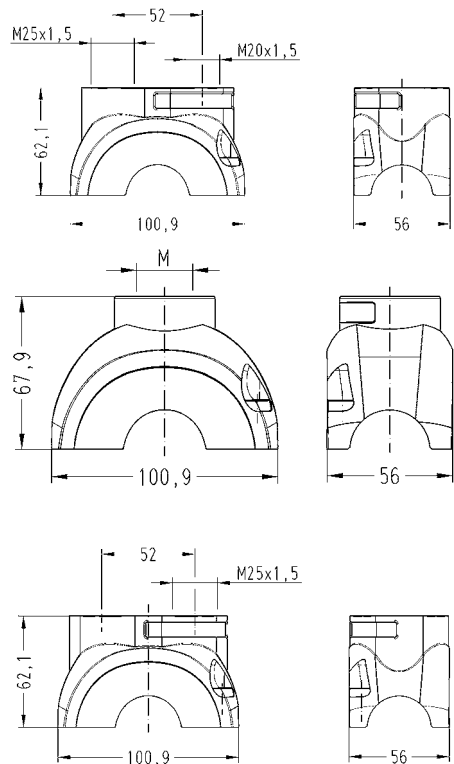

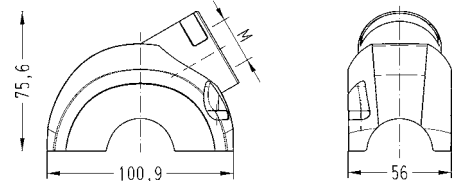



Metal hoods/housings for industrial applications

Identification	Cable entry	Part number	Drawing Dimensions in mm
<p>Han-Yellock®, Shell, top entry</p> 	<p>1xM20, 1xM25 1xM25 1xM32 1xM40 2xM25</p>	<p>11 12 600 1415 11 12 600 1401 11 12 600 1402 11 12 600 1403 11 12 600 1411</p>	
<p>Han-Yellock®, Shell, side entry</p> 	<p>1xM25 1xM32 1xM40</p>	<p>11 12 600 1501 11 12 600 1502 11 12 600 1503</p>	
<p>Han-Yellock®, Carrier hood, plain push button</p> 		<p>11 12 600 0100</p>	