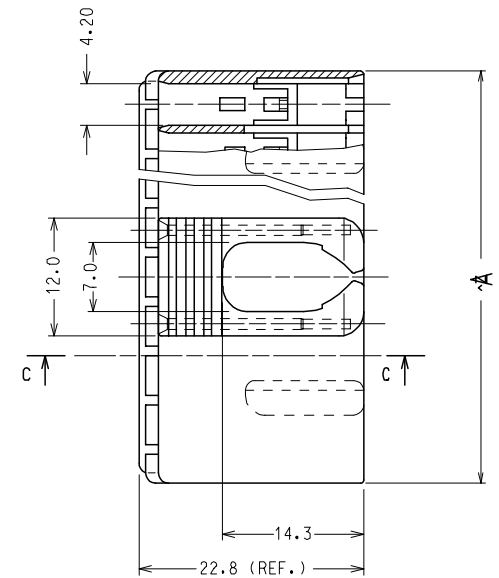
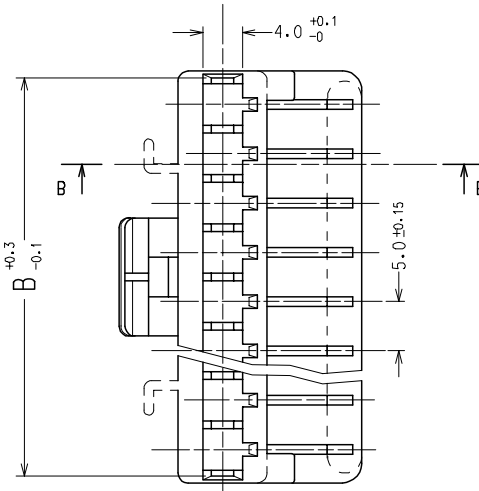
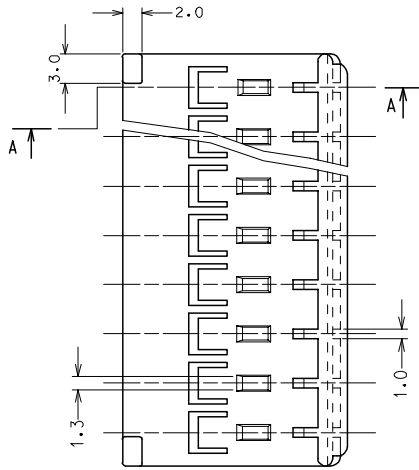
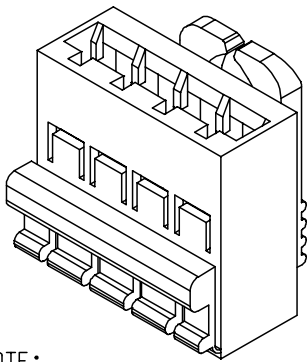


VISTA DELL'HOUSING CON SECONDARY LOCK CHIUSO
VIEW OF THE HOUSING WITH THE SEC. LOCK IN LOCKED POSITION



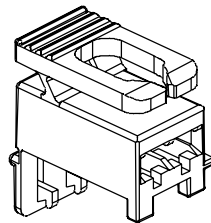
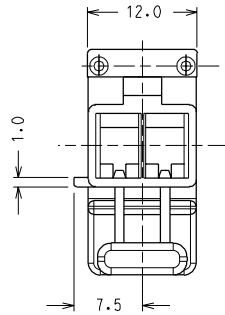
NOTE:

- MATERIALI/ MATERIALS: HOUSING: NYLON 66 NATURALE/PA 66 NATURAL COLOR
PIN: ACCIAIO INOX/STAINLESS STEEL
- PER CODICI, POLARIZZAZIONI, MARCATURE E PACKAGING VEDERE FOGLI SEGUENTI
FOR PART NOS, POLARIZATIONS, MARKINGS AND PACKAGING SEE THE FOLLOWING SHEETS
- LE DIMENSIONI VANNO MISURATE CON CORPI STABILIZZATI SECONDO NG 2301
(AUMENTO IN PESO DEL 2.7 %)
PARTS SHALL BE DIMENSIONALLY CHECKED AFTER ATTAINING EQUILIBRIUM CONDITIONS
E.G. 2.7 % INCREASE IN WEIGHT FOR HUMIDITY ABSORPTION FROM DRY STATUS
- CARATTERISTICHE SECONDO PS 94509
PRODUCT CHARACTERISTICS ACCORDING TO PS 94509 E
- VEDERE FOGLIO 10/10 PER INFORMAZIONI SULLA CONFEZIONE
SEE SHEET 10/10 FOR INFORMATION REGARDING THE PACKAGING

N.° VIE CKT.	2	3	4	5	6	7	8
A	11.8	16.8	21.8	26.8	31.8	36.8	41.8
B	10.4	15.4	20.4	25.4	30.4	35.4	40.4

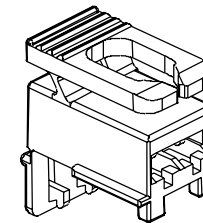
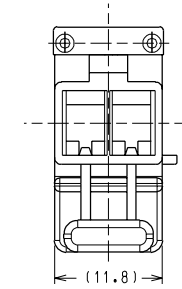
EC NO: Z2005-00E0 DRWN:FGOTTARD 2004/09/23 CHKD:RSANDANO 2004/09/23 APPR:GZUIN 2004/09/23	QUALITY SYMBOLS ▽=0 ▽=0	GENERAL TOLERANCES (UNLESS SPECIFIED)		DIMENSION STYLE MM ONLY		SCALE 2:1	DESIGN UNITS METRIC	FIRST ANGLE PROJECTION			
		4 PLACES ± --- ± --- 3 PLACES ± --- ± --- 2 PLACES ± 0.1 ± --- 1 PLACE ± 0.2 ± ---		DRAWN BY SBARBIER 1991/01/23		DATE		TITLE HOUSING FOR STRAIGHT FORK TERMINAL (WITH STEEL PINS)			
		ANGULAR ± 2 °		CHECKED BY DATE		APPROVED BY MPREVIAT 1991/01/24		DATE		MOLEX INCORPORATED	
		DRAFT WHERE APPLICABLE MUST REMAIN WITHIN DIMENSIONS		SEE CHART		MATERIAL NO.		DOCUMENT NO. SD-94509-003		SHEET NO. 1 OF 10	

HOUSINGS A 2 VIE: / 2 CKT HOUSINGS:



POLARIZZAZIONE TIPO "A"
TYPE "A" POLARIZATION

N.° VIE	CODICE HOUSING/TIPO POLARIZZAZIONE HOUSING P/N / POLARIZATION	
CKT No.	A	B
2	94509-5210	94509-5220

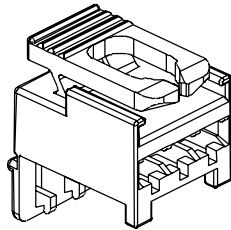
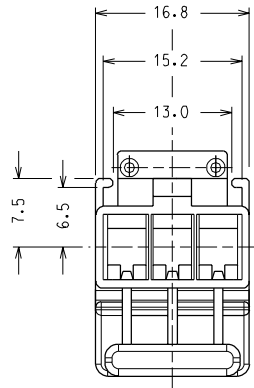


POLARIZZAZIONE TIPO "B"
TYPE "B" POLARIZATION

NOTA: QUESTA VERSIONE E' FORNITA SENZA PIOLINI IN ACCIAIO
NOTE: THIS VERSION IS SUPPLIED WITHOUT STEEL PINS

EC NO. Z9-065 DRWNS. BARBIERI 08-10-98 CHK: S. SDRATO 08-10-98 APPR: R. MARTUCCI 08-10-98	QUALITY SYMBOLS MAJOR M = SIGNIF. S = CRITICAL C =	GENERAL TOLERANCES: (UNLESS SPECIFIED)		SCALE 2:1	DESIGN UNITS <input checked="" type="checkbox"/> mm <input type="checkbox"/> INCH	DIMENSIONS: <input type="checkbox"/> mm <input type="checkbox"/> INCH <input type="checkbox"/> mm <input checked="" type="checkbox"/> ONLY	SHT	REV	
		4 PLACES ±0.1	±0.1	DRAWN BY & DATE S. BARBIERI 23-01-91	TITLE: HOUSING PER TERM. A FORCELLA DIRITTO (CON PINS IN ACCIAIO) HOUSING FOR STRAIGHT FORK TERMINAL (WITH STEEL PINS)				
B	REV	3 PLACES ±0.2	±0.2	CHECKED BY & DATE	APPROVED BY & DATE M. PREVIATO 24-01-91				
		2 PLACES ±0.1	±0.1	APPROVED BY & DATE	MATERIAL NO. DRAWING NO. SHEET NO. SEE TABLES SD-94509-003 2/10				
		1 PLACE ±0.2	±0.2	CAD FILENAME 94509003.S01	THIS DRAWING CONTAINS INFORMATION THAT IS PROPRIETARY TO MOLEX INCORPORATED AND SHOULD NOT BE USED WITHOUT WRITTEN PERMISSION.				
		ANGULAR: ± 2°		DRAFT WHERE APPLICABLE MUST REMAIN WITHIN DIMENSIONS				SIZE A3	

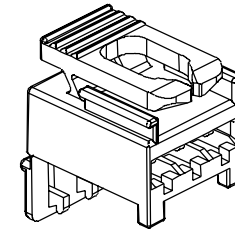
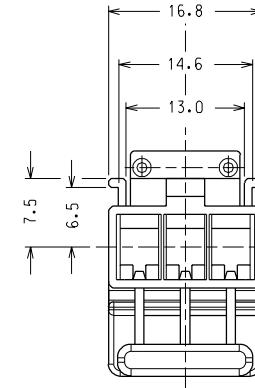
HOUSINGS A 3 VIE: / 3 CKT HOUSINGS:



POLARIZZAZIONE TIPO "A"
TYPE "A" POLARIZATION

N.° VIE	CODICE HOUSING/TIPO POLARIZZAZIONE HOUSING P/N / POLARIZATION	
	A	B
CKT No.	3	3
	94509-5310 *	94509-5320

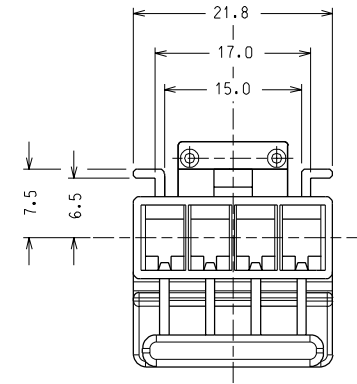
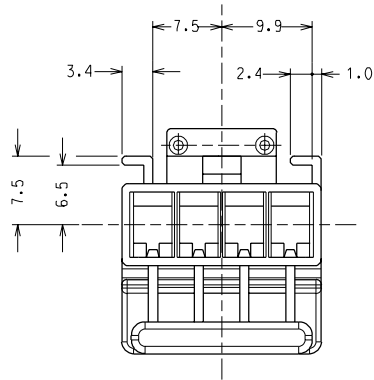
* VERSIONE NON ATTEZZATA
NOT TOOLED



POLARIZZAZIONE TIPO "B"
TYPE "B" POLARIZATION

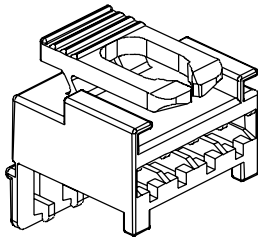
EC NO. Z9-065 DRWNS. BARBIERI 08-10-98 CH'K: S. SDRATO 08-10-98 APPR. R. MARTUCCI 08-10-98	QUALITY SYMBOLS	GENERAL TOLERANCES: (UNLESS SPECIFIED)		SCALE 2:1	DESIGN UNITS <input checked="" type="checkbox"/> mm <input type="checkbox"/> INCH	DIMENSIONS: <input type="checkbox"/> mm <input type="checkbox"/> INCH <input type="checkbox"/> mm <input checked="" type="checkbox"/> ONLY	SHT	REV
	MAJOR $\nabla_M =$	mm	INCH	DRAWN BY & DATE	FIRST ANGLE PROJECTION	TITLE: HOUSING PER TERM. A FORCELLA DIRITTO (CON PINS IN ACCIAIO) HOUSING FOR STRAIGHT FORK TERMINAL (WITH STEEL PINS)		
	SIGNIF. $\nabla_S =$	4 PLACES ±0.	±₀	S. BARBIERI 23-01-91				
	CRITICAL $\nabla_C =$	3 PLACES ±0.	±₀	CHECKED BY & DATE	APPROVED BY & DATE	MATERIAL NO. SEE TABLES	DRAWING NO. SD-94509-003	SHEET NO. 3/10
REV B	2 PLACES ±0.1	±₀	M. PREVIATO 24-01-91	CAD FILENAME 94509003.S02				
	1 PLACE ±0.2	±₀	ANGULAR: ± 2°	DRAFT WHERE APPLICABLE MUST REMAIN WITHIN DIMENSIONS		THIS DRAWING CONTAINS INFORMATION THAT IS PROPRIETARY TO MOLEX INCORPORATED AND SHOULD NOT BE USED WITHOUT WRITTEN PERMISSION.		

HOUSINGS A 4 VIE: / 4 CKT HOUSINGS:

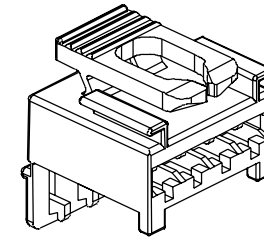


N.° VIE	CODICE HOUSING/TIPO POLARIZZAZIONE	
CKT No.	HOUSING P/N / POLARIZATION	
	A	B
4	94509-5410 *	94509-5420

* VERSIONE NON ATTREZZATA
NOT TOOLED



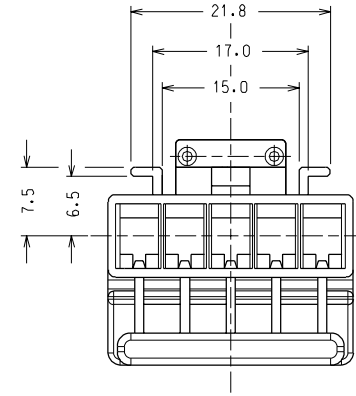
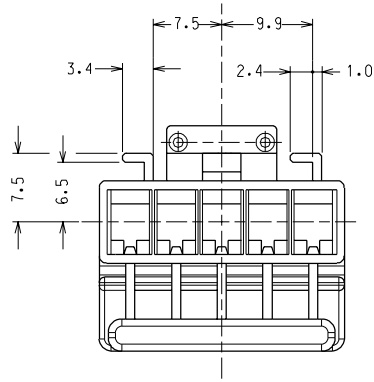
POLARIZZAZIONE TIPO "A"
TYPE "A" POLARIZATION



POLARIZZAZIONE TIPO "B"
TYPE "B" POLARIZATION

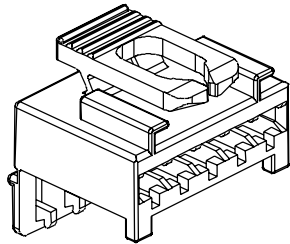
EC NO. Z9-065 DRWNS. BARBIERI 08-10-98 CHK: S. SDRATO 08-10-98 APPR: R. MARTUCCI 08-10-98	QUALITY SYMBOLS	GENERAL TOLERANCES: (UNLESS SPECIFIED)		SCALE 2:1	DESIGN UNITS <input checked="" type="checkbox"/> mm <input type="checkbox"/> INCH	DIMENSIONS: <input type="checkbox"/> mm <input type="checkbox"/> INCH <input type="checkbox"/> mm <input checked="" type="checkbox"/> ONLY	SHT	REV	
	MAJOR $\nabla_M =$	mm	INCH	DRAWN BY & DATE	FIRST ANGLE PROJECTION	TITLE: HOUSING PER TERM. A FORCELLA DIRITTO (CON PINS IN ACCIAIO) HOUSING FOR STRAIGHT FORK TERMINAL (WITH STEEL PINS)			
	3 PLACES ± 0.2			S. BARBIERI 23-01-91					
	SIGNIF. $\nabla_S =$			2 PLACES ± 0.1	CHECKED BY & DATE	MATERIAL NO. DRAWING NO. SHEET NO.	SEE TABLES SD-94509-003 4/10		
CRITICAL $\nabla_C =$			1 PLACE ± 0.2	M. PREVIATO 24-01-91					
REV B	DESCRIPTION	ANGULAR: $\pm 2^\circ$		CAD FILENAME	MATERIAL NO. DRAWING NO. SHEET NO.				
		DRAFT WHERE APPLICABLE MUST REMAIN WITHIN DIMENSIONS		94509003.S03	SEE TABLES SD-94509-003 4/10				
				THIS DRAWING CONTAINS INFORMATION THAT IS PROPRIETARY TO MOLEX INCORPORATED AND SHOULD NOT BE USED WITHOUT WRITTEN PERMISSION.		SIZE A3			

HOUSINGS A 5 VIE: / 5 CKT HOUSINGS:

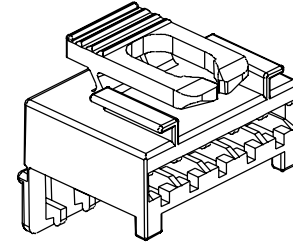


N.° VIE	CODICE HOUSING/TIPO POLARIZZAZIONE	
CKT No.	HOUSING P/N / POLARIZATION	
	A	B
5	94509-5510 *	94509-5520

* VERSIONE NON ATTEZZATA
NOT TOOLED



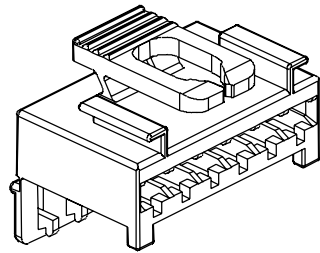
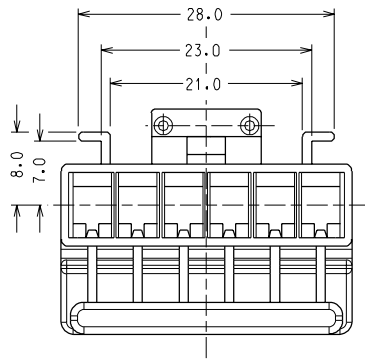
POLARIZZAZIONE TIPO "A"
TYPE "A" POLARIZATION



POLARIZZAZIONE TIPO "B"
TYPE "B" POLARIZATION

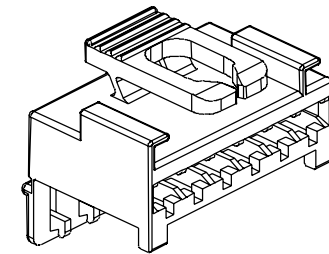
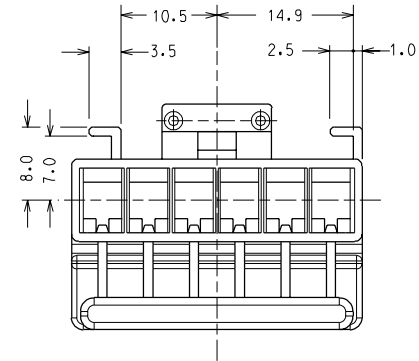
EC NO. Z9-065 DRWNS. BARBIERI 08-10-98 CHK: S. SDRATO 08-10-98 APPR: R. MARTUCCI 08-10-98	QUALITY SYMBOLS MAJOR M SIGNIF. S CRITICAL C	GENERAL TOLERANCES: (UNLESS SPECIFIED)	SCALE	DESIGN UNITS	DIMENSIONS:	SHT	REV
			2:1	<input checked="" type="checkbox"/> mm <input type="checkbox"/> INCH	<input type="checkbox"/> mm <input type="checkbox"/> INCH <input checked="" type="checkbox"/> mm ONLY		REVISE ON CAD ONLY
B	REV	4 PLACES ±0.1	DRAWN BY & DATE	TITLE: HOUSING PER TERM. A FORCELLA DIRITTO (CON PINS IN ACCIAIO) HOUSING FOR STRAIGHT FORK TERMINAL (WITH STEEL PINS)			
		3 PLACES ±0.2	S. BARBIERI 20-12-95				
		2 PLACES ±0.1	CHECKED BY & DATE	MATERIAL NO. DRAWING NO. SHEET NO. SEE TABLES SD-94509-003 5/10			
		1 PLACE ±0.2	M. PREVIATO 20-12-95				
		ANGULAR: ± 2°	APPROVED BY & DATE	MATERIAL NO. DRAWING NO. SHEET NO. SEE TABLES SD-94509-003 5/10			
			M. PREVIATO 20-12-95				
		DRAFT WHERE APPLICABLE MUST REMAIN WITHIN DIMENSIONS	CAD FILENAME	THIS DRAWING CONTAINS INFORMATION THAT IS PROPRIETARY TO MOLEX INCORPORATED AND SHOULD NOT BE USED WITHOUT WRITTEN PERMISSION.			
			94509003.S04				
			MOLEX INCORPORATED				
			SIZE A3				

HOUSINGS A 6 VIE: / 6 CKT HOUSINGS:



POLARIZZAZIONE TIPO "A"
TYPE "A" POLARIZATION

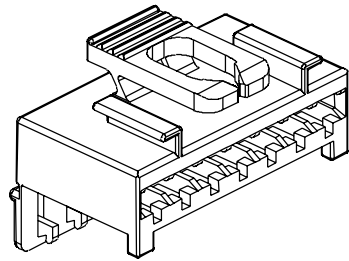
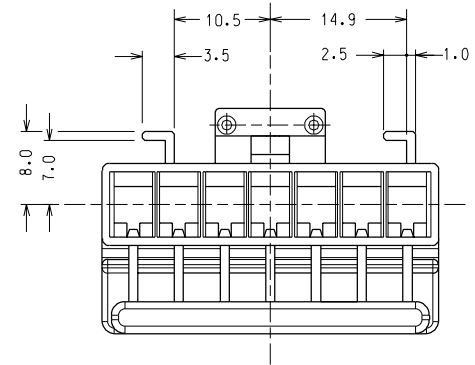
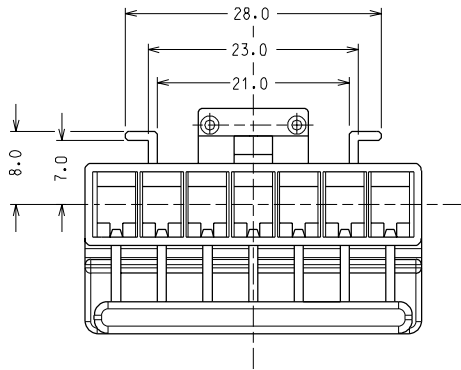
N.° VIE	CODICE HOUSING/TIPO POLARIZZAZIONE HOUSING P/N / POLARIZATION	
CKT No.	A	B
6	94509-5610	94509-5620



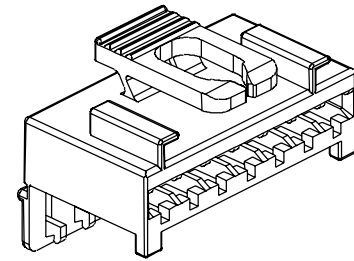
POLARIZZAZIONE TIPO "B"
TYPE "B" POLARIZATION

EC NO. Z9-065 DRWNS. BARBIERI 08-10-98 CHK: S. SDRATO 08-10-98 APPR: R. MARTUCCI 08-10-98	QUALITY SYMBOLS MAJOR M = SIGNIF. S = CRITICAL C =	GENERAL TOLERANCES: (UNLESS SPECIFIED)		SCALE 2:1	DESIGN UNITS <input checked="" type="checkbox"/> mm <input type="checkbox"/> INCH	DIMENSIONS: <input type="checkbox"/> mm <input type="checkbox"/> INCH <input checked="" type="checkbox"/> mm ONLY	SHT	REV	
		4 PLACES ±0.1	±0.1	DRAWN BY & DATE S. BARBIERI 23-01-91	TITLE: HOUSING PER TERM. A FORCELLA DIRITTO (CON PINS IN ACCIAIO) HOUSING FOR STRAIGHT FORK TERMINAL (WITH STEEL PINS)				
B	REV	3 PLACES ±0.2	±0.2	CHECKED BY & DATE	APPROVED BY & DATE M. PREVIATO 24-01-91				
		2 PLACES ±0.1	±0.1	APPROVED BY & DATE	MATERIAL NO. DRAWING NO. SHEET NO. SEE TABLES SD-94509-003 6/10				
		1 PLACE ±0.2	±0.2	CAD FILENAME 94509003.S05	THIS DRAWING CONTAINS INFORMATION THAT IS PROPRIETARY TO MOLEX INCORPORATED AND SHOULD NOT BE USED WITHOUT WRITTEN PERMISSION.				
		ANGULAR: ± 2°		DRAFT WHERE APPLICABLE MUST REMAIN WITHIN DIMENSIONS				SIZE A3	

HOUSINGS A 7 VIE: / 7 CKT HOUSINGS:



POLARIZZAZIONE TIPO "A"
TYPE "A" POLARIZATION



POLARIZZAZIONE TIPO "B"
TYPE "B" POLARIZATION

N.° VIE	CODICE HOUSING/TIPO POLARIZZAZIONE HOUSING P/N / POLARIZATION	
CKT No.	A	B
7	94509-5710 *	94509-5720 *

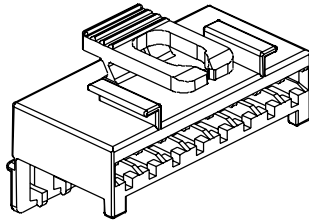
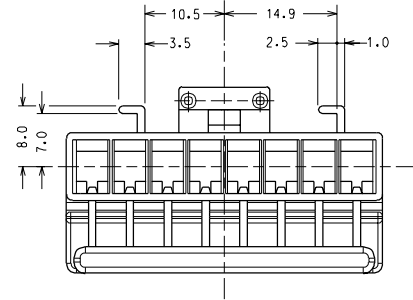
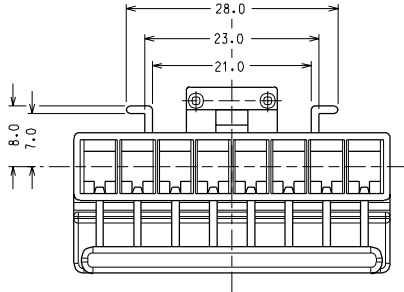
* VERSIONE NON ATTREZZATA
NOT TOOLED

EC NO. Z9-065 DRWNS. BARBIERI 08-10-98 CHK: S. SDRATO 08-10-98 APPR: R. MARTUCCI 08-10-98	QUALITY SYMBOLS MAJOR M = SIGNIF. S = CRITICAL C =	GENERAL TOLERANCES: (UNLESS SPECIFIED)		SCALE 2:1	DESIGN UNITS <input checked="" type="checkbox"/> mm <input type="checkbox"/> INCH	DIMENSIONS: <input type="checkbox"/> mm <input type="checkbox"/> INCH <input checked="" type="checkbox"/> mm ONLY	SHT	REV
		4 PLACES ±0.1	±0.2	DRAWN BY & DATE S. BARBIERI 23-01-91	FIRST ANGLE PROJECTION			REVISION ON CAD ONLY
B	REV	3 PLACES ±0.2	±0.1	CHECKED BY & DATE	TITLE: HOUSING PER TERM. A FORCELLA DIRITTO (CON PINS IN ACCIAIO) HOUSING FOR STRAIGHT FORK TERMINAL (WITH STEEL PINS)			
		2 PLACES ±0.1	±0.2	APPROVED BY & DATE M. PREVIATO 24-01-91	MATERIAL NO. DRAWING NO.		SHEET NO.	
		1 PLACE ±0.2	±0.1	CAD FILENAME 94509003.S06	SEE TABLES SD-94509-003		7/10	
		ANGULAR: ± 2°		DRAFT WHERE APPLICABLE MUST REMAIN WITHIN DIMENSIONS		THIS DRAWING CONTAINS INFORMATION THAT IS PROPRIETARY TO MOLEX INCORPORATED AND SHOULD NOT BE USED WITHOUT WRITTEN PERMISSION.		SIZE A3

HOUSINGS A 8 VIE: / 8 CKT HOUSINGS:

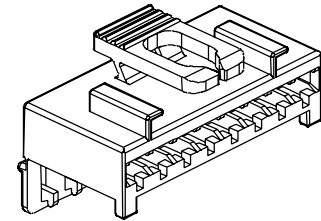
(VEDERE ANCHE FOGLIO SEGUENTE)

(SEE ALSO THE FOLLOWING SHEET)



POLARIZZAZIONE TIPO "A"
TYPE "A" POLARIZATION

N.° VIE	CODICE HOUSING/TIPO POLARIZZAZIONE HOUSING P/N / POLARIZATION	
CKT No.	A	B
8	94509-5810	94509-5820



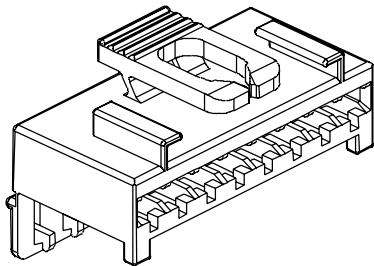
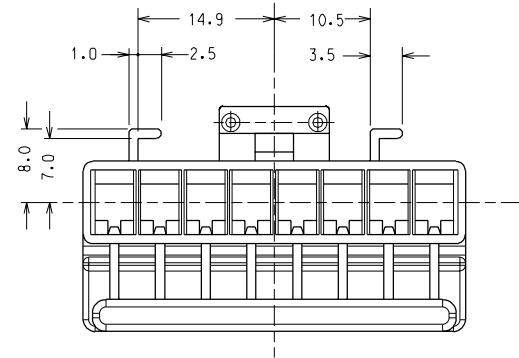
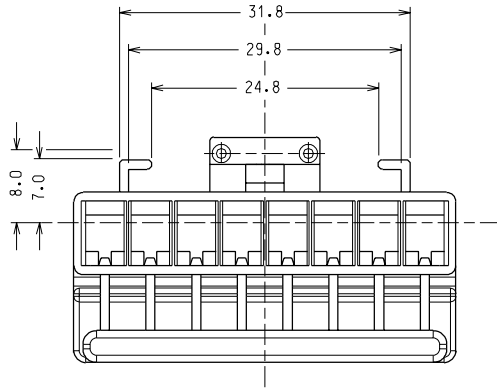
POLARIZZAZIONE TIPO "B"
TYPE "B" POLARIZATION

EC NO. Z9-065 DRAWING: BARBERI 08-10-98 CHK: S. SOPRATO 08-10-98 APPR: R. MARUCCI 08-10-98	QUALITY SYMBOLS MAJOR M SIGNIF. S CRITICAL C	DESCRIPTION	GENERAL TOLERANCES: (UNLESS SPECIFIED)		SCALE	DESIGN UNITS	DIMENSIONS: <input type="checkbox"/> mm <input type="checkbox"/> INCH <input checked="" type="checkbox"/> mm ONLY	SHT	REV	
			mm	INCH	2:1	<input checked="" type="checkbox"/> mm <input type="checkbox"/> INCH				REVISE ON CAD ONLY
B	REV	DESCRIPTION	4 PLACES	±0.2	±.	DRAWN BY & DATE	TITLE: HOUSING PER TERM. A FORCELLA DIRITTO (CON PINS IN ACCIAIO) HOUSING FOR STRAIGHT FORK TERMINAL (WITH STEEL PINS)	MATERIAL NO.	DRAWING NO.	SHEET NO.
			3 PLACES	±0.2	±.	S. BARBERI 23-01-91				
			2 PLACES	±0.1	±.	CHECKED BY & DATE	MOLEX INCORPORATED	SIZE	A3	
			1 PLACE	±0.2	±.	APPROVED BY & DATE				
			ANGULAR: ± 2°			M. PREVIATO 24-01-91				
			DRAFT WHERE APPLICABLE MUST REMAIN WITHIN DIMENSIONS			CAD FILENAME				
						94509003.S07				
						THIS DRAWING CONTAINS INFORMATION THAT IS PROPRIETARY TO MOLEX INCORPORATED AND SHOULD NOT BE USED WITHOUT WRITTEN PERMISSION.				

HOUSINGS A 8 VIE: / 8 CKT HOUSINGS:

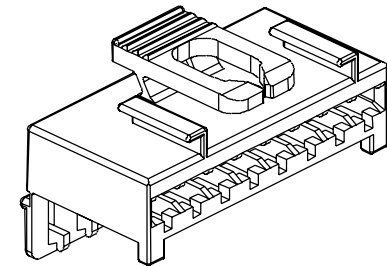
(VEDERE ANCHE FOGLIO PRECEDENTE)

(SEE ALSO THE PREVIOUS SHEET)



POLARIZZAZIONE TIPO "C"
TYPE "C" POLARIZATION

N.° VIE	CODICE HOUSING/TIPO POLARIZZAZIONE	
CKT No.	HOUSING P/N / POLARIZATION	
	C	D
8	94509-5830	94509-5840



POLARIZZAZIONE TIPO "D"
TYPE "D" POLARIZATION

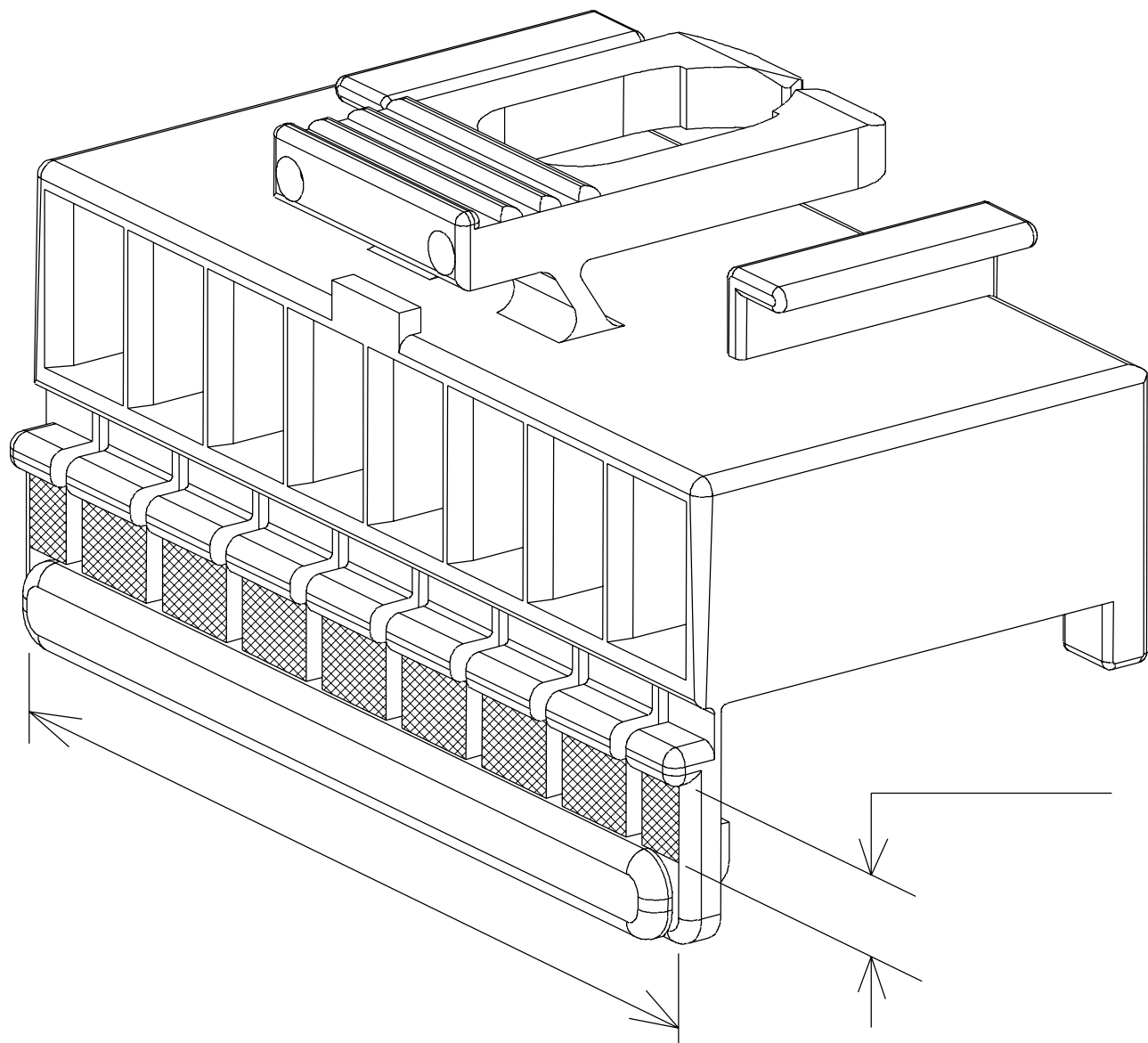
EC NO. Z9-065 DRWNS. BARBIERI 08-10-98 CHK: S. SORATO 08-10-98 APPR: R. MARTUCCI 08-10-98	QUALITY SYMBOLS MAJOR M = SIGNIF. S = CRITICAL C =	GENERAL TOLERANCES: (UNLESS SPECIFIED)		SCALE 2:1	DESIGN UNITS <input checked="" type="checkbox"/> mm <input type="checkbox"/> INCH	DIMENSIONS: <input type="checkbox"/> mm <input type="checkbox"/> INCH <input checked="" type="checkbox"/> mm ONLY	SHT	REV
		4 PLACES ±0.1	±0.2	DRAWN BY & DATE S. BARBIERI 23-01-91	TITLE: HOUSING PER TERM. A FORCELLA DIRITTO (CON PINS IN ACCIAIO) HOUSING FOR STRAIGHT FORK TERMINAL (WITH STEEL PINS)			REVISION ON CAD ONLY
B	REV	3 PLACES ±0.1	±0.2	CHECKED BY & DATE	APPROVED BY & DATE M. PREVIATO 24-01-91	MATERIAL NO. SEE TABLES	DRAWING NO. SD-94509-003	SHEET NO. 9/10
		2 PLACES ±0.1	±0.2	ANGULAR: ± 2°	CAD FILENAME 94509003.S08			
DRAFT WHERE APPLICABLE MUST REMAIN WITHIN DIMENSIONS								

MARCATURE CON BANDA COLORATA
COLOR MARKING

CONFEZIONE - PACKAGING

I PEZZI SONO CONFEZIONATI IN SACCHETTI DI PLASTICA POSTI IN SCATOLE DI CARTONE
PARTS ARE PACKED IN PLASTIC BAGS PUT IN CARTON BOXES

CKT No.	HOUSING P/N - POLARIZATION				STD PACK. QUANTITY
	A	B	C	D	
2	94509-5210	94509-5220			7500
3	94509-5310	94509-5320			5500
4	94509-5410	94509-5420			3000
5	94509-5510	94509-5520			3300
6	94509-5610	94509-5620			2800
7	94509-5710	94509-5720			1500
8	94509-5810	94509-5820	94509-5830	94509-5840	2000



ZONA COLORATA
MARKED AREA

CKT No.	HOUSING P/N	POLARIZATION	COLOR
6	94509-5610	A	—
	94509-5620	B	ROSSO/ RED
8	94509-5810	A	—
	94509-5820	B	ROSSO/ RED
	94509-5830	C	BLU/ BLUE
	94509-5840	D	NERO/ BLACK

EC NO. SEE SHT 1 DRWN: CHK: APPR:	DESCRIPTION	QUALITY SYMBOLS	GENERAL TOLERANCES: (UNLESS SPECIFIED)	SCALE 2:1	DESIGN UNITS <input checked="" type="checkbox"/> mm <input type="checkbox"/> INCH	FIRST ANGLE PROJECTION	DIMENSIONS: <input type="checkbox"/> mm <input type="checkbox"/> INCH <input checked="" type="checkbox"/> mm ONLY	SHT	REV	
		MAJOR M =	mm	INCH	DRAWN BY & DATE S. BARBIERI 05-02-98	TITLE: HOUSING PER TERM. A FORCELLA DIRITTO (CON PINS IN ACCIAIO) HOUSING FOR STRAIGHT FORK TERMINAL (WITH STEEL PINS)	REVISE ON CAD ONLY			
B3	REV	SIGNIF. S =	4 PLACES ±0. ±.		CHECKED BY & DATE S. SORATO 06-02-98	MATERIAL NO. DRAWING NO. SHEET NO.	MOLEX INCORPORATED	SEE TABLES	SD-94509-003 10/10	
		CRITICAL C =	3 PLACES ±0. ±.		APPROVED BY & DATE R. MARTUCCI 06-02-98					
			2 PLACES ±0.1 ±.		CAD FILENAME 94509003.S09					
			1 PLACE ±0.2 ±.		ANGULAR: ± 2°					
DRAFT WHERE APPLICABLE MUST REMAIN WITHIN DIMENSIONS				THIS DRAWING CONTAINS INFORMATION THAT IS PROPRIETARY TO MOLEX INCORPORATED AND SHOULD NOT BE USED WITHOUT WRITTEN PERMISSION.				SIZE A3		