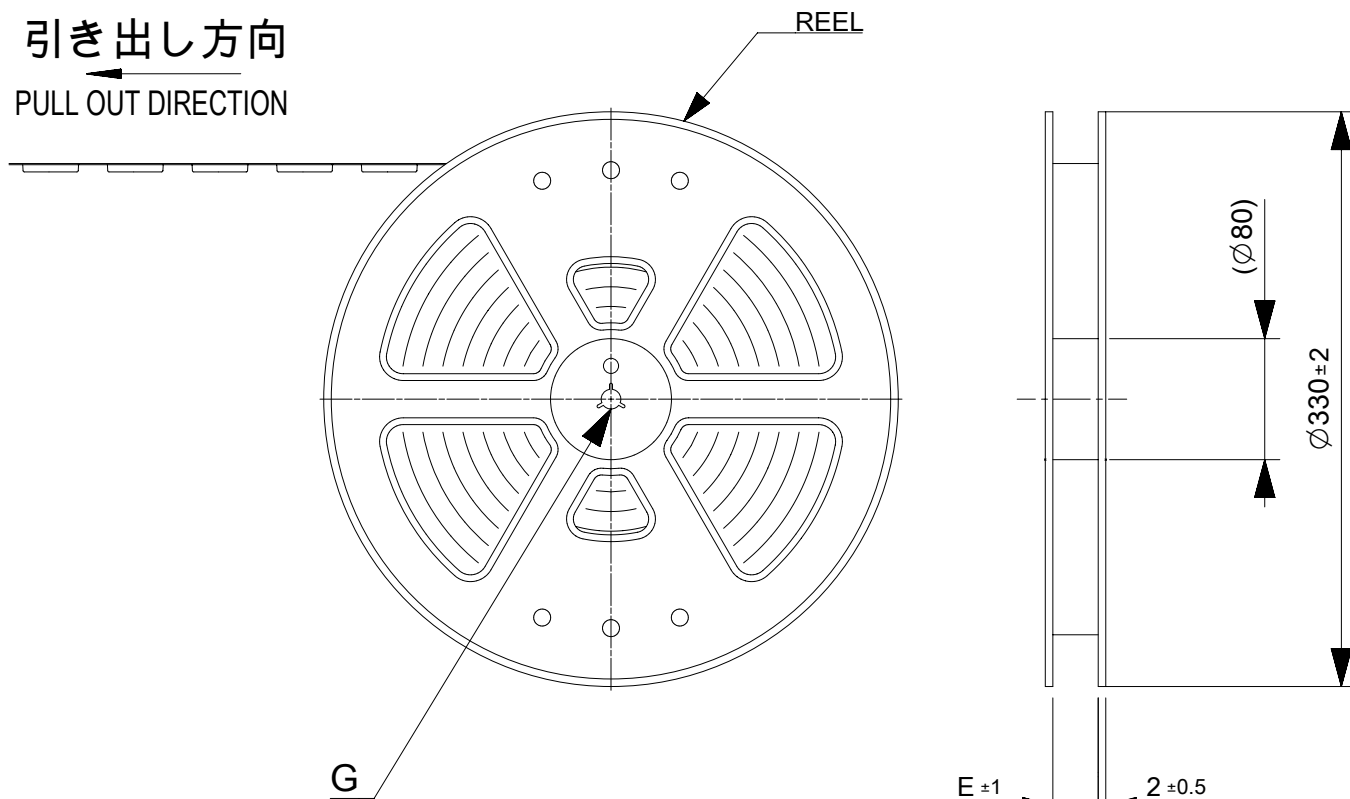
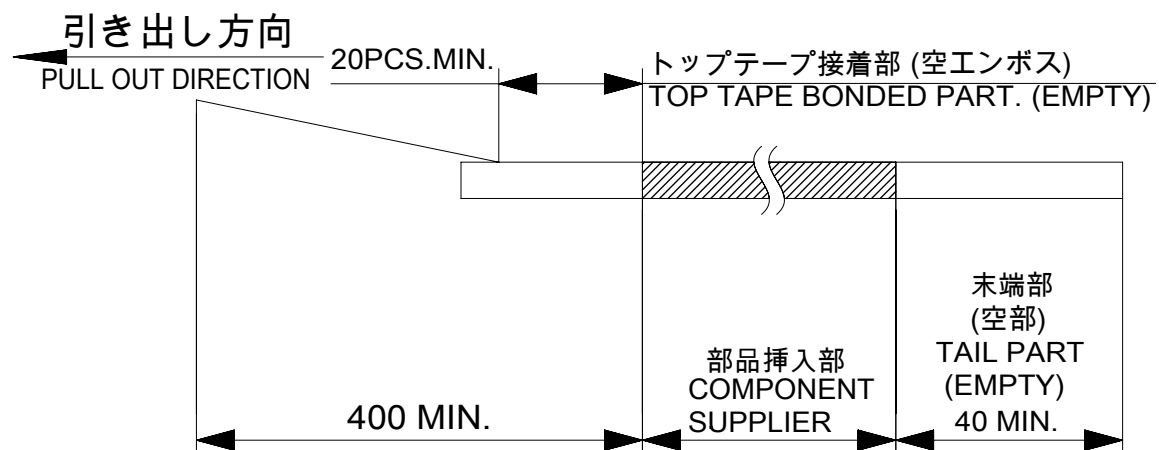


引き出し方向
PULL OUT DIRECTION

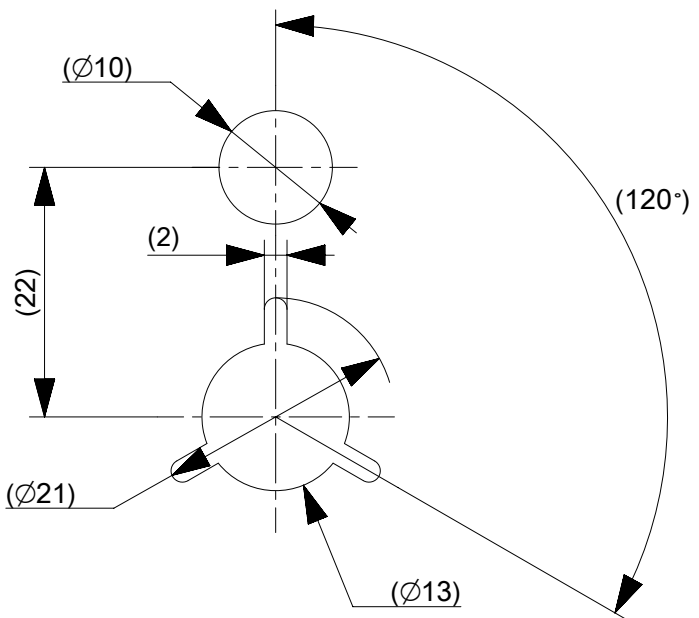


NOTES

- 54132**22 のアクチュエータはハウジング内に押し下げた状態とする。
詳細寸法については図面 54132100(Doc. Part No.: 000) をご参照下さい。
ACTUATOR OF PART NO. 54132**22 SHOULD BE LOCKED .
BE DETAILED DIMENSIONS, SEE 54132100(Doc. Part No.: 000)
- 梱包数量 : 1500個 / リール
NUMBER OF CONNECTORS : 1500 PCS/REEL.
- リードテープ長さ LEAD TAPE LENGTH.

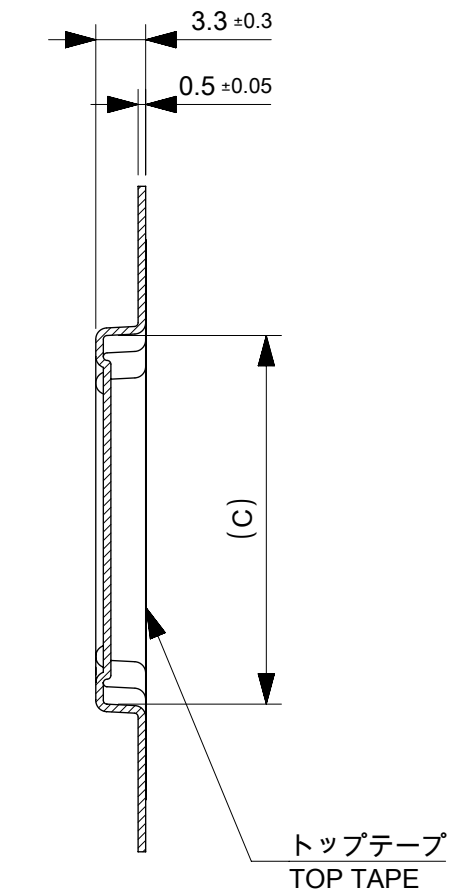


- カバートープの剥離強度については、IEC60286-3に準拠
COVER TAPE PEEL FORCE IS DEDFINED BY IEC 60286-3
- 材料 (MATERIAL)
キャリアテープ (CARRIER TAPE) : ポリスチレン(PS) (POLYSTYRENE)
トップテープ (TOP TAPE) : PS
リール (REEL) : ポリスチレン (POLYSTYLENE)
- ELV及びRoHS適合品
ELV AND RoHS COMPLIANT.

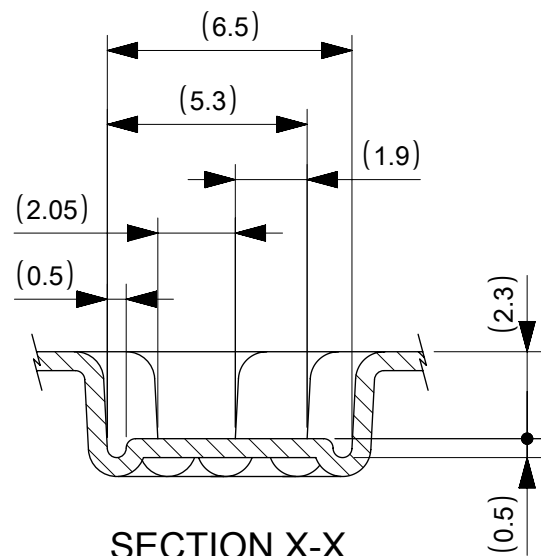
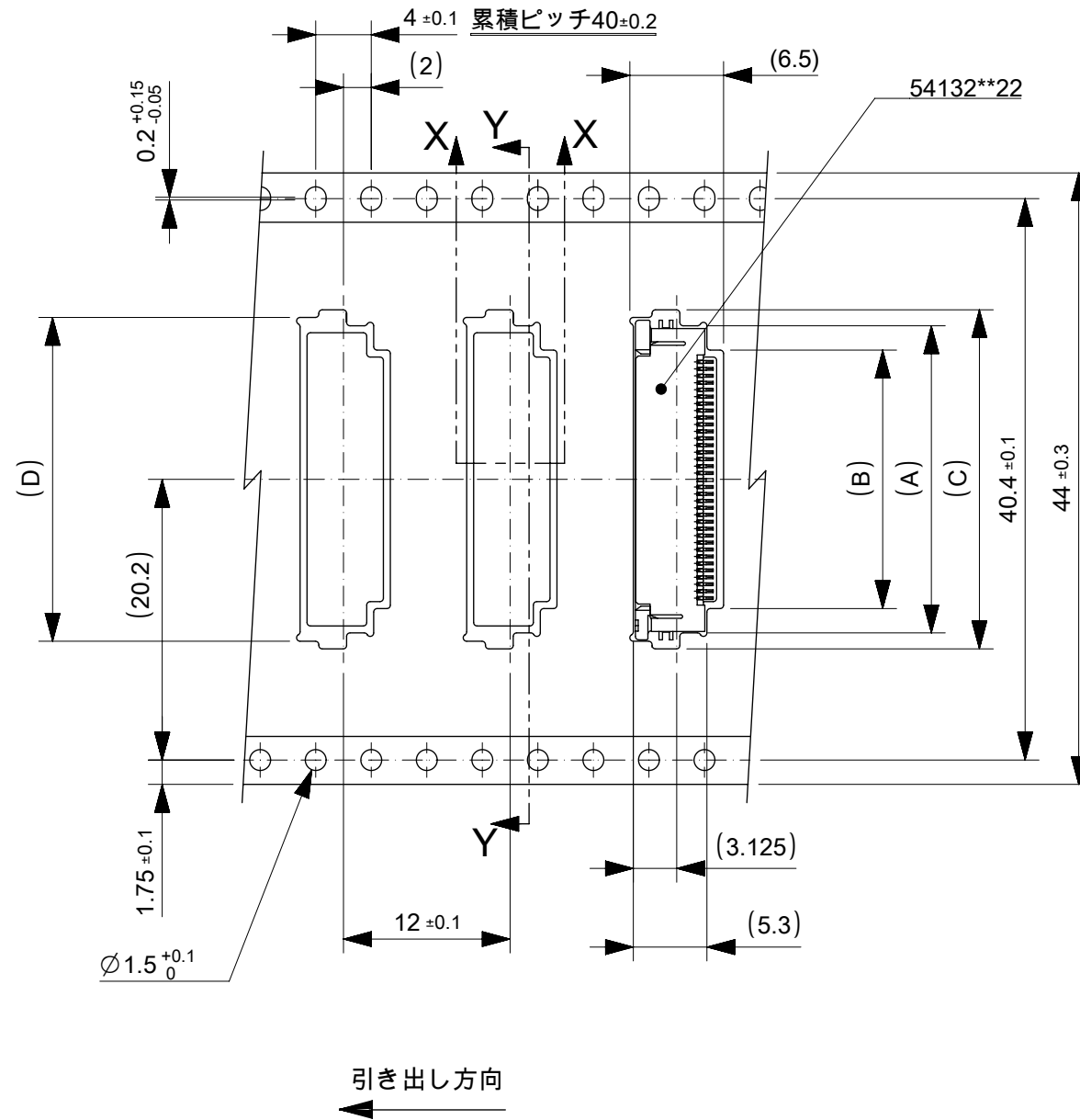


DETAIL G

THIS DRAWING CONTAINS INFORMATION THAT IS PROPRIETARY TO MOLEX ELECTRONIC TECHNOLOGIES, LLC AND SHOULD NOT BE USED WITHOUT WRITTEN PERMISSION									
DIMENSION UNITS	SCALE	CURRENT REV DESC: REMOVED OBSOLETE PART NUMBER AS PER PCN#512672.							
mm	1:1								
GENERAL TOLERANCES (UNLESS SPECIFIED)									
ANGULAR TOL	± °	EMBOSSED TAPE PACKAGED FOR 0.5MM FPC CONN ZIF R/A HOUSING ASSY							
4 PLACES	±	PRODUCT CUSTOMER DRAWING							
3 PLACES	±	DOCUMENT NUMBER							
2 PLACES	±	541320000							
1 PLACE	±	DOC TYPE							
0 PLACES	±	PSD							
DRAFT WHERE APPLICABLE MUST REMAIN WITHIN DIMENSIONS		THIRD ANGLE PROJECTION		DRAWING	SERIES	MATERIAL NUMBER	CUSTOMER	DOC PART	REVISION
				A3-SIZE	54132	SEE CHART	GENERAL	000	A1
									1 OF 2



SECTION Y-Y

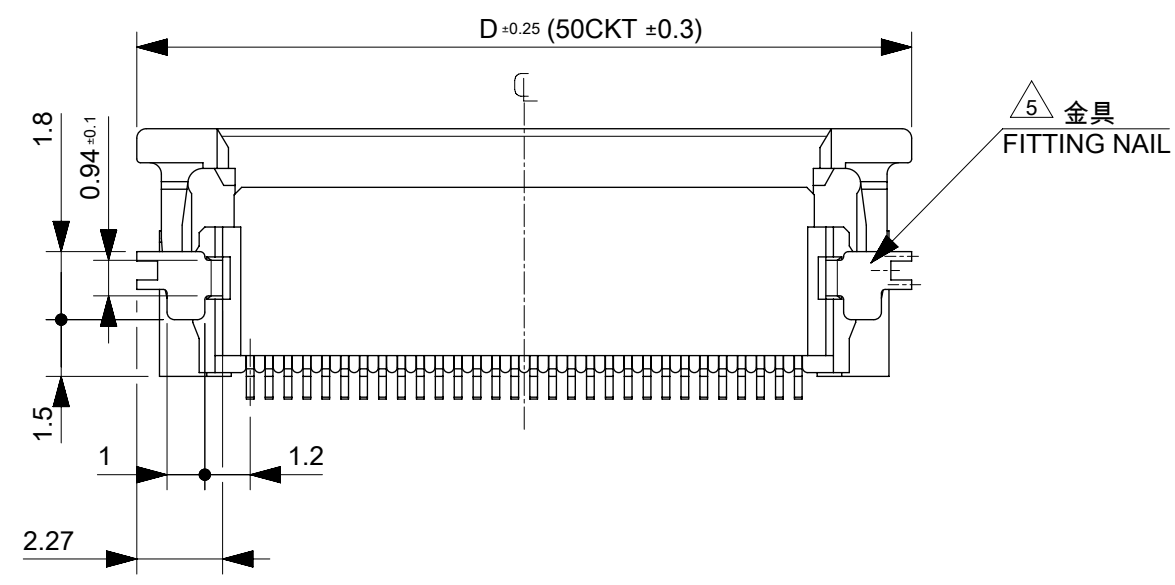
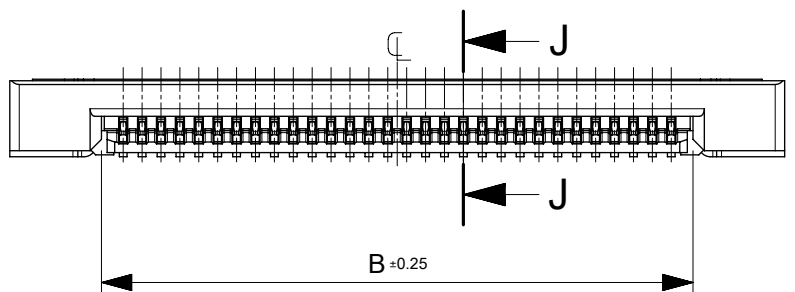
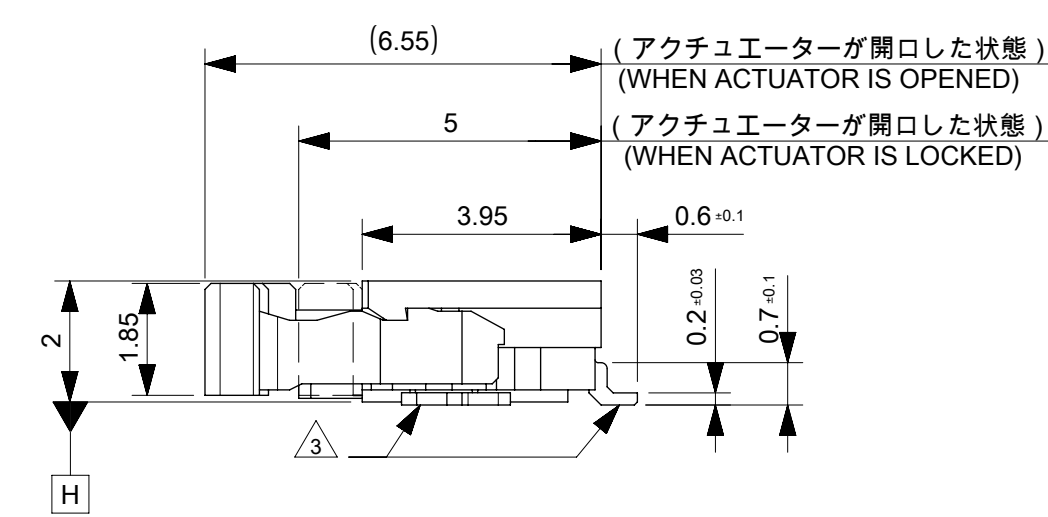
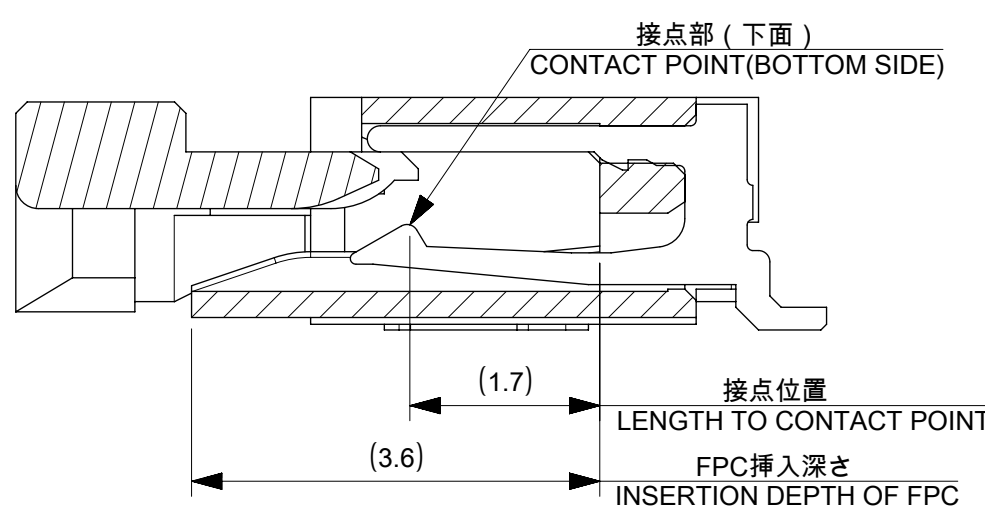
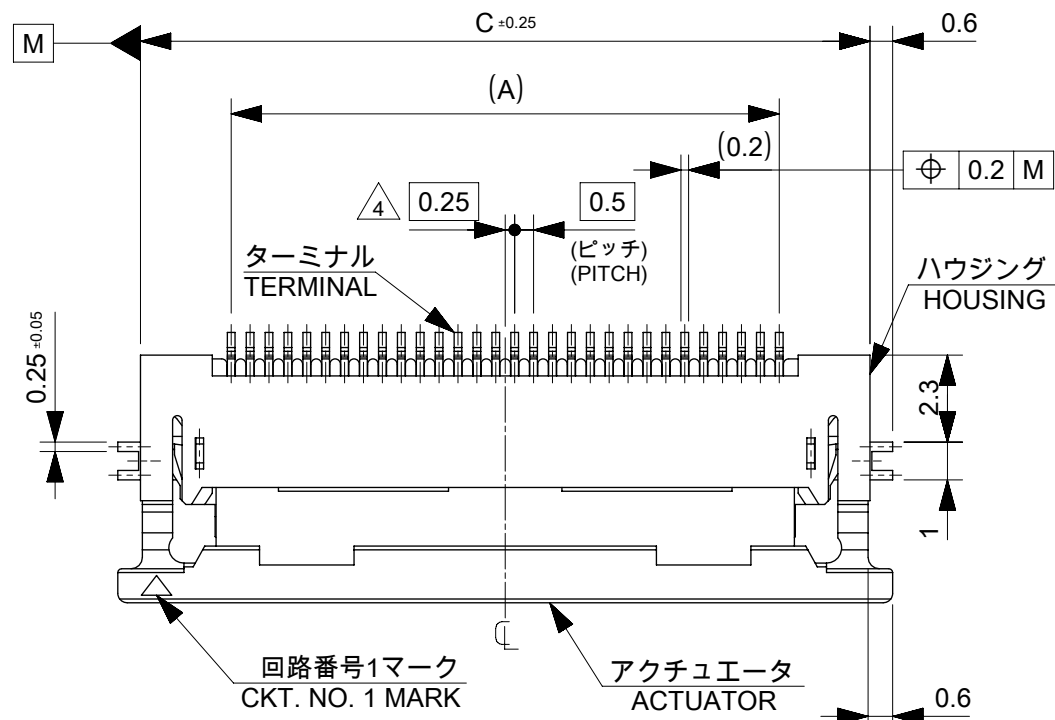


SECTION X-X
(SCALE 5:1)

44	45.5	30.8	31.9	26.1	29.6	541325033	50	
		28.3	29.4	23.6	27.1	541324533	45	
		27.3	28.4	22.6	26.1	541324333	43	
		25.8	26.9	21.1	24.6	541324033	40	
		23.8	24.9	19.1	22.6	541323633	36	
		23.3	24.4	18.6	22.1	541323533	35	
		22.8	23.9	18.1	21.6	541323433	34	
		22.3	23.4	17.6	21.1	541323333	33	
		21.8	22.9	17.1	20.6	541323233	32	
		20.8	21.9	16.1	19.6	541323033	30	
キャリアテープ幅 CARRIER TAPE WIDTH		E	D	C	B	A	MATERIAL NO.	CKT.

THIS DRAWING CONTAINS INFORMATION THAT IS PROPRIETARY TO MOLEX ELECTRONIC TECHNOLOGIES, LLC AND SHOULD NOT BE USED WITHOUT WRITTEN PERMISSION

DIMENSION UNITS	SCALE	CURRENT REV DESC: REMOVED OBSOLETE PART NUMBER AS PER PCN#512672.		molex			
mm	1:1						
GENERAL TOLERANCES (UNLESS SPECIFIED)				EMBOSSSED TAPE PACKAGED FOR 0.5MM FPC CONN ZIF R/A HOUSING ASSY			
ANGULAR TOL	± °			PRODUCT CUSTOMER DRAWING			
4 PLACES	±	EC NO: 724799		DOCUMENT NUMBER			
3 PLACES	±	DRWN: SANTHN	2022/10/25	DOC TYPE			
2 PLACES	±	CHK'D: GGA	2022/11/03	DOC PART			
1 PLACE	±	APPR: GGA	2022/11/03	REVISION			
0 PLACES	±	INITIAL REVISION:		541320000			
DRAFT WHERE APPLICABLE MUST REMAIN WITHIN DIMENSIONS		DRWN: NVELUSAMY	2016/02/18	SEE CHART		GENERAL	
THIRD ANGLE PROJECTION		APPR: TKUSUHARA01	2016/05/24	SERIES		SHEET NUMBER	
A3-SIZE		54132		CUSTOMER		2 OF 2	



注記 NOTES

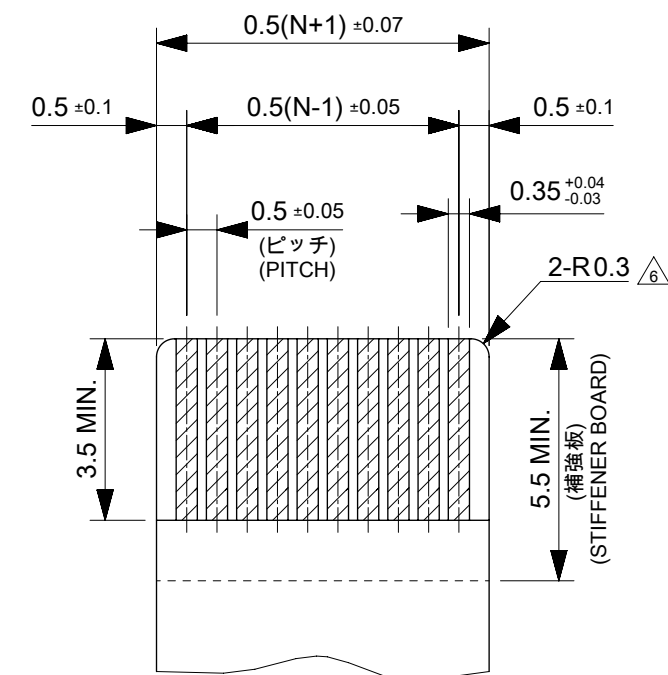
- 材質 MATERIAL
 ハウジング: ポリアミド(PA)、ガラス充填、ナチュラル(白)、UL94V-0
 HOUSING: POLYAMIDE, GLASS FILLED, NATURAL, UL94V-0
 アクチュエータ: ポニフェニレンサルファロイド (PPS)、
 ガラス充填、黒色、UL94V-0
 ACTUATOR: POLYPHENYLENE SULFIDE
 GLASS FILLED, BLACK, UL94V-0
 ターミナル: リン青銅 (t=0.2)
 TERMINAL: PHOSPHOR BRONZE (t=0.2)
 金具: リン青銅 (t=0.2)
 NAIL: PHOSPHOR BRONZE (t=0.2)
- めっき仕様 PLATING
 ターミナル TERMINAL
 錫銀ビスマスめっき (1.0µm以上)
 下地: ニッケルめっき (1.0µm以上)
 TIN SILVER BISMUTH PLATING (1.0 MICROMETER MINIMUM)
 UNDER PLATE: NICKEL PLATING (1.0 MICROMETER MINIMUM)
 金具
 錫めっき (1.0µm以上)
 下地: ニッケルめっき (1.0µm以上)
 TIN PLATING (1.0 MICROMETER MINIMUM)
 UNDER PLATE: NICKEL PLATING (1.0 MICROMETER MINIMUM)
- △3 ソルダータール半田付け面のズレ量、及び金具半田付け面のズレ量は基準面 H に対して上方向0.1MAXIMUM、下方向0.15MAXIMUMとする。
 MISALIGNMENT OF SOLDER TAILS AND FITTING NAILS FROM H
 UPPER DIRECTION: 0.1MAXIMUM
 LOWER DIRECTION: 0.15 MAXIMUM.
- △4 偶数極に適用
 APPLY FOR EVEN CIRCUIT.
- △5 パターンはくり止め用金具
 FITTING NAIL FOR PREVENTION OF PEELING OF P.C.B. PATTERN.
- △6 R0.3はFPCの導体にかからないこと
 R0.3 MUST NOT BE OVERLAPED TO PATTERN OF FPC.
- エンボステーブ梱包時は、アクチュエータがロックした状態とする
 IN THE PACKAGE, ACTUATOR SHOULD BE LOCKED.
- ELV及びRoHS適合品
 ELV AND RoHS COMPLIANT.

30.5	29.3	25.65	24.5	541325033	50
28.0	26.8	23.15	22.0	541324533	45
27.0	25.8	22.15	21.0	541324333	43
25.5	24.3	20.65	19.5	541324033	40
23.5	22.3	18.65	17.5	541323633	36
23.0	21.8	18.15	17.0	541323533	35
22.5	21.3	17.65	16.5	541323433	34
22.0	20.8	17.15	16.0	541323333	33
21.5	20.3	16.65	15.5	541323233	32
20.5	19.3	15.65	14.5	541323033	30
D	C	B	A	EMBOSSED PACKAGE	極数
オーダー番号 ORDER No.					CKT.

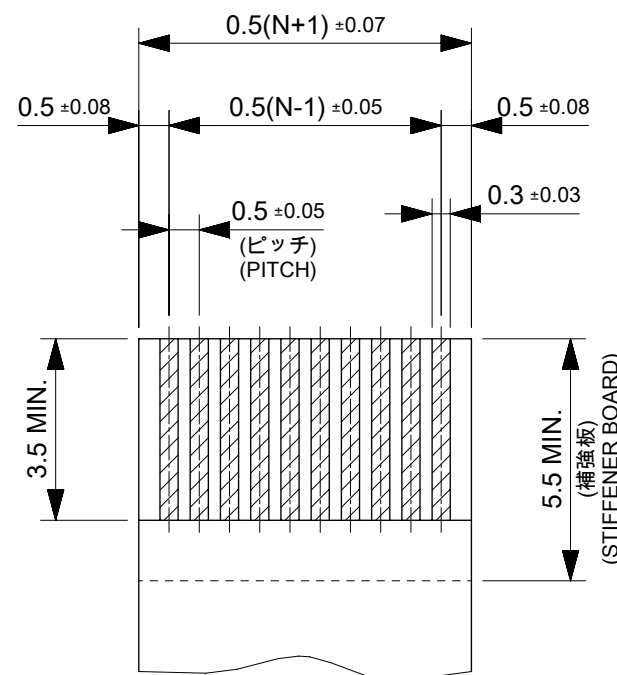
CONNECTOR SERIES NO. : 54132**22

THIS DRAWING CONTAINS INFORMATION THAT IS PROPRIETARY TO MOLEX ELECTRONIC TECHNOLOGIES, LLC AND SHOULD NOT BE USED WITHOUT WRITTEN PERMISSION

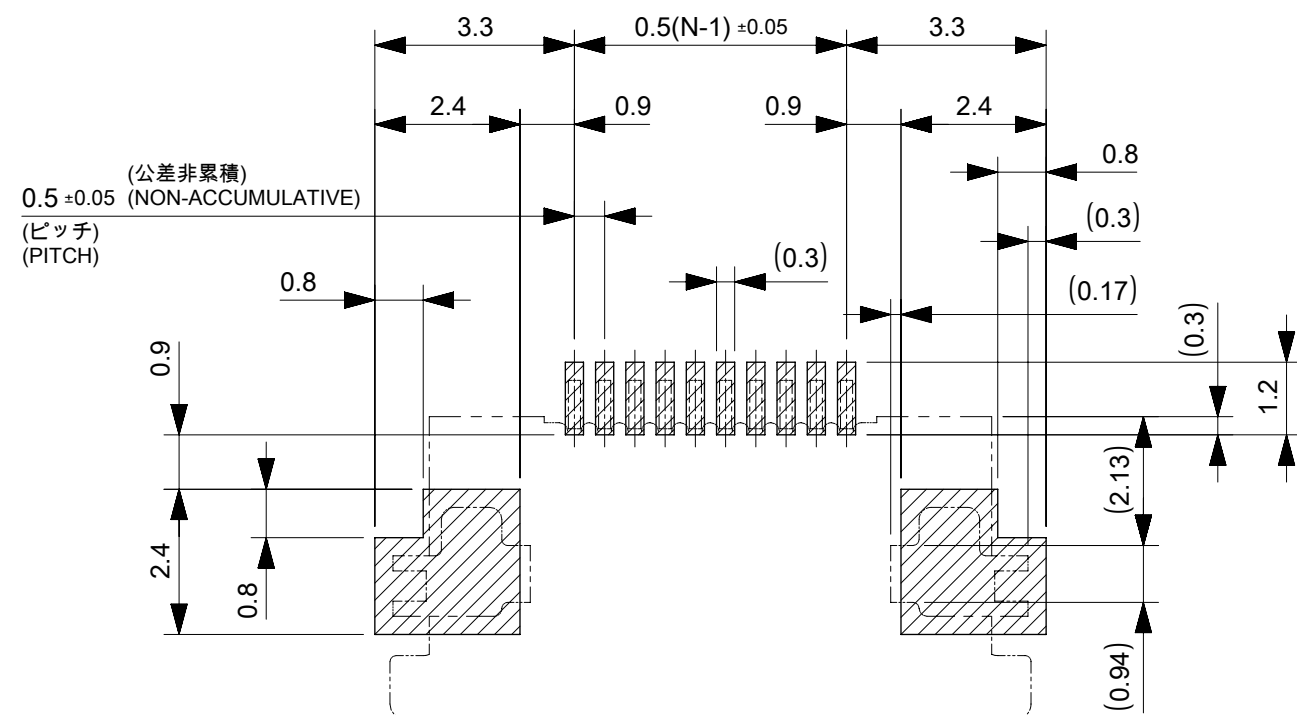
DIMENSION UNITS mm	SCALE 5:1	CURRENT REV DESC: REMOVED OBSOLETE PART NUMBER AS PER PCN#512672.	molex		
GENERAL TOLERANCES (UNLESS SPECIFIED)					
ANGULAR TOL ± 3.0°	4 PLACES ±	EC NO: 724799	PRODUCT CUSTOMER DRAWING		
3 PLACES ±	2 PLACES ± 0.2	DRWN: SANTHN 2022/10/26	DOCUMENT NUMBER		
1 PLACE ± 0.2	0 PLACES ± 0.2	CHK'D: GGA 2022/11/03	DOC TYPE DOC PART REVISION		
DRAFT WHERE APPLICABLE MUST REMAIN WITHIN DIMENSIONS	THIRD ANGLE PROJECTION	APPR: GGA 2022/11/03	541321000 PSD 000 B1		
	DRAWING	INITIAL REVISION:	MATERIAL NUMBER		
	A3-SIZE	DRWN: ABABU01 2016/02/18	CUSTOMER		
		APPR: TKUSUHARA01 2016/05/24	SHEET NUMBER		
			SEE TABLE	GENERAL	1 OF 2



適合 FPC 推奨寸法
APPLICABLE FPC RECOMMENDED DIMENSION
 (仕上がり厚さ : 0.3±0.03)
 (THICKNESS : 0.3±0.03)

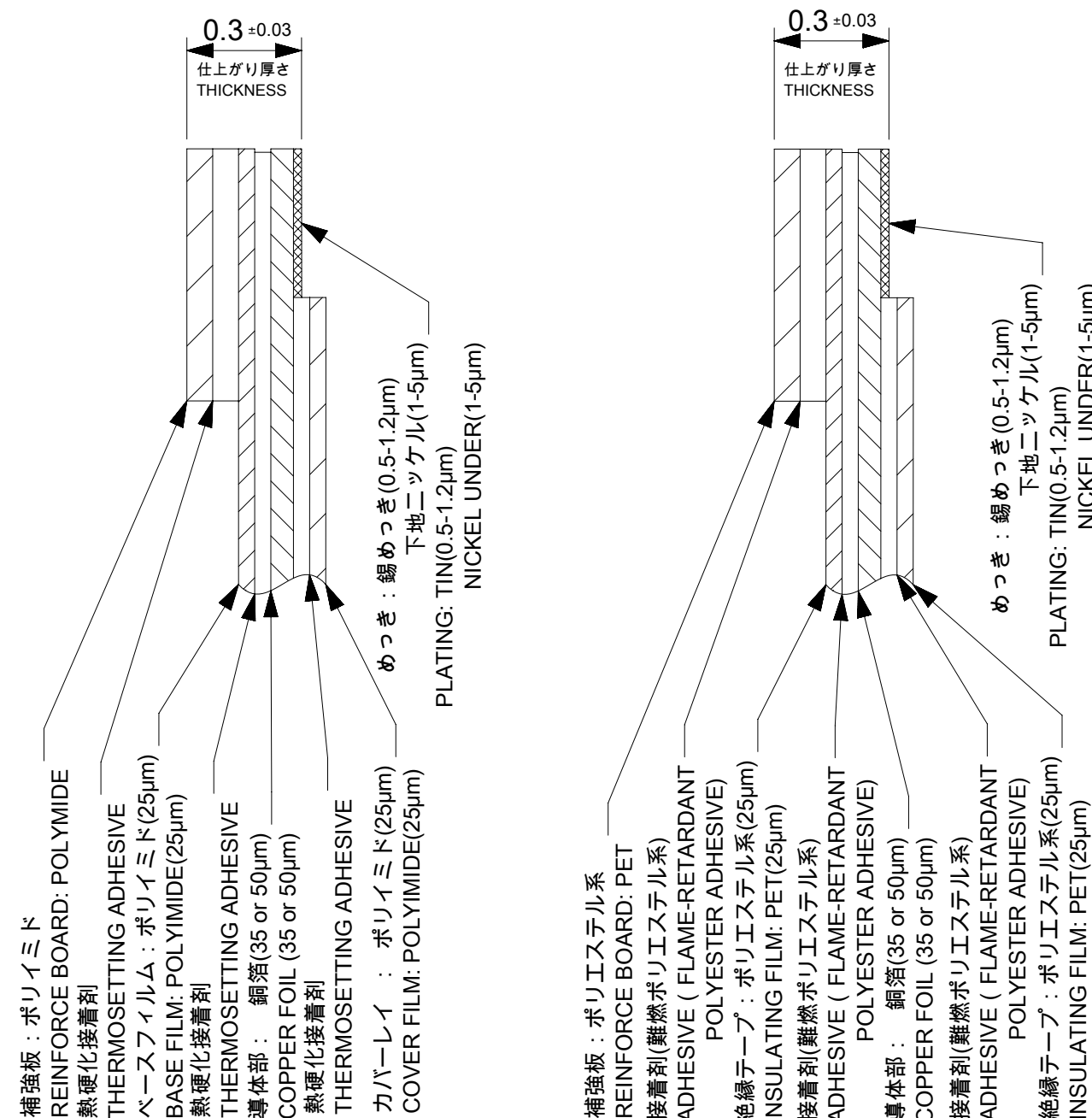


適合 FFC 推奨寸法
APPLICABLE FFC RECOMMENDED DIMENSION
 (仕上がり厚さ : 0.3±0.03)
 (THICKNESS : 0.3±0.03)



推奨基板レイアウト
RECOMMENDED PCB BOARD PATTERN DIMENSION (REF.)
 (マウント面)
 (MOUNTING SIDE)

マスク厚 : 100µm
 マスク開口率 : 100%
 SCREEN THICKNESS : 100 MICROMETER
 SCREEN OPEN RATIO : 100%



FPC構成推奨仕様
RECOMMENDED STRUCTURE OF FPC

FFC構成推奨仕様
RECOMMENDED STRUCTURE OF FFC

FPC/FFCについて:
 抜き方向は、導体側から補強板側を推奨致します。
 尚、接着剤の接点部への付着は導通不良の原因になりますので、
 染み出しが無い様お願い致します。

ABOUT FPC/FFC:
 RECOMMENDED PUNCHER DIRECTION:
 FROM CONDUCTOR SIDE TO STIFFNER SIDE
 PLEASE PUT APPROPRIATE AMOUNT OF ADHESIVE ON ADHEREND
 BECAUSE THERE IS A POSSIBILITY THAT THE EXTRA ADHESIVE
 CAUSES THE DEFECT IN ELECTRICAL CONTINUITY.

THIS DRAWING CONTAINS INFORMATION THAT IS PROPRIETARY TO MOLEX ELECTRONIC TECHNOLOGIES, LLC AND SHOULD NOT BE USED WITHOUT WRITTEN PERMISSION																										
DIMENSION UNITS mm		SCALE 4:1		CURRENT REV DESC: REMOVED OBSOLETE PART NUMBER AS PER PCN#512672.																						
GENERAL TOLERANCES (UNLESS SPECIFIED)				<table border="1"> <tr> <td colspan="3">molex</td> </tr> <tr> <td colspan="3">0.5MM FPC CONN ZIF R/A HOUSING ASSY (LOWER CONTACT)</td> </tr> <tr> <td colspan="3">PRODUCT CUSTOMER DRAWING</td> </tr> <tr> <td>DOCUMENT NUMBER</td> <td>DOC TYPE</td> <td>DOC PART</td> <td>REVISION</td> </tr> <tr> <td>541321000</td> <td>PSD</td> <td>000</td> <td>B1</td> </tr> </table>						molex			0.5MM FPC CONN ZIF R/A HOUSING ASSY (LOWER CONTACT)			PRODUCT CUSTOMER DRAWING			DOCUMENT NUMBER	DOC TYPE	DOC PART	REVISION	541321000	PSD	000	B1
molex																										
0.5MM FPC CONN ZIF R/A HOUSING ASSY (LOWER CONTACT)																										
PRODUCT CUSTOMER DRAWING																										
DOCUMENT NUMBER	DOC TYPE	DOC PART	REVISION																							
541321000	PSD	000	B1																							
ANGULAR TOL ± 3.0°		4 PLACES ±		EC NO: 724799		2022/10/26																				
3 PLACES ±		2 PLACES ± 0.2		DRWN: SANTHN		2022/11/03																				
1 PLACE ± 0.2		0 PLACES ± 0.2		CHK'D: GGA		2022/11/03																				
DRAFT WHERE APPLICABLE MUST REMAIN WITHIN DIMENSIONS		THIRD ANGLE PROJECTION		APPR: GGA		2022/11/03																				
		DRAWING		INITIAL REVISION:		2016/02/18																				
		SERIES		DRWN: ABABU01		2016/05/24																				
		MATERIAL NUMBER		APPR: TKUSUHARA01																						
		CUSTOMER		A3-SIZE		54132																				
		SHEET NUMBER		SEE TABLE		GENERAL		2 OF 2																		