

Surface mount resistors series			Packaging (Standard quantity : pcs/reel)			
Products	Part No.	Size (mm) (inch)	Pressed carrier taping (2 mm pitch)	Punched carrier taping (2 mm pitch)	Punched carrier taping (4 mm pitch)	Embossed carrier taping (4 mm pitch)
Thick film chip resistors	ERJXGN	0402 (01005)	20,000 ^{*1}	—	—	40,000 ^{*2}
	ERJ1GN	0603 (0201)	15,000	—	—	—
	ERJ2GE	1005 (0402)	—	10,000	—	—
	ERJ3GE	1608 (0603)	—	—	5,000	—
	ERJ6GE	2012 (0805)	—	—	5,000	—
	ERJ8GE	3216 (1206)	—	—	5,000	—
	ERJ14	3225 (1210)	—	—	—	5,000
	ERJ12	4532 (1812)	—	—	—	5,000
	ERJ12Z	5025 (2010)	—	—	—	5,000
ERJ1T	6432 (2512)	—	—	—	4,000	
Precision thick film chip resistors	ERJXGN	0402 (01005)	20,000 ^{*1}	—	—	40,000 ^{*2}
	ERJ1GN/1RH	0603 (0201)	15,000	—	—	—
	ERJ2RC/2RH/2RK	1005 (0402)	—	10,000	—	—
	ERJ3RB/3RE/3EK	1608 (0603)	—	—	5,000	—
	ERJ6RB/6RE/6EN	2012 (0805)	—	—	5,000	—
	ERJ8EN	3216 (1206)	—	—	5,000	—
	ERJ14N	3225 (1210)	—	—	—	5,000
	ERJ12N	4532 (1812)	—	—	—	5,000
	ERJ12S	5025 (2010)	—	—	—	5,000
ERJ1TN	6432 (2512)	—	—	—	4,000	
Metal film (Thin film) chip resistors, High reliability type	ERA1A	0603 (0201)	15,000	—	—	—
	ERA2A/2V	1005 (0402)	—	10,000	—	—
	ERA3A/3V/3K	1608 (0603)	—	—	5,000	—
	ERA6A/6V/6K	2012 (0805)	—	—	5,000	—
	ERA8A/8V/8K/8P	3216 (1206)	—	—	5,000	—
Thick film chip resistors/ Low resistance type	ERJ2LW/2BW	1005 (0402)	10,000	—	—	—
	ERJ2BS/2BQ	1005 (0402)	—	10,000	—	—
	ERJ3L/3B/3R/L03	1608 (0603)	—	—	5,000	—
	ERJ6L/6B/6C ERJ6D/6R/L06	2012 (0805)	—	—	5,000	—
	ERJ8B/8C/8R/L08	3216 (1206)	—	—	5,000	—
	ERJ14B/14R/L14	3225 (1210)	—	—	—	5,000
	ERJ12R/L12	4532 (1812)	—	—	—	5,000
	ERJ12Z/L1D	5025 (2010)	—	—	—	5,000
	ERJ1TR	6432 (2512)	—	—	—	4,000
Current sensing resistors, Metal plate type	ERJL1W	6432 (2512)	—	—	—	3,000
	ERJMP2	3216 (1206)	—	—	—	3,000
	ERJMP3	5025 (2010)	—	—	—	3,000
	ERJMP4	6432 (2512)	—	—	—	2,000
	ERJMS4	6432 (2512)	—	—	—	2,000
	ERJMS6	6468 (2526)	—	—	—	1,000 (8mm Pitch)
	ERJMB1	2550 (1020)	—	—	—	3,000
Current sensing resistors, Metal foil type	ERJM1W	6432 (2512)	—	—	—	3,000
	ERJMFBA	1005 (0402)	—	10,000	—	—
High power chip resistors/ Wide terminal type	ERJA1	3264 (1225)	—	—	—	4,000
	ERJB1/ERJC1 ^{*3} ERJD1 ^{*4}	2550 (1020)	—	—	—	5,000
	ERJB2/ERJD2*4	1632 (0612)	—	—	5,000	—
	ERJB3	1220 (0508)	—	—	5,000	—

*1: W8P2 : Width 8 mm, Pitch 2 mm,

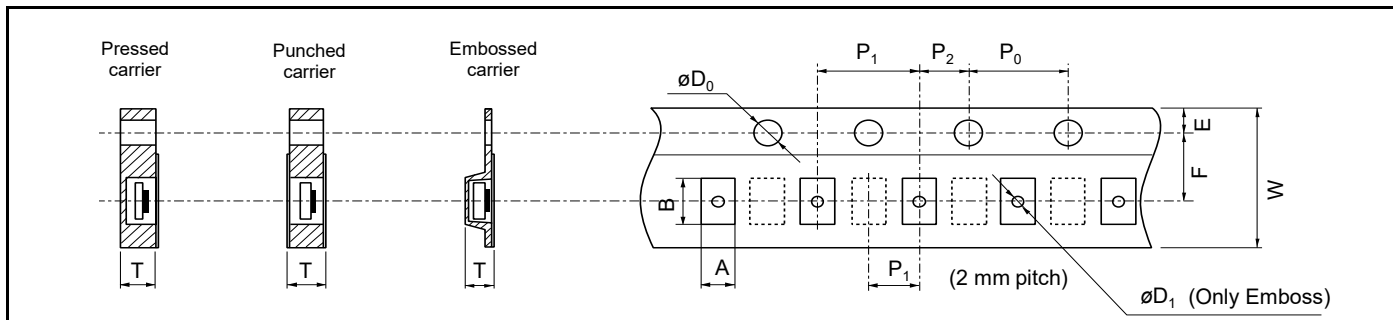
*2: W4P1 : Width 4 mm, Pitch 1 mm

*3: Anti-Sulfurated High power chip resistors / Wide terminal type

*4: Low TCR High power chip Resistors / Wide terminal type

Surface mount resistors series			Packaging (Standard quantity : pcs/reel)			
Products	Part No.	Size (mm) (inch)	Pressed carrier taping (2 mm pitch)	Punched carrier taping (2 mm pitch)	Punched carrier taping (4 mm pitch)	Embossed carrier taping (4 mm pitch)
High precision thick film chip resistors	ERJPB3	1608 (0603)	—	—	5,000	—
	ERJPB6	2012 (0805)	—	—	5,000	—
Anti-Surge Thick film chip resistors	ERJPA2	1005 (0402)	—	10,000	—	—
	ERJP03/PA3	1608 (0603)	—	—	5,000	—
	ERJP06	2012 (0805)	—	—	5,000	—
	ERJP08/PM8	3216 (1206)	—	—	5,000	—
	ERJP14	3225 (1210)	—	—	—	5,000
Anti-Pulse Thick film chip resistors	ERJT06	2012 (0805)	—	—	5,000	—
	ERJT08	3216 (1206)	—	—	5,000	—
	ERJT14	3225 (1210)	—	—	—	5,000
Anti-Sulfurated Thick film chip resistors	ERJU0X	0402 (01005)	20,000	—	—	—
	ERJU01	0603 (0201)	15,000	—	—	—
	ERJS02/U02	1005 (0402)	—	10,000	—	—
	ERJS03/U03	1608 (0603)	—	—	5,000	—
	ERJS06/U06 ERJU6S/U6Q	2012 (0805)	—	—	5,000	—
	ERJS08/U08	3216 (1206)	—	—	5,000	—
	ERJS14/U14	3225 (1210)	—	—	—	5,000
	ERJS12/U12	4532 (1812)	—	—	—	5,000
	ERJS1D/U1D	5025 (2010)	—	—	—	5,000
	ERJS1T/U1T	6432 (2512)	—	—	—	4,000
Anti-Sulfurated Thick film chip resistors / Precision type	ERJU2R	1005 (0402)	—	10,000	—	—
	ERJU3R	1608 (0603)	—	—	5,000	—
	ERJU6R	2012 (0805)	—	—	5,000	—
Anti-Sulfurated Thick film chip resistors / Anti-Surge type	ERJUP3	1608 (0603)	—	—	5,000	—
	ERJUP6	2012 (0805)	—	—	5,000	—
	ERJUP8	3216 (1206)	—	—	5,000	—
High temperature thick film chip resistor	ERJH2G/2C/2R	1005 (0402)	—	10,000	—	—
	ERJH3G/3E/3Q	1608 (0603)	—	—	5,000	—
	ERJH6G/HP6	2012 (0805)	—	—	5,000	—
Chip resistor array	EXB14V	0806 (0302)	—	10,000	—	—
	EXB24V	1010 (0404)	—	10,000	—	—
	EXB34V	1616 (0606)	—	—	5,000	—
	EXBV4V	1616 (0606)	—	—	5,000	—
	EXB18V	1406 (0502)	—	10,000	—	—
	EXB28V	2010 (0804)	—	10,000	—	—
	EXBN8V	2010 (0804)	—	10,000	—	—
	EXB38V	3216 (1206)	—	—	5,000	—
	EXBV8V	3216 (1206)	—	—	5,000	—
	EXBS8V	5022 (2009)	—	—	—	2,500
	EXB2HV	3816 (1506)	—	—	5,000	—
Anti-Sulfurated chip resistor array	EXBU14	0806 (0302)	—	10,000	—	—
	EXBU18	1406 (0502)	—	10,000	—	—
	EXBU24	1010 (0404)	—	10,000	—	—
	EXBU34	1616 (0606)	—	—	5,000	—
	EXBU28	2010 (0804)	—	10,000	—	—
	EXBU38	3216 (1206)	—	—	5,000	—
	EXBU2H	3816 (1506)	—	—	5,000	—
Chip resistor networks	EXBD	3216 (1206)	—	—	5,000	—
	EXBE	4021 (1608)	—	—	—	4,000
	EXBA	6431 (2512)	—	—	—	4,000
	EXBQ	3816 (1506)	—	—	5,000	—
Chip attenuator	EXB14AT	0806 (0302)	—	10,000	—	—
	EXB24AT	1010 (0404)	—	10,000	—	—

Carrier tape



Pressed carrier taping (2 mm Pitch)

● Chip resistors / Precision chip / Metal film(Thin film)chip / Low resistance / Anti-Sulfurated

Unit : mm

Part No.	Size (inch)	A	B	W	F	E	P ₁	P ₂	P ₀	øD ₀	T
ERJXGN ERJU0X	0402 (01005)	0.24±0.03	0.45±0.03	8.00±0.20	3.50±0.05	1.75±0.10	2.00±0.10	2.00±0.05	4.00±0.10	1.50 +0.10/0	0.31±0.05
ERJ1GN ERJ1R□ ERJU01 ERA1A	0603 (0201)	0.38±0.05	0.68±0.05								0.42±0.05
ERJ2LW ERJ2BW	1005 (0402)	0.68±0.10 0.67±0.10	1.20±0.10 1.17±0.10								0.60±0.05 0.61±0.05

Punched carrier taping (2 mm Pitch)

● Chip resistors / Precision chip / Thin film chip / Low resistance / Anti-Surge / Anti-Sulfur / High temperature / Metal foil type

Unit : mm

Part No.	Size (inch)	A	B	W	F	E	P ₁	P ₂	P ₀	øD ₀	T
ERJ2□ ERJPA2 ERJ□□2 ERJ□2□ ERA2□ ERJMFBA	1005 (0402)	0.67±0.05	1.17±0.05	8.00±0.20	3.50±0.05	1.75±0.10	2.00±0.10	2.00±0.05	4.00±0.10	1.50 +0.10/0	0.52±0.05 0.60±0.05

● Chip resistor array / Anti-Sulfurated chip resistor Aarray / Chip attenuator

Unit : mm

Part No.	Size (inch)	A	B	W	F	E	P ₁	P ₂	P ₀	øD ₀	T
EXB14V EXB14AT	0806 (0302)	0.70 +0.10/-0.05	0.95 +0.05/-0.10	8.00±0.20	3.50±0.05	1.75±0.10	2.00±0.10	2.00±0.05	4.00±0.10	1.50 +0.10/0	0.52±0.05
EXB18V	1406 (0502)	1.60±0.10									
EXB24V EXBU24 EXB24AT	1010 (0404)	1.20±0.10									
EXB28V EXBU28 EXBN8V	2010 (0804)	2.20±0.10									

Punched carrier taping (4 mm Pitch)

● Chip resistors / Precision chip / Metal film(Thin film)chip / Low resistance / High power / High precision / Anti-Surge / Anti-Pulse / Anti-Sulfurated / High temperature

Unit : mm

Part No.	Size (inch)	A	B	W	F	E	P ₁	P ₂	P ₀	øD ₀	T
ERJ3□ ERJ3LW(10mΩ) ERJ3BW ERJ□□3 ERJ□3□ ERA3□ ERJ3LW(5mΩ)	1608 (0603)	1.10±0.10	1.90±0.10	8.00±0.20	3.50±0.05	1.75±0.10	4.00±0.10	2.00±0.05	4.00±0.10	1.50 +0.10/0	0.70±0.05
ERJ6□ ERJ□□6 ERJ□6□ ERA6□	2012 (0805)	1.65±0.15	2.50±0.20								0.84±0.05
ERJB3	1220 (0508)										
ERJ6BW ERJ6LW ERJ6CW	2012 (0805)	1.55±0.15	2.30±0.20								0.94±0.05
ERJ8□ ERJ8□W ERJ□□8 ERA8□ ERJB2 ERJD2	3216 (1206) 1632 (0612)	2.00±0.15	3.60±0.20								0.84±0.05

● Chip resistor array / Anti-Sulfurated chip resistor array / Chip resistor networks

Unit : mm

Part No.	Size (inch)	A	B	W	F	E	P ₁	P ₂	P ₀	∅D ₀	T
EXB34V EXBU34	1616 (0606)	1.95±0.15	1.95±0.20	8.00±0.20	3.50±0.05	1.75±0.10	4.00±0.10	2.00±0.05	4.00±0.10	1.50 +0.10/0	0.70±0.05
EXB38V EXBU38	3216 (1206)		3.60±0.20								
EXB2HV EXBU2H	3816 (1506)		4.10±0.15								
EXBV4V	1616 (0606)		1.95±0.20								0.84±0.05
EXBV8V	3216 (1206)		3.60±0.20								
EXBD	3216 (1206)		2.00±0.20								3.60±0.20
EXBQ	3816 (1506)	1.90±0.20	4.10±0.20	0.64±0.05							

Embossed carrier taping (1 mm Pitch)

● Chip resistors

Unit : mm

Part No.	Size (inch)	A	B	W	F	E	P ₁	P ₂	P ₀	∅D ₀	T
ERJXGN	0402 (01005)	0.25±0.05	0.45±0.05	4.00±0.20	1.80±0.05	0.90±0.10	1.00±0.10	1.00±0.10	2.00±0.10	0.80±0.10	0.5 max.

Embossed carrier taping (4 mm Pitch)

● Chip resistors / Precision chip / Low resistance / High power / Anti-Surge / Anti-Pulse / Anti-Sulfurated

Unit : mm

Part No.	Size (inch)	A	B	W	F	E	P ₁	P ₂	P ₀	∅D ₀	T	∅D ₁	
ERJ14□ ERJ□14	3225 (1210)	2.80±0.20	3.50±0.20	8.00±0.30	3.50±0.05	1.75 ±0.10	4.00 ±0.10	2.00 ±0.05	4.00 ±0.10	1.50 +0.10/0	1.00±0.10	1.00 +0.10/0	
ERJ12□ ERJ□12	4532 (1812)	3.50±0.20	4.80±0.20	12.00 ±0.30	5.50±0.20							15 min.	
ERJ12Z ERJ12S ERJ□1D	5025 (2010)	2.80±0.20	5.30±0.20										
ERJB1 ERJC1 ERJD1	2550 (1020)												
ERJ1T□ ERJ□1T	6432 (2512)	3.60±0.20	6.90±0.20										1.60±0.10
ERJL1W													1.10±0.20
ERJA1	3264 (1225)	3.50±0.20	6.80±0.20										1.10±0.20

● Current sensing resistors, Metal plate type

Unit : mm

Part No.	Size (inch)	A	B	W	F	E	P ₁	P ₂	P ₀	∅D ₀	T	∅D ₁										
ERJMP2 (1 mΩ)	3216 (1206)	1.90±0.20	3.50±0.20	8.00±0.30	3.50±0.10	1.75 ±0.10	4.00 ±0.10	2.00 ±0.05	4.00 ±0.10	1.50 +0.10/0	1.55±0.20	—										
ERJMP2 (2 mΩ)	3216 (1206)										1.40±0.20	—										
ERJMP2 (3 to 50 mΩ)	3216 (1206)										1.10±0.20	—										
ERJMP3 (1 to 2 mΩ)	5025 (2010)	2.90±0.20	5.40±0.20	12.00 ±0.30	5.50±0.10						1.75 ±0.10	4.00 ±0.10	2.00 ±0.05	4.00 ±0.10	1.50 +0.10/0	1.55±0.20	—					
ERJMP3 (3 to 50 mΩ)	5025 (2010)															1.15±0.20	—					
ERJMB1	2550 (1020)															1.55±0.20	—					
ERJMP4 (1 to 2 mΩ)	6432 (2512)															1.60±0.20	1.5 min.					
ERJMP4 (3 to 50 mΩ)	6432 (2512)	3.50±0.20	6.90±0.20	12.00 ±0.30	5.50±0.10											1.75 ±0.10	4.00 ±0.10	2.00 ±0.05	4.00 ±0.10	1.50 +0.10/0	1.20±0.20	—
ERJMS4	6432 (2512)																				1.60±0.20	1.5 min.
ERJM1W	6432 (2512)																				1.80±0.20	1.5 min.

● Chip resistor array / Chip resistor networks

Unit : mm

Part No.	Size (inch)	A	B	W	F	E	P ₁	P ₂	P ₀	∅D ₀	T	∅D ₁
EXBS8V	5022 (2009)	2.80±0.20	5.70±0.20	12.00±0.30	5.50±0.20	1.75 ±0.10	4.00 ±0.10	2.00 ±0.05	4.00 ±0.10	1.50 +0.10/0	1.6 max.	1.5 min.
EXBE	4021 (1608)	2.50±0.20	4.40±0.20								1.10±0.20	
EXBA	6431 (2512)	3.50±0.20	6.80±0.20									

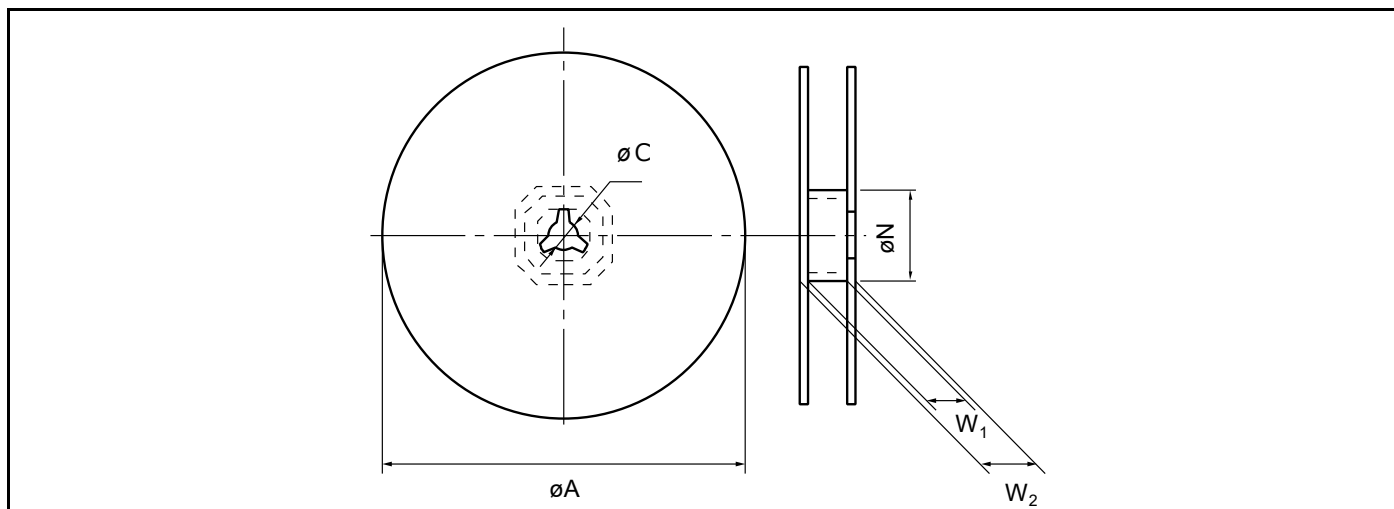
Embossed carrier taping (8 mm Pitch)

● Current sensing resistors, Metal plate type

Unit : mm

Part No.	Size (inch)	A	B	W	F	E	P ₁	P ₂	P ₀	∅D ₀	T	∅D ₁
ERJMS6	6468 (2526)	6.90±0.20	7.50±0.20	12.00 ±0.30	5.50±0.05	1.75 ±0.10	8.00 ±0.10	2.00 ±0.05	4.00 ±0.10	1.50 +0.10/0	2.45±0.20	1.5 min.

Taping reel



Unit : mm

Tape width (W)	Dimensions				
	ϕA	ϕN	ϕC	W_1	W_2
4 mm width	180.0±3.0	60.0+1.0/0	13.0±0.2	4.5±0.5	7.0±0.5
8 mm width	180.0 0/-1.5			9.0+1.0/0	11.4±1.0
12 mm width				13.0+1.0/0	15.4±1.0
24 mm width	380.0±2.0	80.0±1.0		25.4±1.0	29.4±1.0