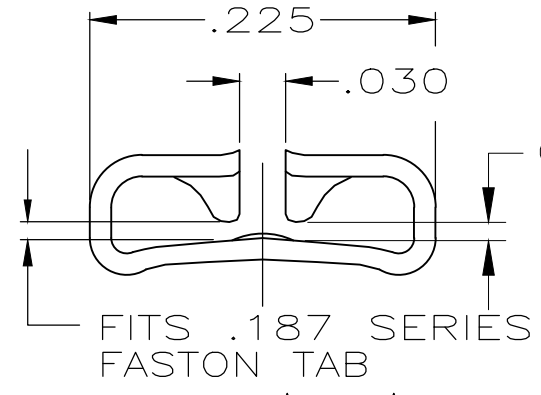
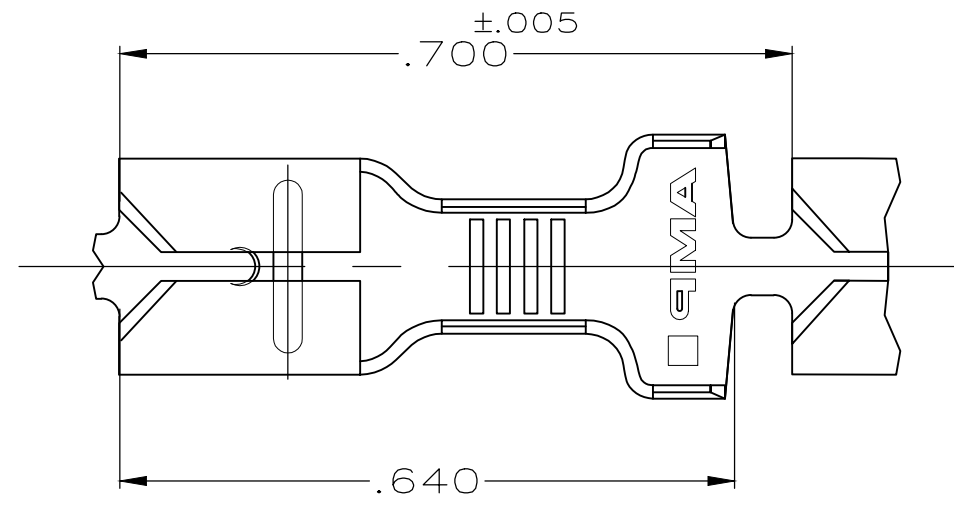


THIS DRAWING IS UNPUBLISHED. RELEASED FOR PUBLICATION
 © COPYRIGHT - By - ALL RIGHTS RESERVED.

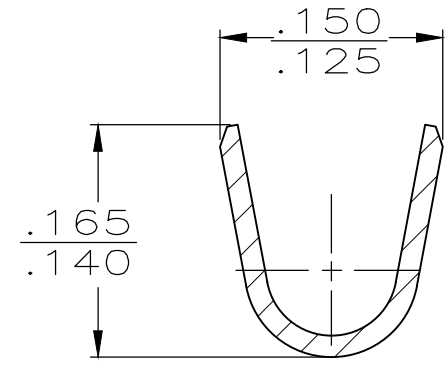
LOC	DIST	REVISIONS			
P	LTR	DESCRIPTION	DATE	DWN	APVD
AF	50	D1	REVISED PER ECR-20-009164	5AUG2020	MK DH

1 CONTINUOUS STRIP ON REELS.

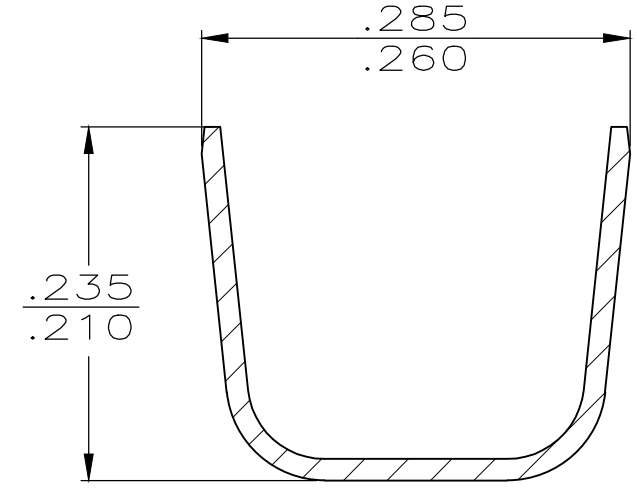
△ 2 FINISH:
 63596-1 PLAIN
 63596-2 PRE-TIN



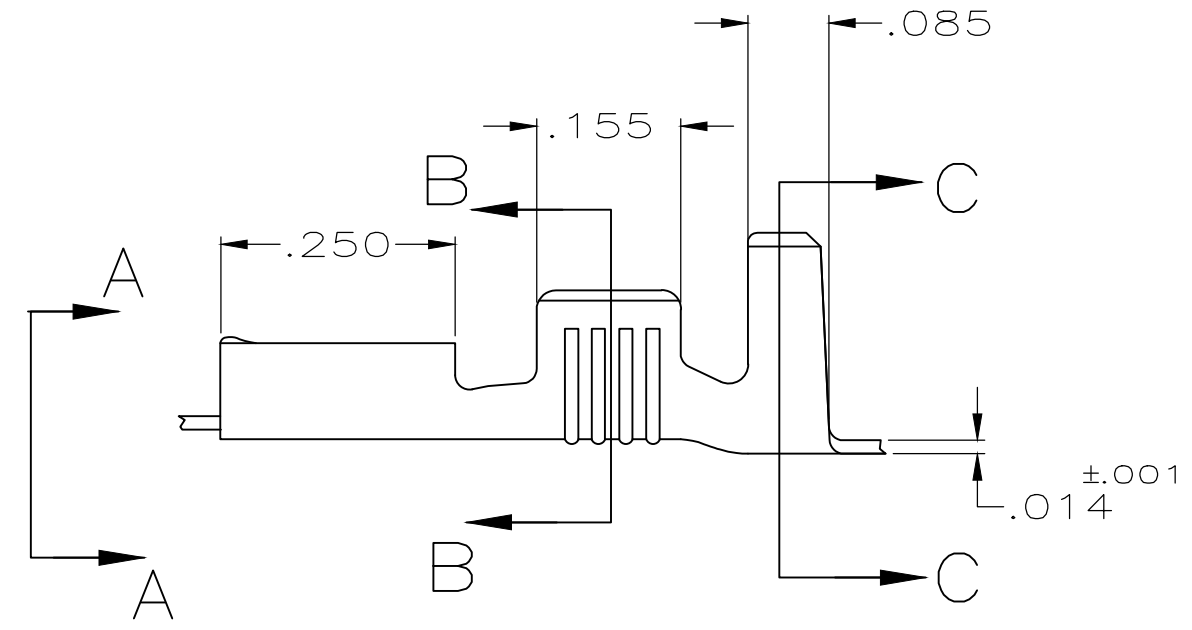
VIEW A-A
SCALE 8:1



SECTION B-B
SCALE 8:1



SECTION C-C
SCALE 8:1



.180 - .230 OR (2) .110 MAX		18-14 OR (2) #16'S		.033-.030		63596-2 63596-1	
INSUL RANGE		WIRE SIZE		MATING TAB THK		PART NO	
THIS DRAWING IS A CONTROLLED DOCUMENT.		DWN JR RUTH 10/4/90		TE Connectivity RECEPTACLE, FASTON,™ .187 SERIES			
DIMENSIONS: INCHES		CHK MS FEHER 10/4/90					
TOLERANCES UNLESS OTHERWISE SPECIFIED:		APVD C MEYERS 10/4/90		NAME			
0 PLC ± -		PRODUCT SPEC		SIZE			
1 PLC ± -		APPLICATION SPEC		CAGE CODE			
2 PLC ± -		WEIGHT		DRAWING NO			
3 PLC ± .010		CUSTOMER DRAWING		RESTRICTED TO			
4 PLC ± -		SCALE 5:1		SHEET 1 OF 1			
ANGLES ± -		SCALE 5:1		REV D1			
FINISH △ 2		SCALE 5:1		REV D1			
MATERIAL BRASS		SCALE 5:1		REV D1			