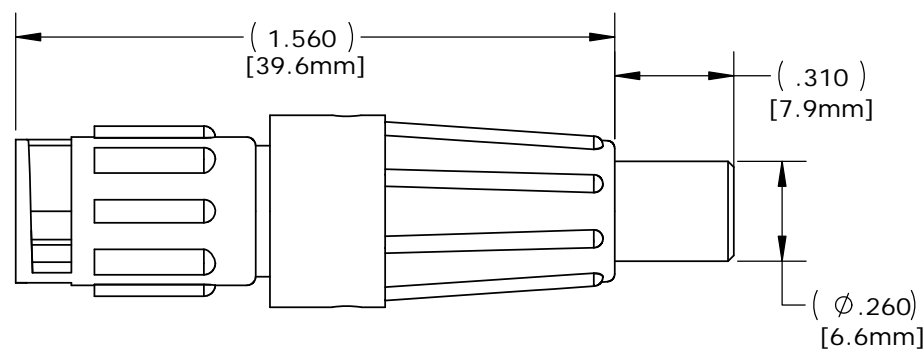
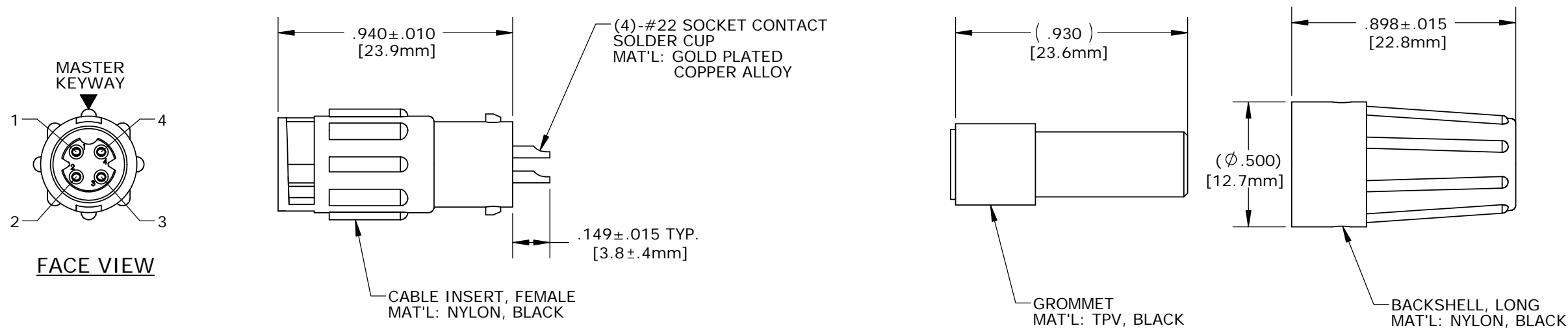


NOTES:

1. PARTS ARE TO BE BULK PACKED.
2. CONTACTS ARE ASSEMBLED INTO CONNECTOR.
3. PARENTHESIS () INDICATE REFERENCE DIMENSION.
4. BRACKETS [] INDICATE METRIC DIMENSIONS.

ASS'Y P/N	CABLE O.D.
18882-4SG-518	0.175 - 0.185 [4.4-4.7]
18882-4SG-521	0.205 - 0.215 [5.2-5.5]
18882-4SG-522	0.215 - 0.225 [5.5-5.7]

GROMMET SIZE



CUSTOMER APPROVAL

THIS DOCUMENT CONTAINS CONFIDENTIAL INFORMATION PROPRIETARY TO CONXALL CORPORATION. ANY REPRODUCTION, DISCLOSURE, OR USE OF THIS DOCUMENT /INFORMATION IS EXPRESSLY PROHIBITED UNLESS AUTHORIZED IN WRITING BY CONXALL CORPORATION.

APPROVED BY: _____

DATE: _____

RoHS COMPLIANT

REV.	INIT.	DATE	DESCRIPTION
D	MA	08-16-18	UPDATED MFG DRAWING PER ECR 9211-4
C	AN	01-13-14	DRAWING NO. WAS 18882-4SG-XXX, REMOVED SHORT BACKSHELL ASSEMBLIES, ADDED TOLERANCE AND MATERIALS. PER ECR 8074
B	PD	09-01-11	UPDATE MANUFACTURING DRAWING PER ECR 7959
		07-21-10	CHANGED CONTACT SOLDER BARREL FROM 20AWG TO 22AWG
A	PAK	04-01-10	DRAWING CREATED PER DOR 06-E168CS

<small>ALL INFORMATION ILLUSTRATED IS THE PROPERTY OF CONXALL CORPORATION. UNAUTHORIZED DUPLICATION OR DISTRIBUTION OF THIS DOCUMENT IS PROHIBITED.</small>	ORIG. DRAWN BY: PAK DATE: 03-24-10	<p>601 E. WILDWOOD VILLA PARK, IL 60181</p>
	CHECKED BY: _____	
<small>ALL UNITS ARE IN FEET, INCHES, FRACTION OF INCHES AND DECIMALS.</small>	APPROVED BY: _____	TITLE: IN-LINE CONNECTOR KIT (4) #22 SOCKET CONTACT, SOLDER MICRO-CON-X STANDARD PRODUCT
	SCALE: NTS SIZE: B SHEET: 1 OF 1	FILE: 18882-4SG-5XX DIRECTORY: SLW