

Bellows suction cups (round)

SPB1 60 ED-65 G1/4-AG

Part no...:10.01.06.03502

<https://www.schmalz.com/10.01.06.03502>

Home > Vacuum Technology for Automation > Vacuum Components > Vacuum Suction Cups > Suction Cups for the Packaging Industry > Bellows Suction Cups SPB1 (1.5 Folds) > SPB1 60 ED-65 G1/4-AG

Bellows suction cup (round) for very uneven workpieces



Size: 60

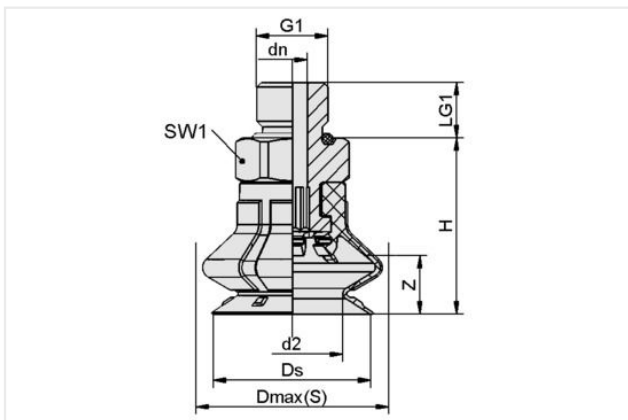
Suction cup material: Elastodur

Material hardness [Shore A]: 65 Shore A

Thread G1: G1/4"-M

Number of folds: 1.5

Design Data



Attribute	Value
d2	38.60 mm
dn	6.10 mm
Dmax(S)	69.60 mm
Ds	61.40 mm
G1	G1/4"-M
H	43.20 mm
LG1	10 mm
SW1	17 mm
Z (Stroke)	22 mm

Technical Data

Attribute	Value
Suction force (-600mbar)	78 N
Pull-off force	100.90 N
Lateral force	49.40 N
Volume	49.24 cm ³
Curve radius (min) (convex)	100 mm
Hose diameter (empf.) d	6 mm
Size	60
Number of folds	1.50

Contact Schmalz

Schmalz Inc. | 5850 Oak Forest Drive, Raleigh, NC 27616, United States | +1 (919) 713-0880 | schmalz.us@schmalz.com

Bellows suction cups (round)

SPB1 60 ED-65 G1/4-AG

Part no.:10.01.06.03502

<https://www.schmalz.com/10.01.06.03502>

Suction cup material	Elastodur
Material hardness [Shore A]	65 Shore A
Weight	33.20 g
Product family	SPB1

Accessories



SIEB 17.5x0.8 MS-A2 280 0.28/0.16

Part no.:10.07.01.00308

External diameter D: 17.5 mm

Length L: 0.8 mm

Material: Brass / Stainless steel

Filter pore size: 280 µm

Spare parts



SC 050 G1/4-AG MOD

Part no.:10.01.06.02487

Connection geometry: 050

Connection: G1/4"-M

Length L1: 26.5 mm

Fitting length: 7.2 mm

Nominal diameter dn: 6.1 mm

Bellows suction cups (round)

SPB1 60 ED-65 G1/4-AG

Part no...:10.01.06.03502

<https://www.schmalz.com/10.01.06.03502>



SPB1 60 ED-65 SC050

Part no...:10.01.06.02457

Size: 60

Suction cup material: Elastodur

Material hardness [Shore A]: 65 Shore A

Number of folds: 1.5