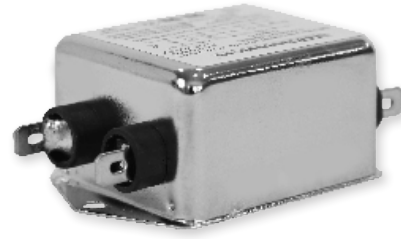


092(M)

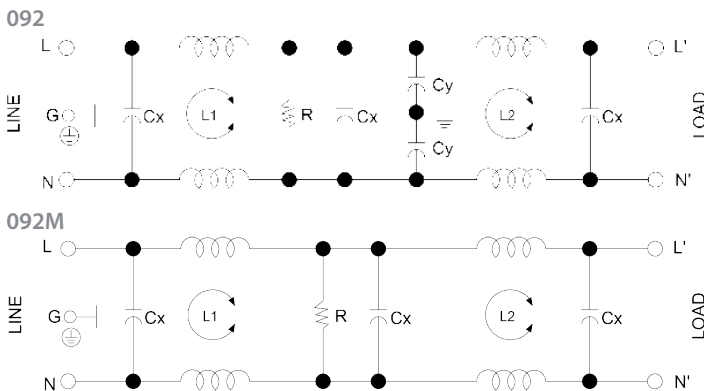
HIGH PERFORMANCE SINGLE PHASE DOUBLE STAGE (GENERAL PURPOSE & MEDICAL)

FEATURES

- » Rated currents include **1A, 3A, 4A, 6A, 7A, 8A, 10A, 15A, 16A, 20A, and 30A**
- » Double Stage
- » Available with quick disconnect tabs, wire leads and studs options
- » General Purpose & Low Leakage (M)edical options
- » High performance design
- » Easy to use and install
- » Agency Approved to *UL and EN 60939, CSA C22.2*
- » Y-cap value can be adjusted

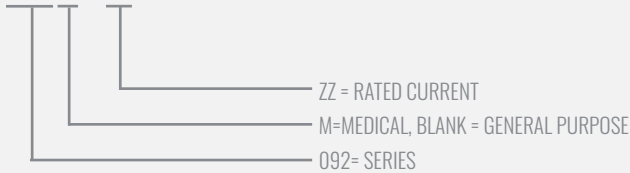


ELECTRICAL SCHEMATIC



HOW TO ORDER

092M.0ZZ21.00



NOTE: USE ANY COMBINATOR OF **M** AND **ZZ**
E.G. **092.00321.00** (3A GENERAL PURPOSE VERSION) | **092M.00321.00** (3A LOW LEAKAGE MEDICAL VERSION)

SPECIFICATIONS

| | |
|------------------------|--|
| OPERATING FREQUENCY | 50/60Hz |
| MAX. OPERATING VOLTAGE | 250VAC +10% |
| CLIMATIC CATEGORY | 25/85/21 |
| TERMINALS (-T) | 0.25" TABS W: WIRE LEADS S: STUDS (M4 - 1-20A) (M6 - 30A) |
| TYP. WEIGHT, LBS (KG) | 0.28 (0.12) |

TYPICAL LEAKAGE CURRENT 092

| | |
|-----------------|------------------|
| @ 250 VAC 50 Hz | 0 - 0.89 mA Max. |
| @ 115 VAC 60 Hz | 0 - 0.49 mA Max. |

TYPICAL LEAKAGE CURRENT 092M

| | |
|-----------------|---------------|
| @ 250 VAC 50 Hz | 0 - 10uA Max. |
| @ 115 VAC 60 Hz | 0 - 5uA Max. |

HIPOT RATINGS

| | |
|----------------|----------|
| LINE TO LINE | 1450 VDC |
| LINE TO GROUND | 2250 VDC |

TYPICAL APPLICATIONS

- ✓ Household appliances and equipment
- ✓ Small medical equipment
- ✓ Portable electrical and electronic equipment
- ✓ Test and measurement/lab equipment
- ✓ Rack mounted equipment

092(M)

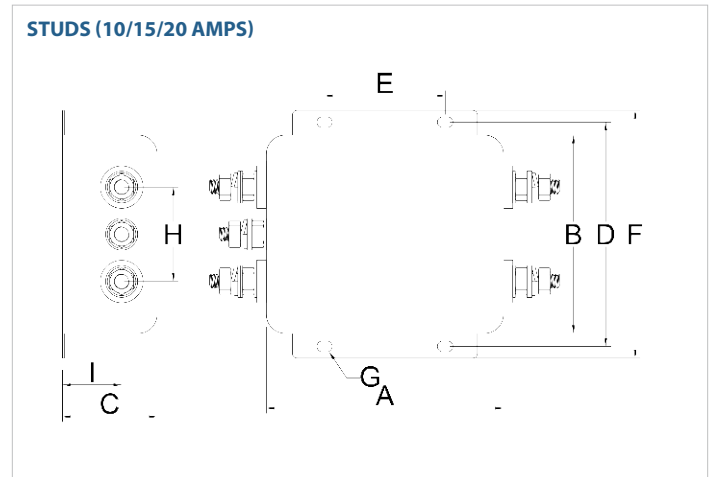
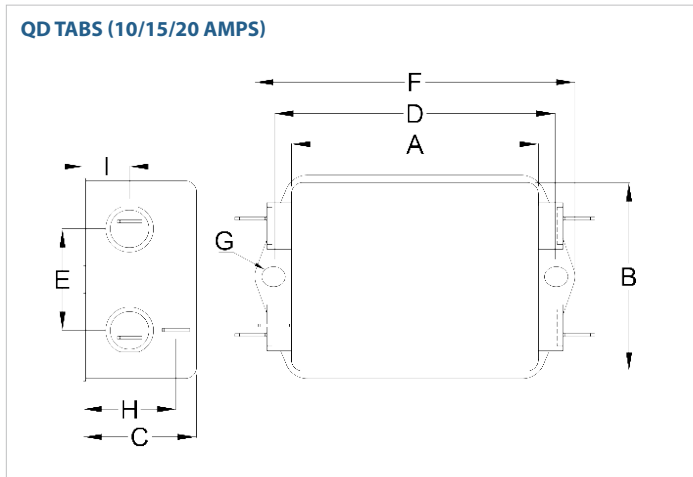
HIGH PERFORMANCE SINGLE PHASE DOUBLE STAGE (GENERAL PURPOSE & MEDICAL)

| MODEL NO. | RATED CURRENT, A @ 40° C | TERMINAL OPTIONS | | | APPLICATION PURPOSE | | MAX. DIMENSIONS" (MM) | | |
|---------------|--------------------------|--------------------|-------------------|-------------------|---------------------|---------|-----------------------|------------|-----------|
| | | (QD) INPUT/ OUTPUT | (W) INPUT/ OUTPUT | (S) INPUT/ OUTPUT | GENERAL | MEDICAL | WIDTH | (LENGTH) | HEIGHT |
| 092.00121.00 | 1 | ✓ | ✓ | | ✓ | | 2.01"(51) | 2.05"(52) | 1.14"(29) |
| 092.00321.00 | 3 | ✓ | ✓ | | ✓ | | 2.01"(51) | 2.05"(52) | 1.14"(29) |
| 092.00423.00 | 4 | ✓ | ✓ | | ✓ | | 2.05"(52) | 2.49"(63) | 1.50"(38) |
| 092.00623.00 | 6 | ✓ | ✓ | | ✓ | | 2.05"(52) | 2.49"(63) | 1.50"(38) |
| 092.00721.00 | 7 | ✓ | ✓ | | ✓ | | 2.01"(51) | 2.05"(52) | 1.14"(29) |
| 092.00823.00 | 8 | ✓ | ✓ | | ✓ | | 2.28"(58) | 3.64"(93) | 1.61"(41) |
| 092.01021.00 | 10 | ✓ | ✓ | | ✓ | | 2.28"(58) | 3.64"(93) | 1.61"(41) |
| 092.01023.00 | 10 | ✓ | ✓ | | ✓ | | 2.28"(58) | 3.64"(93) | 1.61"(41) |
| 092.01521.00 | 15 | ✓ | ✓ | | ✓ | | 2.05"(52) | 2.49"(63) | 1.50"(38) |
| 092.01623.00 | 16 | ✓ | ✓ | | ✓ | | 2.28"(58) | 3.64"(93) | 1.61"(41) |
| 092.02021.00 | 20 | ✓ | ✓ | | ✓ | | 2.28"(58) | 3.64"(93) | 1.61"(41) |
| 092.02023.00 | 20 | ✓ | ✓ | | ✓ | | 2.28"(58) | 3.64"(93) | 1.61"(41) |
| 092.03021.00 | 30 | ✓ | ✓ | ✓ | ✓ | | 2.28"(84) | 3.64"(100) | 1.61"(57) |
| 092M.00121.00 | 1 | ✓ | ✓ | | | ✓ | 3.31"(84) | 3.94"(100) | 1.57"(40) |
| 092M.00321.00 | 3 | ✓ | ✓ | | | ✓ | 3.31"(84) | 3.94"(100) | 1.57"(40) |
| 092M.00721.00 | 7 | ✓ | ✓ | | | ✓ | 3.31"(84) | 3.94"(100) | 1.57"(40) |
| 092M.01021.00 | 10 | ✓ | ✓ | | | ✓ | 3.31"(84) | 3.94"(100) | 1.57"(40) |
| 092M.01521.00 | 15 | ✓ | ✓ | | | ✓ | 2.05"(52) | 2.49"(63) | 1.50"(38) |
| 092M.02021.00 | 20 | ✓ | ✓ | | | ✓ | 3.31"(84) | 3.94"(100) | 1.57"(40) |
| 092M.03021.00 | 20 | ✓ | ✓ | | | ✓ | 3.31"(84) | 3.94"(100) | 1.57"(40) |

092(M)

HIGH PERFORMANCE SINGLE PHASE DOUBLE STAGE (GENERAL PURPOSE & MEDICAL)

092(M) MECHANICAL OUTLINES (MM)



| SERIES | (A) | B | C | D | E | F | G | H | I |
|-------------------------------|----------------|---------------|---------------|----------------|---------------|----------------|-----------|---------------|---------------|
| QD TABS (1/3/7 A) | 2.05" (52) | 2.01" (51) | 1.14" (29) | 2.40" (61) | 0.79" (20) | 2.80" (71) | 2-5.3*6.3 | 0.87" (22) | 0.55" (14) |
| QD TABS (4/6/15 A) | 2.49" (63) | 2.05" (52) | 1.50" (38) | 2.95" (75) | 0.98" (25) | 3.35" (85) | 2*4.8 | 1.08" (28) | 0.48" (12) |
| QD TABS (8/10/16/20 A) | 3.64" (93) | 2.28" (58) | 1.61" (41) | 4.13" (105) | 1.18" (30) | 4.53" (115) | 2-5.3*6.3 | 1.14" (29) | 0.51" (13) |
| QD TABS (10 A) | 2.56" (65) | 2.17" (55) | 1.18" (30) | 2.95" (75) | 1.06" (27) | 3.35" (85) | 2-5.3*6.3 | 0.77" (20) | 0.48" (12) |
| STUDS (30 A) | 3.64" (100) | 2.28" (84) | 1.61" (57) | 4.13" (95) | 1.18" (51) | 4.53" (105) | 4-4.5*6.5 | 1.14" (44) | 0.51" (37) |

TYPICAL TOLERANCE: +/-0.02" (0.50MM)

TYPICAL INSERTION LOSS, dB (50/50 Ohm)

092 INSERTION LOSS

| Amps | Freq (MHz) | 0.15 | 0.5 | 1 | 10 | 30 |
|----------|------------|------|------|------|------|------|
| 1 | CM (dB) | 80.0 | 80.0 | 80.0 | 78.0 | 65.0 |
| | DM (dB) | 20.0 | 70.0 | 50.0 | 70.0 | 60.0 |
| 3 | CM (dB) | 55.0 | 80.0 | 76.0 | 55.0 | 45.0 |
| | DM (dB) | 20.0 | 70.0 | 50.0 | 70.0 | 60.0 |

092(M)

HIGH PERFORMANCE SINGLE PHASE DOUBLE STAGE (GENERAL PURPOSE & MEDICAL)

| Amps | Freq (MHz) | 0.15 | | | | | 0.5 | | | | | 1 | | | | | 10 | | | | | 30 | | | | |
|------|------------|---------|---------|---------|---------|---------|---------|---------|---------|---------|---------|---------|---------|---------|---------|---------|---------|---------|---------|--|--|----|--|--|--|--|
| | | CM (dB) | DM (dB) | CM (dB) | DM (dB) | CM (dB) | DM (dB) | CM (dB) | DM (dB) | CM (dB) | DM (dB) | CM (dB) | DM (dB) | CM (dB) | DM (dB) | CM (dB) | DM (dB) | CM (dB) | DM (dB) | | | | | | | |
| 7 | CM (dB) | 45.0 | 70.0 | 80.0 | 60.0 | 60.0 | | | | | | | | | | | | | | | | | | | | |
| | DM (dB) | 20.0 | 70.0 | 50.0 | 70.0 | 60.0 | | | | | | | | | | | | | | | | | | | | |
| 10 | CM (dB) | 30.0 | 65.0 | 79.0 | 66.0 | 57.0 | | | | | | | | | | | | | | | | | | | | |
| | DM (dB) | 23.0 | 45.0 | 60.0 | 55.0 | 60.0 | | | | | | | | | | | | | | | | | | | | |
| 15 | CM (dB) | 20.0 | 55.0 | 70.0 | 80.0 | 70.0 | | | | | | | | | | | | | | | | | | | | |
| | DM (dB) | 23.0 | 45.0 | 50.0 | 55.0 | 60.0 | | | | | | | | | | | | | | | | | | | | |
| 20 | CM (dB) | 20.0 | 55.0 | 70.0 | 80.0 | 62.0 | | | | | | | | | | | | | | | | | | | | |
| | DM (dB) | 30.0 | 60.0 | 65.0 | 72.0 | 60.0 | | | | | | | | | | | | | | | | | | | | |
| 30 | CM (dB) | 20.0 | 55.0 | 70.0 | 80.0 | 43.0 | | | | | | | | | | | | | | | | | | | | |
| | DM (dB) | 30.0 | 50.0 | 65.0 | 75.0 | 60.0 | | | | | | | | | | | | | | | | | | | | |

092M INSERTION LOSS

| Amps | Freq (MHz) | 0.15 | | | | | 0.5 | | | | | 1 | | | | | 10 | | | | | 30 | | | | |
|------|------------|---------|---------|---------|---------|---------|---------|---------|---------|---------|---------|---------|---------|---------|---------|---------|---------|---------|---------|---------|---------|----|--|--|--|--|
| | | CM (dB) | DM (dB) | CM (dB) | DM (dB) | CM (dB) | DM (dB) | CM (dB) | DM (dB) | CM (dB) | DM (dB) | CM (dB) | DM (dB) | CM (dB) | DM (dB) | CM (dB) | DM (dB) | CM (dB) | DM (dB) | CM (dB) | DM (dB) | | | | | |
| 1 | CM (dB) | 60.0 | 60.0 | 70.0 | 60.0 | 55.0 | | | | | | | | | | | | | | | | | | | | |
| | DM (dB) | 20.0 | 70.0 | 50.0 | 70.0 | 60.0 | | | | | | | | | | | | | | | | | | | | |
| 3 | CM (dB) | 50.0 | 50.0 | 60.0 | 50.0 | 45.0 | | | | | | | | | | | | | | | | | | | | |
| | DM (dB) | 20.0 | 70.0 | 50.0 | 70.0 | 60.0 | | | | | | | | | | | | | | | | | | | | |
| 7 | CM (dB) | 40.0 | 40.0 | 60.0 | 45.0 | 40.0 | | | | | | | | | | | | | | | | | | | | |
| | DM (dB) | 20.0 | 70.0 | 50.0 | 70.0 | 60.0 | | | | | | | | | | | | | | | | | | | | |
| 10 | CM (dB) | 20.0 | 40.0 | 60.0 | 50.0 | 45.0 | | | | | | | | | | | | | | | | | | | | |
| | DM (dB) | 23.0 | 45.0 | 60.0 | 55.0 | 60.0 | | | | | | | | | | | | | | | | | | | | |
| 15 | CM (dB) | 20.0 | 40.0 | 60.0 | 50.0 | 45.0 | | | | | | | | | | | | | | | | | | | | |
| | DM (dB) | 23.0 | 45.0 | 50.0 | 55.0 | 65.0 | | | | | | | | | | | | | | | | | | | | |
| 20 | CM (dB) | 20.0 | 40.0 | 50.0 | 42.0 | 40.0 | | | | | | | | | | | | | | | | | | | | |
| | DM (dB) | 30.0 | 60.0 | 65.0 | 72.0 | 60.0 | | | | | | | | | | | | | | | | | | | | |
| 30 | CM (dB) | 20.0 | 40.0 | 50.0 | 45.0 | 40.0 | | | | | | | | | | | | | | | | | | | | |
| | DM (dB) | 30.0 | 50.0 | 65.0 | 75.0 | 60.0 | | | | | | | | | | | | | | | | | | | | |