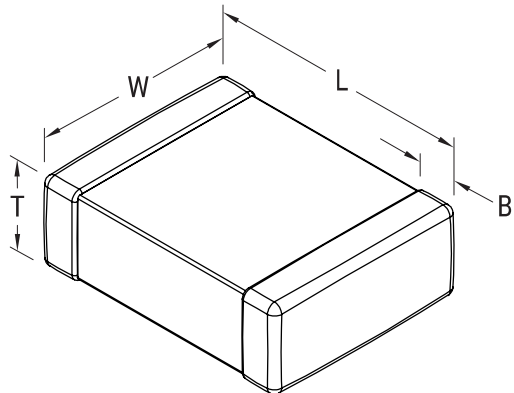


KEMET Part Number: M3253507E1C102KZMB-T&R
(C1812K102K2EML7189)



SMD MIL C0G PRF32535, Ceramic, Military/High Reliability, 1000 pF, 10%, 200 VDC, C0G, SMD, Low ESR, MIL-PRF-32535, N/A, 1812



General Information	
Supplier:	KEMET
Series:	SMD MIL C0G PRF32535
Style:	SMD Chip
Description:	SMD, Low ESR, MIL-PRF-32535
RoHS:	No
Termination:	Solder Plated
Failure Rate:	N/A
Qualifications:	MIL-PRF-32535 M-Level
Chip Size:	1812

Dimensions	
L	4.52mm +/-0.3mm (0.178 in +/-0.012 in)
W	3.2mm +/-0.3mm (0.126 in +/-0.012 in)
T	2.79mm MAX (0.11 in MAX)
B	0.61mm +/-0.46mm (0.024 in +/-0.018 in)

Specifications	
Capacitance:	1000 pF
Capacitance Tolerance:	10%
Voltage DC:	200 VDC
Dielectric Withstanding Voltage:	500 V
Temperature Range:	-55/+125C
Temperature Coefficient:	C0G
Dissipation Factor:	0.15% 1MHz 25C
Aging Rate:	0% Loss/Decade Hour
Insulation Resistance:	100 GOhms

Packaging Specifications	
Packaging:	T&R
Packaging Quantity:	1000

Statements of suitability for certain applications are based on our knowledge of typical operating conditions for such applications, but are not intended to constitute - and we specifically disclaim - any warranty concerning suitability for a specific customer application or use. This Information is intended for use only by customers who have the requisite experience and capability to determine the correct products for their application. Any technical advice inferred from this Information or otherwise provided by us with reference to the use of our products is given gratis, and we assume no obligation or liability for the advice given or results obtained.



© 2006 - 2018 IntelliData.net