

NOTES:

1. MATERIALS OF CONSTRUCTION:
 BODY: BRASS, GOLD PLATED
 CAP: BRASS, NICKEL PLATED
 MALE CONTACT: BRASS, GOLD PLATED
 INSULATORS: PTFE, NATURAL
 GASKET: SILICONE RUBBER

2. ELECTRICAL:
 A. IMPEDANCE: 50 OHM
 B. FREQUENCY RANGE: DC - 3 GHz

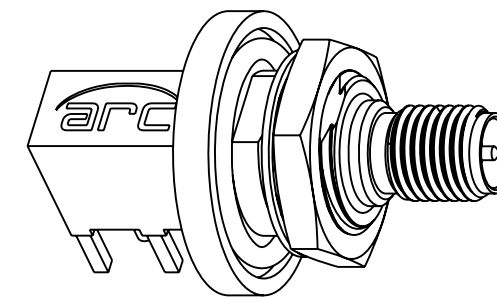
3. MECHANICAL:
 A. TEMPERATURE RANGE: -65° C TO +165° C
 B. SEALING REQUIREMENTS: WHEN MOUNTED ON PANEL MUST WITHSTAND WATER PRESSURE AT DEPTH OF 1 METER FOR 30 MIN. WITHOUT ANY SIGN OF LEAKAGE.
 C. DESIGN NOT SUITABLE FOR REFLOW.

4. PACKAGING:
 A. QUANTITY: SINGLE PACK
 B. MARKING: BAG TO BE MARKED "AMPHENOL, 901-10386, AND DATE CODE"

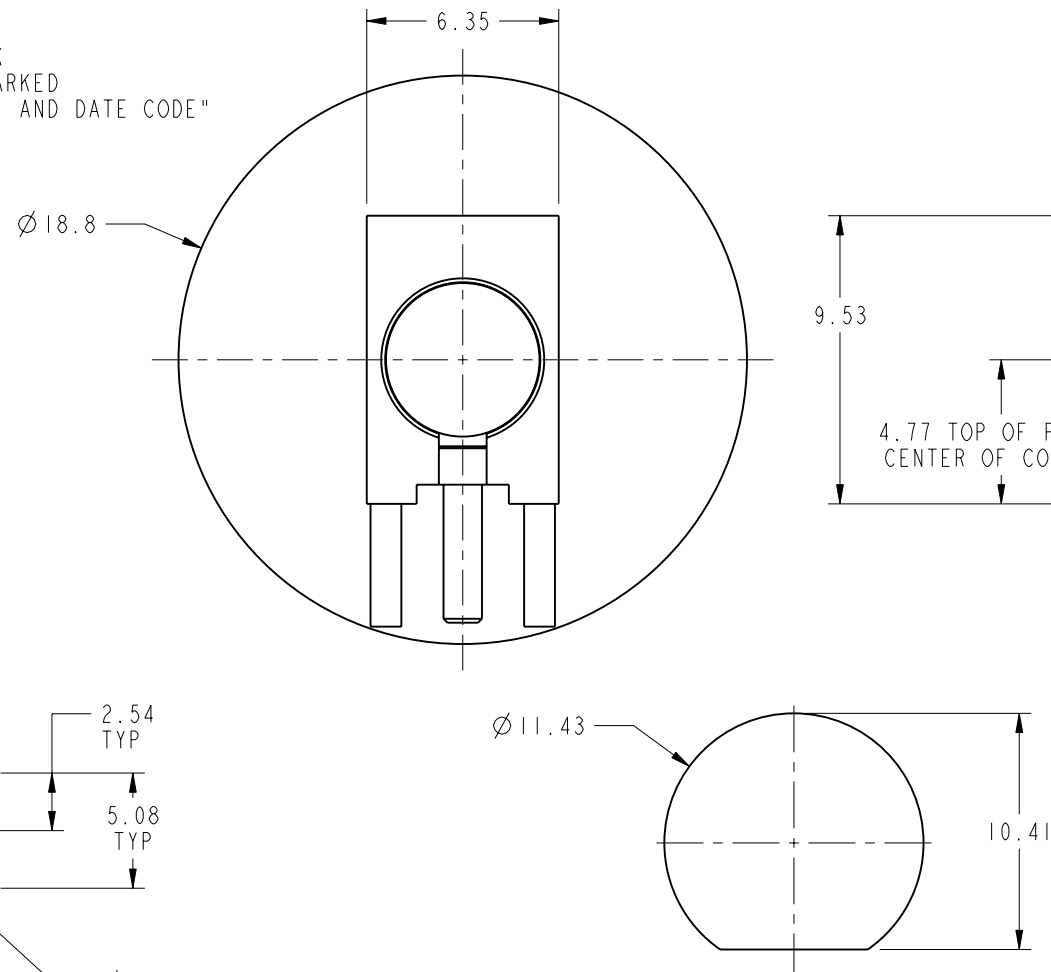
THIRD ANGLE PROJ.

REVISIONS

REV	DESCRIPTION	DATE	ECO	APPR
A	RELEASE TO MFG.	15-Aug-12	49217	JTS
B	ADD ARC LOGO TO BODY	16-Aug-13	49619	RLB

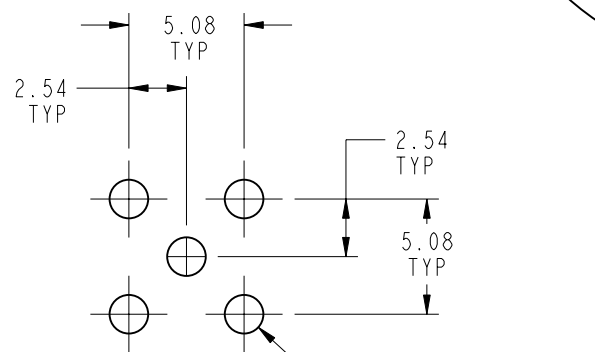


SCALE 2.000



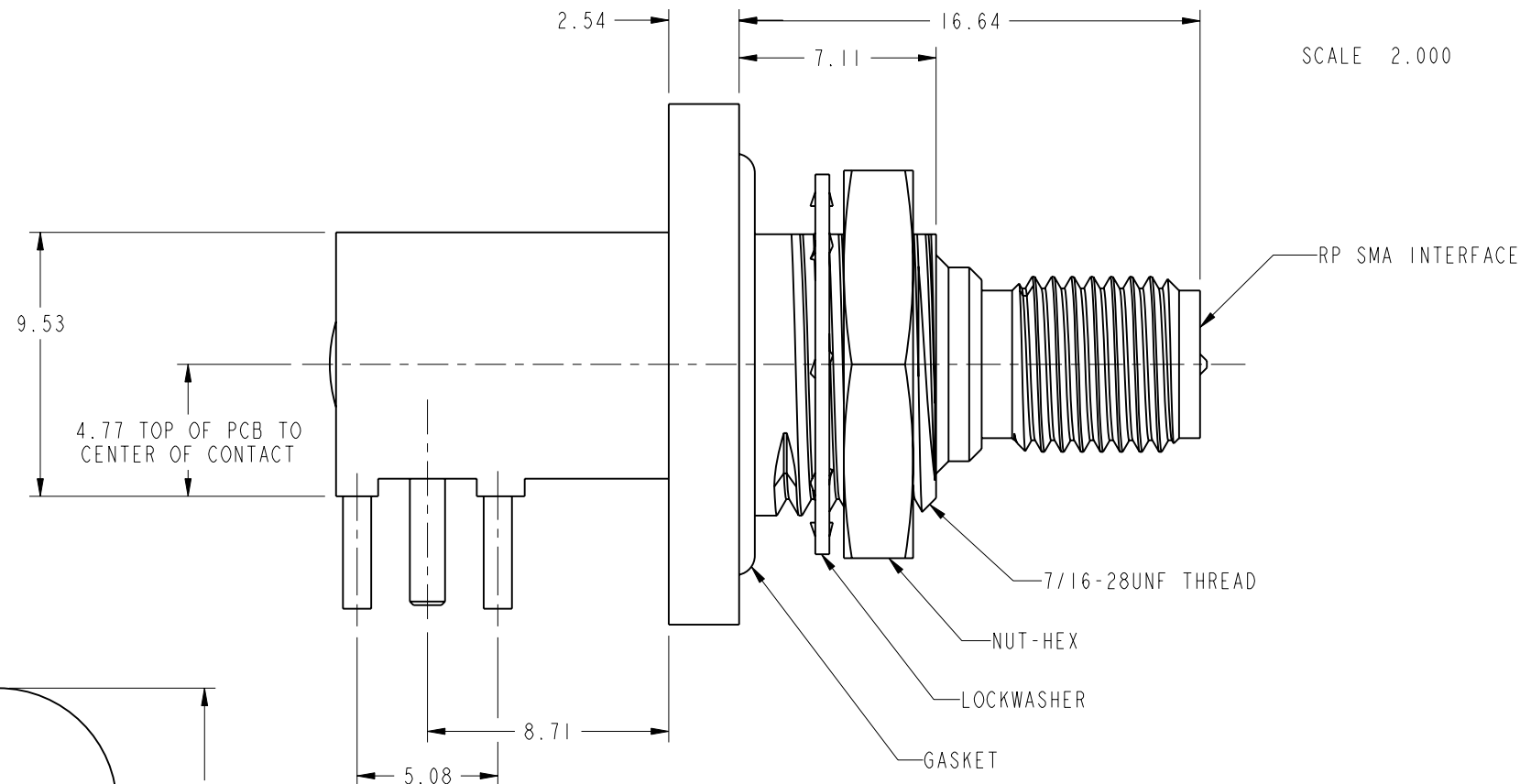
RECOMMENDED MOUNTING PANEL DIMENSIONS

SCALE 3.000



RECOMMENDED MOUNTING HOLE DIMENSIONS
SCALE 3.000

Ø 1.7 ± 0.05 MIN
5 HOLES



CUSTOMER OUTLINE DRAWING
 ALL OTHER SHEETS ARE FOR INTERNAL USE ONLY

UNLESS OTHERWISE SPECIFIED, DIMENSIONS ARE IN METRIC AND TOLERANCES ARE: <0.5mm ±0.05mm 0.5 - 6mm ±0.1mm 6 - 30mm ±0.2mm 30 - 120mm ±0.3mm ANGLES ±1°	MATERIAL -	DRAWN J. CHEN	DATE 02-July-14	TITLE RP SMA JACK R/A BULKHEAD PC MOUNT	Amphenol RF Danbury CT USA, Tainan, Taiwan, Shenzhen, China www.amphenolrf.com
	REFERENCE EAR# 3608 AND	ENGINEER T. SMITH	DATE 14-Jun-12		
NOTICE - These drawings, specifications, or other data (1) are, and remain the property of Amphenol corp. (2) must be returned upon request; and (3) are confidential and not to be disclosed to any person other than those to whom they are given by Amphenol Corp. the furnishing of these drawings, specifications, or other data by Amphenol Corp., or to any other person to anyone for any purpose is not to be regarded by implication or otherwise in any manner licensing, granting rights to permitting such holder or any other person to manufacture, use or sell any product, process or design, patented or otherwise, that may in any way be related to or disclosed by said drawings, specifications, or other data.	CONFIGURATION LEVEL: In Work	APPROVED S. HSIEH	DATE 02-July-14	SCALE: 6.0:1.0 SHEET 2 OF 2	ITEM NO. 901-10386
	FINISH	CAD FILE	DWG SIZE B	REV B	PART NO. 901-10386