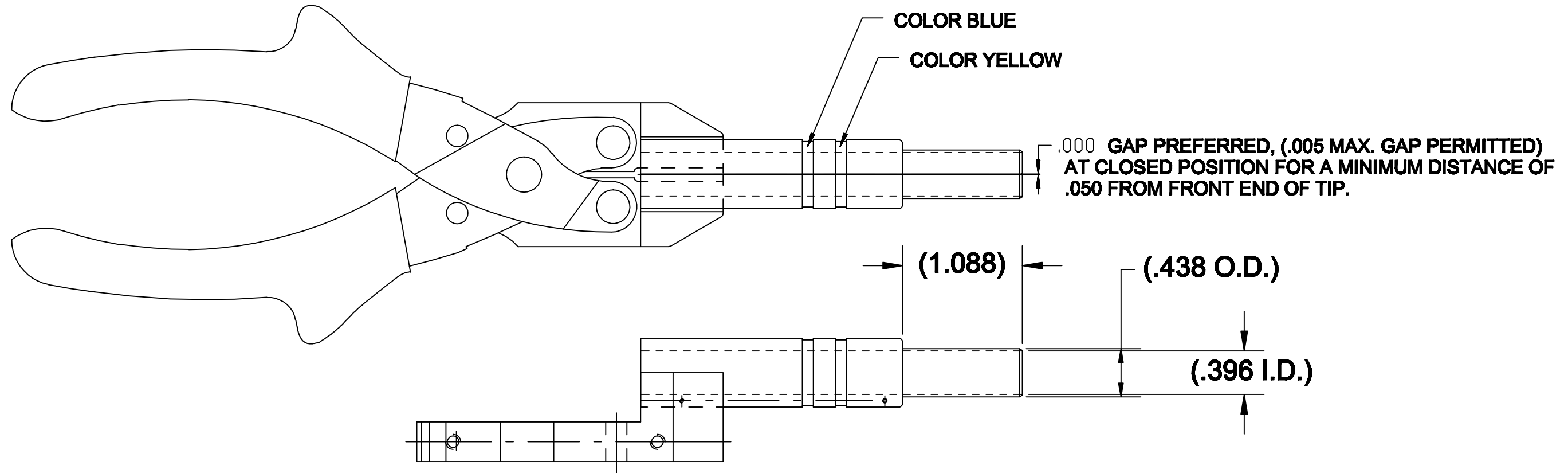


**UNCONTROLLED DOCUMENT
WILL NOT BE UPDATED**



2. BOTH TIP I.D. AND O.D. TO BE COATED WITH BLACK TEFLON OR EQUIV.
1. THIS IS A CAD DRAWING DO NOT CHANGE MANUALLY.
NOTES:

REV.	DESCRIPTION	BY	DATE	APR.
0	NEW RELEASE			

THESE DRAWINGS, SPECIFICATIONS OR OTHER DATA ARE AND REMAIN THE PROPERTY OF ASTRO TOOL CORP. AND MUST BE RETURNED UPON REQUEST. THEY CONTAIN INFORMATION OWNED AND/OR DEVELOPED BY ASTRO AT ITS OWN PRIVATE EXPENSE AND MAY NOT BE USED, DUPLICATED OR DISCLOSED TO OTHERS, IN WHOLE OR IN PART FOR DESIGN, MANUFACTURE, OR PROCUREMENT WITHOUT THE WRITTEN PERMISSION OF ASTRO TOOL CORP. EACH AND EVERY TIME.

SCALE: **N.T.S.**
 DRAWN BY: **DGMc**
 DATE: **2/23/95**
 APPROVED:

UNLESS OTHERWISE SPECIFIED:
 DECIMALS:
 .XXX ±.005
 .XX ±.010
 .X ±.030
 ANGLES:
 ± 11

		CAGE 58164
21615 S.W. TUALATIN VALLEY HWY., BEAVERTON OR 97006		
DESCRIPTION: PLIER, INS SIZE 4 STRAIGHT		
PART NO.	B	ATBX5395-ENV