

# ARK12106CHSC



Sample image

**Order symbol:** ARK12106CHSC

**Product nbr:** 8561532

**Description:** PC Enclosure

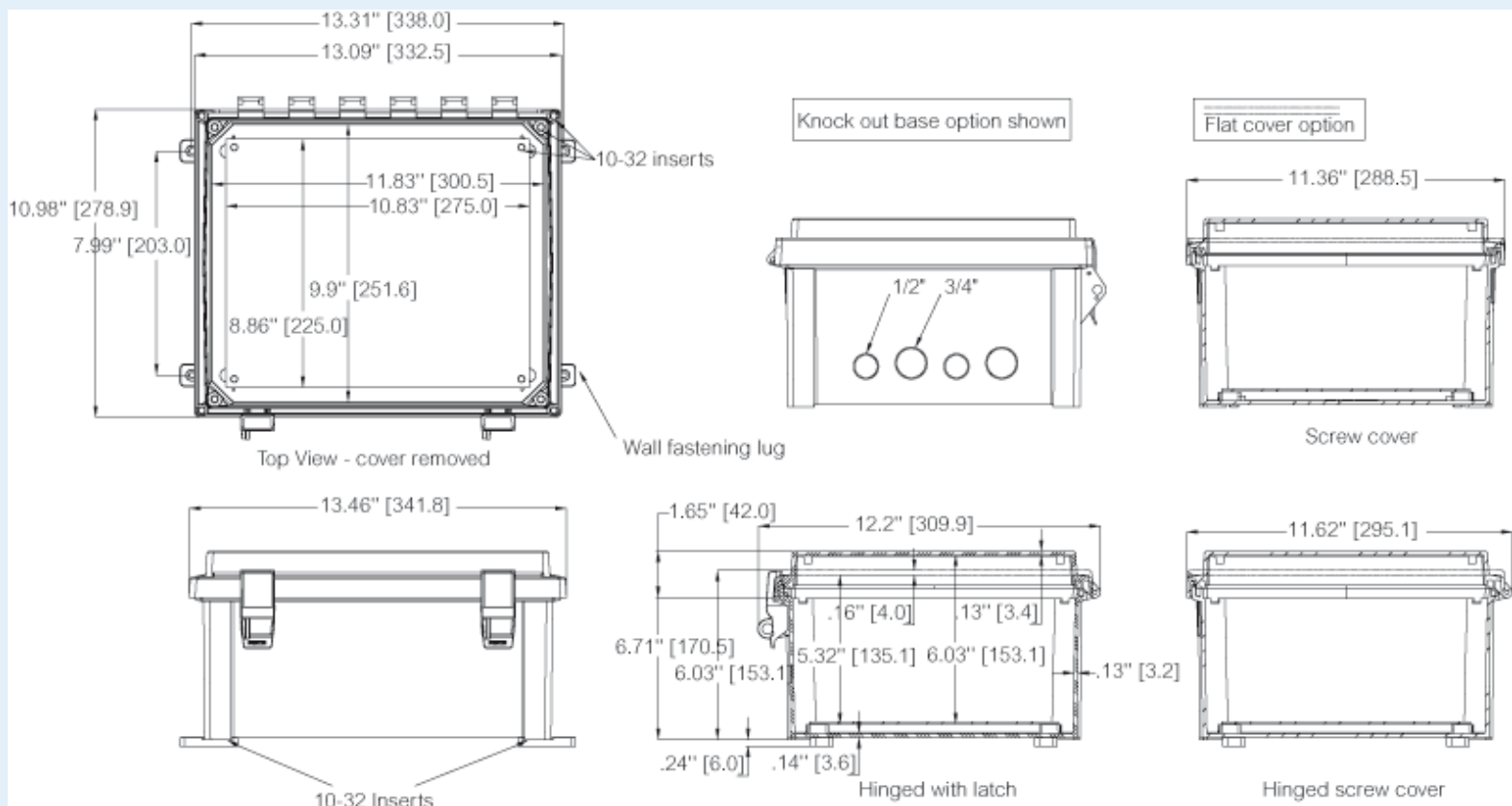
**Remarks:** Hinged opaque screw cover. Base includes 1/2 and 3/4 inch knock-outs.

**EAN:** 6418074097088

**El. number:**

- Finland:
- Denmark:
- Sweden:

**Including:** Hinged screw cover. Base with 10-32 brass inserts, cover with formed in place PUR gasket, stainless hinge pin and 2 cover screws. Base includes 1/2 and 3/4 inch knock-outs. Enclosure mounting foot kit. Accessory 10-32 screws for panel mounting.



Dimensions:	Height	Width	Depth
mm:	305	254	152

Accessories:	
ASPHK12	Swing Panel Kit w/o Panel

inch: 12 10 6

#### Materials:

Material: Polycarbonate  
Base colour: RAL 7035 -light grey  
Cover colour: RAL 7035 -light grey  
Gasket material: Polyurethane

#### Temperatures:

Temperature °C (short term):: -40 ... 140  
Temperature °C (continuous): -40 ... 80  
Temperature °F (short term): -40 ... 250  
Temperature °F (continuous): -40 ... 175

ALBP1210 Aluminum Back Panel  
(274 x 226)  
ASP1210 Aluminum Swing Panel  
(254.5 x 305.7 x 0)  
ASPK1210 Swing Panel Kit incl. Panel  
ADFP1210 Dead Front Panel w/ screws  
(257.5 x 307.5 x 0)  
APBP1210 PVC Back Panel  
(274 x 226)  
AMFL10 10" Mounting Flange Set  
ABP1210 Painted Steel Back Panel  
(274 x 226)

#### Rating:

Ingress protection (EN 60529): IP66; IP67;  
Impact Resistance (EN 62262): IK09;  
Electrical insulation: Not insulated  
Halogen free (DIN/VDE 0472,  
Part 815): 1  
UV resistance: UL 508  
Flammability Rating: UL 508  
Glow Wire Test (IEC 695-2-1)  
°C: 960 °C  
NEMA Class NEMA 4, 4X, 6, 6P, 12, 12K  
and 13

#### Certificates: