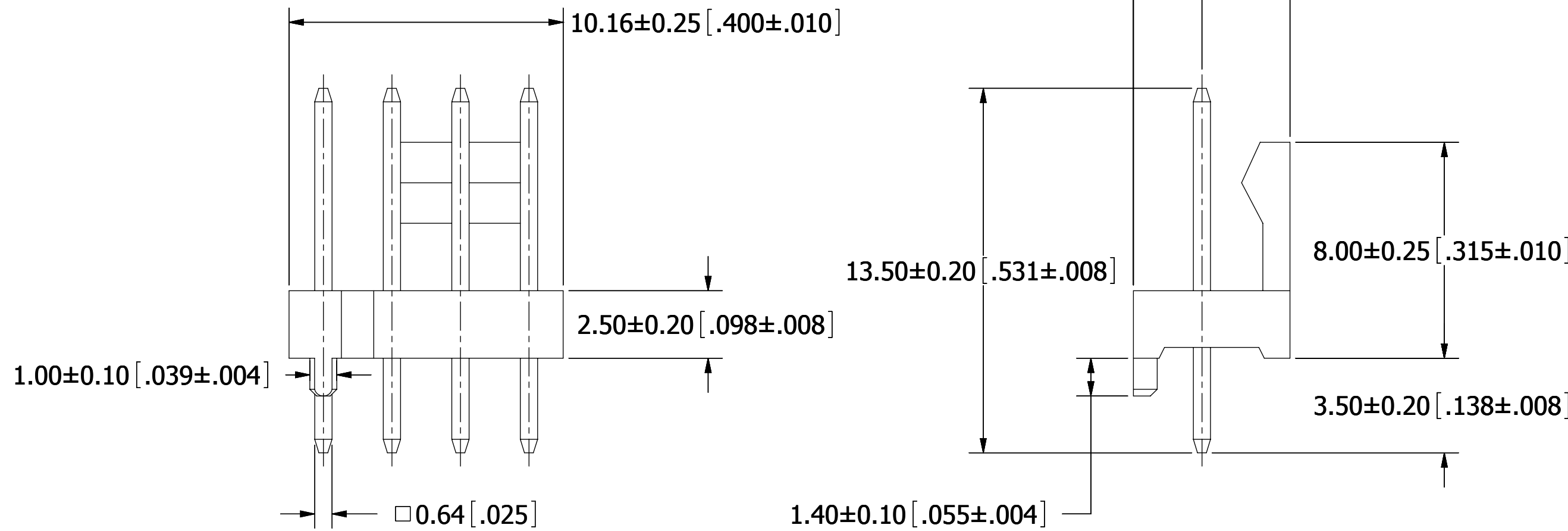
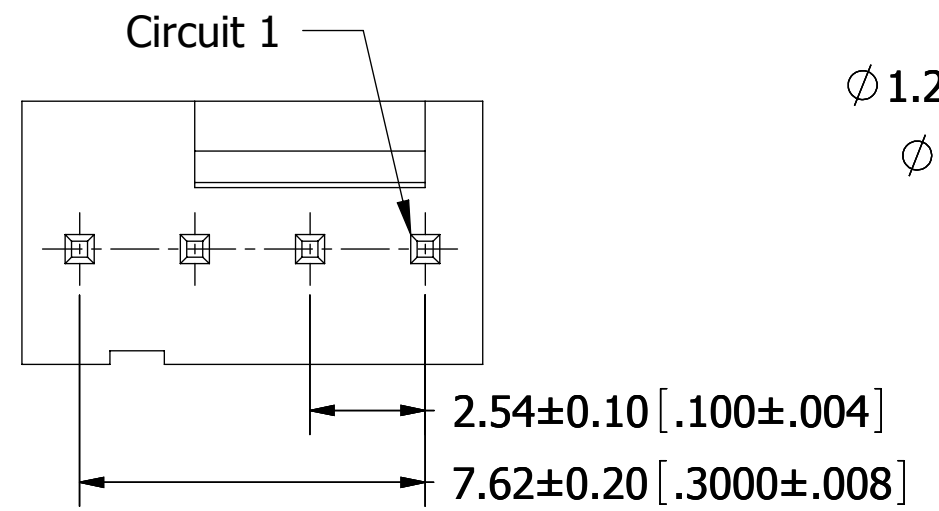
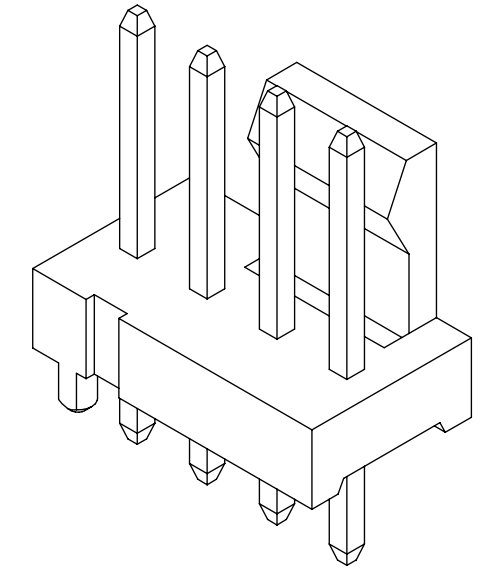
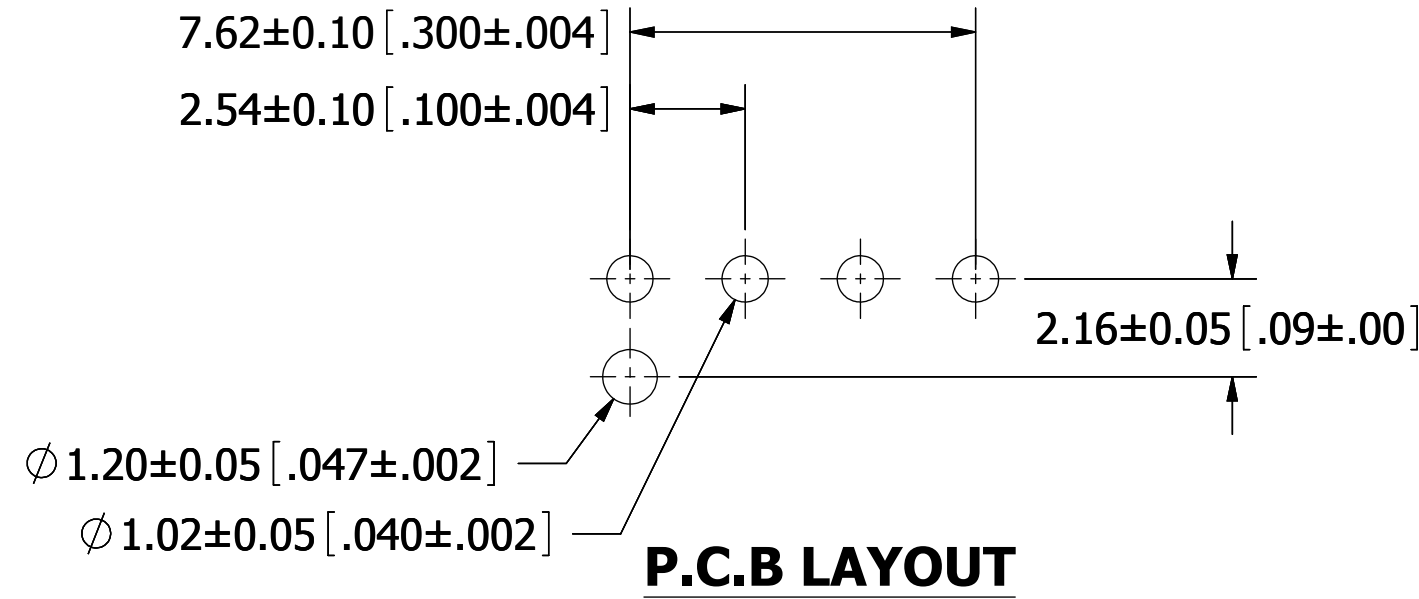


PART NUMBER CODING

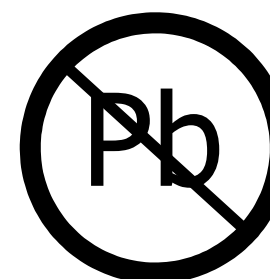
SWR25C-NREC-S04-ST-WH-M41

NUMBER OF POSITIONS
(CONTACTS PER ROW)

REVISIONS				
REV.	ECO. NO	DESCRIPTION	DATE	BY
A	2006	INITIAL RELEASE	9/17/09	JH



- NOTES:**
1. INSULATOR MATERIAL: NYLON66, UL94V-0, COLOR: WHITE.
 2. CONTACT MATERIAL: BRASS.
 3. CONTACT PLATING: TIN OVERALL.
 4. CURRENT RATING: 4 AMPS.
 5. VOLTAGE RATING: 250V AC/DC.
 6. INSULATOR RESISTANCE: 1000 MEGOHMS MIN.
 7. CONTACT RESISTANCE: 10 MILLIOHMS MAX.
 8. DIELECTRIC WITHSTANDING VOLTAGE: 1000V AC.
 9. OPERATING TEMPERATURE: -25° C TO +85° C.
 10. MATES WITH SWH25C SERIES SINGLE ROW HOUSING.
 11. MODIFICATION: POST AT POSITION 4.



RoHS COMPLIANT

UNLESS OTHERWISE SPECIFIED:
 DIMENSIONS ARE IN MM [INCHES]
 TOLERANCES:
 ANGULAR: $\pm 5^\circ$
 .X = $\pm .3$ [.01]
 .XX = $\pm .15$ [.006]
 .XXX = $\pm .050$ [.0020]
 SURFACE FINISH: 63 R_a
 REMOVE ALL BURRS AND SHARP EDGES .010 MAX

INTERPRET DIMENSIONS AND GEOMETRIC TOLERANCING PER: ANSI Y14.5M-1994

DRAWN	DATE	NAME	SULLINS CONNECTOR SOLUTIONS	
JH	9/17/09	JH	DESCRIPTION WAFFER 2.54mm CC, 1 ROW, ST	
THE INFORMATION HEREIN CONTAINS PROPRIETARY INFORMATION OF SULLINS ELECTRONICS AND IS NOT TO BE REPRODUCED, USED OR DISCLOSED TO OTHERS FOR ANY PURPOSE EXCEPT AS SPECIFICALLY AUTHORIZED IN WRITING BY AN OFFICER OF SULLINS ELECTRONICS.			PART NUMBER SWR25C-NREC-S04-ST-WH-M41	
SIZE C	DWG. NO. 11323	REV A	SCALE: 6:1	
SHEET 1 OF 1			FILE NAME: Z:\ECO PENDING\2006_wafer_25_series\11323_SWR25C-NREC-S04-ST-WH-M41 PRINT: 9/29/2009	