

Spring Cage Fuse Terminal Blocks ST

Spring cage fuse terminal blocks from Phoenix Contact satisfy two important tasks of electrical connection systems. Firstly, they act as carriers for fuses and secondly, they assume the task of potential distribution. The universal ST bridge shaft makes continuous bridging possible between ST feed-through terminal blocks and ST fuse terminal blocks.

ST 4-HESI can be used for the 5 x 20 mm fuse format, which is a standard in electrical engineering. It is also available with a light indicator for signaling a triggered fuse.

ST 4-HESI (6,3 x 32) is characterized by the double bridge shaft located in the same position as in the entire ST series.

This opens up all options for power distribution. To make it practical to use, test connections are provided on both sides of the standardized (6.3 x 32 mm) fuse inserts. Terminal blocks with a light indicator are available to signal the triggering of a fuse.

The large-surface labeling option on the fuse lever enables fast identification of the fused circuits.

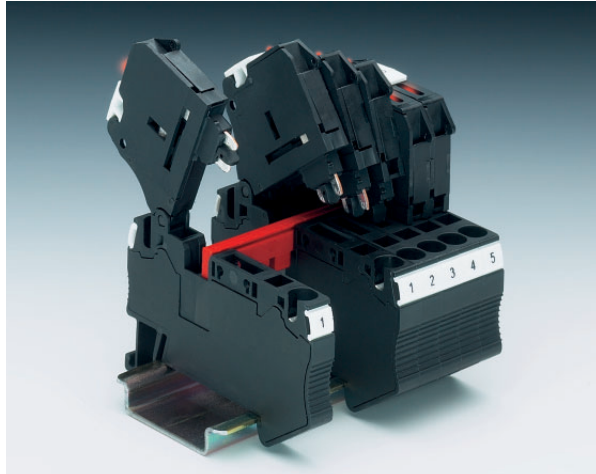
Flat-type fuses in accordance with ISO/DIS 8820/ DIN 72581-3 or alternatively the TCP thermal miniature circuit breaker can be used as the fuse element in the **ST 4-FS/C** fuse terminal block. Terminal blocks with a light indicator are available for quick error diagnosis "at a glance". A wide range of potential distribution options can be implemented using the ST bridge shaft which is integrated in this terminal block.

Attention:

The cartridge fuse holders should be selected according to the maximum power dissipation (self-heating) of the cartridge fuse inserts. The thermal conditions in closed fuse holders should be checked according to the application and installation.

Higher ambient temperatures

are an additional strain on fuse inserts. In applications of this kind, the shift of the rated current should be taken into consideration accordingly.



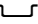
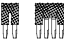




Spring Cage Fuse Terminal Block

ST 4-HESI (5 x 20)



(IEC) [mm ²]	rigid solid	flexible stranded	AWG	I [A]	U [V]
DIN VDE 0611					
with fuse	0.08-6	0.08-4	28-10	1)	1)
as disconnect term.bl.	0.08-6	0.08-4	28-10	6.3	250
1) see table below (the current is determined by the fuse used)					

Technical data

Fuse terminal block , for mounting on  , for cartridge fuse inserts 5 x 20 mm		terminal width 6.2
(1) Plug-in bridge , for cross-connections in the terminal center	2-pos. 3-pos. 4-pos. 5-pos. 10-pos. 20-pos.	
(2) Partition plate , for visual and electrical separation of terminal groups, 2 mm thick		
(3) Screwdriver , for actuating the tension spring		
(4) Zack strip , flat, for labeling the center and outer marker grooves	white	
(5) Zack strip , 10-section, for labeling on the fuse lever	white	
Dimensions		
Width / length		[mm]
Height (NS 35/7,5 / NS 35/15)		[mm]
Technical data in accordance with IEC/ DIN VDE		
Fuse type ISO/DIS 8820/DIN 72 581-3 / dimensions		- / [mm]
Max. power dissipation		
at 23 °C based on E DIN VDE 0611-6: 2001-04		[W]
Rated surge voltage / contamination class		[kV] / -
Surge voltage category / insulation material group		- / -
Connection capacity		
Stranded with ferrule with plastic sleeve		[mm ²]
Stranded with ferrule without plastic sleeve		[mm ²]
Stranded with TWIN ferrule with plastic sleeve		[mm ²]
Stripping length		[mm]
Internal cylindrical gauge (IEC 60 947-1)		
Insulating material		
Inflammability class in acc. with UL 94		
Approval data (UL and CSA/CUL)		
Nominal voltage / current / conductor sizes	UL: [V] / [A] / AWG	
	CSA/CUL: [V] / [A] / AWG	

Type	Order No.	Pcs. Pkt.
ST 4-HESI (5 x 20)	30 36 36 9	50
FBS 2-6	30 30 33 6	50
FBS 3-6	30 30 24 2	50
FBS 4-6	30 30 25 5	50
FBS 5-6	30 30 34 9	50
FBS 10-6	30 30 27 1	10
FBS 20-6	30 30 36 5	10
	<i>I_{max}: 32 A</i>	
ATP-ST 4	30 30 72 1	50
SZF 1 - 0,6 x 3,5	12 04 51 7	10
ZBF 6:UNPRINTED	08 08 71 0	10
ZB 5:UNPRINTED	10 50 00 4	10
	6.2 / 61.5	
	62.5 / 70	
	G / 5 x 20	
	1)	
	4 / 3	
	III / I	
	0.25 - 4	
	0.25 - 4	
	0.5 - 1	
	10	
	A 4	
	PA	
	V0	
	-	
	-	

Cartridge fuse terminal blocks based on E DIN VDE 0611-6: 2001-04

Max. power dissipation at 23°C (based on E DIN VDE 0611-6:2001-04)

When selecting cartridge fuse inserts, please ensure that the maximum power dissipation specified below is not exceeded. Details can be obtained from the fuse suppliers.

Terminal block type	U [V]	Overload protection		Short-circuit protection only	
		Single	Interconnected	Single	Interconnected
ST 4-HESI (5 x 20)	250	2.5 W	1.6 W	4.0 W	2.5 W

Spring Cage Fuse Terminal Blocks with Light Indicator

ST 4-HESILED and ST 4-HESILA (5 x 20)



(IEC) [mm ²]	rigid solid	flexible stranded	AWG	I [A]	U [V]
-----------------------------	----------------	----------------------	-----	----------	----------

DIN VDE 0611

with fuse 0.08-6 0.08-4 28-10 ¹⁾ ¹⁾

as disconnect term.bl. 0.08-6 0.08-4 28-10 6.3 250

¹⁾ see table below (the current is determined by the fuse used, the voltage by the light indicator selected)

²⁾ If the fuse is defective, the downstream circuit is not off load.

Technical data

Fuse terminal block²⁾ , for mounting on , for cartridge fuse inserts 5 x 20 mm, with light indicator for:					
15 - 30 V AC/DC,	3.5 - 8.1 mA	terminal width 6.2			
30 - 60 V AC/DC,	0.8 - 2.0 mA	terminal width 6.2			
110 - 250 V AC/DC,	0.5 - 1.0 mA	terminal width 6.2			
(1) Plug-in bridge , for cross-connections in the terminal center	2-pos. 3-pos. 4-pos. 5-pos. 10-pos. 20-pos.				
(2) Partition plate , for visual and electrical separation of terminal groups, 2 mm thick					
(3) Screwdriver , for actuating the tension spring					
(4) Zack strip , flat, for labeling the center and outer marker grooves	white				
(5) Zack strip , 10-section, for labeling on the fuse lever	white				
Dimensions					
Width / length	[mm]				
Height (NS 35/7,5 / NS 35/15)	[mm]				
Technical data in accordance with IEC/ DIN VDE					
Fuse type ISO/DIS 8820/DIN 72 581-3 / dimensions	- / [mm]				
Max. power dissipation					
at 23 °C based on E DIN VDE 0611-6: 2001-04	[W]				
Rated surge voltage / contamination class	[kV] / -				
Surge voltage category / insulation material group	- / -				
Connection capacity					
Stranded with ferrule with plastic sleeve	[mm ²]				
Stranded with ferrule without plastic sleeve	[mm ²]				
Stranded with TWIN ferrule with plastic sleeve	[mm ²]				
Stripping length	[mm]				
Internal cylindrical gauge (IEC 60 947-1)					
Insulating material					
Inflammability class in acc. with UL 94					
Approval data (UL and CSA/CUL)					
Nominal voltage / current / conductor sizes	UL: [V] / [A] / AWG				
	CSA/CUL: [V] / [A] / AWG				

Type	Order No.	Pcs. Pkt.
ST 4-HESILED 24	30 36 54 7	50
ST 4-HESILED 60	30 36 55 0	50
ST 4-HESILA 250	30 36 56 3	50
FBS 2-6	30 30 33 6	50
FBS 3-6	30 30 24 2	50
FBS 4-6	30 30 25 5	50
FBS 5-6	30 30 34 9	50
FBS 10-6	30 30 27 1	10
FBS 20-6	30 30 36 5	10
ATP-ST 4	30 30 72 1	50
SZF 1 - 0,6 x 3,5	12 04 51 7	10
ZBF 6:UNPRINTED	08 08 71 0	10
ZB 5:UNPRINTED	10 50 00 4	10
	6.2 / 61.5	
	62.5 / 70	
	G / 5 x 20	
	¹⁾	
	4 / 3	
	III / I	
	0.25 - 4	
	0.25 - 4	
	0.5 - 1	
	10	
	A 4	
	PA	
	V0	
	-	
	-	

Cartridge fuse terminal blocks based on E DIN VDE 0611-6: 2001-04

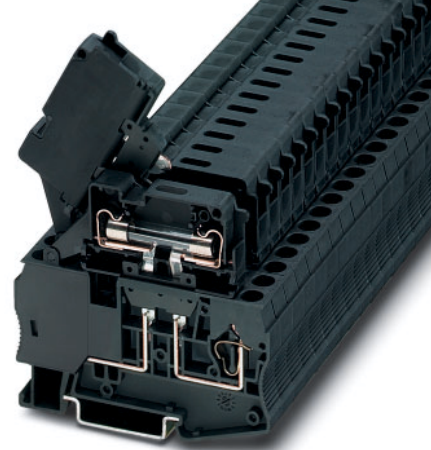
Max. power dissipation at 23°C (based on E DIN VDE 0611-6:2001-04)

When selecting cartridge fuse inserts, please ensure that the maximum power dissipation specified below is not exceeded. Details can be obtained from the fuse suppliers.

Terminal block type	U [V]	Overload protection		Short-circuit protection only	
		Single	Interconnected	Single	Interconnected
ST 4-HESI...	250	2.5 W	1.6 W	4.0 W	2.5 W

Spring Cage Fuse Terminal Block


ST 4-HESI (6,3 x 32)

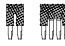


(IEC) [mm ²]	rigid solid	flexible stranded	AWG	I [A]	U [V]
IEC 60 947-7-3	0.08-6	0.08-4	28-10	10*	400*


* Current and voltage are determined by the fuse used.

Technical data


Fuse terminal block, for mounting on , for cartridge fuse inserts 6.3 x 32 mm, black terminal width 8.2

(1) Plug-in bridge , for cross-connections in the terminal center	2-pos.	
	3-pos.	
	4-pos.	
	5-pos.	
	10-pos.	

(2) **Partition plate**, for visual and electrical separation of terminal groups, 2 mm thick 

(3) **Adapter bridge**, for connecting an ST 4-HESI (6,3 x 32) to an ST 4, ST 2,5 or QTC 1,5 

(4) **Screwdriver**, for actuating the tension spring 

(5) **Zack strip**, flat, for labeling the center and outer marker grooves white 

(6) **Zack strip**, 10-section, for labeling on the fuse lever white 

Dimensions

Width / length	[mm]
Height (NS 35/7,5 / NS 35/15)	[mm]

Technical data in accordance with IEC/ DIN VDE

Fuse type ISO/DIS 8820/DIN 72 581-3 / dimensions	- / [mm]
Maximum current with single arrangement	[A]
Max. power dissipation	
at 23 °C based on E DIN VDE 0611-6: 2001-04	[W]
Rated surge voltage / contamination class	[kV] / -
Surge voltage category / insulation material group	- / -

Connection capacity

Stranded with ferrule with plastic sleeve	[mm ²]
Stranded with ferrule without plastic sleeve	[mm ²]
Stranded with TWIN ferrule with plastic sleeve	[mm ²]
Stripping length	[mm]

Internal cylindrical gauge (IEC 60 947-1)

Insulating material

Inflammability class in acc. with UL 94

Approval data (UL and CSA/CUL)

Nominal voltage / current / conductor sizes	UL: [V] / [A] / AWG
	CSA/CUL: [V] / [A] / AWG

Type	Order No.	Pcs. Pkt.
ST 4-HESI (6,3 x 32)	30 36 38 5	50
FBS 2-8	30 30 28 4	10
FBS 3-8	30 30 29 7	10
FBS 4-8	30 30 30 7	10
FBS 5-8	30 30 31 0	10
FBS 10-8	30 30 32 3	10
ATP-QTC TWIN	32 06 21 2	50
RB ST 6-(2,5/4)	30 30 86 0	50
SZF 1 - 0,6 x 3,5	12 04 51 7	10
ZBF 8:UNPRINTED	08 08 78 1	10
ZB 6:UNPRINTED	10 51 00 3	10
	8.2 / 76.5	
	69 / 76.5	
	G / 6 x 32	
	10	
	see table	
	6 / 3	
	III / I	
	0.25 - 4	
	0.25 - 4	
	0.5 - 1	
	10	
	A 4	
	PA	
	V0	
	applied for 600 / 10 / 24-10	
	applied for 600 / 10 / 24-10	

Cartridge fuse terminal blocks based on E DIN VDE 0611-6: 2001-04

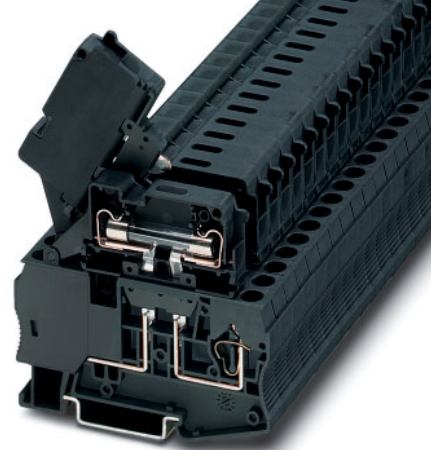
Max. power dissipation at 23°C (based on E DIN VDE 0611-6:2001-04)

When selecting cartridge fuse inserts, please ensure that the maximum power dissipation specified below is not exceeded. Details can be obtained from the fuse suppliers.

Terminal block type	U [V]	Overload protection		Short-circuit protection only		I _{max} [A]
		Single	Interconnected	Single	Interconnected	
ST 4-HESI (6,3 x 32)	400	1.6 W	1.6 W	4.0 W	2.5 W	10

Spring Cage Fuse Terminal Block

ST 4-HESILED and ST 4-HESILA (6,3 x 32)




(IEC) [mm ²]	rigid solid	flexible stranded	AWG	I [A]	U [V]
IEC 60 947-7-3	0.08-6	0.08-4	28-10	10*	400*

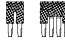
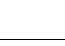



* Current and voltage are determined by the fuse used.

1) If the fuse is defective, the downstream circuit is not off load.


Technical data

Fuse terminal block¹⁾, for mounting on , for cartridge fuse inserts 6 x 32 mm, with light indicator for:
15 - 30 V AC/DC, 1 - 2.5 mA terminal width 8.2
110 - 250 V AC/DC, 0.5 - 2.5 mA terminal width 8.2


(1) **Plug-in bridge**, for cross-connections in the terminal center

2-pos.	
3-pos.	
4-pos.	
5-pos.	
10-pos.	

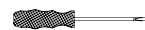
(2) **Partition plate**, for visual and electrical separation of terminal groups, 2 mm thick




(3) **Adapter bridge**, for connecting an ST 4-HESI (6,3 x 32) to an ST 4, ST 2,5 or QTC 1,5



(4) **Screwdriver**, for actuating the tension spring



(5) **Zack strip**, flat, for labeling the center and outer marker grooves

white	
-------	---

(6) **Zack strip**, 10-section, for labeling on the fuse lever

white	
-------	---

Dimensions

Width / length	[mm]
Height (NS 35/7,5 / NS 35/15)	[mm]

Technical data in accordance with IEC/ DIN VDE

Fuse type ISO/DIS 8820/DIN 72 581-3 / dimensions	- / [mm]
Maximum current with single arrangement	[A]

Max. power dissipation

at 23 °C based on E DIN VDE 0611-6: 2001-04	[W]
Rated surge voltage / contamination class	[kV] / -
Surge voltage category / insulation material group	- / -

Connection capacity

Stranded with ferrule with plastic sleeve	[mm ²]
Stranded with ferrule without plastic sleeve	[mm ²]
Stranded with TWIN ferrule with plastic sleeve	[mm ²]
Stripping length	[mm]

Internal cylindrical gauge (IEC 60 947-1)

Insulating material

Inflammability class in acc. with UL 94

Approval data (UL and CSA/CUL)

Nominal voltage / current / conductor sizes	UL: [V] / [A] / AWG
	CSA/CUL: [V] / [A] / AWG

Type	Order No.	Pcs. Pkt.
ST 4-HESILED 24 (6,3 x 32)	30 38 76 5	50
ST 4-HESILA 250 (6,3 x 32)	30 38 77 8	50
FBS 2-8 $I_{max}: 32 A$	30 30 28 4	10
FBS 3-8 32 A	30 30 29 7	10
FBS 4-8 32 A	30 30 30 7	10
FBS 5-8 32 A	30 30 31 0	10
FBS 10-8 32 A	30 30 32 3	10
ATP-QTC TWIN	32 06 21 2	50
RB ST 6-(2,5/4)	30 30 86 0	50
SZF 1 - 0,6 x 3,5	12 04 51 7	10
ZBF 8:UNPRINTED	08 08 78 1	10
ZB 6:UNPRINTED	10 51 00 3	10
	8.2 / 76.5	
	69 / 76.5	
	G / 6 x 32	
	10	
	see table	
	6 / 3	
	III / I	
	0.25 - 4	
	0.25 - 4	
	0.5 - 1	
	10	
	A 4	
	PA	
	V0	
	applied for 600 / 10 / 24-10	
	applied for 600 / 10 / 24-10	

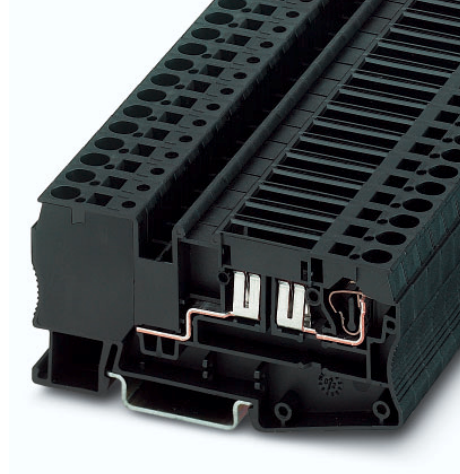
Cartridge fuse terminal blocks based on E DIN VDE 0611-6: 2001-04

Max. power dissipation at 23°C (based on E DIN VDE 0611-6:2001-04)

When selecting cartridge fuse inserts, please ensure that the maximum power dissipation specified below is not exceeded. Details can be obtained from the fuse suppliers.

Terminal block type	U [V]	Overload protection		Short-circuit protection only		I_{max} [A]
		Single	Interconnected	Single	Interconnected	
ST 4-HESI (6,3 x 32)	400	1.6 W	1.6 W	4.0 W	2.5 W	10

Spring Cage Fuse Terminal Block ST 4-FSI/C



(IEC) [mm ²]	rigid solid	flexible stranded	AWG	I [A]	U [V]
Connection data	0.08-6	0.08-4	28-10	30	400

Technical data

Fuse terminal block,
for mounting on , terminal width 8.2

(1) **Insulating stop sleeve**, prevents unintentional clamping of the insulation in the case of smaller cross sections
Cross section range: 0.25-0,5 mm²
0.75-1 mm²



(2) **Plug-in bridge**, for cross-connections in the terminal center

2-pos.
3-pos.
4-pos.
5-pos.
10-pos.



(3) **Test adapter**, for 4 mm Ø test plug PS and 4 mm Ø safety test plugs, making contact in the bridge shaft



(4) **2.3 mm Ø test plug 1)**, consisting of metal part and red insulating sleeve



(5) **Screwdriver**, for actuating the tension spring



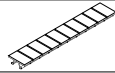
(6) **Zack strip**, flat, for labeling the center and outer marker grooves

white



(7) **Zack strip**, 10-section, for labeling in the terminal center

white



Dimensions

Width / length	[mm]
Height (NS 35/7,5 / NS 35/15)	[mm]

Technical data in accordance with IEC/ DIN VDE

Fuse type ISO/DIS 8820/DIN 72 581-3	-
Maximum current with single arrangement	[A]

Max. power dissipation

at 23 °C based on E DIN VDE 0611-6: 2001-04	[W]
Rated surge voltage / contamination class	[kV] / -
Surge voltage category / insulation material group	- / -

Connection capacity

Stranded with ferrule with plastic sleeve	[mm ²]
Stranded with ferrule without plastic sleeve	[mm ²]
Stranded with TWIN ferrule with plastic sleeve	[mm ²]
Stripping length	[mm]

Internal cylindrical gauge (IEC 60 947-1)

Insulating material

Inflammability class in acc. with UL 94

Approval data (UL and CSA/CUL)

Nominal voltage / current / conductor sizes	UL: [V] / [A] / AWG
	CSA/CUL: [V] / [A] / AWG

1) On request.

Type	Order No.	Pcs. Pkt.
ST 4-FSI/C	30 36 37 2	50
ISH 4/0,5	30 02 88 5	50
ISH 4/1	30 02 89 8	50
FBS 2-8	I_{max} : 41 A 30 30 28 4	10
FBS 3-8	41 A 30 30 29 7	10
FBS 4-8	41 A 30 30 30 7	10
FBS 5-8	41 A 30 30 31 0	10
FBS 10-8	41 A 30 30 32 3	10
PAI 4	30 30 92 5	10
MPS-RD	02 01 55 3	10
SZF 1 - 0,6 x 3,5	12 04 51 7	10
ZBF 8:UNPRINTED	08 08 78 1	10
ZB 8:UNPRINTED	10 52 00 2	10

8.2 / 86.5
43.5 / 51
C
30
1)
6 / 3
III / I
0.25 - 4
0.25 - 4
0.5 - 1
10
A 4
PA
V0
-
-


Spring Cage Fuse Terminal Blocks with Light Indicator

ST 4-FSI/C-LED



(IEC) [mm ²]	rigid solid	flexible stranded	AWG	I [A]	U [V]
Connection data	0.08-6	0.08-4	28-10	30	400

Technical data






Fuse terminal block¹⁾, for mounting on , with light indicator for:

12 V DC, 2.0 mA terminal width 8.2
24 V DC, 2.0 mA terminal width 8.2

(1) **Insulating stop sleeve**, prevents unintentional clamping of the insulation in the case of smaller cross sections

Cross section range: 0.25-0.5 mm² gray
0.75-1 mm² black

(2) **Plug-in bridge**, for cross-connections in the terminal center


2-pos.	
3-pos.	
4-pos.	
5-pos.	
10-pos.	

(3) **Test adapter**, for 4 mm Ø test plug PS and 4 mm Ø safety test plugs, making contact in the bridge shaft

(4) **2.3 mm Ø test plug¹⁾**, consisting of metal part and red insulating sleeve

(5) **Screwdriver**, for actuating the tension spring

(6) **Zack strip**, flat, for labeling the center and outer marker grooves

white	
-------	---

(7) **Zack strip**, 10-section, for labeling in the terminal center

white	
-------	---

Dimensions

Width / length [mm] 8.2 / 86.5
Height (NS 35/7.5 / NS 35/15) [mm] 43.5 / 51

Technical data in accordance with IEC/ DIN VDE

Fuse type ISO/DIS 8820/DIN 72 581-3 -

Maximum current with single arrangement [A] 30

Max. power dissipation

at 23 °C based on E DIN VDE 0611-6: 2001-04 [W] ²⁾

Rated surge voltage / contamination class [kV] / - 6 / 3

Surge voltage category / insulation material group - / - III / I

Connection capacity

Stranded with ferrule with plastic sleeve [mm²] 0.25 - 4

Stranded with ferrule without plastic sleeve [mm²] 0.25 - 4

Stranded with TWIN ferrule with plastic sleeve [mm²] 0.5 - 1

Stripping length [mm] 10

Internal cylindrical gauge (IEC 60 947-1) A 4

Insulating material

Inflammability class in acc. with UL 94 PA

Approval data (UL and CSA/CUL) V0

Nominal voltage / current / conductor sizes UL: [V] / [A] / AWG -

CSA/CUL: [V] / [A] / AWG -

¹⁾ If the fuse is defective, the downstream circuit is not off load.

²⁾ On request.

Type	Order No.	Pcs. Pkt.
ST 4-FSI/C-LED 12	30 36 49 5	50
ST 4-FSI/C-LED 24	30 36 50 5	50
ISH 4/0,5	30 02 88 5	50
ISH 4/1	30 02 89 8	50
FBS 2-8	I_{max} : 41 A	10
FBS 3-8	41 A	10
FBS 4-8	41 A	10
FBS 5-8	41 A	10
FBS 10-8	41 A	10
PAI 4	30 30 92 5	10
MPS-RD	02 01 55 3	10
SZF 1 - 0,6 x 3,5	12 04 51 7	10
ZBF 8:UNPRINTED	08 08 78 1	10
ZB 8:UNPRINTED	10 52 00 2	10
	8.2 / 86.5	
	43.5 / 51	
	C	
	30	
	²⁾	
	6 / 3	
	III / I	
	0.25 - 4	
	0.25 - 4	
	0.5 - 1	
	10	
	A 4	
	PA	
	V0	
	-	
	-	