

THIS DRAWING IS UNPUBLISHED.

RELEASED FOR PUBLICATION

ALL RIGHTS RESERVED.

© COPYRIGHT - By -

LOC

DIST

REVISIONS

変更

DESCRIPTION

DATE

DWN

APVD

J

-

P

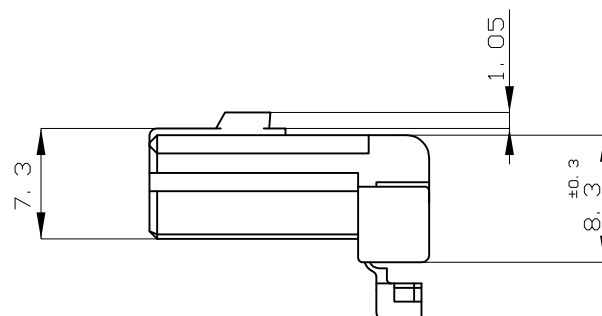
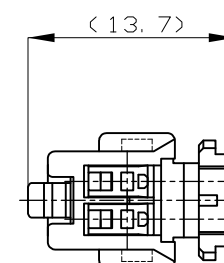
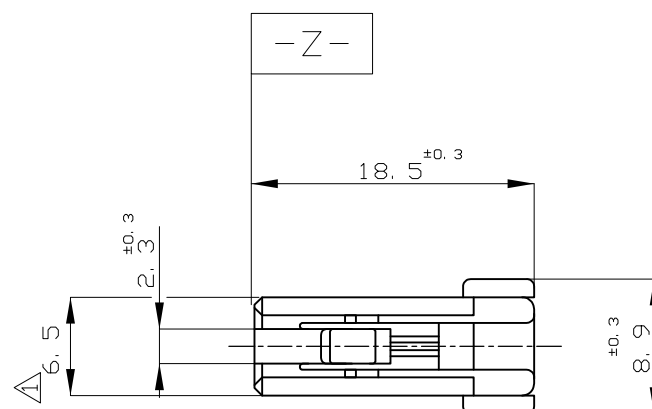
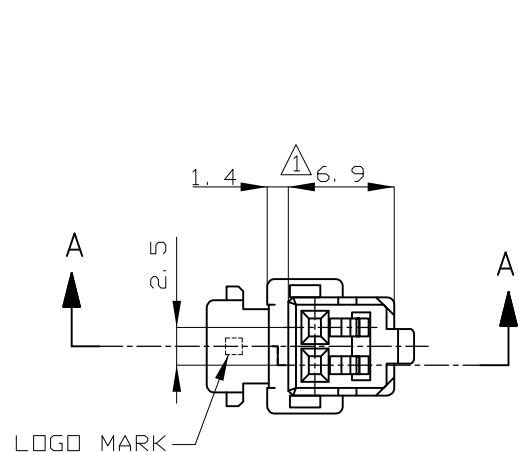
LTR

C1 REVISED PER ECO-11-005140

28MAR11

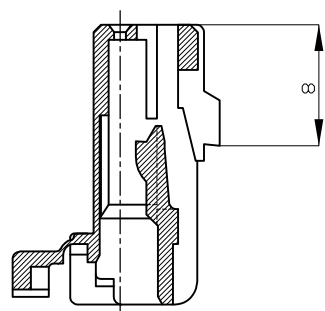
RK

HMR

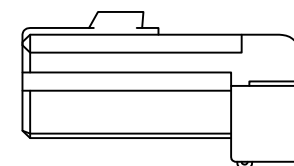


△ TO BE MEASURED WITHIN 2mm FROM -Z-
 2. APPLICABLE CONTACT PART NUMBER, 173681

△ -Z- 面から 2mm の範囲で測定
 2. 適用端子型番、 173681



A-A



二重ロック時
 DOUBLE LOCKED

青 (BLUE)	174056-5
緑 (GREEN)	174056-4
黒 (BLACK)	174056-2
色 (COLOR)	製品型番 (PART NO.)

TOLERANCE UNLESS OTHERWISE SPECIFIED:
 一般公差

0 < x ≤ 10	: ±0.2
10 < x ≤ 30	: ±0.25
30 < x ≤ 100	: ±0.3
ANGLE ; 角度	: ±3°

THIS DRAWING IS A CONTROLLED DOCUMENT.

DIMENSIONS: 単位: 耗 mm	TOLERANCES UNLESS OTHERWISE SPECIFIED: 一般公差
	0 PLC ± -
	1 PLC ± -
	2 PLC ± -
	3 PLC ± -
	4 PLC ± -
	ANGLES ± -
MATERIAL 材料	FINISH 仕上
PBT	-

DWN	M.SUGAWARA	02AUG06
CHK	K.BETSUI	02AUG06
APVD	K.BETSUI	02AUG06
PRODUCT SPEC	製品規格	108-5352
APPLICATION SPEC	取付適用規格	-
WEIGHT	-	-

STE TE Connectivity			
2POSITION PLUG HOUSING 040SERIES MULTI-LOCK CONNECTOR			
SIZE	CAGE CODE	DRAWING NO 番号	RESTRICTED TO
A3	00779	C-174056	-
CUSTOMER DRAWING		SCALE 尺度	SHEET 1 OF 1
		2:1	REV C1