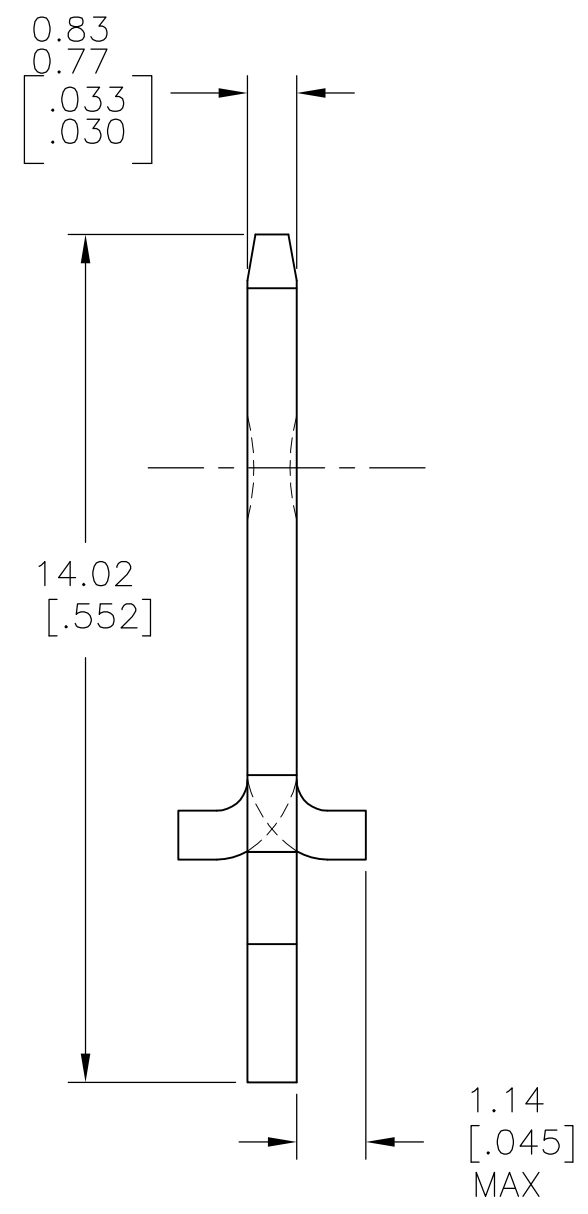
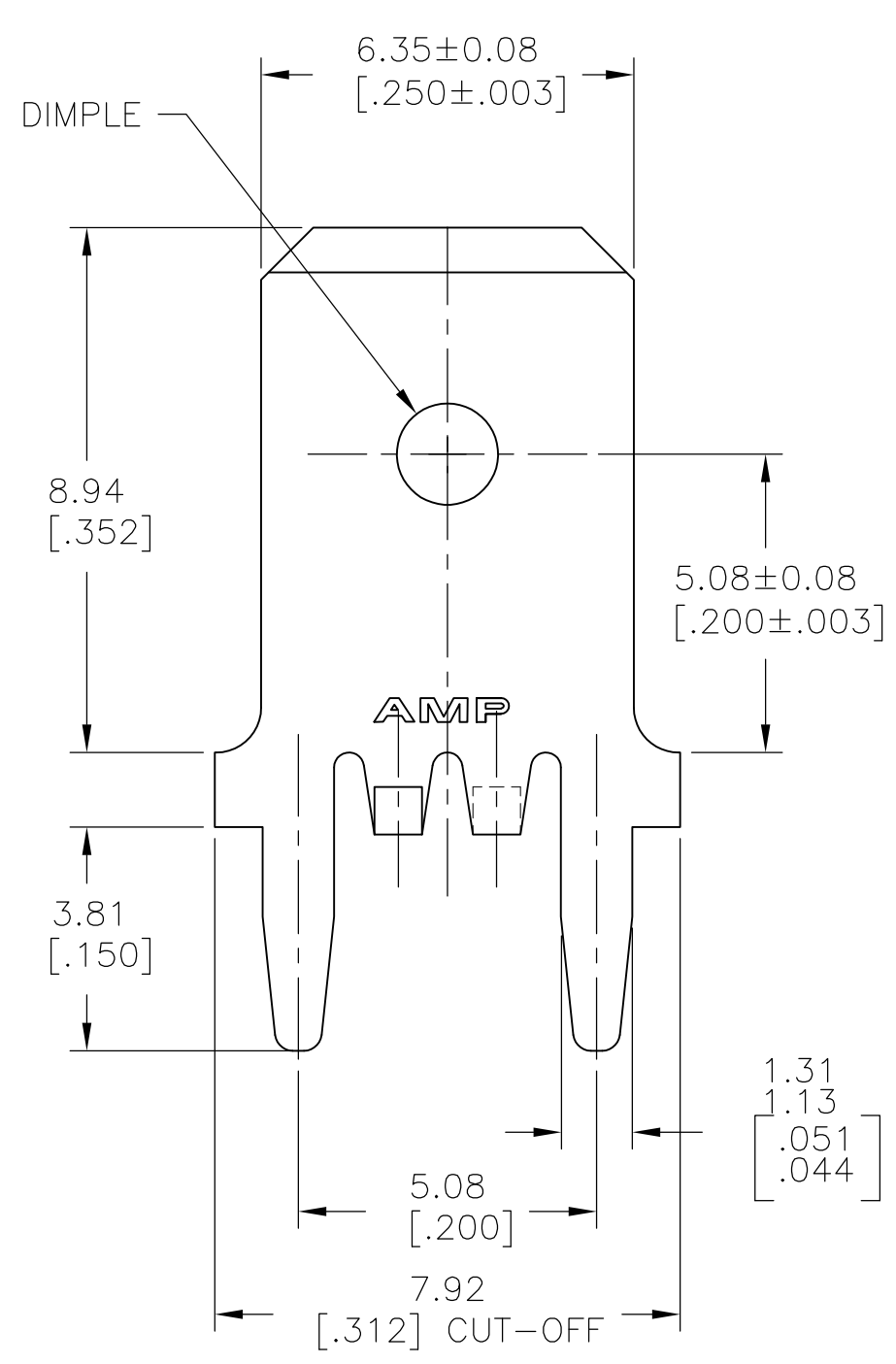
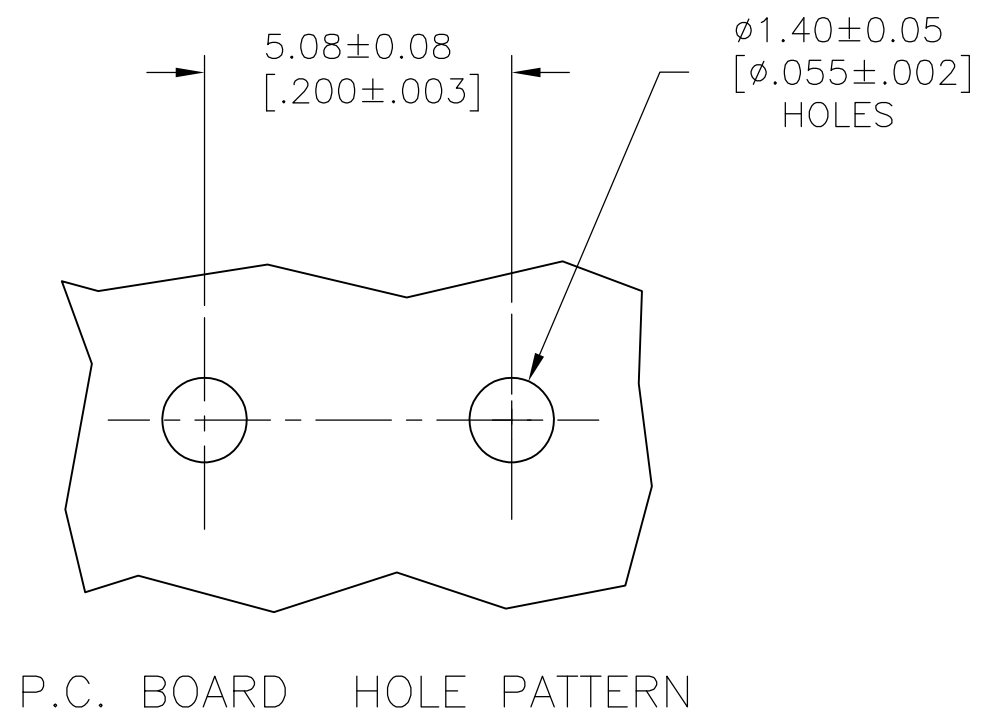


THIS DRAWING IS UNPUBLISHED. RELEASED FOR PUBLICATION
 © COPYRIGHT - By - ALL RIGHTS RESERVED.

LOC	DIST	REVISIONS			
P	LTR	DESCRIPTION	DATE	DWN	APVD
AF	50	B	REVISED PER ECR-13-001204	04JUL13	KH PD



- 1 SUPPLIED IN LOOSE PIECE.
- 2 TIN PLATE 0.00381 [.000150] MIN OVER 0.00254 [.000100] MIN THK COPPER.



1742686-1
 PART NO.

THIS DRAWING IS A CONTROLLED DOCUMENT.		DWN JR RUTH 10MAR08	TE Connectivity		
DIMENSIONS: mm [INCHES]		CHK KURT RANDOLPH 10MAR08			
TOLERANCES UNLESS OTHERWISE SPECIFIED:		APVD KURT RANDOLPH 10MAR08	NAME TAB, FASTON, P.C.BOARD		
0 PLC ± - 1 PLC ± - 2 PLC ± 0.25 [.010] 3 PLC ± - 4 PLC ± - ANGLES ± -		PRODUCT SPEC -	6.35 [.250] LOOSE PIECE		
MATERIAL BRASS		FINISH 2	APPLICATION SPEC 114-2115	SIZE A3	CAGE CODE 00779
			DRAWING NO C-1742686	RESTRICTED TO -	
CUSTOMER DRAWING			WEIGHT -	SCALE 8:1	SHEET 1 OF 1
			REV B		