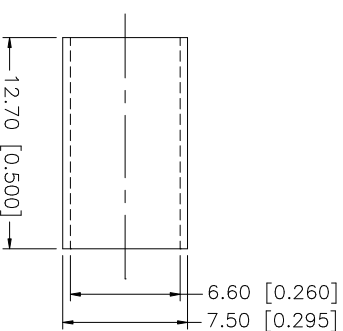
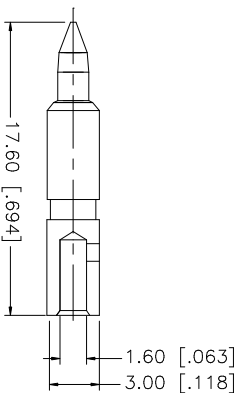
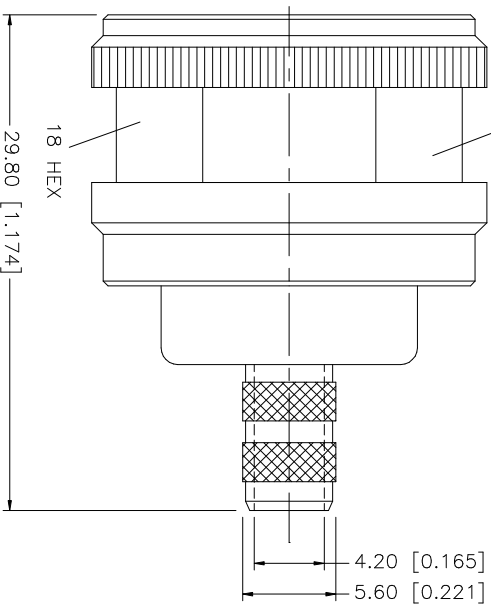
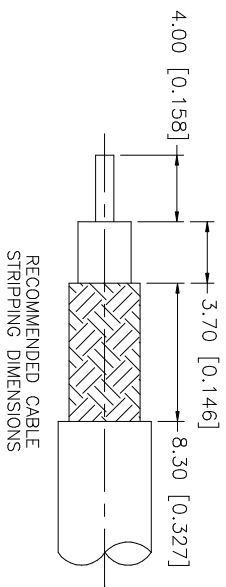


REV.	DATE	DESCRIPTION
NC	05/24/04	INITIAL RELEASE



CRIMP NOTES:

1. CRIMPED FERRULE
HEX CRIMP SIZE ".255"
2. CRIMPED CONTACT PIN
HEX CRIMP SIZE ".100"

NO.	DESCRIPTION	MATERIAL	FINISH	QTY	UNLESS OTHERWISE SPECIFIED DIMENSIONS ARE IN INCHES AND FOR CUSTOMER REFERENCE ONLY.	UNLESS OTHERWISE SPECIFIED DIMENSIONS ARE IN MILLIMETERS AND FOR CUSTOMER REFERENCE ONLY.	UNLESS OTHERWISE SPECIFIED DIMENSIONS ARE IN MILLIMETERS AND FOR CUSTOMER REFERENCE ONLY.	UNLESS OTHERWISE SPECIFIED DIMENSIONS ARE IN MILLIMETERS AND FOR CUSTOMER REFERENCE ONLY.	UNLESS OTHERWISE SPECIFIED DIMENSIONS ARE IN MILLIMETERS AND FOR CUSTOMER REFERENCE ONLY.	UNLESS OTHERWISE SPECIFIED DIMENSIONS ARE IN MILLIMETERS AND FOR CUSTOMER REFERENCE ONLY.
8										
7										
6	FERRULE	BRASS	NEXCOTE	1						
5	CONTACT PIN	BRASS	GOLD	1						
4	GASKET	SILICON	RED	1						
3	INSULATOR	TEFLON	NATURAL	1						
2	BARREL	BRASS	NEXCOTE	1						
1	BODY	BRASS	NEXCOTE	1						
	DESCRIPTION	MATERIAL	FINISH	QTY	DO NOT SCALE DRAWING					

Amphenol Connex

PART DESCRIPTION
N CRIMP PLUG
(FOR LMR-240, RG-8/X CABLE)

DWG. NO. 172135-10.DWG
REV. NC
SIZE A
SCALE NA