

MATERIALS AND FINISHES

BODY: ZINC ALLOY
PLATED NICKEL

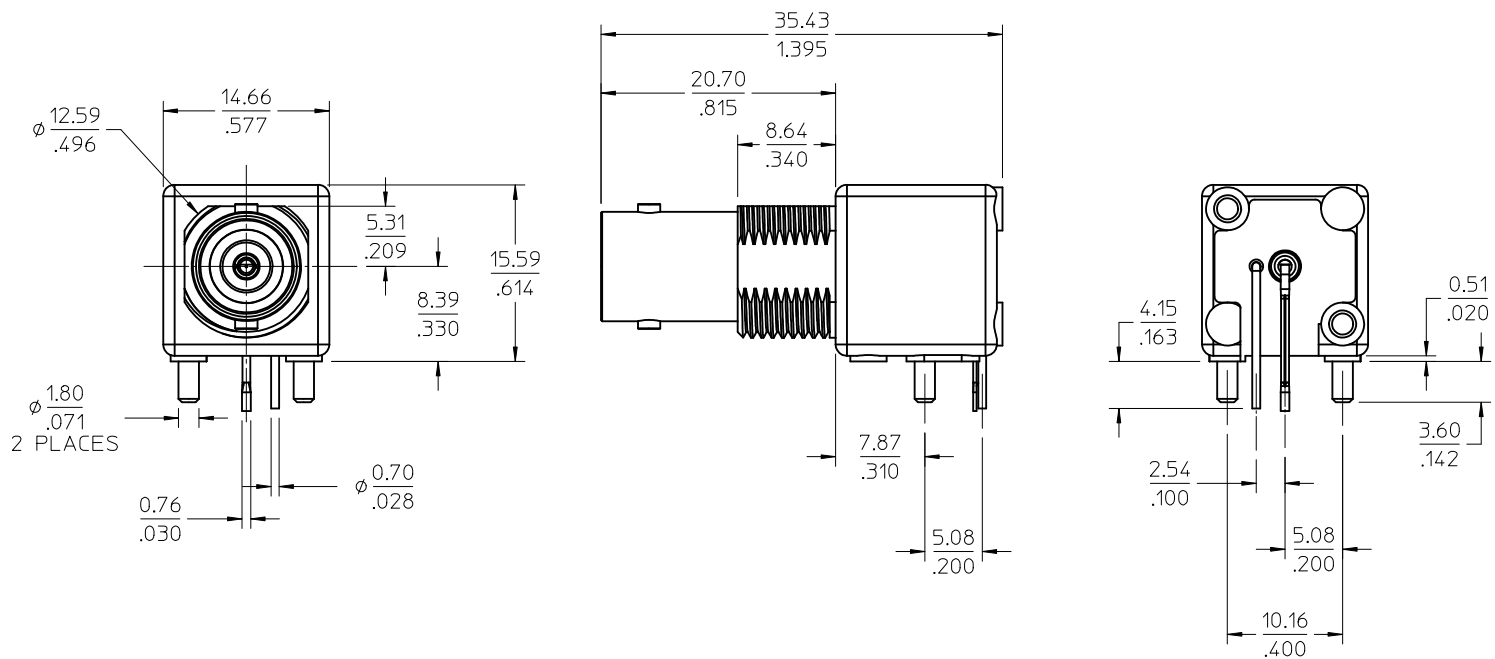
CONTACT: PHOSPHOR BRONZE
PLATED GOLD

INSULATOR: POLYPROPYLENE (94 V-2)

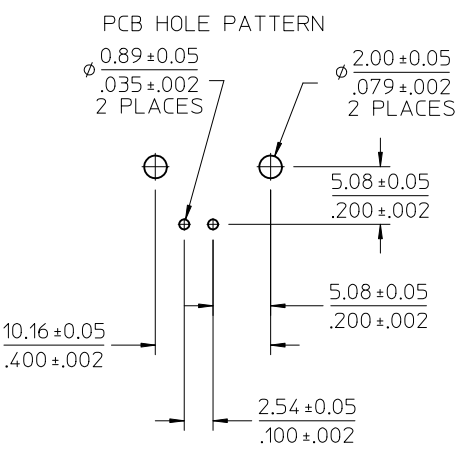
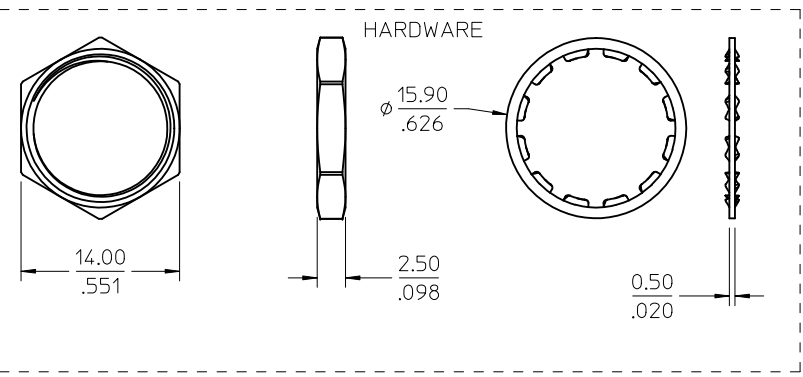
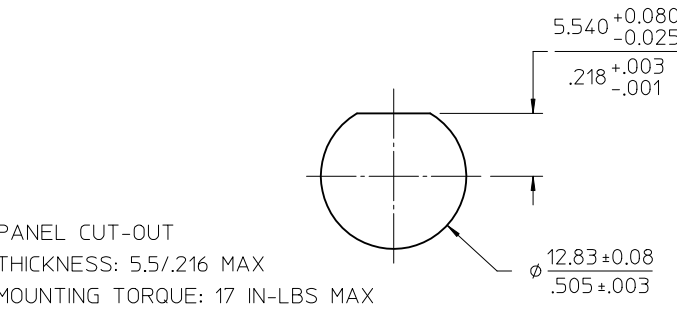
MOUNTING POST: BRASS
PLATED TIN

JAM NUT: BRASS
PLATED NICKEL

SOLDER TAIL: COPPER COVERED STEEL
PLATED TIN



| | | |
|------------|--------------|--|
| 73171-4360 | INCLUDED | QTY (1) OF 73138-5033 IN SINGLE BAG WITH LABEL |
| 73171-3720 | NOT INCLUDED | BULK (TRAY) |
| 73138-5033 | INCLUDED | BULK (TRAY) |
| PART NO. | HARDWARE | PACKAGING |



| | |
|---------------|-----------------------|
| PS-89675-1030 | ELEC/MECH PERFORMANCE |
| SPECIFICATION | DESCRIPTION |

| | | | | | |
|--|-------------------------------|---|--------------------------|---------------------------------|--|
| CHG: ADD 73171-4360 AND LABEL EC NO: URF2012-0448 DRW: BOMALLEY 2012/01/25 CHKD: AZR 2012/02/01 APPR: JWIENER 2012/02/06 G4 | QUALITY SYMBOLS ▽=0 ▽=0 | GENERAL TOLERANCES (UNLESS SPECIFIED) | DIMENSION STYLE MM/IN | SCALE DESIGN UNITS METRIC | THIRD ANGLE PROJECTION |
| | | 4 PLACES ± --- ± --- 3 PLACES ± --- ± --- 2 PLACES ± --- ± --- 1 PLACE ± --- ± --- | DRAWN BY IRIS WANG | DATE 1991/02/26 | TITLE BNC JACK RA BULKHEAD DIECAST 50 OHM BNC-J/PCB |
| | | ANGULAR ± 2 ° | CHECKED BY IRIS WANG | DATE 1991/02/26 | MOLEX INCORPORATED |
| | | DRAFT WHERE APPLICABLE MUST REMAIN WITHIN DIMENSIONS | APPROVED BY R FIELDS | DATE 1991/02/26 | SEE TABLE SD-73138-5033 |
| | | MATERIAL NO. | DOCUMENT NO. | SHEET NO. | 1 OF 1 |
| THIS DRAWING CONTAINS INFORMATION THAT IS PROPRIETARY TO MOLEX INCORPORATED AND SHOULD NOT BE USED WITHOUT WRITTEN PERMISSION | | | | | |