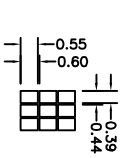
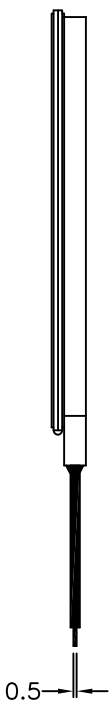
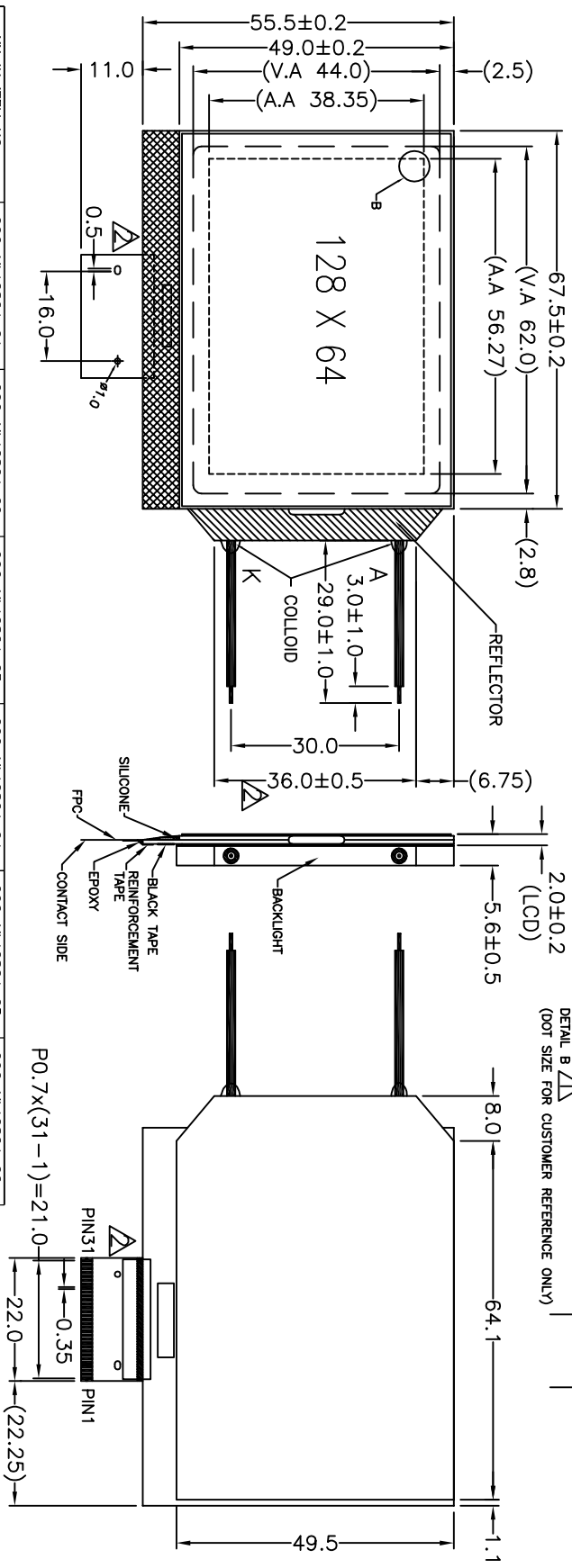


The drawing on this print and information therein are proprietary to Varrtronix and shall not be used in whole or in part without written permission of Varrtronix.



DETAIL B (DOT SIZE FOR CUSTOMER REFERENCE ONLY)



COG-VL12864-01	STN, GREEN MODE +VE, TRANSPARENT	COG-VL12864-02	STN, BLUE +VE, TRANSPARENT	COG-VL12864-03	STN, B&W +VE, TRANSPARENT	COG-VL12864-04	STN, B&W +VE, TRANSPARENT	COG-VL12864-05	STN, SILVER +VE, TRANSPARENT	COG-VL12864-06	STN, B&W +VE, TRANSPARENT
DISP. IN ITEM NO.	COG-VL12864-01	COG-VL12864-02	COG-VL12864-03	COG-VL12864-04	COG-VL12864-05	COG-VL12864-06	COG-VL12864-07	COG-VL12864-08	COG-VL12864-09	COG-VL12864-10	COG-VL12864-11
DISPLAY TYPE	STN, GREEN MODE +VE, TRANSPARENT	STN, BLUE +VE, TRANSPARENT	STN, B&W +VE, TRANSPARENT	STN, B&W +VE, TRANSPARENT	STN, SILVER +VE, TRANSPARENT	STN, B&W +VE, TRANSPARENT	STN, B&W +VE, TRANSPARENT	STN, B&W +VE, TRANSPARENT	STN, B&W +VE, TRANSPARENT	STN, B&W +VE, TRANSPARENT	STN, B&W +VE, TRANSPARENT
DISPLAY RESOLUTION	128 x 64 DOTS	128 x 64 DOTS	128 x 64 DOTS	128 x 64 DOTS	128 x 64 DOTS	128 x 64 DOTS	128 x 64 DOTS	128 x 64 DOTS	128 x 64 DOTS	128 x 64 DOTS	128 x 64 DOTS
VIEWING ANGLE	6.0° CLOCK	6.0° CLOCK	6.0° CLOCK	6.0° CLOCK	6.0° CLOCK	6.0° CLOCK	6.0° CLOCK	6.0° CLOCK	6.0° CLOCK	6.0° CLOCK	6.0° CLOCK
MUX RATIO AND BIAS LEVEL	1/85 DUTY, 1/9 BIAS	1/65 DUTY, 1/9 BIAS	1/65 DUTY, 1/9 BIAS	1/65 DUTY, 1/9 BIAS	1/65 DUTY, 1/9 BIAS	1/65 DUTY, 1/9 BIAS	1/65 DUTY, 1/9 BIAS	1/65 DUTY, 1/9 BIAS	1/65 DUTY, 1/9 BIAS	1/65 DUTY, 1/9 BIAS	1/65 DUTY, 1/9 BIAS
LCD CONTROLLER /DRIVER	S1D15605	S1D15605	S1D15605	S1D15605	S1D15605	S1D15605	S1D15605	S1D15605	S1D15605	S1D15605	S1D15605
LOGIC VOLTAGE	5.0V	5.0V	5.0V	5.0V	5.0V	5.0V	5.0V	5.0V	5.0V	5.0V	5.0V
LCD DRIVING VOLTAGE	~9.5V	~9.2V	~9.2V	~9.2V	~9.2V	~9.2V	~9.2V	~9.2V	~9.2V	~9.2V	~9.2V
OPERATION TEMPERATURE	0°C to +50°C	0°C to +50°C	0°C to +50°C	0°C to +50°C	0°C to +50°C	0°C to +50°C	0°C to +50°C	0°C to +50°C	0°C to +50°C	0°C to +50°C	0°C to +50°C
STORAGE TEMPERATURE	-10°C to +60°C	-10°C to +60°C	-10°C to +60°C	-10°C to +60°C	-10°C to +60°C	-10°C to +60°C	-10°C to +60°C	-10°C to +60°C	-10°C to +60°C	-10°C to +60°C	-10°C to +60°C
REMARK	WITHOUT BACKLIGHT REFER TO SHEET 2	WITH BACKLIGHT, COLOR: BLUE, VLED: 3.4V REFER TO SHEET 1	WITH BACKLIGHT, COLOR: WHITE, VLED: 3.4V REFER TO SHEET 1	WITHOUT BACKLIGHT, REFER TO SHEET 2	WITH BACKLIGHT, COLOR: WHITE, VLED: 3.4V REFER TO SHEET 1	WITHOUT BACKLIGHT, REFER TO SHEET 2	WITH BACKLIGHT, COLOR: WHITE, VLED: 3.4V REFER TO SHEET 1	WITHOUT BACKLIGHT, REFER TO SHEET 2	WITH BACKLIGHT, COLOR: WHITE, VLED: 3.4V REFER TO SHEET 1	WITHOUT BACKLIGHT, REFER TO SHEET 2	WITH BACKLIGHT, COLOR: WHITE, VLED: 3.4V REFER TO SHEET 1

PIN ASSIGNMENT:

1	2	3	4	5	6	7	8	9	10	11	12	13	14	15	16	17	18
IRS	TRM	P/S	CS6	VR	V5	V4	V3	V2	V1	CAP2+	CAP2-	CAP1-	CAP1+	CAP3-	VOUT	VSS	VDD
D7	D6	D5	D4	D3	D2	D1	D0	E_RD	RW_WR	AO	CST	RESET					

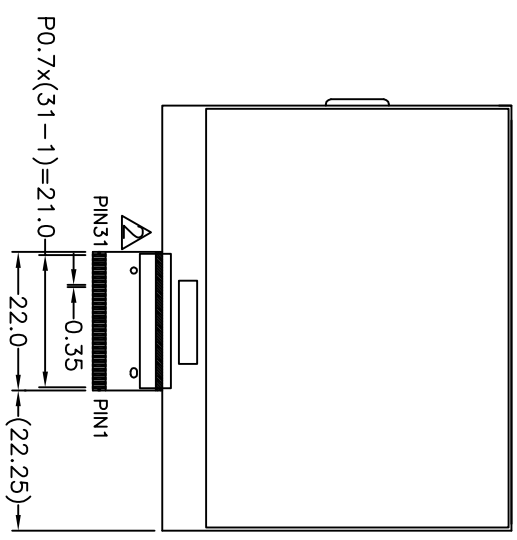
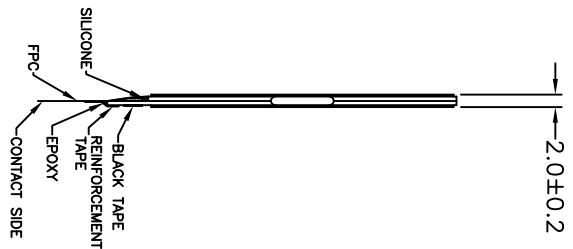
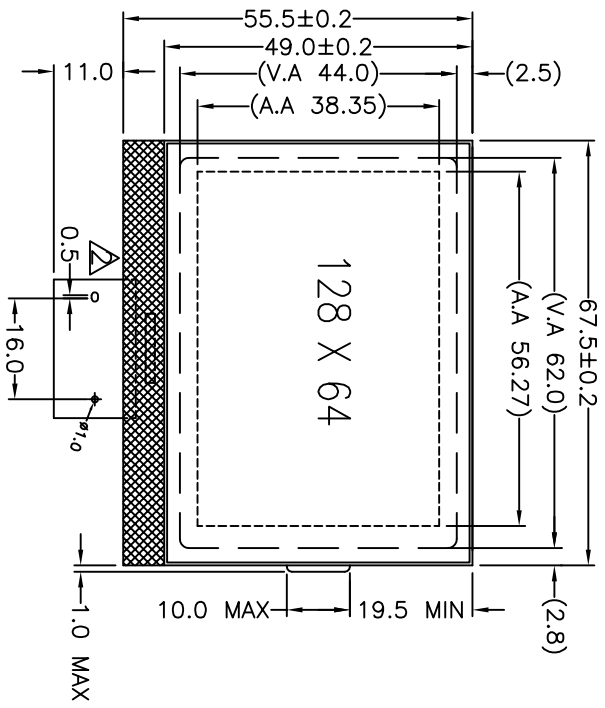
NOTES:
 1. ○ : SPECIAL CHARACTERISTIC
 2. + : SPECIAL CHARACTERISTIC
 3. * : SPECIAL CHARACTERISTIC
 4. (...) : REFERENCE DIMENSION



ISSUE	AMENDMENT	DATE
1	ADD DETAIL B	05.01.03
6	UPDATE THE HOLE OF FPC / ADD NEW ITEM OF -05 / UPDATE TOLERANCE	07.10.17
1	ADD NEW ITEM OF -06	09.07.10

TITLE:MODULE SPEC
PROJECT NO:COG-VL12864
TOLERANCE UNLESS OTHERWISE SPECIFIED: X.X ±0.3 X.XX ±0.1 ANGULAR: ± 1°
MATERIAL: N/A
FINISH: N/A
SCALE: DO NOT ON SCALE
OVERALL THK: SEE DWG
THIRD ANGLE PROJECTION
DRAWN: KEVIN CHOU
CHECKED: HELLEN HE
APPROVED: CHARM
DATE: 09.07.10
DESCRIPTION:COG-VL12864-XX MODULE SPEC
FILE NO:COG-VL12864-XX R3.DWG/REV: 3
SHEET 1 OF 2

The drawing on this print and information therein are proprietary to Vortronix and shall not be used in whole or in part without written permission of Vortronix.



NOTES:

1. ◇ : SPECIAL CHARACTERISTIC
2. + : SAFETY CHARACTERISTIC
3. ▽ : CRITICAL DIMENSION
4. (...): REFERENCE DIMENSION

1 2 3 4 5 6

A

B

C

D

1

2

3

4

5

6

A

B

C

D



VORTTRONIX LIMITED

TITLE:MODULE SPEC

ITEM NO.:COG-VL12864-XX

FILE NO:COG-VL12864-XX R3.DWG/REV: 3

SHEET 2 OF 2