

## Electronic device circuit breaker - EC-E 2A DC24V - 0903043

Please be informed that the data shown in this PDF Document is generated from our Online Catalog. Please find the complete data in the user's documentation. Our General Terms of Use for Downloads are valid (<http://phoenixcontact.com/download>)



Electronic circuit breaker, 1 reset input, nominal current: 2 A

### Your advantages

- ✔ Selective protection of all 24 V DC load circuits at switched-mode power supply units
- ✔ A combination of active electronic current limitation in the event of short circuit and overload shutdown ensures that the circuit breaker can respond to overloads faster than the switched-mode power supply unit
- ✔ The residual current is always limited to 1.3 - 1.8 times the nominal current

### Key Commercial Data

|              |               |
|--------------|---------------|
| Packing unit | 6 pc          |
| GTIN         |               |
| GTIN         | 4046356466899 |

### Technical data

#### General

|  |  |
|--|--|
| Installation instructions              | When mounted in rows without convection cooling, the nominal device current should only be led to a maximum of 80% due to the thermal effect during continuous operation (100% operating factor). Special precautionary measures must be taken in systems or machines, to prevent components from restarting (e.g., use of a safety PLC). Parallel connection of multiple circuit breakers is not permitted. |
| Mounting type                          | DIN rail: 35 mm  |
| Color                                  | black  |
| Flammability rating according to UL 94 | V0   |

#### Electrical data

|                     |                  |
|---------------------|------------------|
| Fuse                | electronic       |
| Fuse type           | Automatic device |
| Rated surge voltage | 0.5 kV           |
| Operating voltage   | 24 V DC          |

# Electronic device circuit breaker - EC-E 2A DC24V - 0903043

## Technical data

### Electrical data

|   |   |
|---|---|
|   | 18 V DC ... 32 V DC                       |
| Nominal current I <sub>N</sub>              | 2 A                                       |
| Required backup fuse                        | not required, integrated failsafe element |
| Dielectric strength                         | max. 32 V DC (Load circuit)               |
| Degree of pollution                         | 2   |
| Switching capacity I <sub>CN</sub>          | Active current limitation                 |
| Closed-circuit current range I <sub>0</sub> | typ. 25 mA ±5 mA (When switched on)       |

### Dimensions

|                  |         |
|------------------|---------|
| Height           | 83 mm   |
| Width            | 12.5 mm |
| Depth            | 80 mm   |
| Height NS 35/7,5 | 83 mm   |
| Height NS 35/15  | 90.5 mm |

### Ambient conditions

|                                 |                                 |
|---------------------------------|---------------------------------|
| Degree of protection            | IP20 (Housing)                  |
| Ambient temperature (operation) | 0 °C ... 50 °C (non-condensing) |

### Connection data

|   |                     |
|---|---------------------|
| Conductor cross section solid min.  | 0.5 mm <sup>2</sup> |
| Conductor cross section solid max.  | 16 mm <sup>2</sup>  |
| Conductor cross section flexible min.   | 0.5 mm <sup>2</sup> |
| Conductor cross section flexible max.   | 16 mm <sup>2</sup>  |
| Conductor cross section AWG min.  | 26                  |
| Conductor cross section AWG max.  | 6                   |
| Conductor cross section flexible, with ferrule without plastic sleeve min.              | 0.5 mm <sup>2</sup> |
| Conductor cross section flexible, with ferrule without plastic sleeve max.              | 10 mm <sup>2</sup>  |
| Conductor cross section flexible, with ferrule with plastic sleeve min.                 | 0.5 mm <sup>2</sup> |
| Conductor cross section flexible, with ferrule with plastic sleeve max.                 | 10 mm <sup>2</sup>  |
| 2 conductors with same cross section, solid min.  | 0.5 mm <sup>2</sup> |
| 2 conductors with same cross section, solid max.  | 4 mm <sup>2</sup>   |
| 2 conductors with same cross section, stranded min.                                     | 0.5 mm <sup>2</sup> |
| 2 conductors with same cross section, stranded max.                                     | 4 mm <sup>2</sup>   |
| 2 conductors with same cross section, stranded, ferrules without plastic sleeve, min.   | 0.5 mm <sup>2</sup> |
| 2 conductors with same cross section, stranded, ferrules without plastic sleeve, max.   | 2.5 mm <sup>2</sup> |
| 2 conductors with same cross section, stranded, TWIN ferrules with plastic sleeve, min. | 0.5 mm <sup>2</sup> |
| 2 conductors with same cross section, stranded, TWIN ferrules with plastic sleeve, max. | 6 mm <sup>2</sup>   |
| Connection method   | Screw connection    |
| Stripping length  | 10 mm               |

## Electronic device circuit breaker - EC-E 2A DC24V - 0903043

### Technical data

#### Connection data

|                       |        |
|-----------------------|--------|
| Screw thread          | M4     |
| Tightening torque max | 1.2 Nm |

#### Standards and Regulations

|                          |                  |
|--------------------------|------------------|
| Standards/specifications | UL 508           |
|                          | CSA 22.2 No. 14  |
|                          | UL 2367          |
|                          | CSA 22.2 No. 142 |
|                          | CSA 22.2 No. 213 |
|                          | UL 1604          |

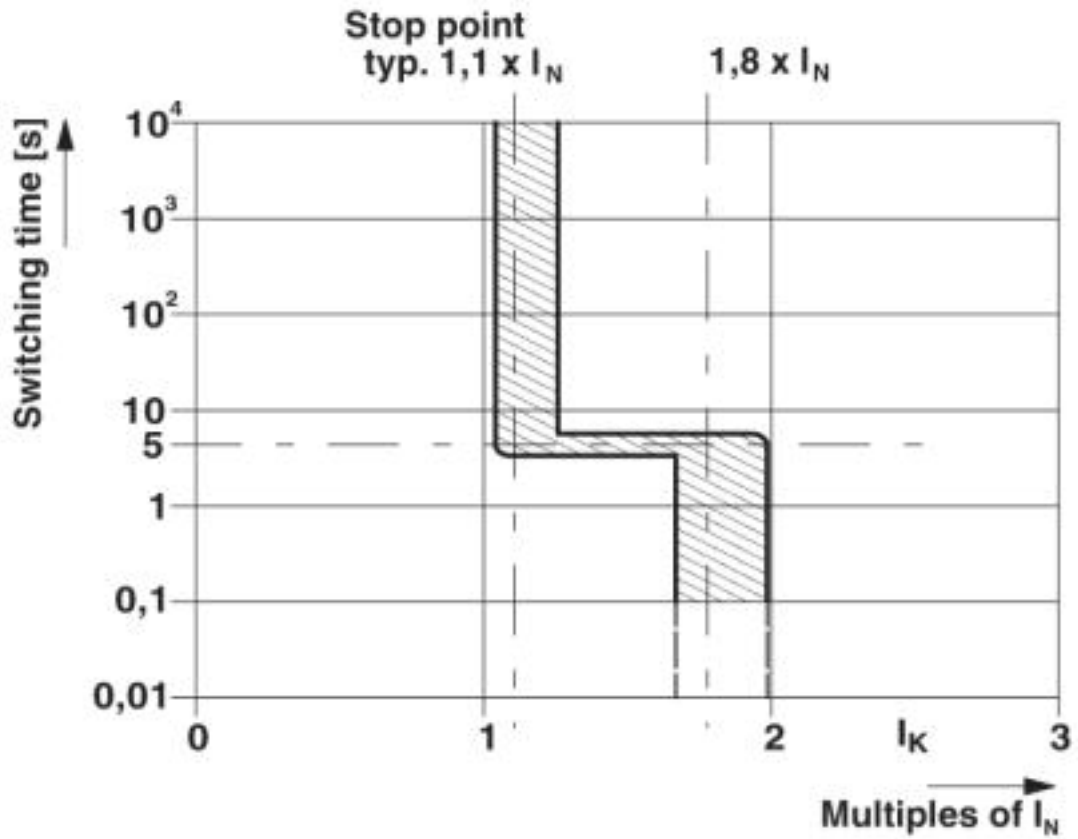
#### Environmental Product Compliance

|            |   |
|------------|---|
|            | Lead 7439-92-1  |
| China RoHS | Environmentally Friendly Use Period = 50  |
|            | For details about hazardous substances go to tab "Downloads", Category "Manufacturer's declaration" |

### Drawings

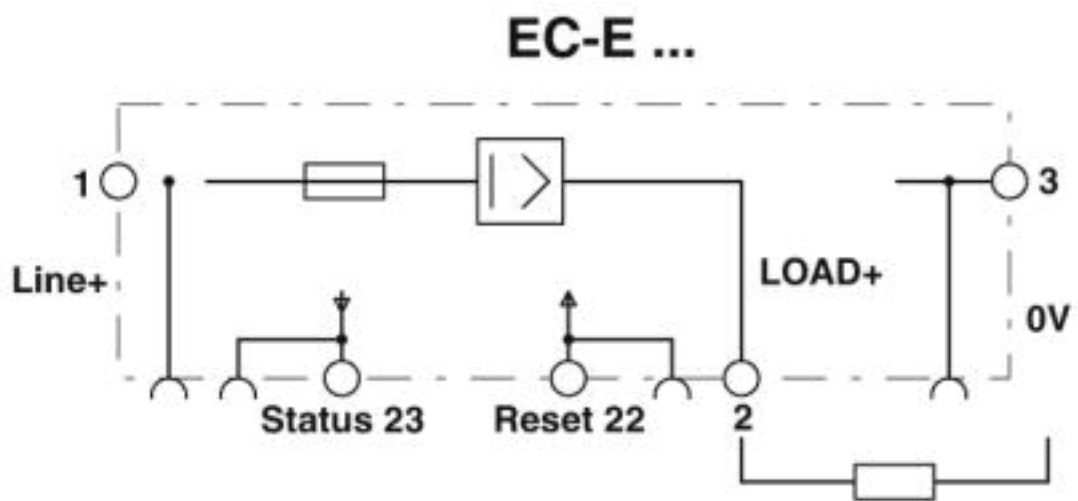
# Electronic device circuit breaker - EC-E 2A DC24V - 0903043

Diagram



Trigger characteristic

Circuit diagram



Approvals

Approvals

# Electronic device circuit breaker - EC-E 2A DC24V - 0903043

## Approvals

---

### Approvals

DNV GL / UL Listed / cUL Listed / EAC / EAC / UL Recognized / cULus Listed

---

### Ex Approvals

UL Recognized / CSA

---

### Approval details

|        |  |   |            |
|--------|--|---|------------|
| DNV GL |  | <a href="https://approvalfinder.dnvgl.com/">https://approvalfinder.dnvgl.com/</a> | TAE00002HC |
|--------|--|---|------------|

|           |  |   |               |
|-----------|--|---|---------------|
| UL Listed |  | <a href="http://database.ul.com/cgi-bin/XYV/template/LISEXT/1FRAME/index.htm">http://database.ul.com/cgi-bin/XYV/template/LISEXT/1FRAME/index.htm</a> | FILE E 140324 |
|-----------|--|---|---------------|

|            |  |   |               |
|------------|--|---|---------------|
| cUL Listed |  | <a href="http://database.ul.com/cgi-bin/XYV/template/LISEXT/1FRAME/index.htm">http://database.ul.com/cgi-bin/XYV/template/LISEXT/1FRAME/index.htm</a> | FILE E 140324 |
|------------|--|---|---------------|

|     |  |  |               |
|-----|--|--|---------------|
| EAC |  |  | EAC-Zulassung |
|-----|--|--|---------------|

|     |  |  |                         |
|-----|--|--|-------------------------|
| EAC |  |  | RU C-<br>DE.A*30.B01546 |
|-----|--|--|-------------------------|

|               |  |   |               |
|---------------|--|---|---------------|
| UL Recognized |  | <a href="http://database.ul.com/cgi-bin/XYV/template/LISEXT/1FRAME/index.htm">http://database.ul.com/cgi-bin/XYV/template/LISEXT/1FRAME/index.htm</a> | FILE E 317172 |
|---------------|--|---|---------------|

|              |  |  |  |
|--------------|--|--|--|
| cULus Listed |  |  |  |
|--------------|--|--|--|

---

Phoenix Contact 2019 © - all rights reserved  
<http://www.phoenixcontact.com>

PHOENIX CONTACT GmbH & Co. KG  
Flachmarktstr. 8  
32825 Blomberg  
Germany  
Tel. +49 5235 300  
Fax +49 5235 3 41200  
<http://www.phoenixcontact.com>