

# Housing - HC-D 50-SMQ-81/O2M25 - 1416383

Please be informed that the data shown in this PDF Document is generated from our Online Catalog. Please find the complete data in the user's documentation. Our General Terms of Use for Downloads are valid (<http://phoenixcontact.com/download>)



Box mounting bases D50, with double locking latch, material: Aluminum die-cast, cable outlets: 2, lateral, height: 81 mm, cable gland: none, support sleeve: yes, 2x M25, Standard



## Key Commercial Data

Packing unit	10 pc
GTIN	
GTIN	4055626072456

## Technical data

### Dimensions

Height	81 mm
Width	59 mm
Length	106 mm

### Ambient conditions

Degree of protection of housing (IP)	IP65
Ambient temperature (operation)	-40 °C ... 125 °C

### General

Note	For contact inserts HC-D25, A16/A32
Size	D50
Housing type	Box mounting bases
Locking type	with double locking latch
No. of cable outlets	2
Cable outlet	lateral
Screw connection	none
Type of the screw connection	2x M25
Housing material	Aluminum die-cast
Housing surface material	Powder-coated, gray

# Housing - HC-D 50-SMQ-81/O2M25 - 1416383

## Technical data

### General

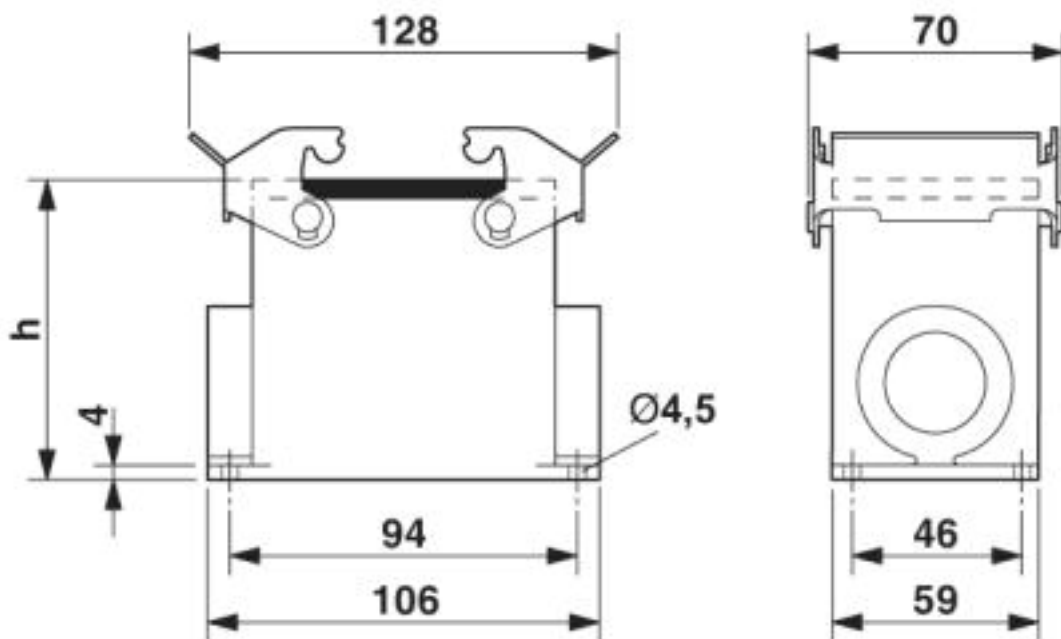
Material lock	Steel, galvanized
---------------	-------------------

### Environmental Product Compliance

China RoHS	Environmentally friendly use period: unlimited = EFUP-e
	No hazardous substances above threshold values

## Drawings

Dimensional drawing



Phoenix Contact 2019 © - all rights reserved  
<http://www.phoenixcontact.com>

PHOENIX CONTACT GmbH & Co. KG  
Flachsmarktstr. 8  
32825 Blomberg  
Germany  
Tel. +49 5235 300  
Fax +49 5235 3 41200  
<http://www.phoenixcontact.com>