

REVISIONS			
LOC	DIST	DESCRIPTION	DATE
-	-		
P	LTR		
A	INITIAL REVISION		120CT2009
			BM ML

**Ausführung:**  
**Workmanship:**

- Leichte Handhabung
- Gehäuse aus glasfaserverstärktem Kunststoff
- Housing made of glass fiber reinforced plastic material
- Farbe: schwarz
- Color: black
- Beanspruchte Teile gehärtet und vergütet
- stressed parts heat treated and tempered
- Griffhebel kunststoffbeschichtet
- plastic coated operating lever
- Farbe: schwarz (ähn. RAL 9005)
- Colour: black (similar RAL 9005)

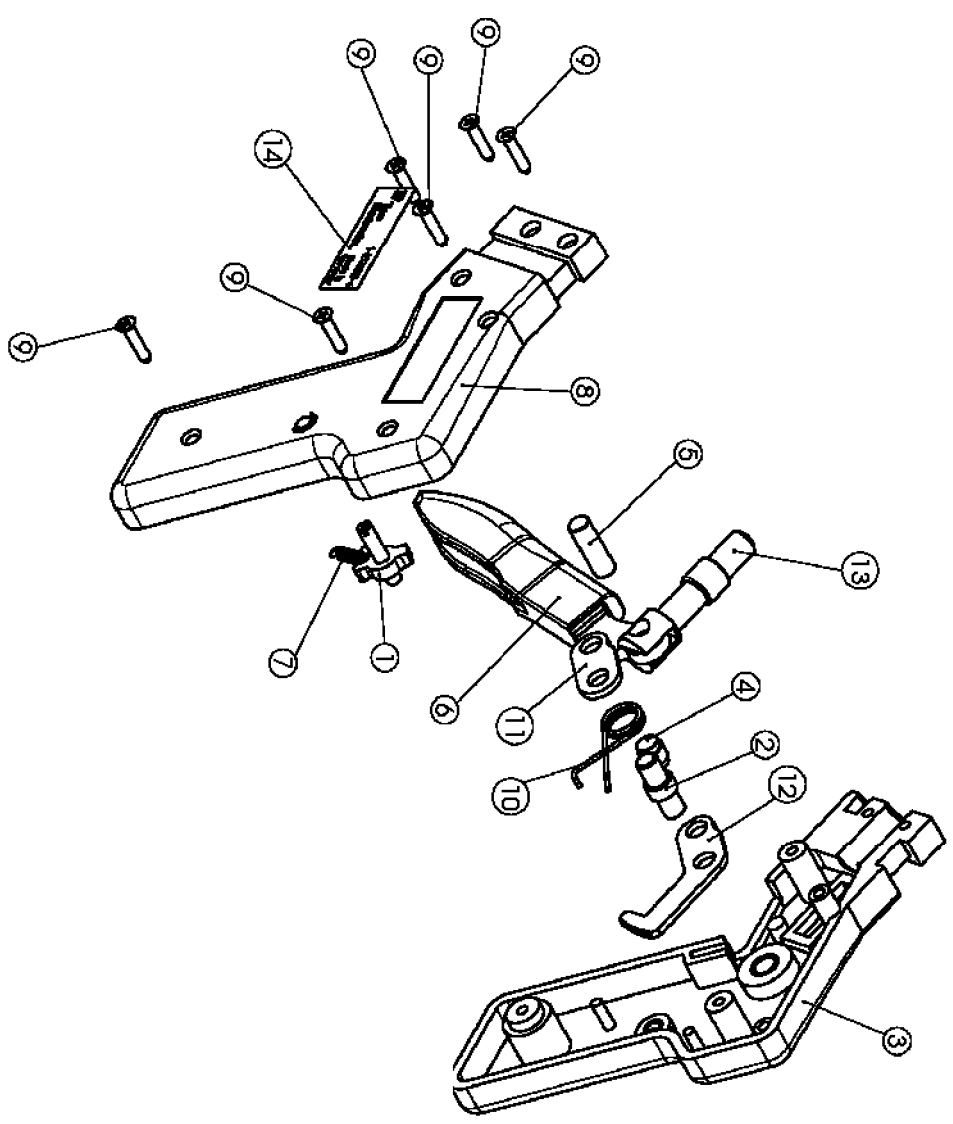
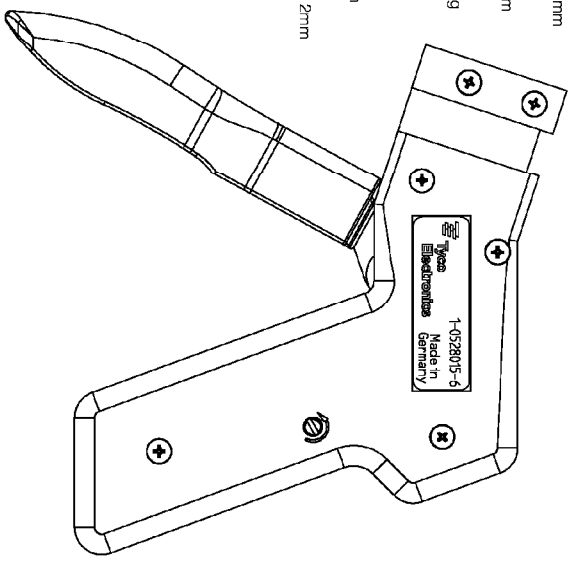
- Voll recyclefähig
- RohSt/Recycling: 2002/95/EG) konform
- Fully recyclable
- RohSt/Directive: 2002/95/EG) compliant

**Abmessungen:**  
**Dimensions:**

- Länge: ca. 120 mm
- Length: approx. 110 mm
- Breite: ca. 24mm
- Width: approx. 24mm
- Gewicht: ca. 200 g
- Weight: approx. 200 g

**Anwendungsbereich:**  
**Application range:**

- Wechselschleife mit max. Hub von ca. 12mm
- Change heads with a max. shift of approx. 12mm



**THIS DRAWING IS A CONTROLLED DOCUMENT.**

DIMENSIONS		TOLERANCES UNLESS OTHERWISE SPECIFIED		DIN		NAME		SCALE		SHEET		REV	
mm		± -		M L W H		Tyco Electronics		A1		1		2	
0 PLC		± -		120CT2009		Tyco Electronics AMP GmbH		B1		1		A	
1 PLC		± -		120CT2009		64625 Bensheim (Germany)		B1		1		A	
2 PLC		± -		120CT2009				B1		1		A	
3 PLC		± -		120CT2009				B1		1		A	
4 PLC		± -		120CT2009				B1		1		A	
5 FINISH		± -		120CT2009				B1		1		A	
6 MATERIAL		± -		120CT2009				B1		1		A	
7 WEIGHT		± -		120CT2009				B1		1		A	
8 APPLICATION SPEC		± -		120CT2009				B1		1		A	
9 CUSTOMER DRAWING		± -		120CT2009				B1		1		A	
10 SIZE		± -		120CT2009				B1		1		A	
11 CASE CODE		± -		120CT2009				B1		1		A	
12 DRAWING NO		± -		120CT2009				B1		1		A	
13		± -		120CT2009				B1		1		A	
14		± -		120CT2009				B1		1		A	

**PISTOL GRIP HANDLE**  
**PISTOL GRIP HANDGRIF**

1-528015-6

