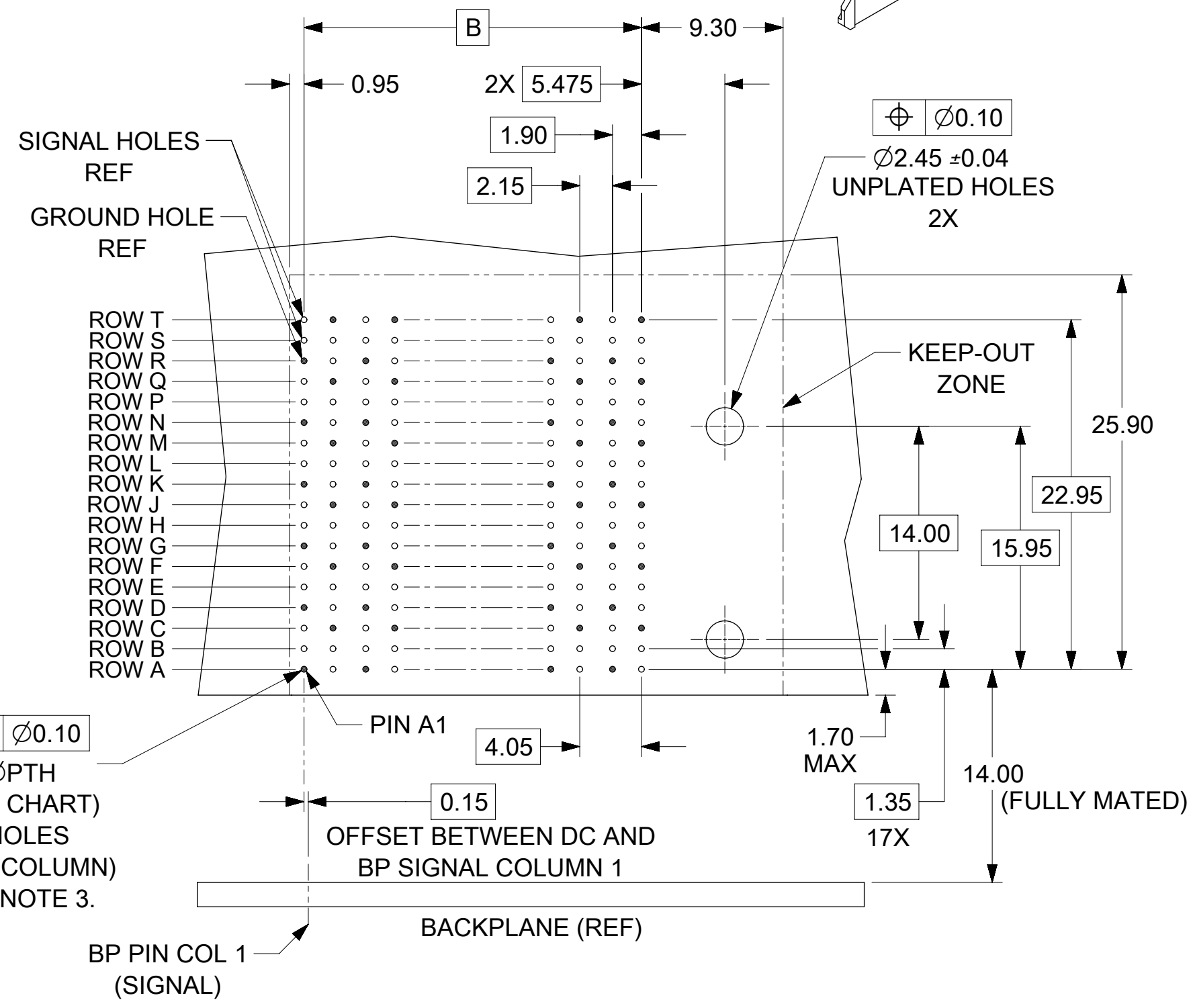
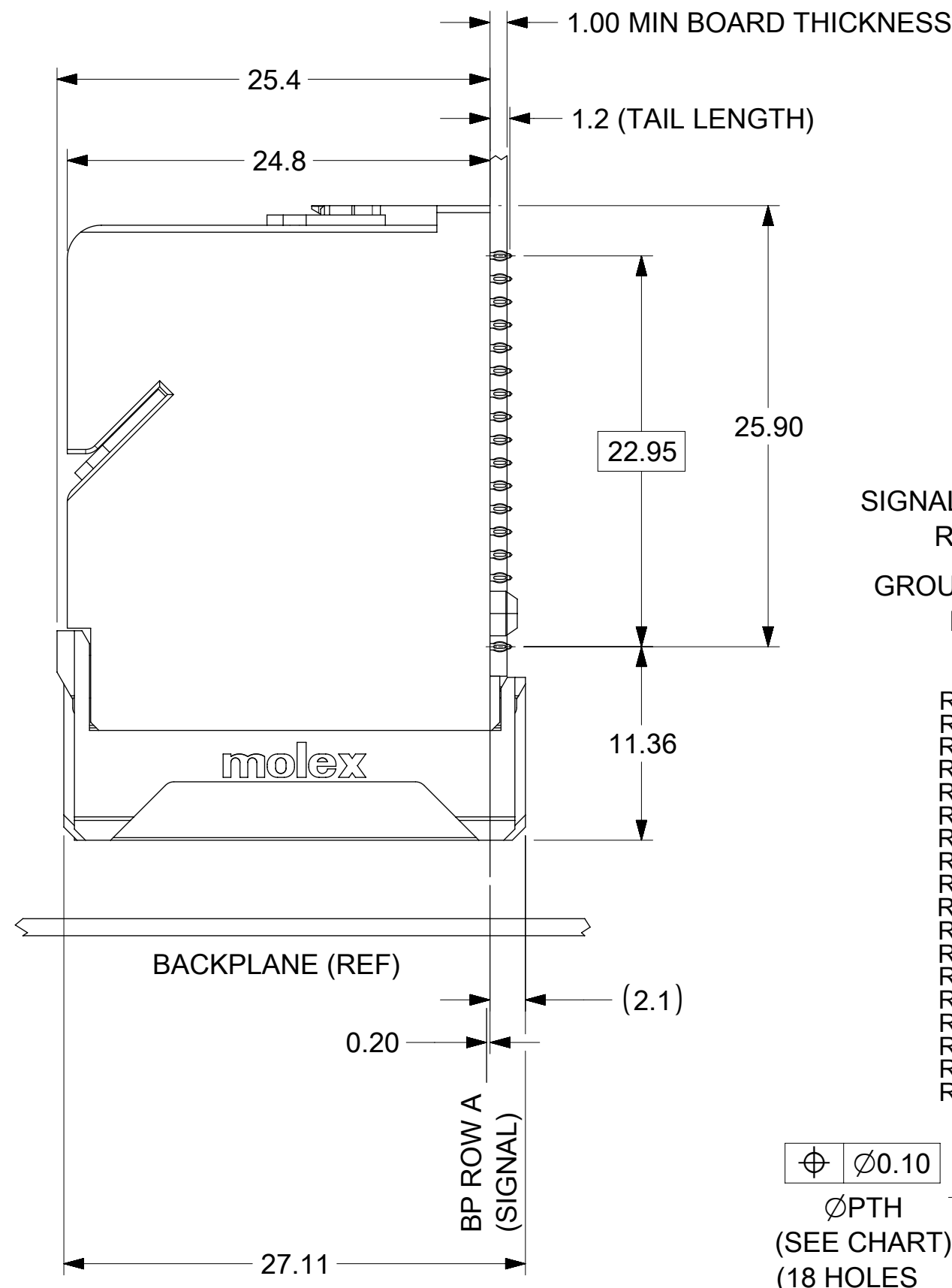
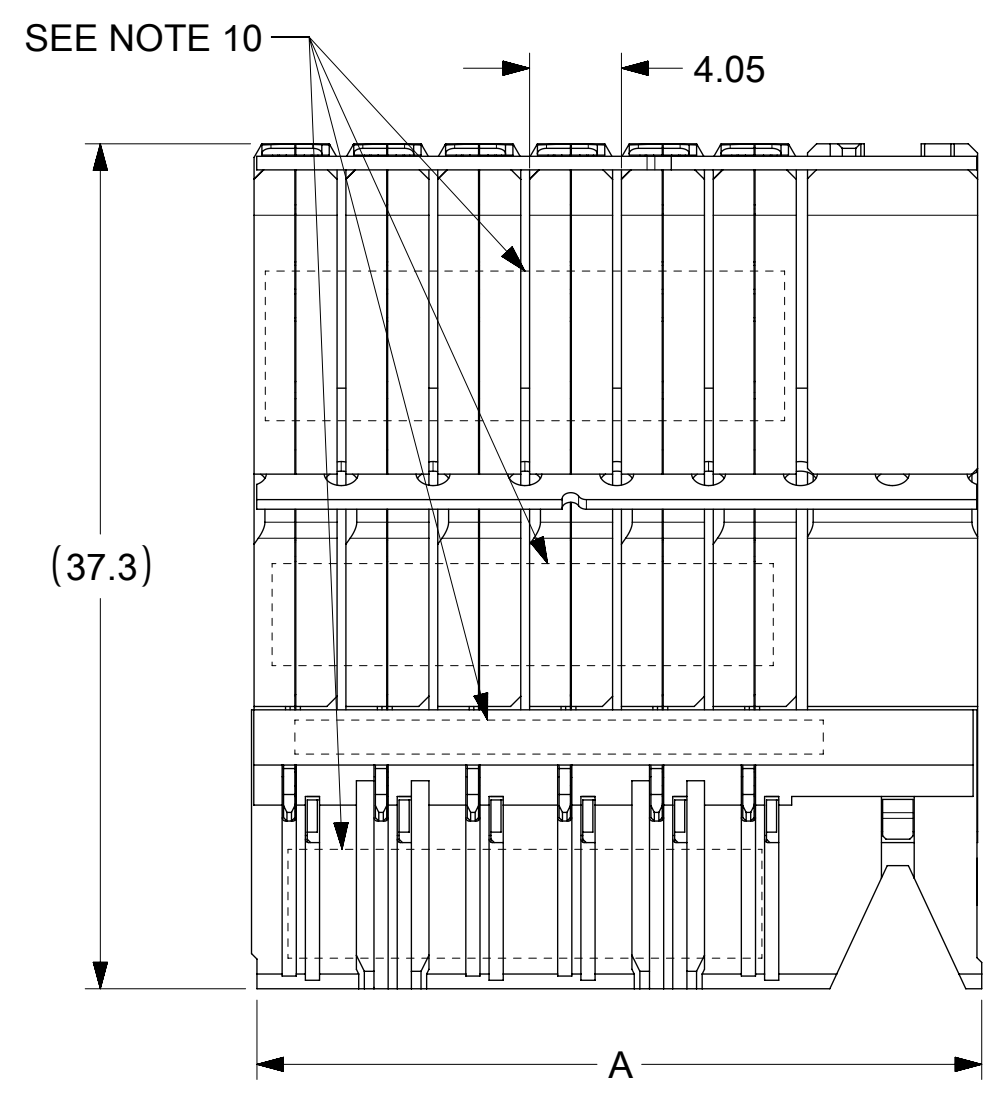
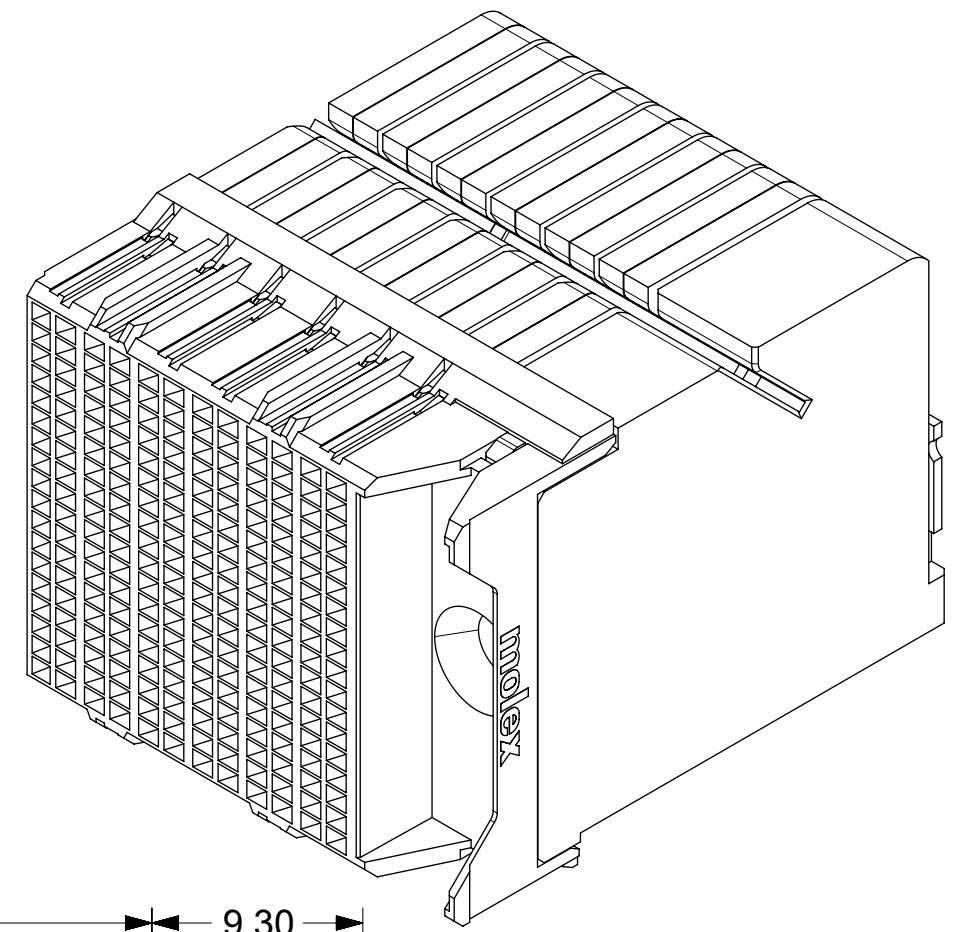


MATERIAL NUMBER	# OF COLUMNS	# OF DIFF PAIR	DIM "A" MAX	DIM "B"	PTH $\phi$
76290-5010	10	60	28.35	18.10	0.46 $\pm$ 0.05
76290-5020	10	60	28.35	18.10	0.39 $\pm$ 0.05
76290-5012	12	72	32.40	22.15	0.46 $\pm$ 0.05
76290-5022	12	72	32.40	22.15	0.39 $\pm$ 0.05

76290-\*0\*\*

MODULE & TAIL PLATING TYPE  
5 = RIGHT GUIDED, LEAD-FREE

# OF COLUMNS  
10 = 10 COL 0.46 PTH  
20 = 10 COL 0.39 PTH  
12 = 12 COL 0.46 PTH  
22 = 12 COL 0.39 PTH



DAUGHTERCARD HOLE PATTERN (CONNECTOR SIDE)

- NOTES:
- MATERIALS: HOUSING - LIQUID CRYSTAL POLYMER (LCP), GLASS-FILLED, UL94V-0  
TERMINALS - HIGH PERFORMANCE COPPER ALLOY
  - FINISH: 30uIN MIN GOLD IN CONTACT AREA. SELECTIVE TIN ON PCB TAILS. NICKEL OVERALL.
  - REFER TO MOLEX PRODUCT SPEC PS-76060-999 FOR PERFORMANCE SPECIFICATIONS AND ADDITIONAL PCB INFORMATION.
  - EACH SIGNAL WAFER CONTAINS 2 COLUMNS OF TERMINALS.
  - PRODUCT IS PACKAGED PER PK-70873-589.
  - THIS PART CONFORMS TO CLASS B REQUIREMENTS OF COSMETIC SPEC PS-45499-002.
  - REFER TO MOLEX SALES DRAWING SD-76285-003 FOR THE MATING HEADERS.
  - WHEN USING MOLEX SUPPLIED #2-32 SCREW 73726-0000 (9.50mm  $\pm$ 0.38 THREADABLE SCREW LENGTH), THE MAXIMUM BOARD THICKNESS IS 4.4mm.
  - REFER TO MOLEX ROUTING GUIDE AS-76850-990 FOR ADDITIONAL PCB LAYOUT AND ROUTING RECOMMENDATIONS.
  - MARKING: LOCATED APPROXIMATELY AS SHOWN. PART NUMBER AND DATE CODE.

THIS DRAWING CONTAINS INFORMATION THAT IS PROPRIETARY TO MOLEX ELECTRONIC TECHNOLOGIES, LLC AND SHOULD NOT BE USED WITHOUT WRITTEN PERMISSION

DIMENSION UNITS	SCALE	CURRENT REV	DESC: MIGRATED TO NX
mm	NTS		
GENERAL TOLERANCES (UNLESS SPECIFIED)			
ANGULAR TOL	$\pm$ 0.5°	EC NO:	615081
4 PLACES	$\pm$	DRWN:	PMHADEVAPPA 2019/03/12
3 PLACES	$\pm$	CHK'D:	MAZAM 2019/04/04
2 PLACES	$\pm$ 0.15	APPR:	BOKOK 2019/04/05
1 PLACE	$\pm$ 0.25	INITIAL REVISION:	
0 PLACES	$\pm$	DRWN:	JLAURX 2010/01/11
		APPR:	JBINGHAM 2010/01/14
DRAFT WHERE APPLICABLE MUST REMAIN WITHIN DIMENSIONS	THIRD ANGLE PROJECTION	DRAWING	SERIES
		C-SIZE	76290
DOCUMENT STATUS	P1	RELEASE DATE	2019/04/05 07:41:21
		MATERIAL NUMBER	SEE CHART
		CUSTOMER	GENERAL MARKET
		DOC TYPE	PSD
		DOC PART	001
		DOC PART	D3
		REVISION	
		SHEET NUMBER	1 OF 1

SD-76290-004