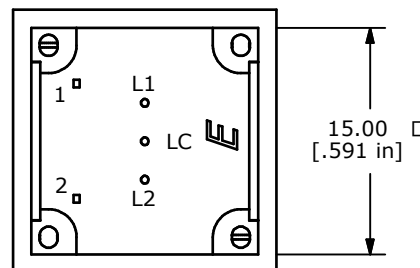
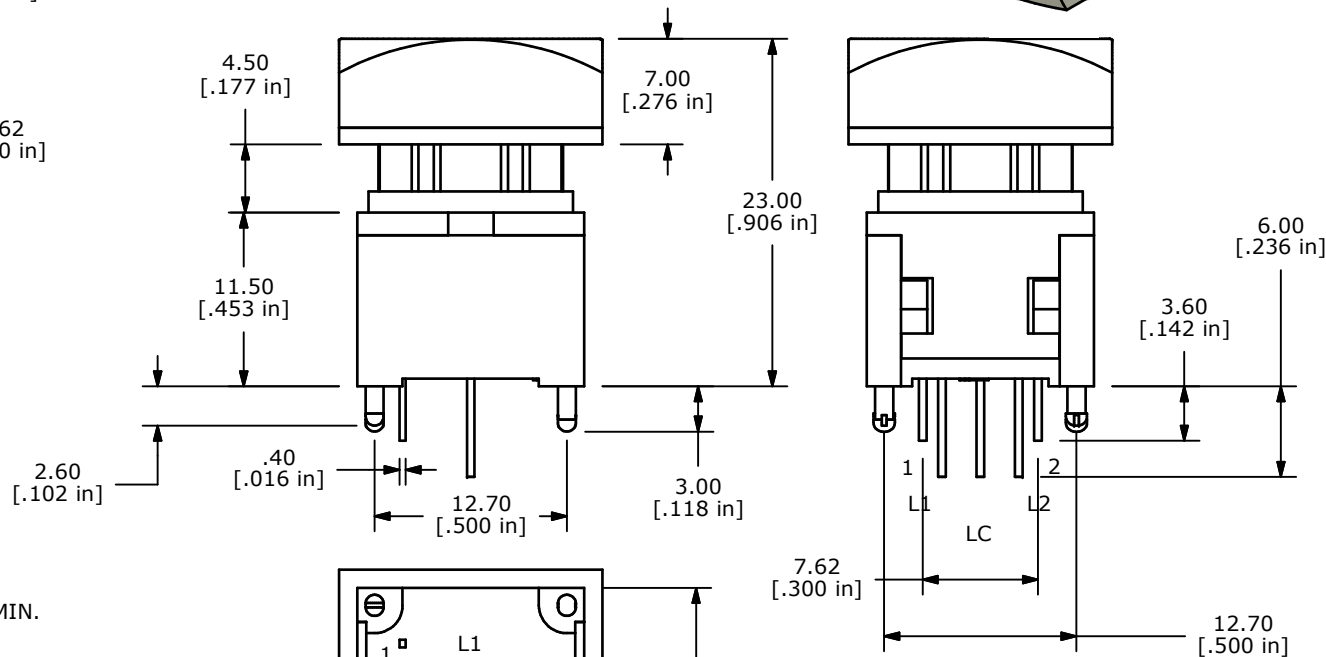
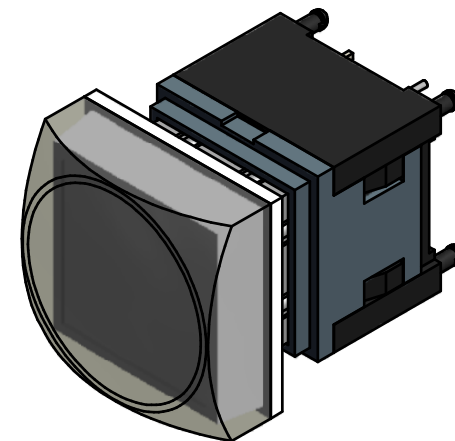
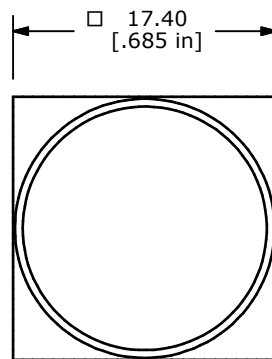


- NOTES:
1. ALL DIMENSIONS IN MM [INCH]
  2. GENERAL TOLERANCE: X.X=± 0.4  
X.XX=± 0.25
  3. TERM. NOS. FOR REFERENCE ONLY.
  4. RATING: 100mA @ 12VDC
  5. CONTACT MATERIAL: GOLD PLATED B
  6. CONTACT RESISTANCE: 200 Milli-OHM MAX.
  7. INSULATION RESISTANCE: 500VDC, 100 MEGA-OHM MIN.
  - ▲ 8. OPERATING FORCE: 250 ± 100GF
  9. MECHANICAL LIFE: 1,000,000 CYCLES
  10. OPERATING TEMP: -20°C TO +70°C
  11. LED COLORS: BLUE-BLUE
  12. TRAVEL: 4.50mm±0.20
  13. 2002/95/EC (ROHS) COMPLIANT
  14. ▲ DENOTES CRITICAL PARAMETER.



LED SPECS	UNITS	BLUE	BLUE
FORWARD CURRENT	mA	20	20
FORWARD VOLTAGE @20mA	V	3.3-3.8	3.3-3.8
LUMINOUS INTENSITY @ 20mA	mcd	70	70

B	21454	CHANGE CONTACT MATERIAL TO GOLD	5/13/14	EBP
A	19491	Release for Production	12/03/10	BMA
REV	PCR NO	DESCRIPTION	DATE	BY

E-SWITCH®

LAMB INDUSTRIES

TITLE LP110A1NCSBB

SCALE	2	DATE	12/3/2010	DR	BMA	DWG	B231015	REV	B
-------	---	------	-----------	----	-----	-----	---------	-----	---

THE INFORMATION CONTAINED IN THIS DOCUMENT IS PROPRIETARY TO E-SWITCH AND IS NOT TO BE COPIED OR TRANSFERRED