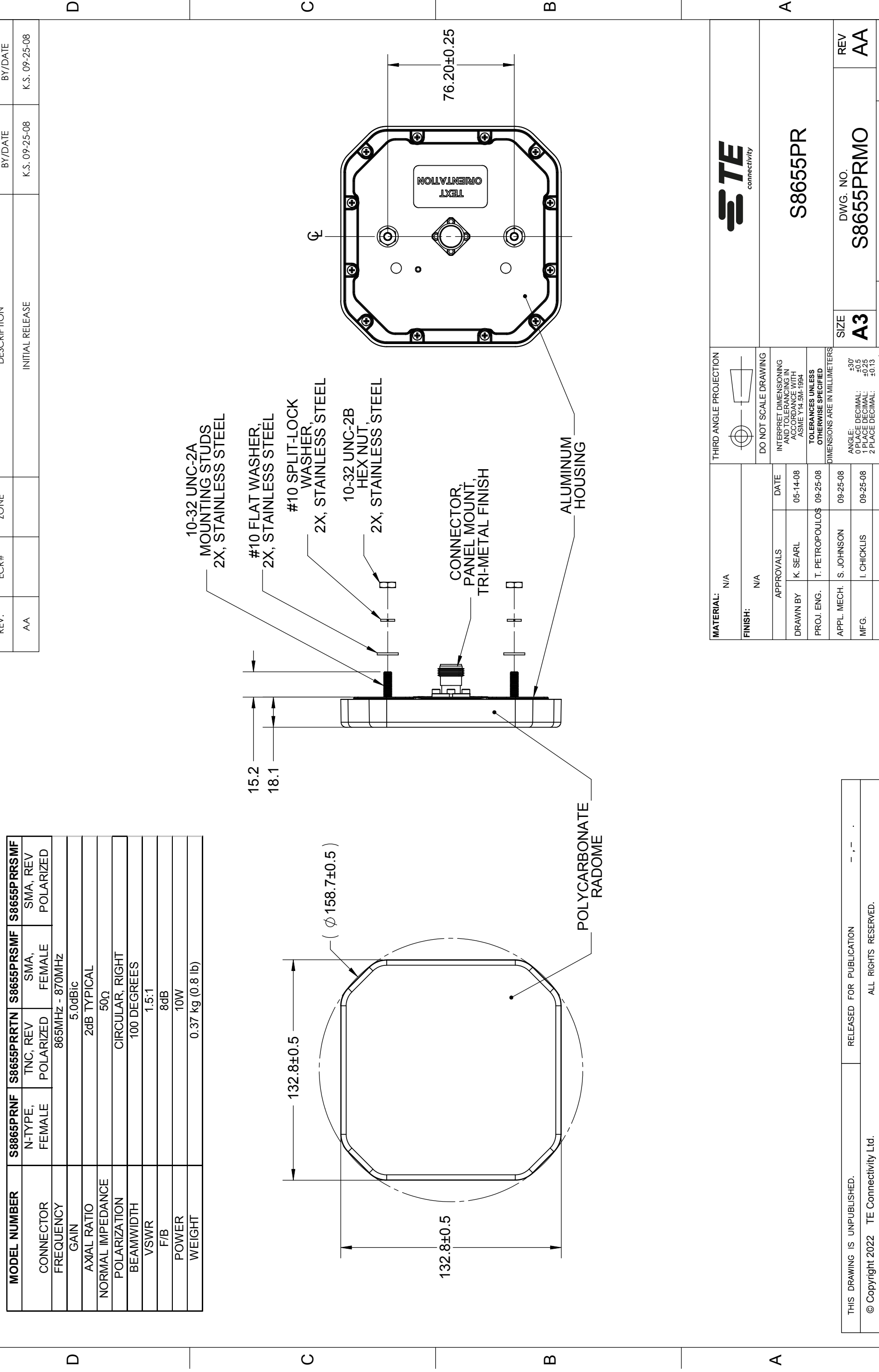
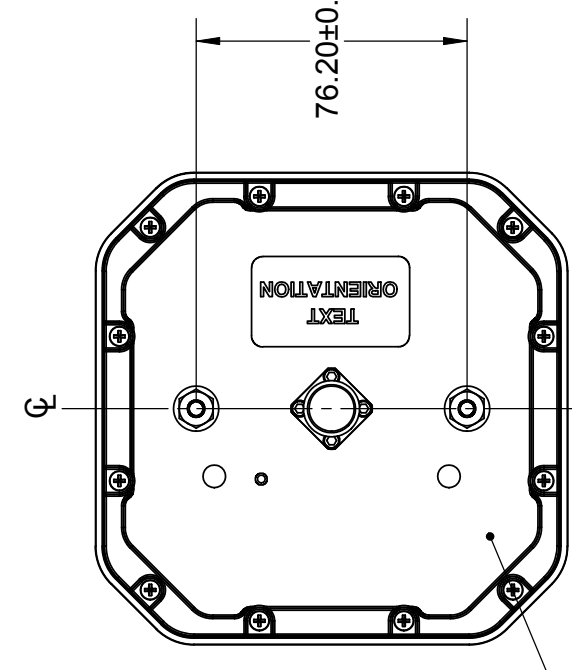
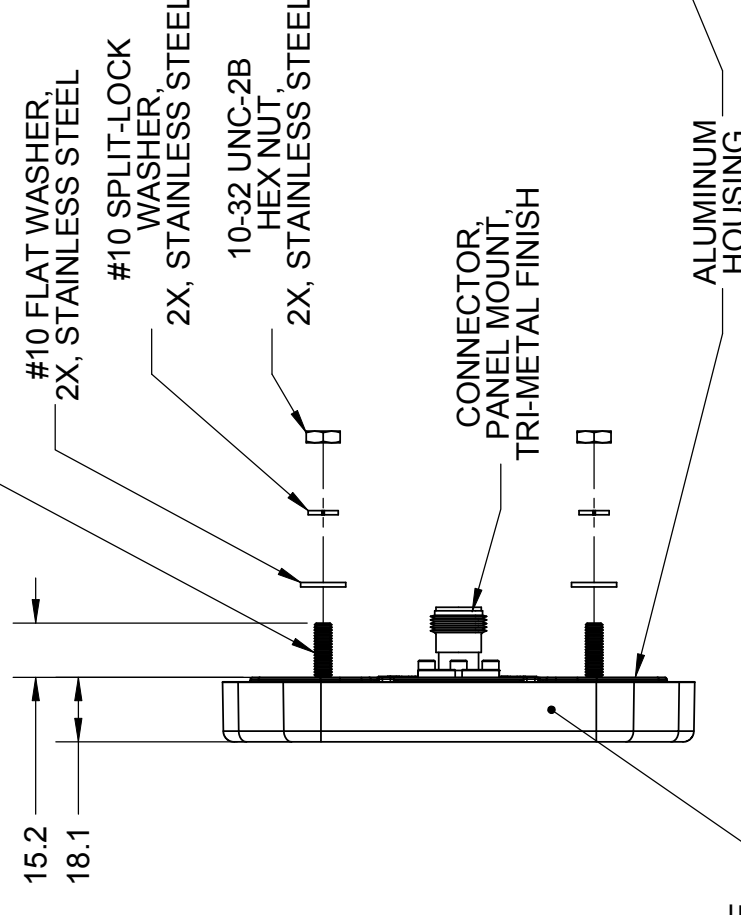
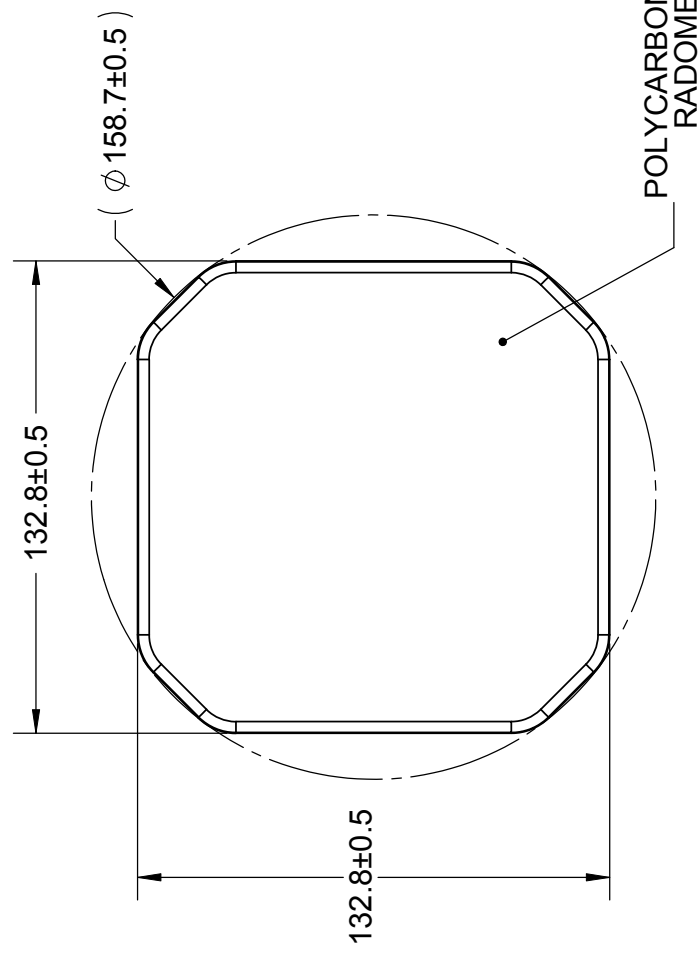


MODEL NUMBER	S8865PRNF	S8655PRRTN	S8655PRSMF	S8655PRRSMF
CONNECTOR	N-TYPE, FEMALE	TNC, REV POLARIZED	SMA, FEMALE	SMA, REV POLARIZED
FREQUENCY	865MHz - 870MHz			
GAIN	5.0dBic			
AXIAL RATIO	2dB TYPICAL			
NORMAL IMPEDANCE	50Ω			
POLARIZATION	CIRCULAR, RIGHT			
BEAMWIDTH	100 DEGREES			
VSWR	1.5:1			
F/B	8dB			
POWER	10W			
WEIGHT	0.37 kg (0.8 lb)			

REV.	ECR#	ZONE	DESCRIPTION	CHANGED BY/DATE	APPROVED BY/DATE
AA			INITIAL RELEASE	K.S. 09-25-08	K.S. 09-25-08

REVISIONS



MATERIAL: N/A		THIRD ANGLE PROJECTION	
FINISH: N/A		DO NOT SCALE DRAWING	
APPROVALS	DATE	INTERPRET DIMENSIONING AND TOLERANCING IN ACCORDANCE WITH ASME Y14.5M-1994	
DRAWN BY: K. SEARL	05-14-08	TOLERANCES UNLESS OTHERWISE SPECIFIED	
PROJ. ENG.: T. PETROPOULOS	09-25-08	DIMENSIONS ARE IN MILLIMETERS	
APPL. MECH.: S. JOHNSON	09-25-08	ANGLE: DECIMAL: ±30°	
MFG.: I. CHICKLIS	09-25-08	1 PLACE DECIMAL: ±0.25	
		2 PLACE DECIMAL: ±0.13	
		SURFACE ROUGHNESS: 1.6	



S8655PR

REV	AA	DWG. NO.	S8655PRMO
SIZE	A3	PREVIOUS#	
SCALE:	1:2		

THIS DRAWING IS UNPUBLISHED.
 © Copyright 2022 TE Connectivity Ltd.
 RELEASED FOR PUBLICATION
 ALL RIGHTS RESERVED.