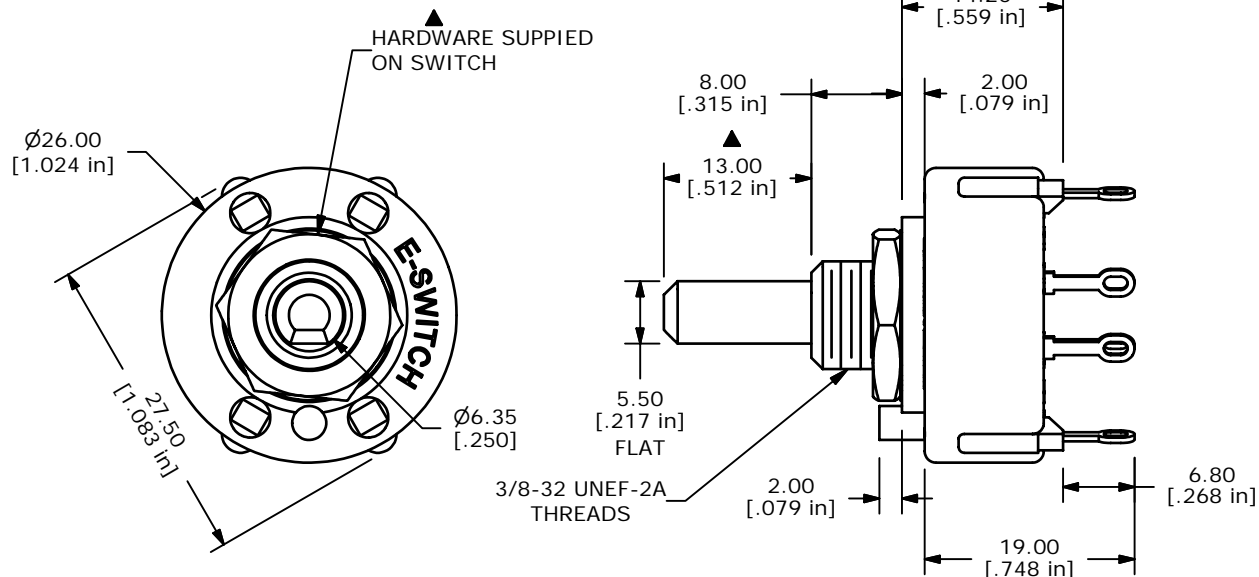
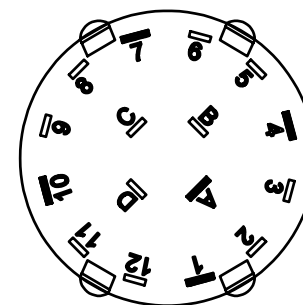
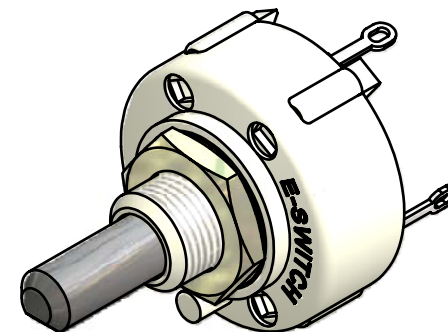


CONTACT CONFIGURATION  
TIMING (BBM) NON-SHORTING



NOTE:

1. ALL DIMENSIONS IN MM[INCH].
2. GENERAL TOLERANCE: X.X=±0.4  
X.XX=±0.25
3. TERM. NOS. FOR REFERENCE ONLY.
4. CONTACT MATERIAL: SILVER
5. CONTACT RATING: 150MILLIAMP, 250VAC/DC  
350MILLIAMP, 110VAC/DC
6. CONTACT RATING (NON-SWITCHING) 5A
7. OPERATING FORCE 425±100CM/STANDARD
8. OPERATING TEMP: -30°C TO 85°C
- ▲9. CIRCUIT SP: 4 POSITION, 90° INDEX.
10. DIELECTRIC STRENGTH: 1000V RMS MIN. @ SEA LEVEL.
- ▲11. HARDWARE SUPPLIED ON SWITCH:  
LOCKWASHER, HEXNUT, STOP RING
12. ▲ DENOTES CRITICAL PARAMETER.



C	16369	FIXED NOTE 9	8/28/06	BO
B	16359	CHANGED NOTE 9	8/22/06	BO
A	13996	RELEASED FOR PRODUCTION	5/11/04	AR
REV	PCR NO	DESCRIPTION	DATE	BY

THE INFORMATION CONTAINED IN THIS DOCUMENT IS PROPRIETARY TO E-SWITCH AND IS NOT TO BE COPIED OR TRANSFERRED



TITLE KC58A13.001NLS				
SCALE	DATE	DR	DWG	REV
1.5:1	5/11/2004	AR	G510985	C