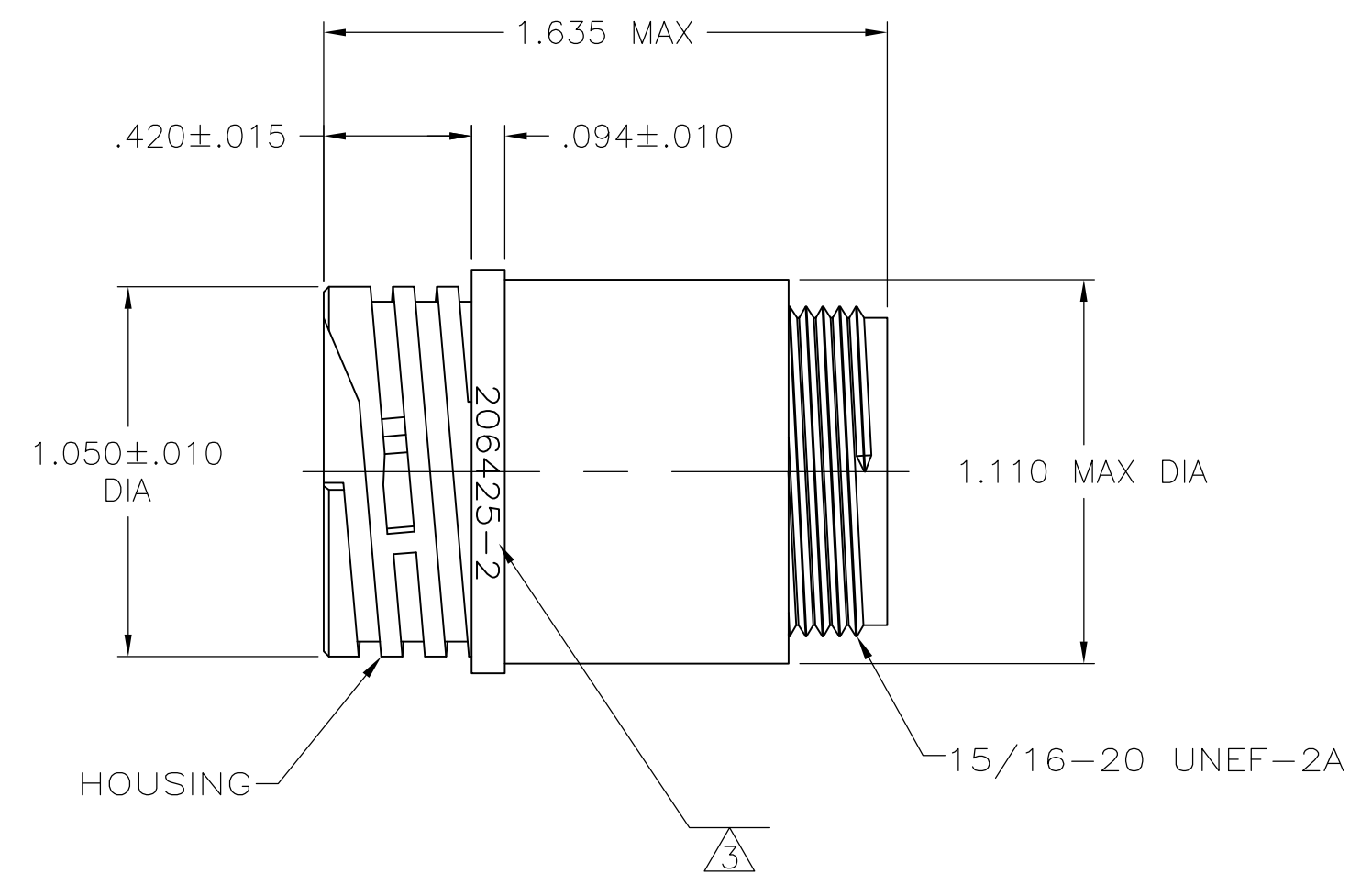
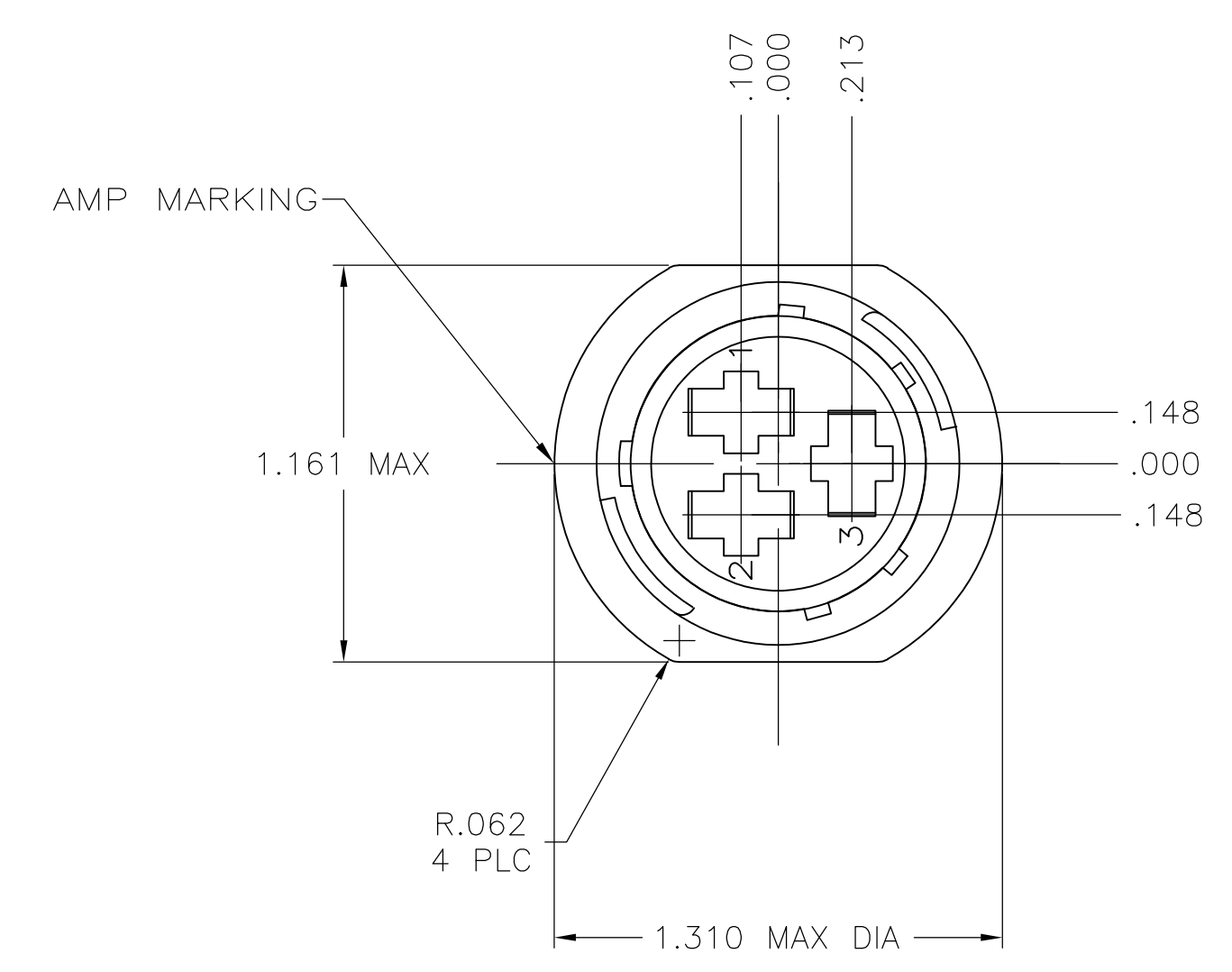


RECOMMENDED PANEL CUTOUT

DETAIL A



DETAIL B

- NOTES:**
- CAVITY IDENTIFICATION ON FRONT AND REAR FACE.
 - WILL ACCEPT (3) TYPE XII SOCKET CONTACTS.
- ⚠ PART NUMBER AND "AMP" INSIGNIA CAN BE LOCATED ON ANY FLANGE EDGE.

4-40 THREADED INSERTS	NO	A	206425-5
.150±.003	YES	A	206425-3
.150±.003	NO	B	206425-2
.150±.003	NO	A	206425-1
C	PERIPHERAL SEAL	SEE DETAIL	PART NUMBER

THIS DRAWING IS A CONTROLLED DOCUMENT.		DIN M. BINNER 06/01/94	STE TE Connectivity	
DIMENSIONS: INCHES		CHK R. STONE 6-23-94	NAME	
TOLERANCES UNLESS OTHERWISE SPECIFIED:		PRODUCT SPEC 108-10024		
0 PLC ± -		APPLICATION SPEC		
1 PLC ± -		SIZE A1		
2 PLC ± .005		CAGE CODE 00779		
3 PLC ± -		DRAWING NO 206425		
4 PLC ± -		RESTRICTED TO		
ANGLES ± -		WEIGHT		
FINISH		SCALE 2:1		
MATERIAL HOUSING: NYLON, BLACK SEAL: ELASTOMER, GREY		SHEET 1 OF 1		
CUSTOMER DRAWING		REV J1		