

## Type 1/2 surge protection device - POWERSET BC/3/FM - 2858108

Please be informed that the data shown in this PDF Document is generated from our Online Catalog. Please find the complete data in the user's documentation. Our General Terms of Use for Downloads are valid (<http://download.phoenixcontact.com>)

AEC arrester combination, consisting of 3 x FLT 35 CTRL 0.9 and 3 x VAL-MS 230/FM incl. bridges and labeling



### Key commercial data

Packing unit	1 PCE
Weight per Piece (excluding packing)	952.2 GRM
Custom tariff number	85363030
Country of origin	Germany

### Technical data

#### Dimensions

Height	112.4 mm
Width	106.2 mm
Depth	65.5 mm
Pitch unit	6 Div.

#### Ambient conditions

Degree of protection	IP20
----------------------	------

#### General

Housing material	PA
Color	black
Mounting type	DIN rail: 35 mm
Design	DIN rail module, two-section, divisible
Surge protection fault message	Optical (Type 2 arrester), remote indication contact (Type 2 arrester)
Direction of action	3L-N/PE

#### Protective circuit

# Type 1/2 surge protection device - POWERSET BC/3/FM - 2858108

## Technical data

### Protective circuit

IEC test classification	I + II
EN type	T1 + T2
Nominal voltage $U_N$	230 V AC
Maximum continuous operating voltage $U_C$ (L-PE)	260 V AC
Impulse discharge current (10/350) $\mu$ s, charge	50 As
Impulse discharge current (10/350) $\mu$ s, peak value $I_{imp}$	100 kA
Voltage protection level $U_P$ (L-N)	$\leq 0.9$ kV
Voltage protection level $U_P$ (L-PE)	$\leq 0.9$ kV
Max. required backup fuse with branch wiring	125 A (gL)
Short-circuit current self-quenching	3 kA (260 V)

### Connection, protective circuit

Connection type IN	Biconnect screw terminal block
Connection type OUT	Biconnect screw terminal block
Conductor cross section stranded min.	0.5 mm <sup>2</sup>
Conductor cross section stranded max.	25 mm <sup>2</sup>
Conductor cross section solid min.	0.5 mm <sup>2</sup>
Conductor cross section solid max.	35 mm <sup>2</sup>
Conductor cross section AWG/kcmil min.	20
Conductor cross section AWG/kcmil max	2

### Remote indicator contact

Connection name	Remote fault indicator contact
Switching function	PDT contact
Conductor cross section stranded min.	0.14 mm <sup>2</sup>
Conductor cross section stranded max.	1.5 mm <sup>2</sup>
Conductor cross section solid min.	0.14 mm <sup>2</sup>
Conductor cross section solid max.	1.5 mm <sup>2</sup>
Conductor cross section AWG/kcmil min.	28
Conductor cross section AWG/kcmil max	16

## Classifications

### eCl@ss

eCl@ss 4.0	27140201
eCl@ss 4.1	27140201
eCl@ss 5.0	27140201
eCl@ss 5.1	27140201

# Type 1/2 surge protection device - POWERSET BC/3/FM - 2858108

## Classifications

### eCl@ss

eCl@ss 6.0	27140201
eCl@ss 7.0	27140201

### ETIM

ETIM 2.0	EC001457
ETIM 3.0	EC001457
ETIM 4.0	EC001457
ETIM 5.0	EC001457

### UNSPSC

UNSPSC 6.01	30212010
UNSPSC 7.0901	39121610
UNSPSC 11	39121610
UNSPSC 12.01	39121610
UNSPSC 13.2	39121620

## Approvals

### Approvals

---

#### Approvals

GOST

---

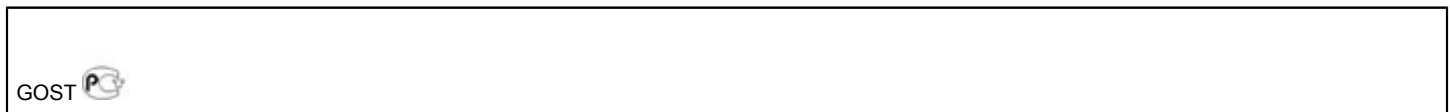
#### Ex Approvals

---

Approvals submitted

---

### Approval details



## Accessories

Accessories

End block

# Type 1/2 surge protection device - POWERSET BC/3/FM - 2858108

## Accessories

End clamp - CLIPFIX 35 - 3022218

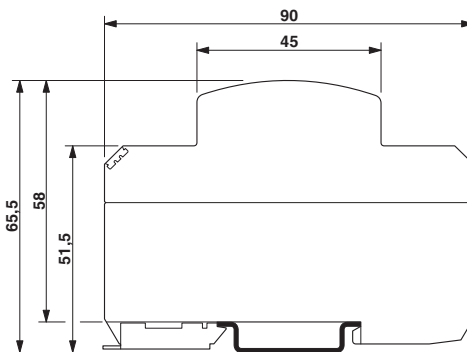


Quick mounting end clamp for NS 35/7,5 DIN rail or NS 35/15 DIN rail, with marking option, width: 9.5 mm, color: gray

---

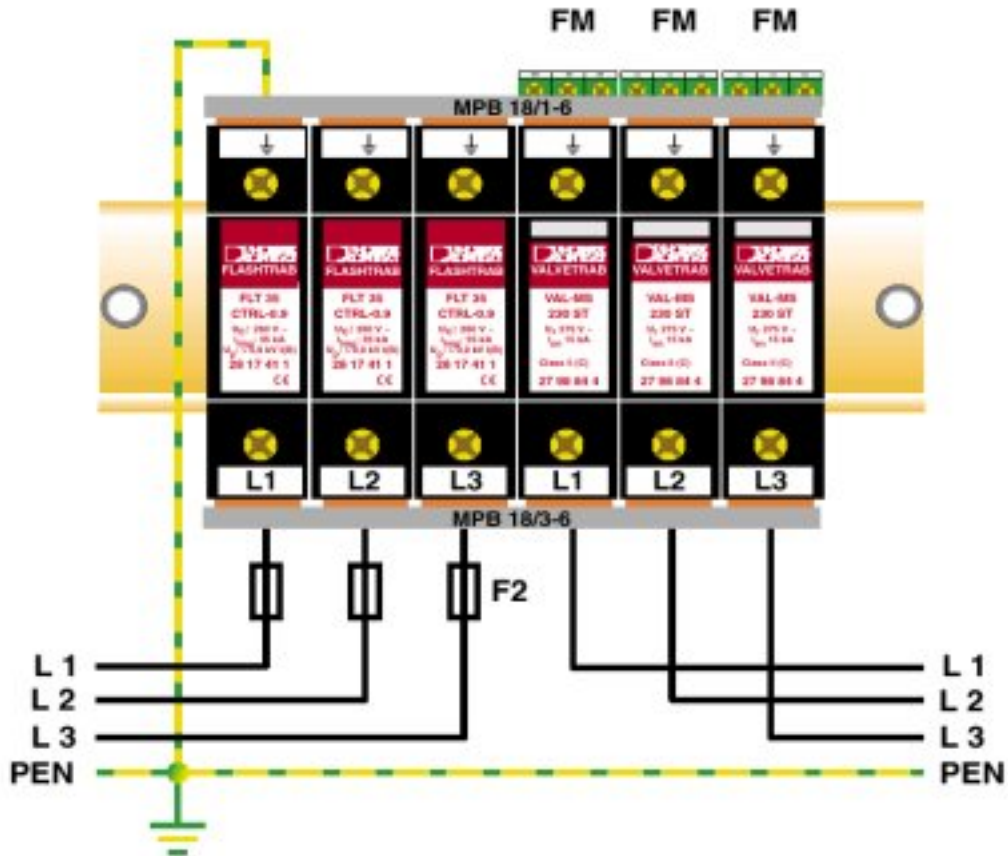
## Drawings

Dimensioned drawing



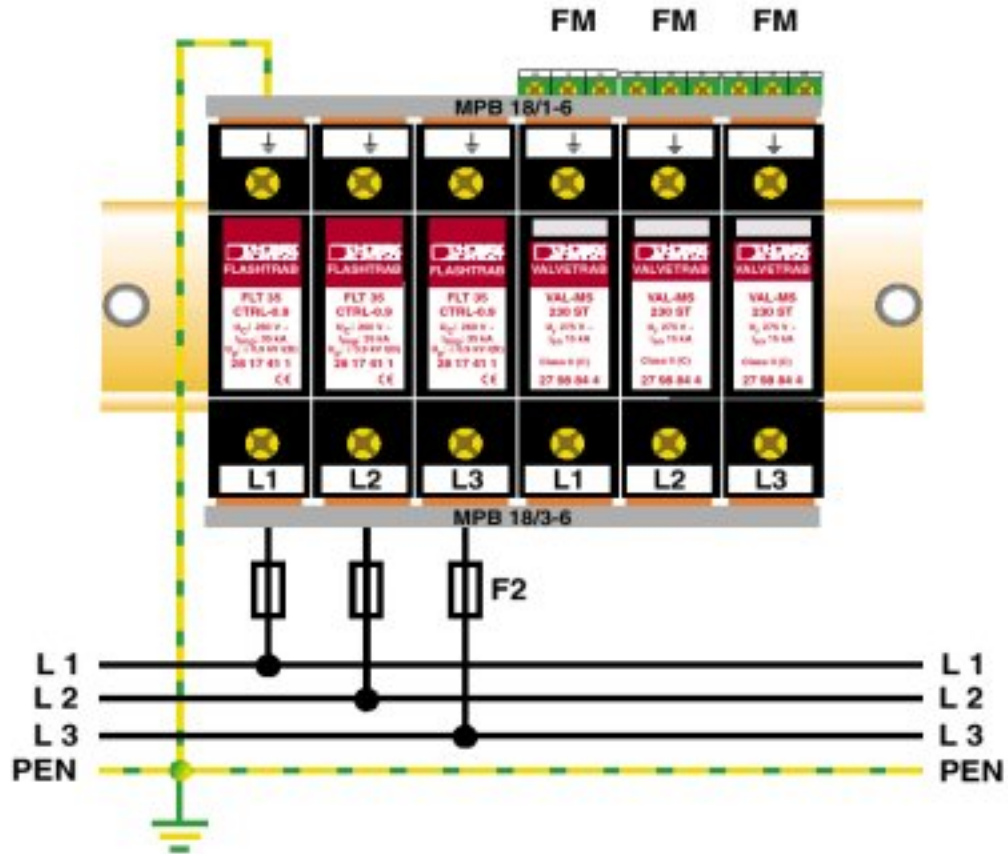
# Type 1/2 surge protection device - POWERSET BC/3/FM - 2858108

Application drawing



# Type 1/2 surge protection device - POWERSET BC/3/FM - 2858108

Application drawing



# Type 1/2 surge protection device - POWERSET BC/3/FM - 2858108

Circuit diagram

