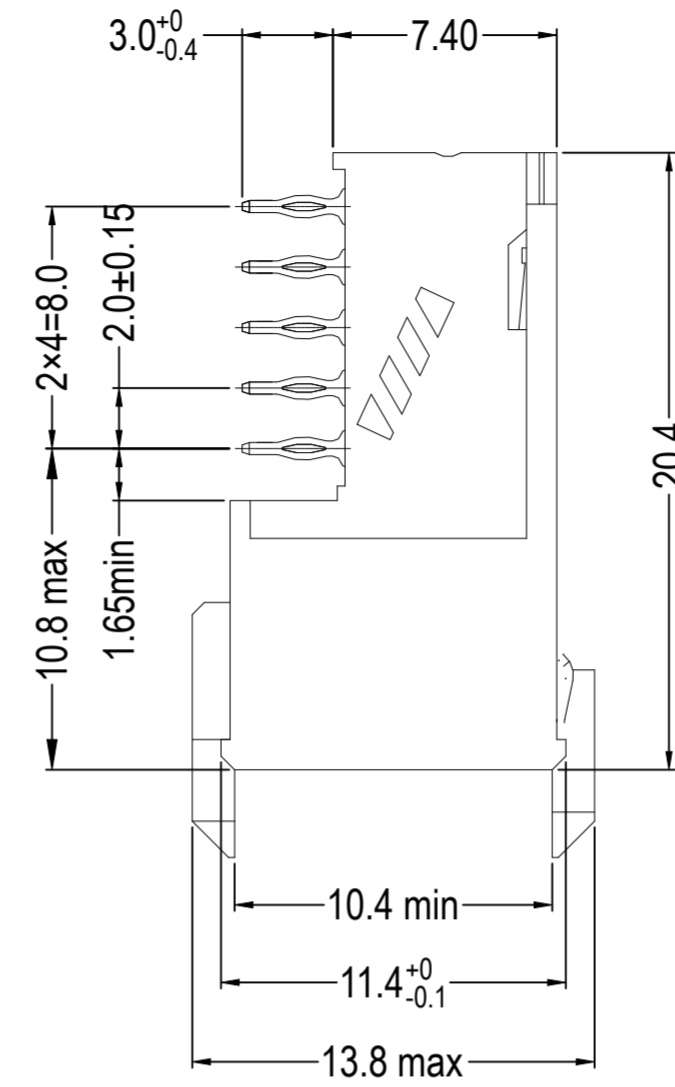
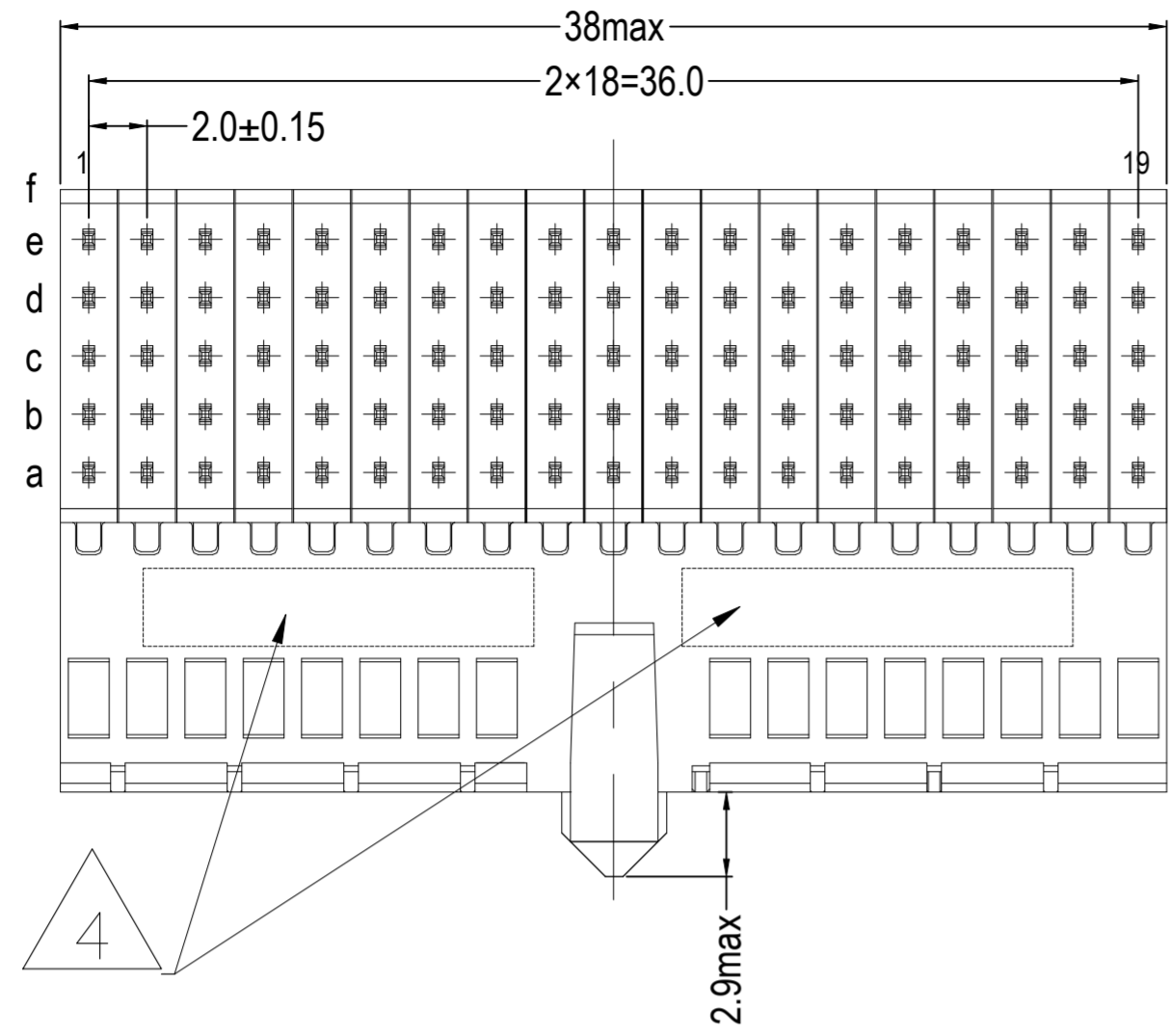
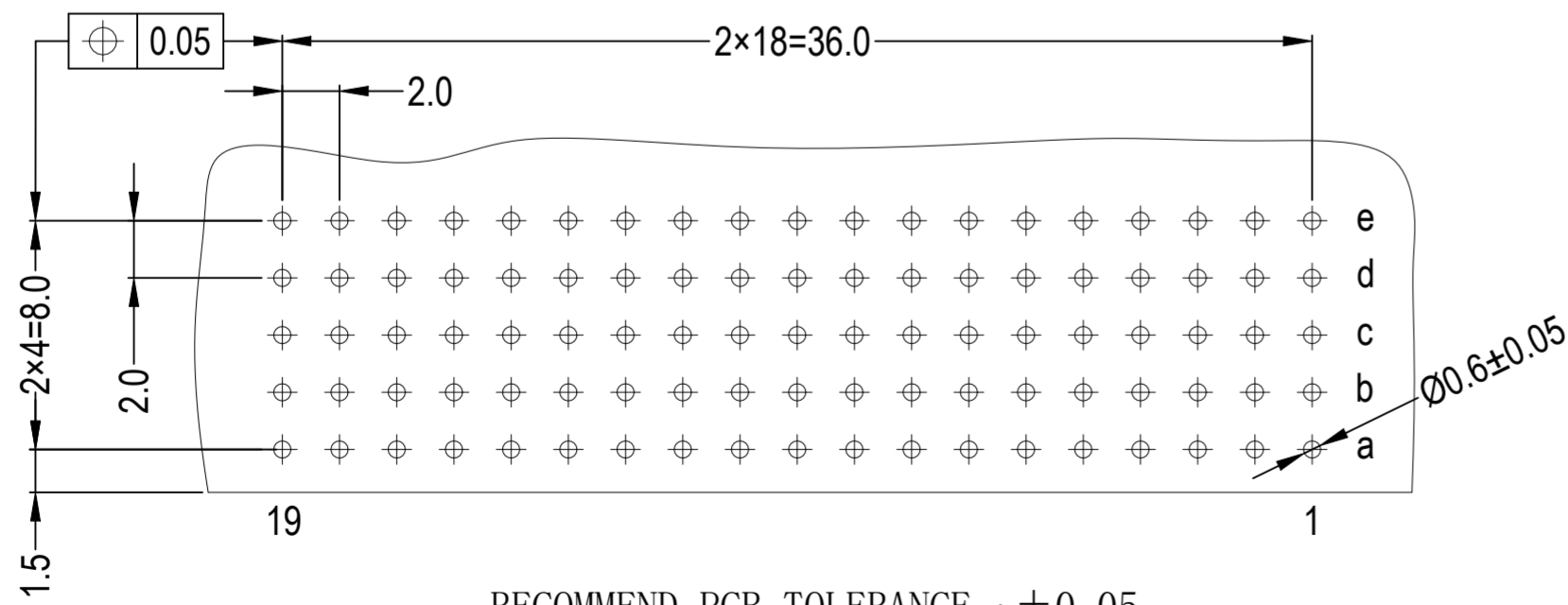
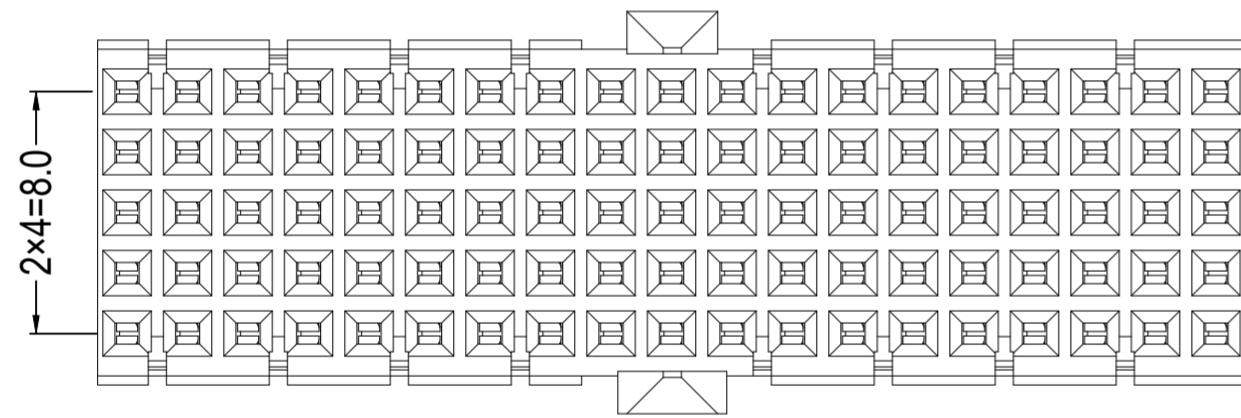


| REVISIONS | | | | | |
|-----------|-----|-----------------|-----------|-----|------|
| P | LTR | DESCRIPTION | DATE | DWN | APVD |
| A | | INITIAL DRAWING | 18OCT2021 | TL | HL |



NOTES:

- ⚠ MATERIAL CONTACTS; COPPER ALLOY
- ⚠ MATERIAL HOUSING; GLASSFILLED POLYESTER
- ⚠ GENERAL PLATING SPECIFICATION: UNDERPLATING (ENTIRE CONTACT): 1,27µm NICKEL MIN. AND EON PIN: 0,5µm TIN MIN. FOR PLATING OF MATING SURFACES SEE APPLICABLE SPECIFICATION REFERENCE FOR EACH DASH NUMBER.
- ⚠ CONFORMS TO ALL TESTING ACCORDING IEC 61076-4-101 PERFORMANCE LEVEL 2.
- ⚠ ASSEMBLY PRINTED WITH P/N AND DATECODE



RECOMMEND PCB TOLERANCE : ±0.05

| | | | | | |
|---|--|------------------------|--|------------------------------|--|
| FINISH | | MATERIAL | | PART NUMBER | |
| 23 | | TE | | 2392920-1 | |
| THIS DRAWING IS A CONTROLLED DOCUMENT. | | DWN TONY LI 28MAY2021 | | TE Connectivity Ltd. | |
| DIMENSIONS: mm | | CHK ALEX XU 28MAY2021 | | NAME | |
| TOLERANCES UNLESS OTHERWISE SPECIFIED: ±0.2 | | APVD HOPE LU 28MAY2021 | | PRODUCT SPEC | |
| 6-PLC ± | | APPLICATION SPEC | | 108-19082 | |
| 1-PLC ± | | WEIGHT | | 114-160149 | |
| 2-PLC ± | | SIZE | | A2 | |
| 3-PLC ± | | CAGE CODE | | 00779 | |
| 4-PLC ± | | DRAWING NO | | C=2392920 | |
| ANGLES ± | | RESTRICTED TO | | - | |
| FINISH | | CUSTOMER DRAWING | | SCALE 5:1 SHEET 1 of 1 REV A | |