

1

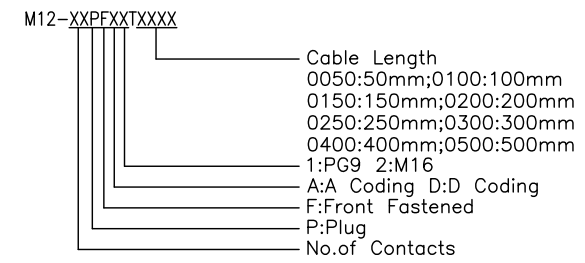
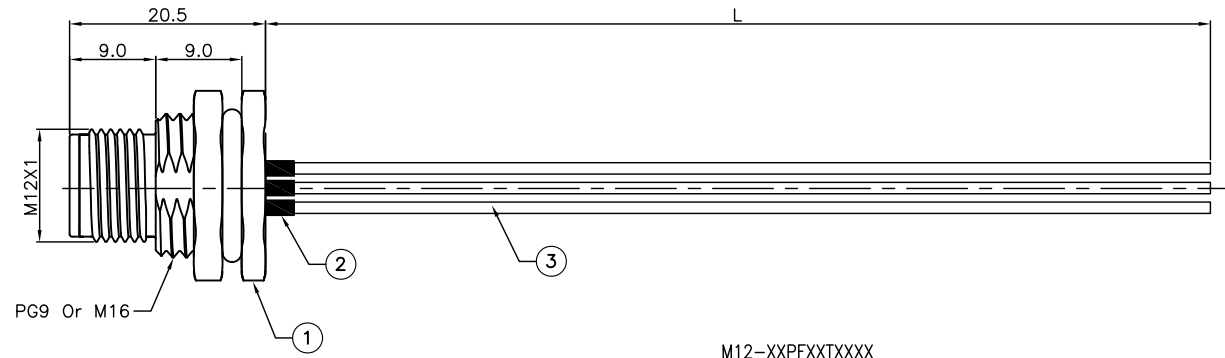
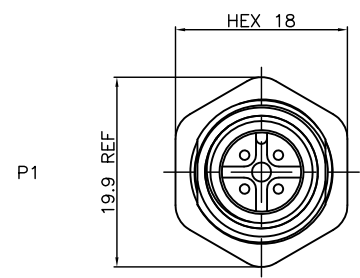
2

3

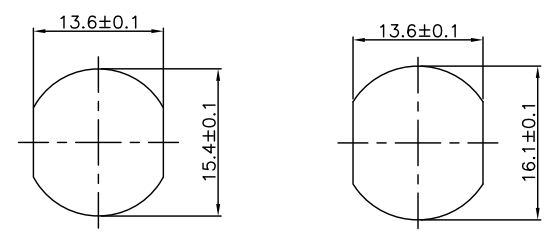
4

5

RoHS Compliant



A Coding						
D Coding						



PG9 Recommended Panel CUT-Out Thickness:4.0mm
M16 Recommended Panel CUT-Out Thickness:4.0mm

ITEM	PART NO.	DESCRIPTION	Q'TY
1	M12-XXP-FX-PMX	M12 Plug Front Fastened Solder Type	1
2	825-H.S-XX-BK	Heat Shrink Tube Color:Black	A/R
3	809-TPEXXTSW-XX	TPE XXAWG Wire Color:XX	A/R

F				
E				
D				
C				
B				
A	01-Jul-2022		Andrew	
REV	DATE	FILE	BY	

DRAWN:	Andrew
CHECKED:	Bill He
APPROVAL:	Bill He
GENERAL TOLERANCE:	.X=±0.50 L≤300=±5 .XX=±0.30 L>300=±10
UNIT:	MM
SCALE:	1:1
SHEET:	1/2
PROJECTION:	

OST
ON-SHORE TECHNOLOGY, INC.

DESCRIPTION:
M12 PLUG FRONT FASTENED WIRE HARNESS

PART NO:
M12-XXPFXTXXXX

A
B
C
D

1

2

3

4

5

RoHS Compliant

2P PIN OUT:

P1	
1	Black
3	Brown

ITEM	PART NO.	DESCRIPTION	Q'TY
1	M12-02P-FX-PMX	M12 2Pin Plug Front Fastened Solder Type	1
2	825-H.S-XX-BK	Heat Shrink Tube Color:Black	A/R
3	809-TPE22TSW-XX	TPE 22AWG Wire Color:XX	A/R

3P PIN OUT:

P1	
1	Black
3	Brown
4	Red

ITEM	PART NO.	DESCRIPTION	Q'TY
1	M12-03P-FX-PMX	M12 3Pin Plug Front Fastened Solder Type	1
2	825-H.S-XX-BK	Heat Shrink Tube Color:Black	A/R
3	809-TPE22TSW-XX	TPE 22AWG Wire Color:XX	A/R

4P PIN OUT:

P1	
1	Black
2	White
3	Brown
4	Red

ITEM	PART NO.	DESCRIPTION	Q'TY
1	M12-04P-FX-PMX	M12 4Pin Plug Front Fastened Solder Type	1
2	825-H.S-XX-BK	Heat Shrink Tube Color:Black	A/R
3	809-TPE22TSW-XX	TPE 22AWG Wire Color:XX	A/R

5P PIN OUT:

P1	
1	Black
2	White
3	Brown
4	Red
5	Yellow

ITEM	PART NO.	DESCRIPTION	Q'TY
1	M12-05P-FX-PMX	M12 5Pin Plug Front Fastened Solder Type	1
2	825-H.S-XX-BK	Heat Shrink Tube Color:Black	A/R
3	809-TPE22TSW-XX	TPE 22AWG Wire Color:XX	A/R

6P PIN OUT:

P1	
1	Black
2	White
3	Brown
4	Red
5	Yellow
6	Blue

ITEM	PART NO.	DESCRIPTION	Q'TY
1	M12-06P-FX-PMX	M12 6Pin Plug Front Fastened Solder Type	1
2	825-H.S-XX-BK	Heat Shrink Tube Color:Black	A/R
3	809-TPE24TSW-XX	TPE 24AWG Wire Color:XX	A/R

7P PIN OUT:

P1	
1	Black
2	White
3	Brown
4	Red
5	Yellow
6	Blue
7	Orange

ITEM	PART NO.	DESCRIPTION	Q'TY
1	M12-07P-FX-PMX	M12 7Pin Plug Front Fastened Solder Type	1
2	825-H.S-XX-BK	Heat Shrink Tube Color:Black	A/R
3	809-TPE24TSW-XX	TPE 24AWG Wire Color:XX	A/R

8P PIN OUT:

P1	
1	Black
2	White
3	Brown
4	Red
5	Yellow
6	Blue
7	Orange
8	Green

ITEM	PART NO.	DESCRIPTION	Q'TY
1	M12-08P-FX-PMX	M12 8Pin Plug Front Fastened Solder Type	1
2	825-H.S-XX-BK	Heat Shrink Tube Color:Black	A/R
3	809-TPE24TSW-XX	TPE 24AWG Wire Color:XX	A/R

9P PIN OUT:

P1	
1	Black
2	White
3	Brown
4	Red
5	Yellow
6	Blue
7	Orange
8	Green
9	Purple

ITEM	PART NO.	DESCRIPTION	Q'TY
1	M12-09P-FX-PMX	M12 9Pin Plug Front Fastened Solder Type	1
2	825-H.S-XX-BK	Heat Shrink Tube Color:Black	A/R
3	809-TPE26TSW-XX	TPE 26AWG Wire Color:XX	A/R

10P PIN OUT:

P1	
1	Black
2	White
3	Brown
4	Red
5	Yellow
6	Blue
7	Orange
8	Green
9	Purple
10	Grey

ITEM	PART NO.	DESCRIPTION	Q'TY
1	M12-10P-FX-PMX	M12 10Pin Plug Front Fastened Solder Type	1
2	825-H.S-XX-BK	Heat Shrink Tube Color:Black	A/R
3	809-TPE26TSW-XX	TPE 26AWG Wire Color:XX	A/R

11P PIN OUT:


P1	
1	Black
2	White
3	Brown
4	Red
5	Yellow
6	Blue
7	Orange
8	Green
9	Purple
10	Grey
11	Pink

ITEM	PART NO.	DESCRIPTION	Q'TY
1	M12-11P-FX-PMX	M12 11Pin Plug Front Fastened Solder Type	1
2	825-H.S-XX-BK	Heat Shrink Tube Color:Black	A/R
3	809-TPE26TSW-XX	TPE 26AWG Wire Color:XX	A/R

12P PIN OUT:

P1	
1	Black
2	White
3	Brown
4	Red
5	Yellow
6	Blue
7	Orange
8	Green
9	Purple
10	Grey
11	Pink
12	Light Green

ITEM	PART NO.	DESCRIPTION	Q'TY
1	M12-12P-FX-PMX	M12 12Pin Plug Front Fastened Solder Type	1
2	825-H.S-XX-BK	Heat Shrink Tube Color:Black	A/R
3	809-TPE26TSW-XX	TPE 26AWG Wire Color:XX	A/R

F				DRAWN: Andrew	GENERAL TOLERANCE:			
E					CHECKED: Bill He	.X=±0.50		L≤300=±5
D				APPROVAL: Bill He		.XX=±0.30	L>300=±10	DESCRIPTION: M12 PLUG FRONT FASTENED WIRE HARNESS
C					A	01-Jul-2022	Andrew	
B				REV		DATE	FILE	BY