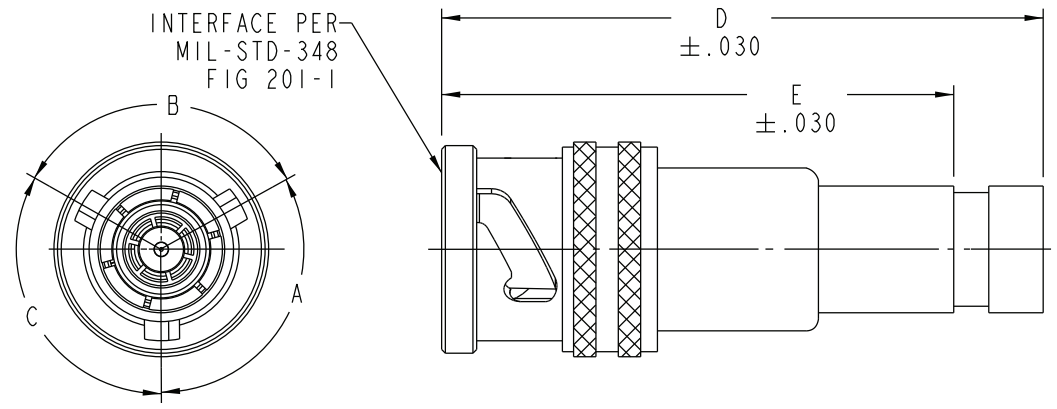


| REVISIONS | | | |
|-----------|--------------|---------|------------|
| REV | DESCRIPTIONS | DATE | APPROVED |
| H | ECO 53315 | 5-13-11 | C. MONAHAN |

| DASH NO. | CABLES ACCOMODATED | ASSEMBLE PER | DIM "D" | DIM "E" |
|----------|---------------------------------------|--------------|---------|---------|
| -201 | M17/176-00002 | TA1-201 | 1.540 | 1.375 |
| -202 | TWC-78-1 | | | |
| -203 | TWC-124-1A | | | |
| -204 | 10602, RAYCHEM | | | |
| -205 | TWAC-78-1F2 | | | |
| -206 | 7826D0130, RAYCHEM | | | |
| -207 | 83310, BELDEN | | | |
| -208 | 202-3927, MICRODOT | | | |
| -209 | 202-3942, MICRODOT | | | |
| -210 | 8451, BELDEN | | | |
| -211 | 202-3934, MICRODOT | | | |
| -212 | 2524E0114, RAYCHEM | | | |
| -213 | TWC-78-2, M17/45-RG108 | | | |
| -214 | TWC-124-2 | | | |
| -215 | BL982, TIMES | | | |
| -216 | BL1242, TIMES | | | |
| -217 | M27500-22 RC2S06 | | | |
| -218 | EDP221888, RAYCHEM | | | |
| -219 | 252601114, RAYCHEM | | | |
| -220 | GC875RR1, GRUMMAN | | | |
| -221 | 10614, RAYCHEM GC875TM24H, GRUMMAN | | | |
| -222 | 10613, RAYCHEM | | | |
| -223 | HMS2-1149, HUGHES | | | |
| -224 | TWCP-124-3 | | | |
| -225 | PS665PL, PRIME STOCK | | | |
| -226 | TWCP-124-5 | TA1-209 | 1.660 | 1.495 |

| KEY LETTER | A DEGREES | B DEGREES | C DEGREES | COLOR BAND |
|------------|-----------|-----------|-----------|------------|
| NONE | 120° | 120° | 120° | NONE |
| T | 100° | 150° | 110° | RED |
| U | 120° | 130° | 110° | ORANGE |
| V | 115° | 130° | 115° | YELLOW |
| W | 125° | 110° | 125° | GREEN |
| X | 130° | 100° | 130° | BLUE |
| Y | 110° | 140° | 110° | VIOLET |
| Z | 100° | 160° | 100° | GRAY |
| S | 135° | 135° | 90° | WHITE |



I. EXAMPLE OF COMPLETE MODEL NO:
 BASIC MODEL NO. PL75MC T - 201
 POLARIZATION LETTER T
 NONE REQD FOR STD POLARIZATION (SEE TABLE 2)
 CABLE GROUP DASH NO (SEE TABLE 1)

NOTES: UNLESS OTHERWISE SPECIFIED.

| | | | | |
|--|--------------------------|---|--------------|---|
| INTERPRET DRAWING PER MIL-STD-100. DIMENSIONS ARE IN INCHES AND INCLUDE FINISH THICKNESS UNLESS OTHERWISE SPECIFIED. | | TOL: UNLESS SPECIFIED. .XX ± .005 .XXX ± .010 .XXXX ± .015 ANGLE ± .015 | | <p>Cinch Connectivity Solutions 299 Johnson Ave. Ste. 100 Waseca, MN 56093 1-800-247-8256</p> |
| DRW L. MCLENNAN 6-28-11 | QUALITY | MATERIAL: | FINISH: | |
| N/A | BLANK LENGTH (REF. ONLY) | TITLE: PL75MC/T/U/V/W/X/Y/Z/S | | SIZE CAGE CODE B 14949 |
| N/A | APPROVED | DRAWING NO. 3-0285 | | REV. H |
| SURFACE AREA | PROJ. FILE NO. 3-0285 | DO NOT SCALE DWG | SCALE 6/1 | DATE 4/6/94 |
| | | | SHEET 1 OF 3 | |