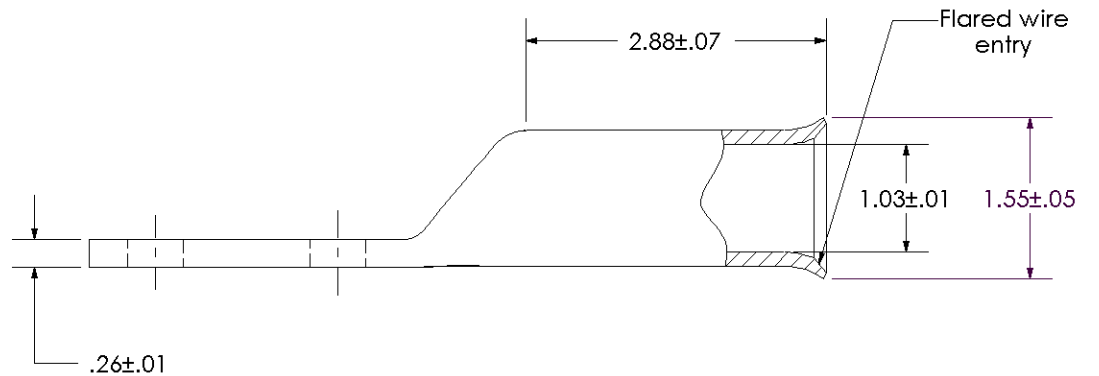
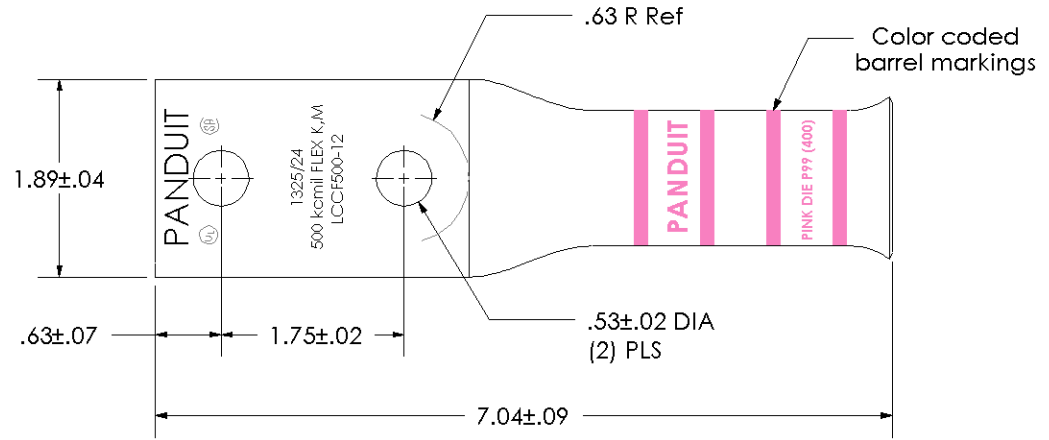


THIS COPY IS PROVIDED ON A RESTRICTED BASIS AND IS NOT TO BE USED IN ANY WAY DETRIMENTAL TO THE INTERESTS OF PANDUIT CORP.

Material	High Conductivity Seamless Copper Tube
Plating	Electro-Tin
Wire Size & Type	Stranded Copper Flex Cable; 535.3 kcmil (1325/24) Diesel Locomotive, 500 kcmil Class K & Class M
Wire Strip Length	2-15/16 in.
Stud Size	1/2 in.
UL Listed Wire Connector	Yes, for applications up to 35kv. Consult cable manufacturer for voltage stress relief instructions with applications greater than 2000 volts.
UL Temperature Rating	90° C
C.S.A Certified Wire Connector	Yes
Panduit Color Code on Barrel	PINK
Panduit Die Index No. on Barrel	P99
Alternate Industry Die Index No. () on Barrel	(400)



PANDUIT CORP. TINLEY PARK, ILLINOIS

LCCF500-12-6
Copper Lug - Two-Hole, Flared Long Barrel

00	7-03	PWS	PWS
REV	DATE	BY	CHK

RELEASED

11001

DESCRIPTION

ECN

SCALE
N/A

DRAWING NO / CAD FILE

LCCF500-12-CUST