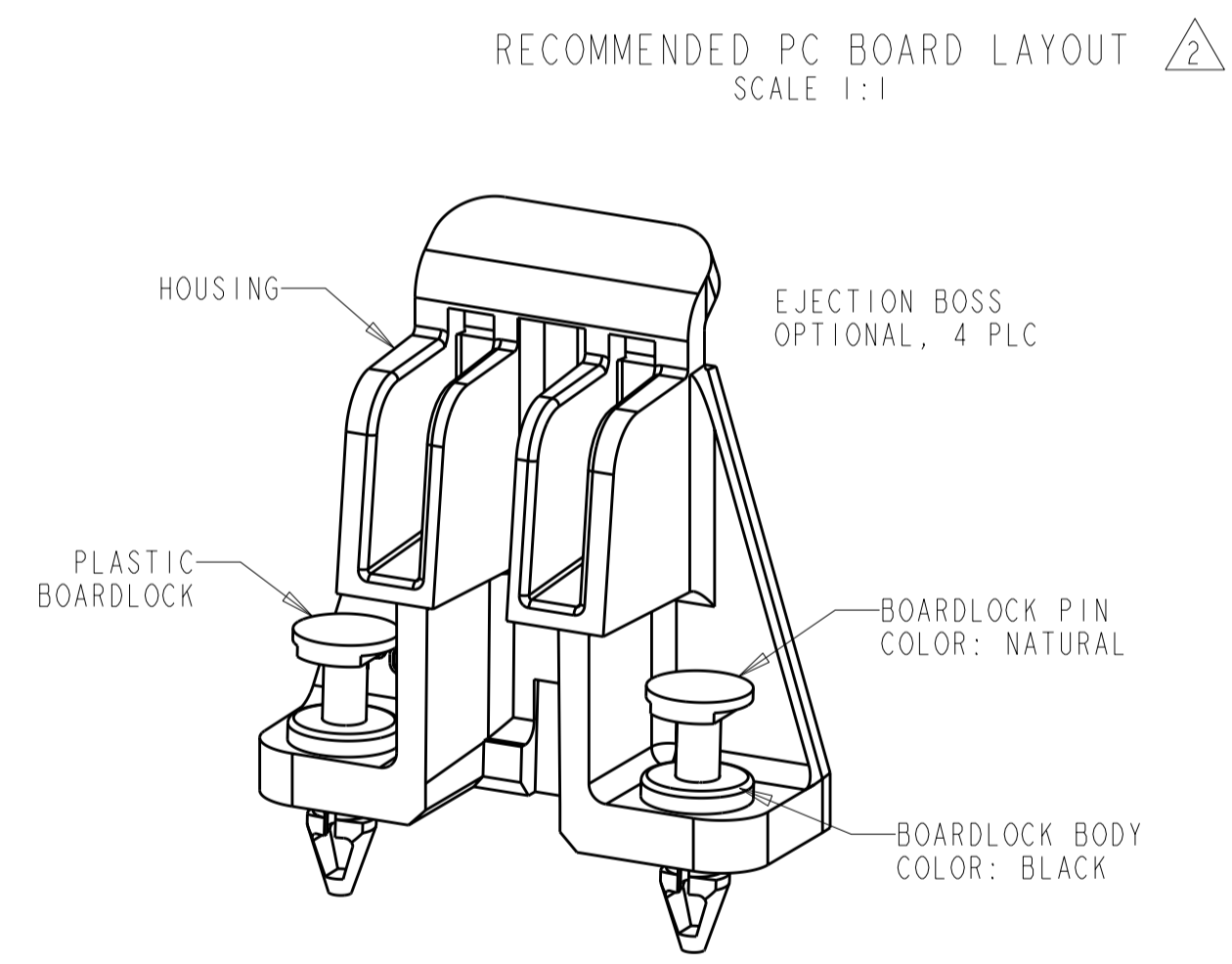
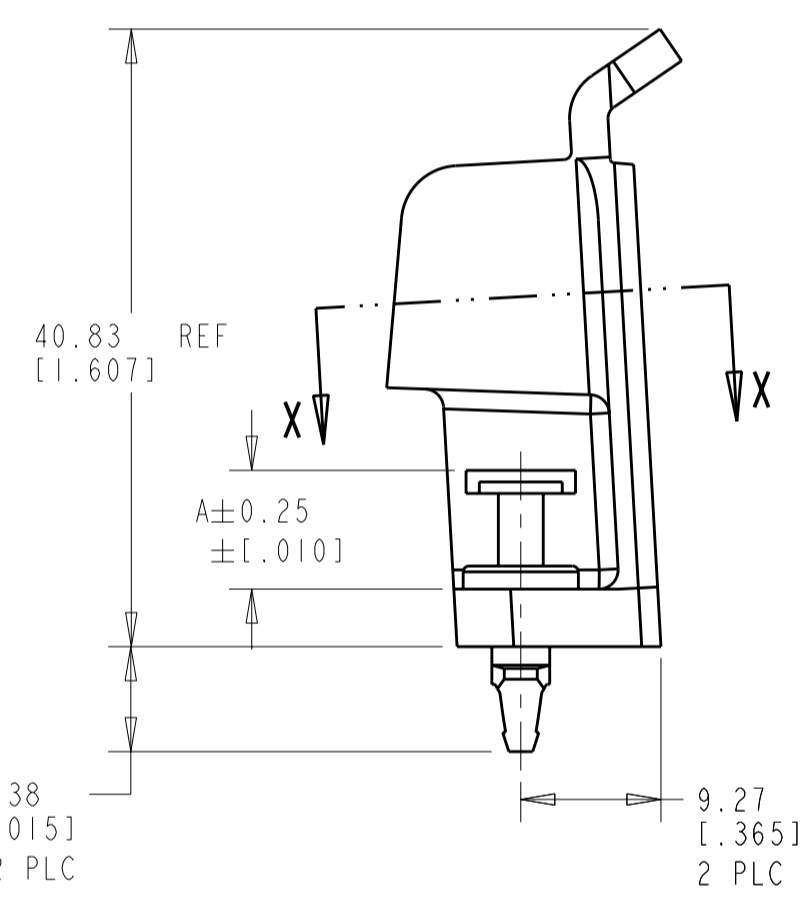
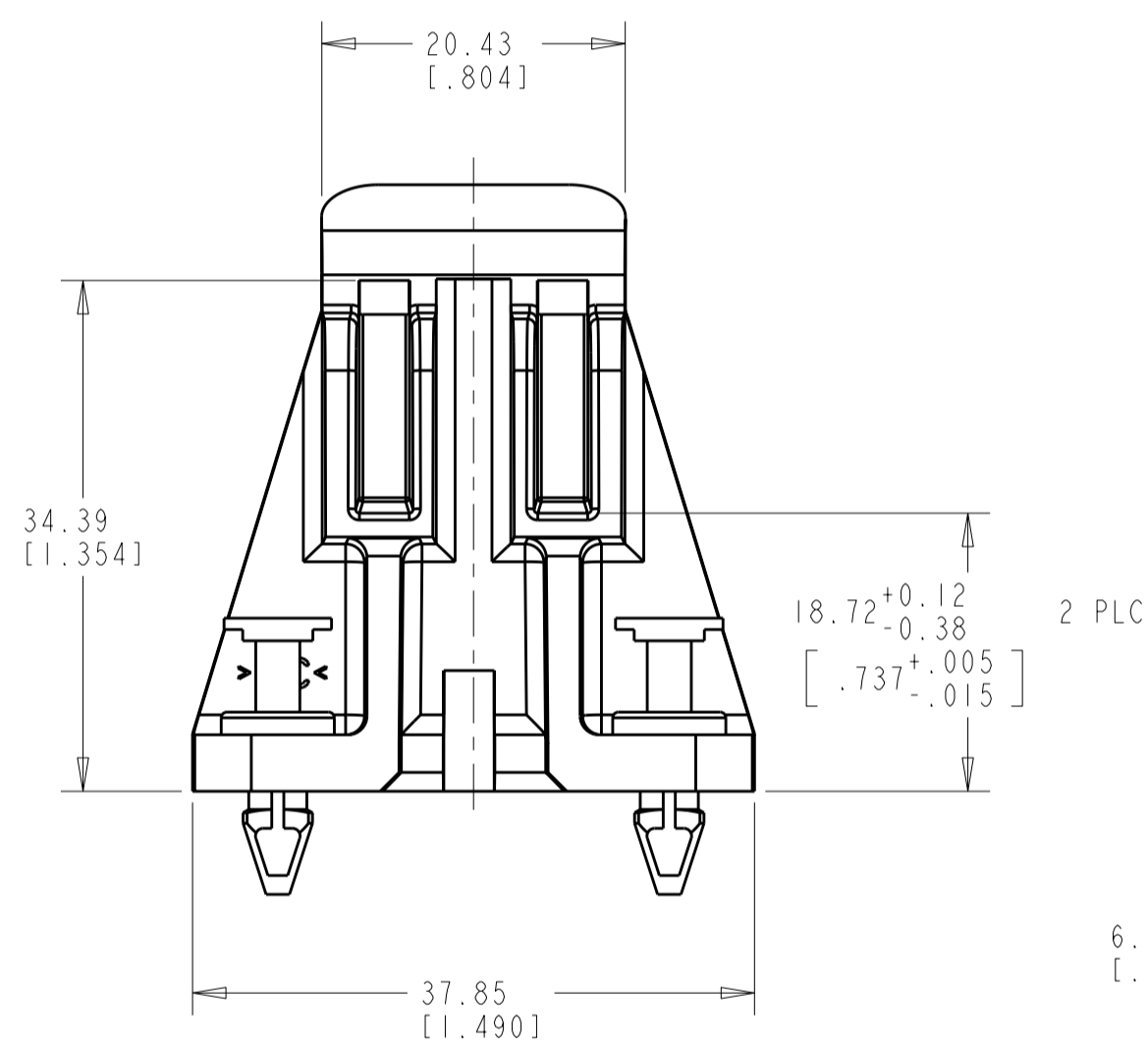
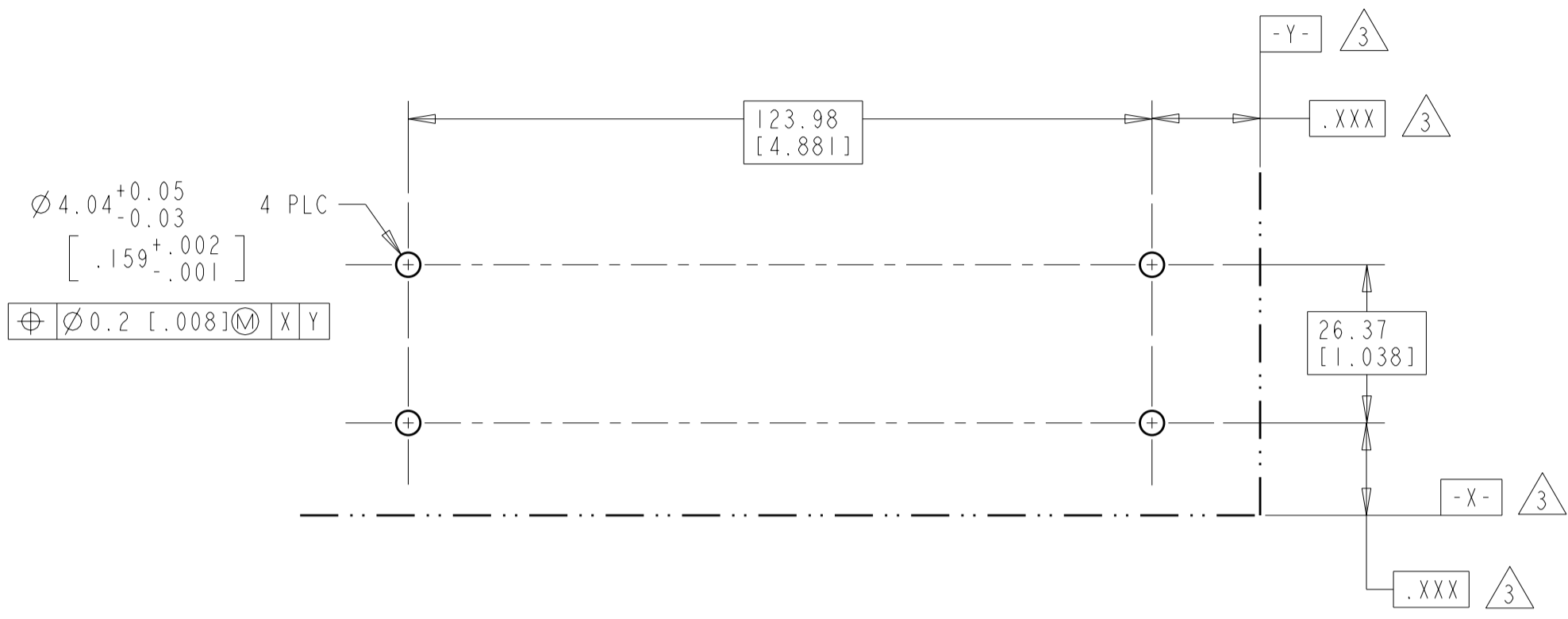
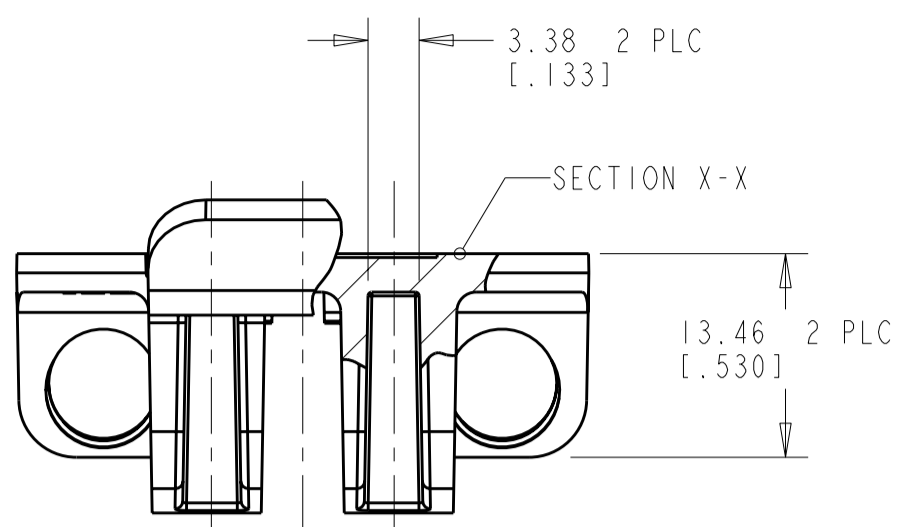
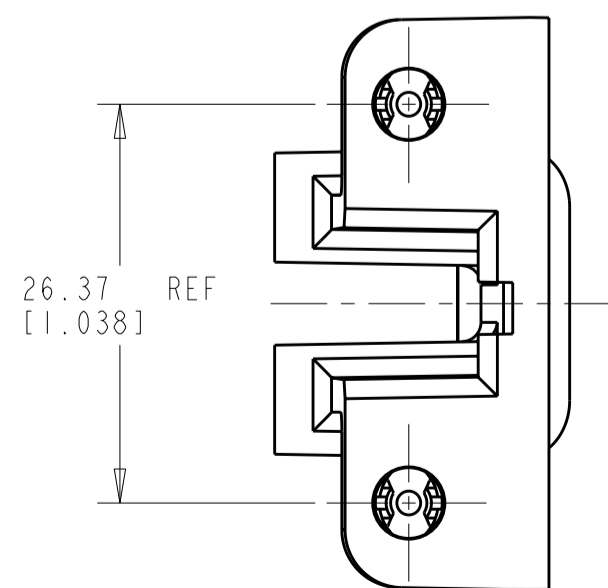


THIS DRAWING IS UNPUBLISHED. RELEASED FOR PUBLICATION .19
 © COPYRIGHT 19 BY AMP INCORPORATED. ALL RIGHTS RESERVED.

LOC	DIST	REVISIONS			
F	LTR	DESCRIPTION	DATE	DWN	APVD
A		REVISED PER EC 0651-0060-98	15MAY98	AV	VR
B		REVISED PER EC 0651-0114-98	16JUL98	AV	VR
C		REVISED PER EC 0S1B-0129-99	09DEC99	JG	MB
CI		REVISED PER ECO-09-027197	10DEC2009	KK	AEG



MODULE



- 1 MATERIAL:
HOUSING- UL 94-VO RATED POLYCARBONATE. COLOR: BLACK.
PLASTIC BOARDLOCK- NYLON.
- 2 RECOMMENDED PC BOARD THICKNESS OF 1.57±0.15[.062±.006].
- 3 DATUM AND BASIC DIMENSIONS ESTABLISHED BY CUSTOMER.
- 4 145333-1 IS COMPLETE 2 MODULE KIT, REQUIRED FOR ONE PROCESSOR.
- 5 145333-2 IS ONLY ONE MODULE, 2 MODULES ARE REQUIRED FOR ONE PROCESSOR.
- 6 OBSOLETE PARTS: OBSOLETE CIS STREAMLINING PER D.RENAUD/D.SINISI

6	OBSOLETE	9.50[.374]	1 MODULE WITH BOARDLOCKS	5	145333-3
		7.85[.309]	1 MODULE WITH BOARDLOCKS	5	145333-2
		7.85[.309]	2 MODULES WITH BOARDLOCKS	4	145333-1
A		DESCRIPTION	PART NUMBER		

THIS DRAWING IS A CONTROLLED DOCUMENT FOR AMP INCORPORATED. IT IS SUBJECT TO CHANGE AND THE CONTROLLING ENGINEERING ORGANIZATION SHOULD BE CONTACTED FOR THE LATEST REVISION.		DWN A_VASBINDER 22APR98	AMP Incorporated Harrisburg, PA 17105-3608	
DIMENSIONS: mm[INCHES]		CHK A_VASBINDER 22APR98	NAME RETENTION MODULE ASSEMBLY KIT, LOW COST, PLASTIC FASTENERS	
TOLERANCES UNLESS OTHERWISE SPECIFIED: 0 PLC ± 1 PLC ± 2 PLC ±0.13[.005] 3 PLC ± 4 PLC ± ANGLES ±° FINISH -		APVD V_RUMINSKI 22APR98	PRODUCT SPEC 108-1826	
MATERIAL		APPLICATION SPEC 114-26015	SIZE A2	CAGE CODE 00779
		WEIGHT	DRAWING NO C-145333	RESTRICTED TO
		CUSTOMER DRAWING	SCALE 2:1	SHEET OF 1

145333