

Customer Information Sheet

DRAWING No.: C90-00X-XXXX

IF IN DOUBT - ASK

©

NOT TO SCALE

THIRD ANGLE PROJECTION

ALL DIMENSIONS IN mm

SPECIFICATIONS:

MATERIAL:

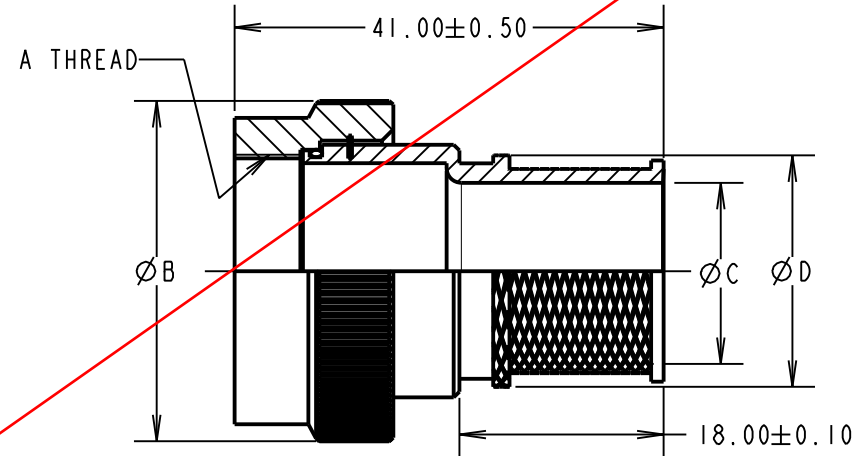
SHELL: ALUMINIUM ALLOY

O-RING: SILICONE

FINISH:

SHELL: 5-12µ ZINC NICKEL BLACK PASSIVATE OVER 8-12µ NICKEL

OBSOLETE



NOTES:

1. USE 'BAND-IT' TIE DEX MICRO BAND TOOL FOR BAND CRIMPING.
2. TOLERANCES ARE ± 0.10 UNLESS OTHERWISE STATED.
3. FOR SPRING ADAPTOR ASSEMBLY INSTRUCTIONS SEE IS-31.

SHELL SIZE	A THREAD	B MAX	C MAX	D MAX
10SL	5/8-24UNEF	23.00	7.92	15.56
12S	11/16-24UNEF	26.00	7.92	15.56
14S	3/4-20UNEF	30.50	11.12	18.76

ORDER CODE:

C90-00X-XXXX

TERMINATION STYLE

1 = BAND

2 = SPRING

SHELL SIZE = 10SL, 12S, 14S

SM	4	16.09.10	10940
NAME	ISS.	DATE	C/NOTE
APPROVED: S. MCCULLAGH			
CHECKED:		R. ADDE	
DRAWN:		R. ADDE	
CUSTOMER REF.:			
ASSEMBLY DRG:			

HARWIN

THIS DRAWING AND ANY INFORMATION OR DESCRIPTIVE MATTER SET OUT HEREON ARE CONFIDENTIAL AND COPYRIGHT PROPERTY OF THE HARWIN GROUP AND MUST NOT BE DISCLOSED, LOANED, COPIED OR USED FOR MANUFACTURING, TENDERING OR FOR ANY OTHER PURPOSE WITHOUT THEIR WRITTEN PERMISSION.

TOLERANCES

X = ± 1 mm
 X.X = ± 0.25 mm
 X.XX = ± 0.10 mm
 X.XXX = ± 0.01 mm
 ANGLES = $\pm 5^\circ$
 UNLESS STATED

MATERIAL:

SEE ABOVE

FINISH:

SEE ABOVE

S/AREA:

mm²

TITLE:

SCREENING BRAID ADAPTOR

DRAWING NUMBER:

C90-00X-XXXX

SHT

2

OF 2

HARWIN USA
 TEL: 603 893 5376
 FAX: 603 893 5396
 mis@harwin.com

HARWIN Europe (UK)
 TEL: 023 9231 4545
 FAX: 023 9231 4590
 mis@harwin.co.uk

HARWIN Asia
 TEL: +65 6 779 4909
 FAX: +65 6 779 3868
 mis@harwin.com.sg